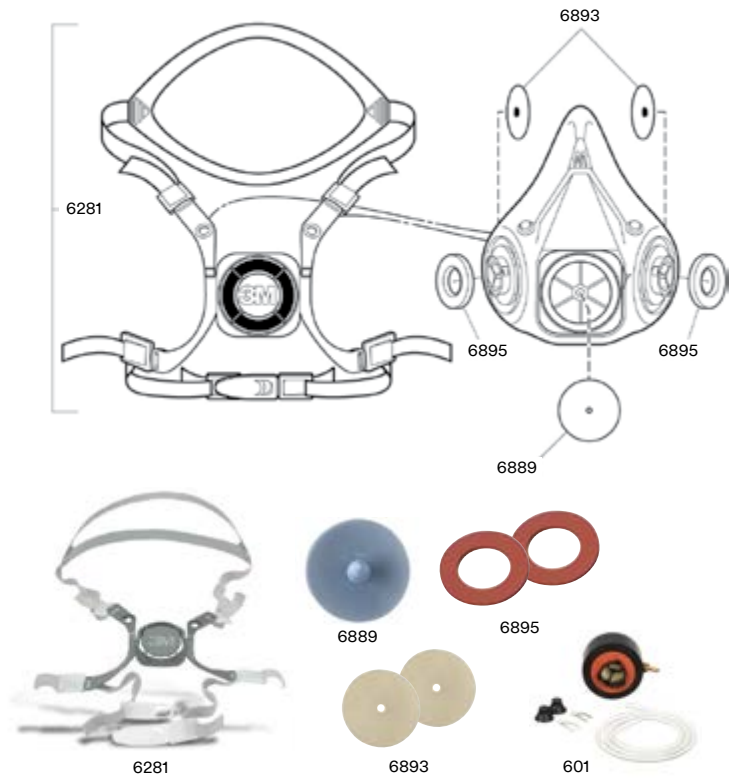


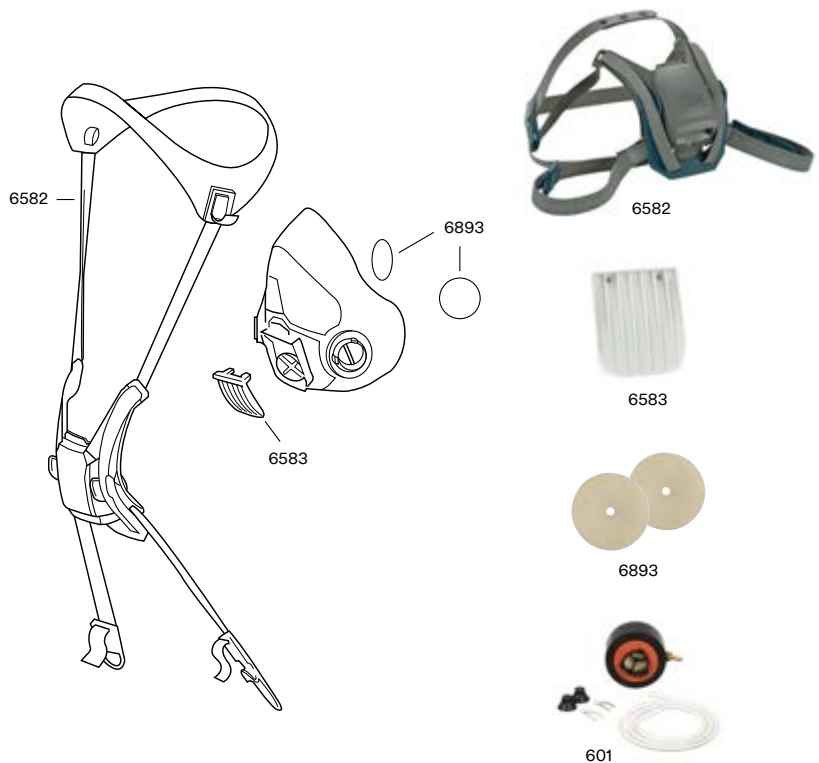
# Reusable Respirators 3M™ Bayonet Parts & Accessories

## 3M™ Reusable Respirator Half Face Accessories 6000



SAP ID	Legacy ID	Availability		Model #	Description
		AUS	NZ		
7000029677	70070846087	•	•	6281	3M™ Head Harness Assembly 6281–EUR, 20 ea/Case
7000002057	70070757656	•	•	6889	3M™ Exhalation Valve 6889/07143(AAD), 10 ea/Bag
7000002049	70070710986	•	•	6893	3M™ Inhalation Valve 6893/07144(AAD), System Component 200 EA/Case
7000002050	70070710994	•	•	6895	3M™ Reusable Respirator Gasket 6895, for 3M™ Reusable Full Face Mask 6000 Series, 4 Packs/Case
7000001945	70070406544	•	•	601	3M™ Fit Test Adapter 601, 1 ea/Case. 3M Bayonet QNFT-CNC

## 3M™ Half Face Respirator Accessories 6500QL



SAP ID	Legacy ID	Availability		Model #	Description
		AUS	NZ		
7100020701	70071668175	•	•	6582	3M™ Quick Latch Head Harness Assembly 6582QL, 20/Case
7100018862	70071668183	•	•	6583	3M™ Rugged Comfort Exhalation Valve 6583, 10/Case
7000002049	70070710986	•	•	6893	3M™ Inhalation Valve 6893/07144(AAD), System Component 200 EA/Case
7000001945	70070406544	•	•	601	3M™ Fit Test Adapter 601, 1 ea/Case. 3M Bayonet QNFT-CNC

Please note not all parts and accessories are stocked or active in our system. Please contact 3M sales rep or customers service for further clarification.