

3M™ Water Filtration Products

# 3M™ High Flow Series Replacement Cartridge, HF10-I

3M™ High Flow Series Replacement Cartridge, HF10-I, helps to improve the taste, appearance and consistency of your beverage at flow rate up to 3.8 litres per minute (lpm).



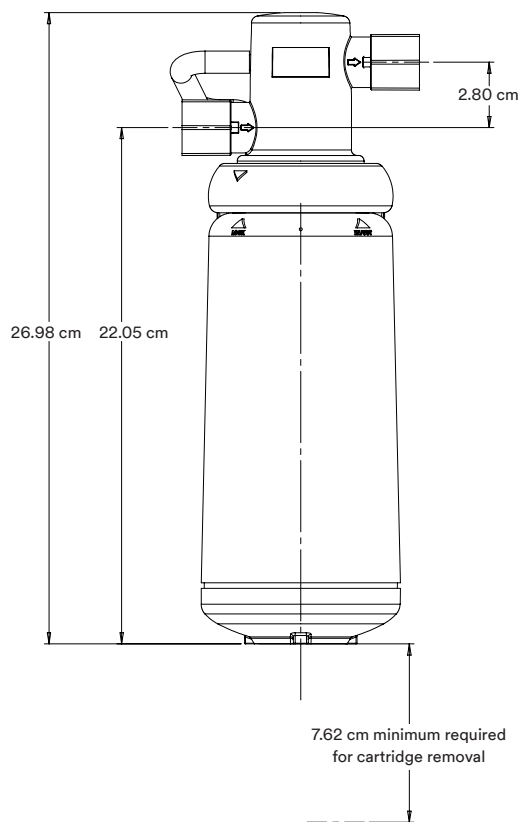
## Product Benefits:

- Consistent high-quality great tasting beverages for continued customer satisfaction
- Contains, Integrated Membrane Pre-Activated Carbon Technology (“I.M.P.A.C.T.”)
- Filter media contains an antimicrobial agent, silver, to protect the filter’s performance
- Certified by NSF to Standard 53 for cyst<sup>1</sup> reduction
- Certified to NSF Standard 42 for chlorine, taste and odour reduction
- NSF certified 3M Purification Inc. Commercial Modular High Flow Series
- Reduction of up to 99.99% of common waterborne bacteria by membrane filtration as tested by 3M Purification Inc<sup>2</sup>
- Reduction of particulate helps prevent equipment wear and helps extend the life of pumps, valves, O-rings and seals
- Valve-in-head design simultaneously shuts off and vents water, allowing for simple and virtually trouble-free cartridge change-outs without the need to shut off the upstream feed water.
- Sanitary Quick Change (SQC) encapsulated cartridge design reduces media contamination during change-outs
- This cartridge uses a VH3 head, which can be supplied with 3/8 BSPT or 3/8 female JG pushfit.

# 3M™ High Flow Series Replacement Cartridge, HF10-I

## Product Specifications:

- Temperature: 4.4°–37.8°C
- Pressure: 172–862 kPa



## Specifications:

- Head assembly are available with integral mounting bracket, and Inlet and outlet plumbing connections 3/8" BSPT or JG.
- System incorporates an internal automatic 1/4 turn shut-off valve.
- Filter cartridges are O-ring seal type.
- System maximum operating pressure of 862 kPa (125 psi) and operating temperature of 37.8 °C (100 °F).
- Recommended service flow rate is up to 3.8 lpm (1.0 gpm).
- Filter cartridges incorporate a carbon block filtration medium that contains an antimicrobial agent, silver, to protect the filter's performance.
- Certified to NSF 42.
- Certified to NSF 53.
- Cartridges are sanitary in design, requiring no contact with the filter media during cartridge change-out.
- Filter cartridges require no pre-activation.
- NSF Performance Data Sheet (PDS) is included.
- Cartridge weight with the head: 820 g
- Cartridge weight without the head: 670 g

## Important Installation Tips:

These installation tips are for informational purposes only and are not intended to be used as actual installation instructions.

### ⚠️ WARNING: To reduce the risk associated with the ingestion of contaminants:

- **DO NOT use with water that is microbiologically unsafe or of unknown quality without adequate disinfection before or after the system.** Systems certified for cyst reduction may be used on disinfected water that contain filterable cysts.

### ⚠️ CAUTION: To reduce the risk associated with property damage due to water leakage:

- **Read and follow** Use Instructions before installation and use of this system.
- System installation and use **MUST** comply with local regulations.
- **Protect from freezing**, remove filter cartridge when temperatures are expected to drop below 4.4°C.
- **DO NOT install on hot water supply lines.** The maximum operating water temperature of this filter system is 37.8°C.
- **DO NOT install** if water pressure exceeds 862 kPa. If your water pressure exceeds 552 kPa, you must install a pressure limiting valve. Contact a plumbing professional if you are uncertain how to check your water pressure.
- **DO NOT install** where water hammer conditions may occur. If water hammer conditions exist you must install a water hammer arrester. Contact a plumbing professional if you are uncertain how to check for this condition.
- The disposable filter cartridge **MUST** be replaced every twelve (12) months, at the rated capacity or sooner if a noticeable reduction in flow rate occurs.

Model Number	3M ID	Part Number	Micron Rating	Claims	Flow Rate	Capacity	Application	Sizing
HF10-I	7100337796	5640601	0.2	Cyst <sup>1</sup> , Bacteria <sup>2</sup> , Particulate, Chlorine Taste and Odour	3.8 lpm	11,356 litres	Most Standard Water	For single carbonator dispensers – low volume

1. Based on the use of Cryptosporidium parvum oocysts. Certified to NSF Standard 53 for Cyst reduction.
2. Reduction of water-borne bacteria as demonstrated with 99.99% reduction of surrogate E.coli (ATCC 11229) and P.fluorescens (ATCC 49642) in manufacturer's laboratory test.

## Product Selection and Use:

Many factors beyond 3M's control and uniquely within user's knowledge and control can affect the use and performance of a 3M product in a particular application. As a result, customer is solely responsible for evaluating the product and determining whether it is appropriate and suitable for customer's application, including conducting a workplace hazard assessment and reviewing all applicable regulations and standards (e.g., OSHA, ANSI, etc.). Failure to properly evaluate, select, and use a 3M product and appropriate safety products, or to meet all applicable safety regulations, may result in injury, sickness, death, and/or harm to property.

## Warranty, Limited Remedy and Disclaimer:

Unless a different warranty is specifically stated on the applicable 3M product packaging or product literature (in which case such warranty governs), 3M warrants that each 3M product meets the applicable 3M product specification at the time 3M ships the product. 3M MAKES NO OTHER WARRANTIES OR CONDITIONS, EXPRESS OR IMPLIED, INCLUDING, BUT NOT LIMITED TO, ANY IMPLIED WARRANTY OR CONDITION OF MERCHANTABILITY, FITNESS FOR A PARTICULAR PURPOSE, OR ARISING OUT OF A COURSE OF DEALING, CUSTOM, OR USAGE OF TRADE. If a 3M product does not conform to this warranty, then the sole and exclusive remedy is, at 3M's option, replacement of the 3M product or refund of the purchase price.

## Limitation of Liability:

Except for the limited remedy stated above, and except to the extent prohibited by law, 3M will not be liable for any loss or damage arising from or related to the 3M product, whether direct, indirect, special, incidental, or consequential (including, but not limited to, lost profits or business opportunity), regardless of the legal or equitable theory asserted, including, but not limited to, warranty, contract, negligence, or strict liability.



### 3M Health Care

Charnwood Campus  
10 Bakewell Road  
Loughborough  
Leicestershire  
LE11 5RB United Kingdom  
[www.3m.uk/waterquality](http://www.3m.uk/waterquality)



System tested and certified by NSF international against NSF/ANSI 42 and 53 for the reduction of the claims specified on the Performance Data Sheet and against CSA B483.1.



This model is certified by the Water Quality Association to WQA/ASPE/ANSI S-803 for Sustainability

3M is a trademark of 3M Company.  
NSF is a trademark of NSF International.  
WQA is a trademark of Water Quality Association.  
© 2024 3M Company. All rights reserved.  
REV 1024