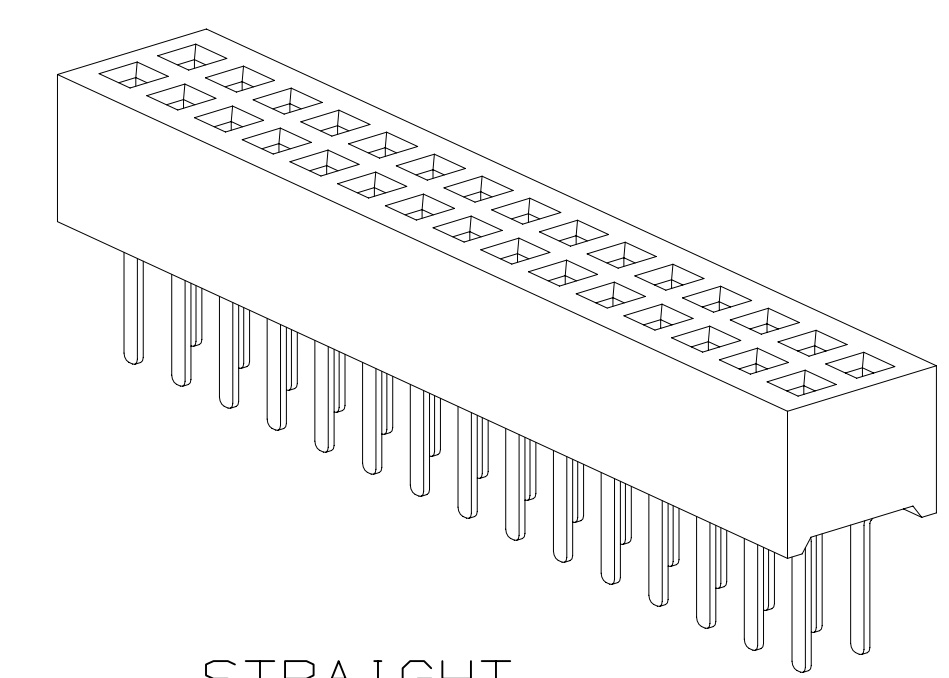


3M™ DIP BOARDMOUNT SOCKET, .039" (1.00MM), 999 SERIES
 DUAL ROW, STRAIGHT BOARDMOUNT SOCKET

- NOTES
- REGULATORY INFORMATION:
VISIT 3M.com/regs
 - IN THE EVENT OF CONFLICT BETWEEN THIS DATA AND THAT CONTAINED IN THE PRODUCT SPECIFICATION, THE PRODUCT SPECIFICATION TAKES PRECEDENT.



STRAIGHT
VERSION

2 PHYSICAL :

INSULATOR: PA9T
 MATERIAL: PA9T
 FLAMMABILITY: UL94V-0
 COLOR: BLACK
 CONTACT: COPPER ALLOY
 MATERIAL: COPPER ALLOY
 PLATING: NICKEL-OVERALL
 UNDER PLATING: 1.27µm (50µ") AVG. NICKEL-OVERALL
 WIPING AREA: GOLD FLASH
 SOLDER TAILS: GOLD FLASH

2 ELECTRICAL :

CURRENT RATING: 1A, ALL LINES
 CONTACT RESISTANCE: ≤20mΩ, Δ ≤20m Ohm
 INSULATION RESISTANCE: ≥1000MΩ
 WITHSTANDING VOLTAGE: 500Vr.m.s., 1mA, 60s

2 MECHANICAL :

INSERTION FORCE: ≤1.2N/PIN
 EXTRACTION FORCE: ≥0.2N/PIN

2 ENVIRONMENTAL :

WORKING TEMP: -55° C TO +125° C
 HUMIDITY: ≤93% AT 40° C
 RESISTANCE TO SOLDERING HEAT: 265° C±5° C, 10s (PER J-STD-020C)

3M ELECTRONICS MATERIALS SOLUTIONS DIVISION
 INTERCONNECT SOLUTIONS
<http://www.3M.com/interconnect>
 3M IS A TRADEMARK OF 3M COMPANY.
 FOR TECHNICAL, SALES OR ORDERING
 INFORMATION CALL 800-225-5373

DIMENSIONS: MM [INCHES]
 [INCHES] IS FOR REF. ONLY

REV	ECO	ISSUE DATE AND DESCRIPTION	DRFT	CHKD
A	115072	APR 05, 2024 PRODUCTION RELEASE	JNC	EST
DESIGN REFERENCE	NEXT ASSEMBLY	DRP	DATE	MFG
		CASTIGLIONE	MAR 14, 2024	
APPROVED	DATE	APPRV	DATE	DATE
S. OWEN	APR 05, 2024	ENG SENG TEH	APR 05, 2024	
DIVISION	DIVISION CODE	© 3M COPYRIGHT 2024		
	EMSD	This document and the information it contains are 3M property and may not be reproduced or further distributed without 3M permission, or used or disclosed other than for 3M authorized purposes. All rights reserved.		
DO NOT SCALE DRAWING	SCALE 10/1	TOLERANCES EXCEPT AS NOTED	3M Center St. Paul, MN 55144	
THIRD ANGLE PROJECTION	INCHES	0 ± .00	TITLE	
INTERPRET PER ASME Y14.5 - 2018	MILLIMETERS	.000 ±	BOARDMOUNT SOCKET, STRAIGHT, DUAL ROW, 1MM .039"	
MAX SURFACE ROUGHNESS	0 ± .5	.000 ±	CAGE NUMBER	SIZE
MARKED ONLY	.0 ± .38	.000 ± .13	D	78-5100-2804-2
	ANGLES		DRAWING NO.	REV.
				A
			MODEL	999
			DET	ISTS
			YES	NO
			SHT	1 OF 3

78-5100-2804-2
DRAWING NUMBER

3M™ DIP BOARDMOUNT SOCKET, .039" (1.00MM), 999 SERIES
 DUAL ROW, STRAIGHT BOARDMOUNT SOCKET

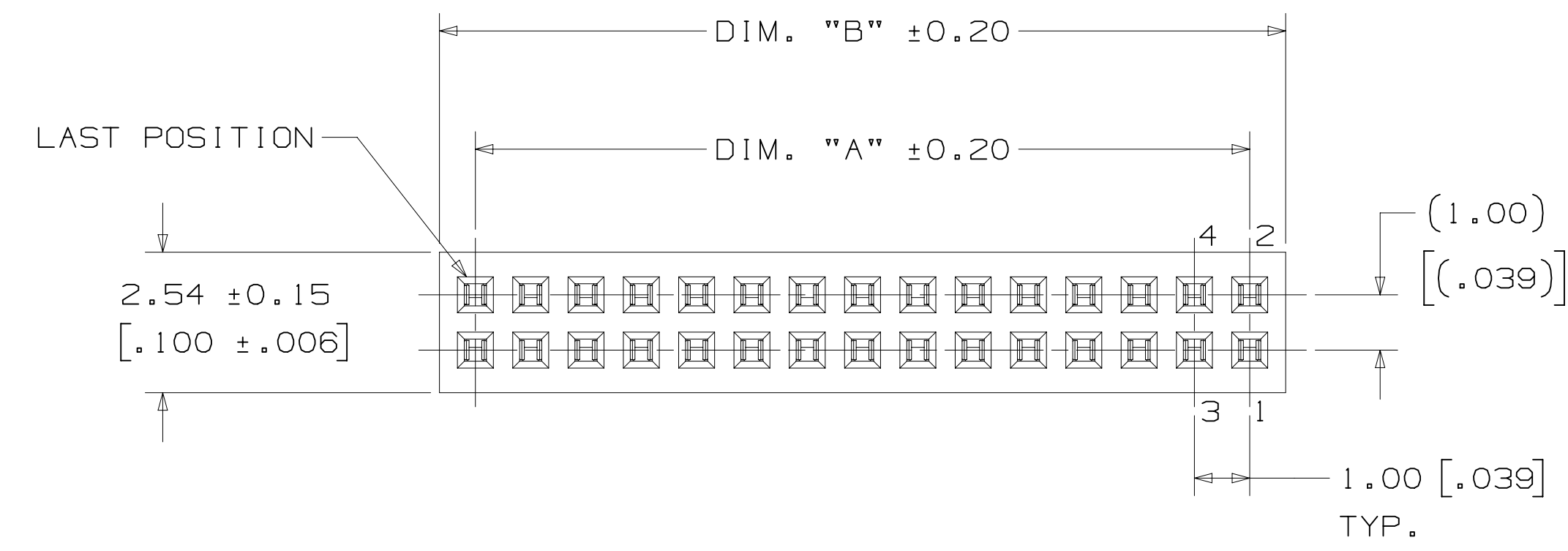
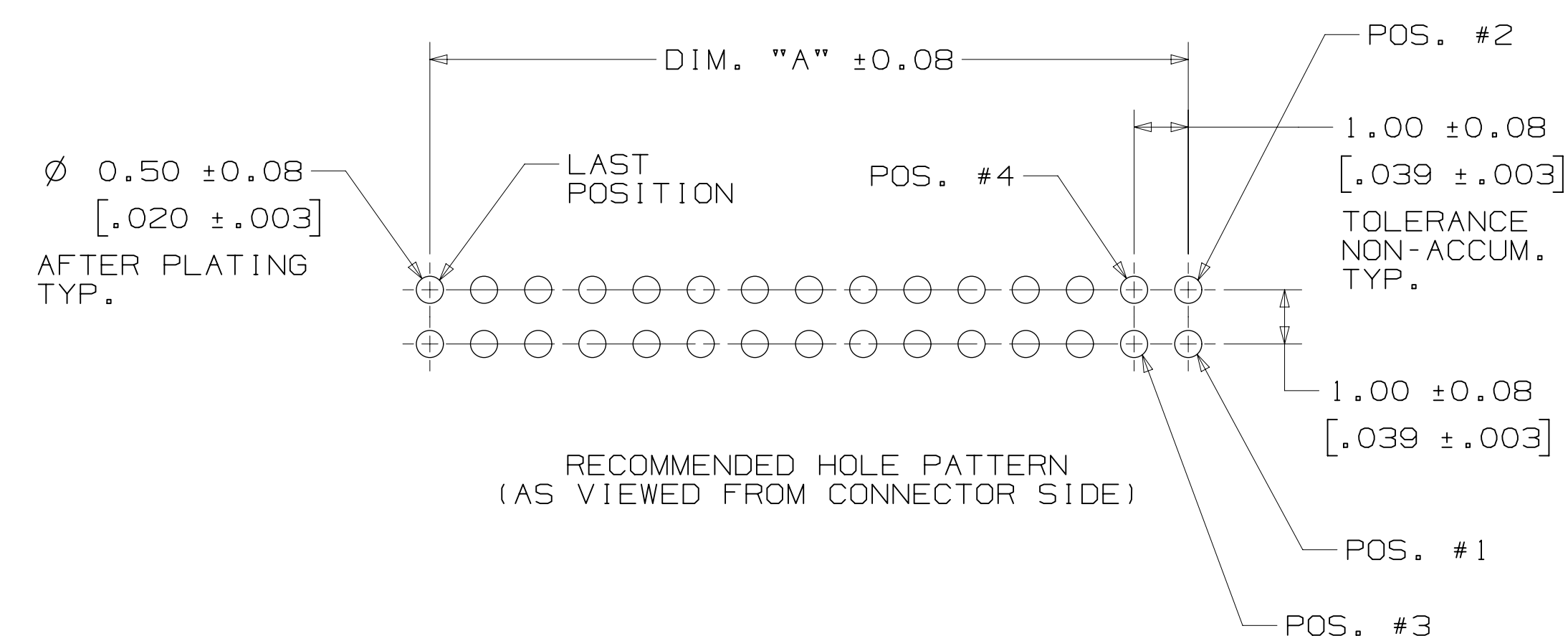
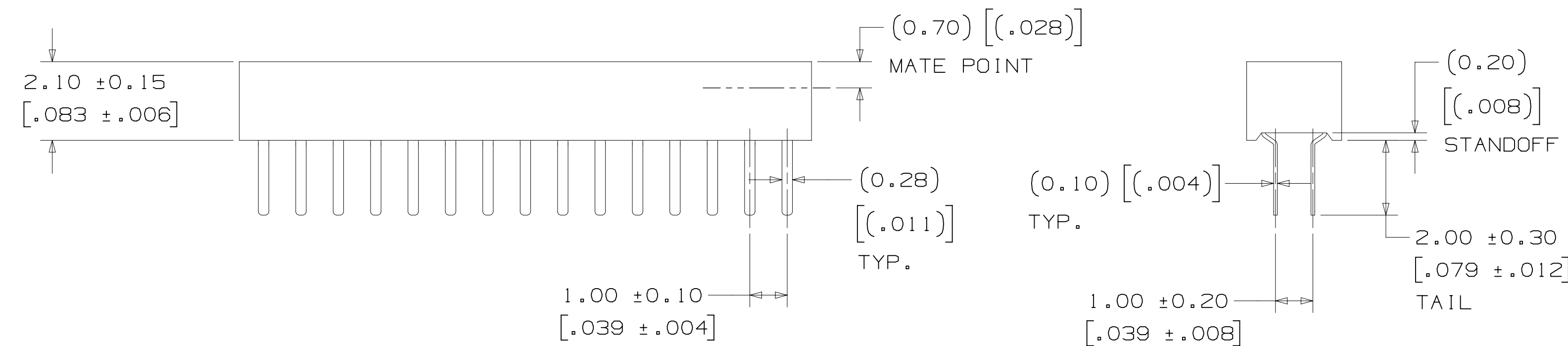


TABLE 1		
CONTACT QTY.	DIM. "A"	DIM. "B"
06	2.00 [.079]	3.30 [.130]
08	3.00 [.118]	4.30 [.169]
10	4.00 [.157]	5.30 [.209]
16	7.00 [.276]	8.30 [.327]
20	9.00 [.354]	10.30 [.406]
22	10.00 [.394]	11.30 [.445]
26	12.00 [.472]	13.30 [.524]
30	14.00 [.551]	15.30 [.602]
40	19.00 [.748]	20.30 [.799]
50	24.00 [.945]	25.30 [.996]
60	29.00 [1.142]	30.30 [1.193]
80	39.00 [1.535]	40.30 [1.587]



ORDERING INFORMATION
 999XX - S000
 NUMBER OF CONTACTS
 (SEE TABLE 1)

3M ELECTRONICS MATERIALS SOLUTIONS DIVISION
 INTERCONNECT SOLUTIONS
<http://www.3M.com/interconnect>
 3M IS A TRADEMARK OF 3M COMPANY.
 FOR TECHNICAL, SALES OR ORDERING
 INFORMATION CALL 800-225-5373

DESIGN REFERENCE	NEXT ASSEMBLY	REV	ECO	ISSUE DATE AND DESCRIPTION	DRFT	CHKD
				APR 05, 2024	JNC	EST
APR 05, 2024		MAR 14, 2024		APR 05, 2024		APR 05, 2024
S. OWEN		ENG SENG TEH		ENG SENG TEH		APR 05, 2024
DIVISION		EMSD		3M Center St. Paul, MN 55144		© 3M COPYRIGHT 2024 This document and the information it contains are 3M property and may not be reproduced or further distributed without 3M permission, or used or disclosed other than for 3M authorized purposes. All rights reserved.
DO NOT SCALE DRAWING	SCALE 10/1	TOLERANCES EXCEPT AS NOTED		TITLE		
THIRD ANGLE PROJECTION		INCHES		BOARDMOUNT SOCKET, STRAIGHT, DUAL ROW, 1MM .039"		
INTERPRET PER ASME Y14.5 - 2018		MILLIMETERS		CAGE NUMBER		
MAX SURFACE ROUGHNESS		.00 ±.38		D 78-5100-2804-2		
MARKED SURFACES		.000 ±.25		DRAWING NO.		
MARKED ONLY		.000 ±.13		999		
		ANGLES		REV. A		
				SHT 2 OF 3		

78-5100-2804-2
DRAWING NUMBER

8 7 6 5 4 3 2 1
3M™ DIP BOARDMOUNT SOCKET, .039" (1.00MM), 999 SERIES
 DUAL ROW, STRAIGHT BOARDMOUNT SOCKET

Regulatory: For regulatory information about this product, visit 3M.com/regs or contact your 3M representative.

Technical Information: The technical information, guidance, and other statements contained in this document or otherwise provided by 3M are based upon records, tests, or experience that 3M believes to be reliable, but the accuracy, completeness, and representative nature of such information is not guaranteed. Such information is intended for people with knowledge and technical skills sufficient to assess and apply their own informed judgment to the information. No license under any 3M or third party intellectual property rights is granted or implied with this information.

Product Use: Many factors beyond 3M's control and uniquely within user's knowledge and control can affect the use and performance of a 3M product in a particular application. As a result, customer is solely responsible for evaluating the product and determining whether it is appropriate and suitable for customer's application, including conducting a workplace hazard assessment and reviewing all applicable regulations and standards (e.g., OSHA, ANSI, etc.). Failure to properly evaluate, select, and use a 3M product in accordance with all applicable instructions and with appropriate safety equipment, or to meet all applicable safety regulations, may result in injury, sickness, death, and/or harm to property.

Warranty, Limited Remedy, and Disclaimer: Unless a different warranty is specifically stated on the applicable 3M product packaging or product literature (in which case such warranty governs), 3M warrants that each 3M product meets the applicable 3M product specification at the time 3M ships the product. **3M MAKES NO OTHER WARRANTIES OR CONDITIONS, EXPRESS OR IMPLIED, INCLUDING, BUT NOT LIMITED TO, ANY IMPLIED WARRANTY OR CONDITION OF MERCHANTABILITY, FITNESS FOR A PARTICULAR PURPOSE, OR ANY IMPLIED WARRANTY OR CONDITION ARISING OUT OF A COURSE OF DEALING, CUSTOM, OR USAGE OF TRADE.** If a 3M product does not conform to this warranty, then the sole and exclusive remedy is, at 3M's option, replacement or repair of the 3M product or refund of the purchase price.


Limitation of Liability: Except for the limited remedy stated above, and except to the extent prohibited by applicable law, 3M will not be liable for any loss or damage arising from or related to the 3M product, whether direct, indirect, special, incidental, or consequential (including, but not limited to, lost profits or business opportunity), regardless of the legal or equitable theory asserted, including, but not limited to, warranty, contract, negligence, or strict liability.

Disclaimer: For industrial use only. Not intended, labeled or packaged for consumer sale or use.

3M Company
 Electronics Materials Solutions Division
 13011 McCallen Pass, Bldg. C
 Austin, TX 78753-5380
 1-800-225-5373
www.3M.com/interconnect

3M ELECTRONICS MATERIALS SOLUTIONS DIVISION
 INTERCONNECT SOLUTIONS
<http://www.3M.com/interconnect>

3M IS A TRADEMARK OF 3M COMPANY.
 FOR TECHNICAL, SALES OR ORDERING
 INFORMATION CALL 800-225-5373

DESIGN REFERENCE	NEXT ASSEMBLY	REV	ECO	ISSUE DATE AND DESCRIPTION	DRFT	CHKD
		A	115072	APR 05, 2024 PRODUCTION RELEASE	JNC	EST
DATE	DATE	DATE	DATE	DATE	DATE	DATE
CASTIGLIONE	MAR 14, 2024	MFG				
S. OWEN	APR 05, 2024	ENG	SENG	TEH		APR 05, 2024
DIVISION	DIVISION CODE	© 3M COPYRIGHT 2024 This document and the information it contains are 3M property and may not be reproduced or further distributed without 3M permission, or used or disclosed other than for 3M authorized purposes. All rights reserved.				
DO NOT SCALE DRAWING	SCALE 10/1	TOLERANCES EXCEPT AS NOTED	 3M Center St. Paul, MN 55144			
THIRD ANGLE PROJECTION	INCHES	MILLIMETERS	TITLE BOARDMOUNT SOCKET, STRAIGHT, DUAL ROW, 1MM .039"			
INTERPRET PER ASME Y14.5 - 2018	0 ± .5	0 ± .13	CAGE NUMBER	SIZE	DRAWING NO.	REV.
MAX SURFACE ROUGHNESS	0 ± .5	0 ± .13	D	78-5100-2804-2	A	
MARKED ONLY	0 ± .5	0 ± .13	MODEL	999	DET	YES <input type="checkbox"/> NO <input type="checkbox"/> SHT 3 OF 3

78-5100-2804-2
DRAWING NUMBER