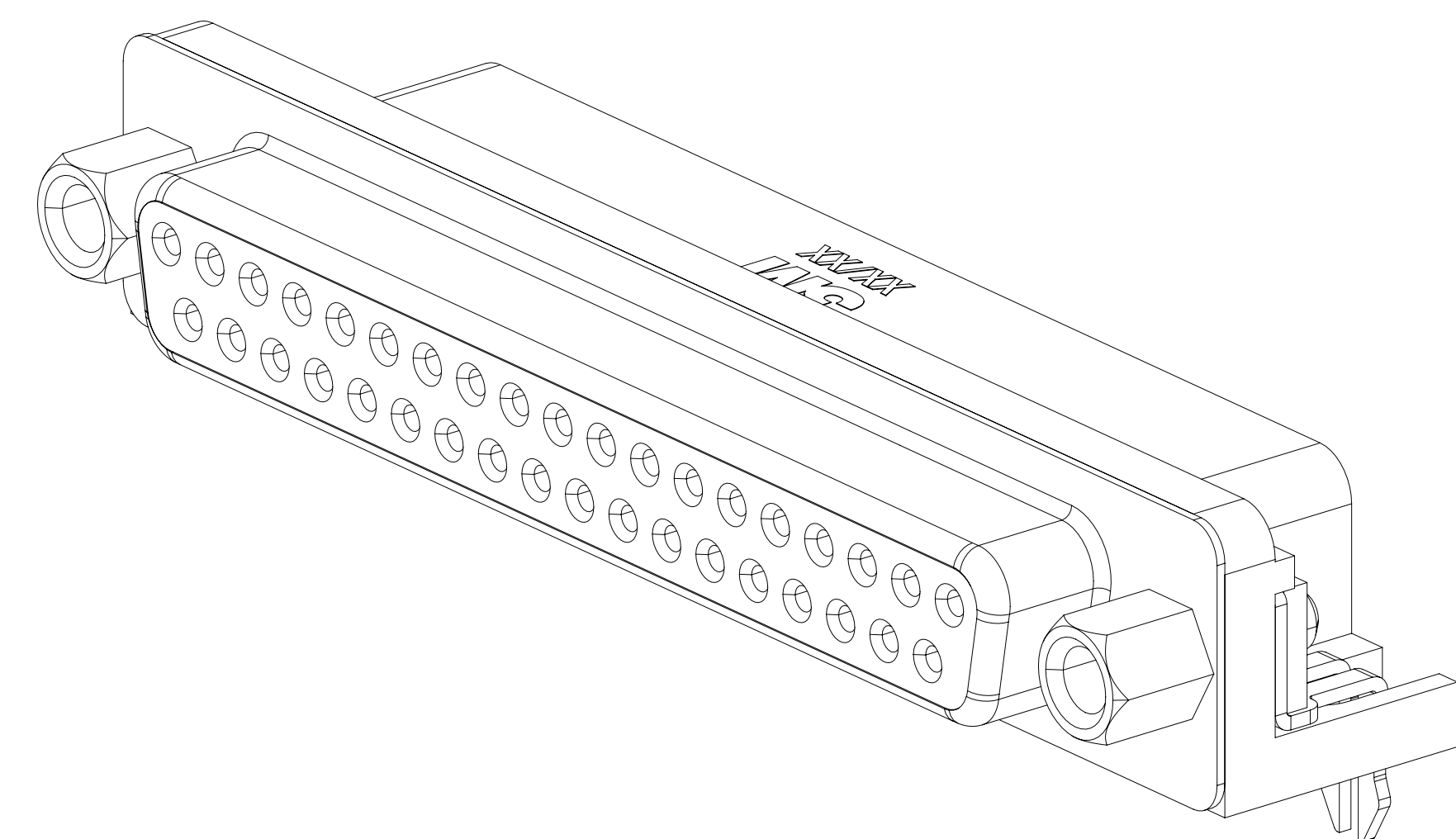


8 7 6 5 4 3 2 1  
**3M™ BOARDMOUNT D-SUB RIGHT ANGLE SOCKET CONNECTOR, 887 SERIES**  
 FEMALE, SOLDER TAIL

NOTES  
 1. REGULATORY INFORMATION:  
 VISIT 3M.com/regs  
 2. IN THE EVENT OF CONFLICT  
 BETWEEN THIS DATA AND THAT  
 CONTAINED IN THE PRODUCT  
 SPECIFICATION, THE PRODUCT  
 SPECIFICATION TAKES PRECEDENT.



2 PHYSICAL :

INSULATOR: GLASS FILLED POLYESTER (PBT)  
 MATERIAL: GLASS FILLED POLYESTER (PBT)  
 FLAMMABILITY: UL94V-0  
 COLOR: BLACK  
 CONTACT: COPPER ALLOY  
 MATERIAL: COPPER ALLOY  
 PLATING: UNDER PLATING: 1.27µm (50µ") AVG. NICKEL-OVERALL  
 WIPING AREA: 0.76µm (30µ") AVG. GOLD  
 SOLDER TAILS: 3µm-5µm (0.076µ"-0.127µ") MATTE TIN  
 MARKINGS: 3M LOGO

2 ELECTRICAL :

CURRENT RATING: 1A  
 INSULATION RESISTANCE: >1×10<sup>9</sup>Ω  
 WITHSTANDING VOLTAGE: 1,000V<sub>RMS</sub>, 1mA, 60s  
 VOLTAGE RATING: 300V

2 ENVIRONMENTAL :

TEMPERATURE RATING: -40° C TO +100° C

ORDERING INFORMATION  
 887XX-5005

NUMBER OF PINS  
 (SEE TABLE 1)

3M ELECTRONICS MATERIALS SOLUTIONS DIVISION  
 INTERCONNECT SOLUTIONS  
<http://www.3M.com/interconnect>

3M IS A TRADEMARK OF 3M COMPANY.  
 FOR TECHNICAL, SALES OR ORDERING  
 INFORMATION CALL 800-225-5373



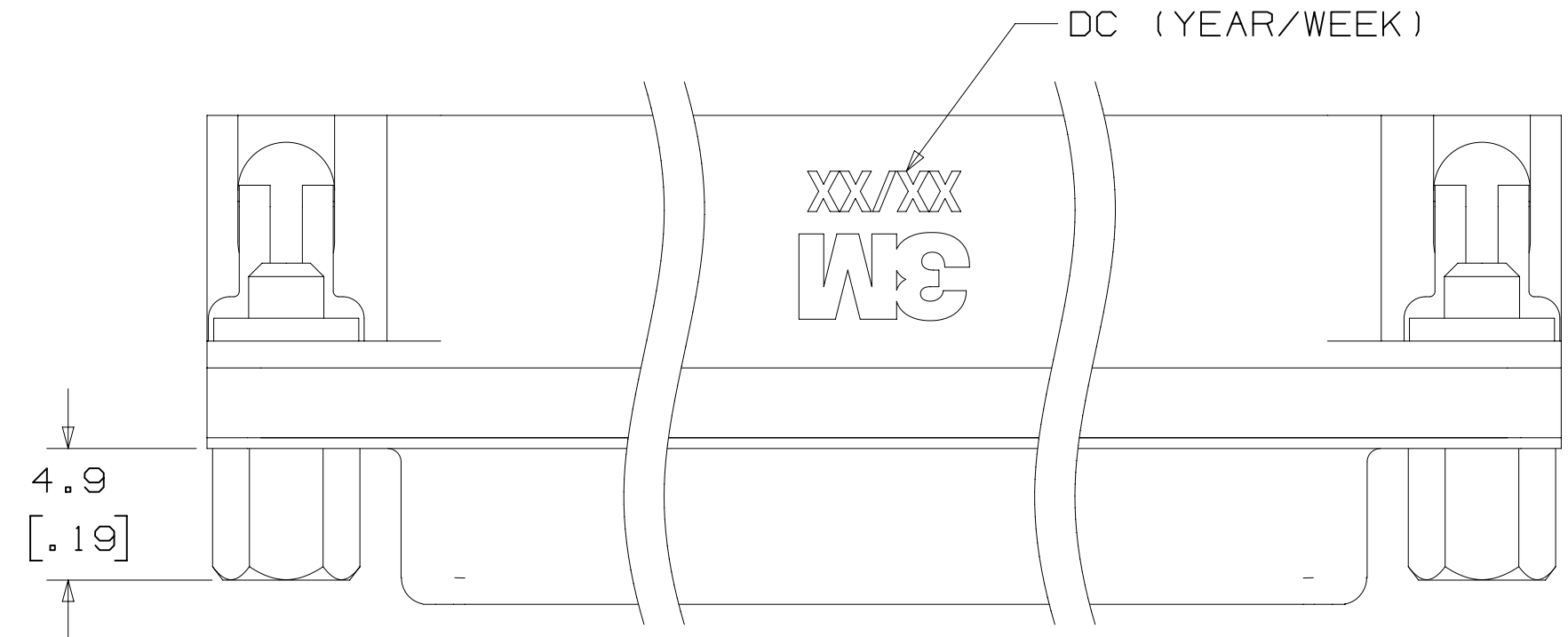
DIMENSIONS: MM [ INCHES ]  
 [ INCHES ] IS FOR REF. ONLY

REV	ECO	ISSUE DATE AND DESCRIPTION	DRFT	CHKD
A	111930	NOV 01, 2023 REMOVE CONTACT RESISTANCE	JNC	JG
DESIGN REFERENCE	NEXT ASSEMBLY	DATE	DATE	DATE
CASTIGLIONE		OCT 05, 2023		OCT 05, 2023
DIVISION	DIVISION CODE	APPRV	DATE	DATE
	EMSD	J. GEORTZ		OCT 05, 2023
DO NOT SCALE DRAWING	SCALE 4/1	TOLERANCES EXCEPT AS NOTED	© 3M COPYRIGHT 2024 This document and the information it contains are 3M property and may not be reproduced or further distributed without 3M permission, or used or disclosed other than for 3M authorized purposes. All rights reserved.	
THIRD ANGLE PROJECTION	INTERPRET PER ASME Y14.5 - 2018	MILLIMETERS 0 ± .5	TITLE BOARDMOUNT D-SUB RIGHT ANGLE SOCKET CONNECTOR	
MAX SURFACE ROUGHNESS	INTERPRET PER ASME Y14.5 - 2018	INCHES .00 ± .000	CAGE NUMBER D 78-5100-2794-5	
MARKED ONLY	MARKED ONLY	MILLIMETERS .00 ± .025	DRAWING NO. 78-5100-2794-5	
		INCHES .000 ± .025	REV. A	
		ANGLES	MODEL D-SUB	
			DET. YES <input type="checkbox"/> NO <input checked="" type="checkbox"/> SHT 1 OF 3	

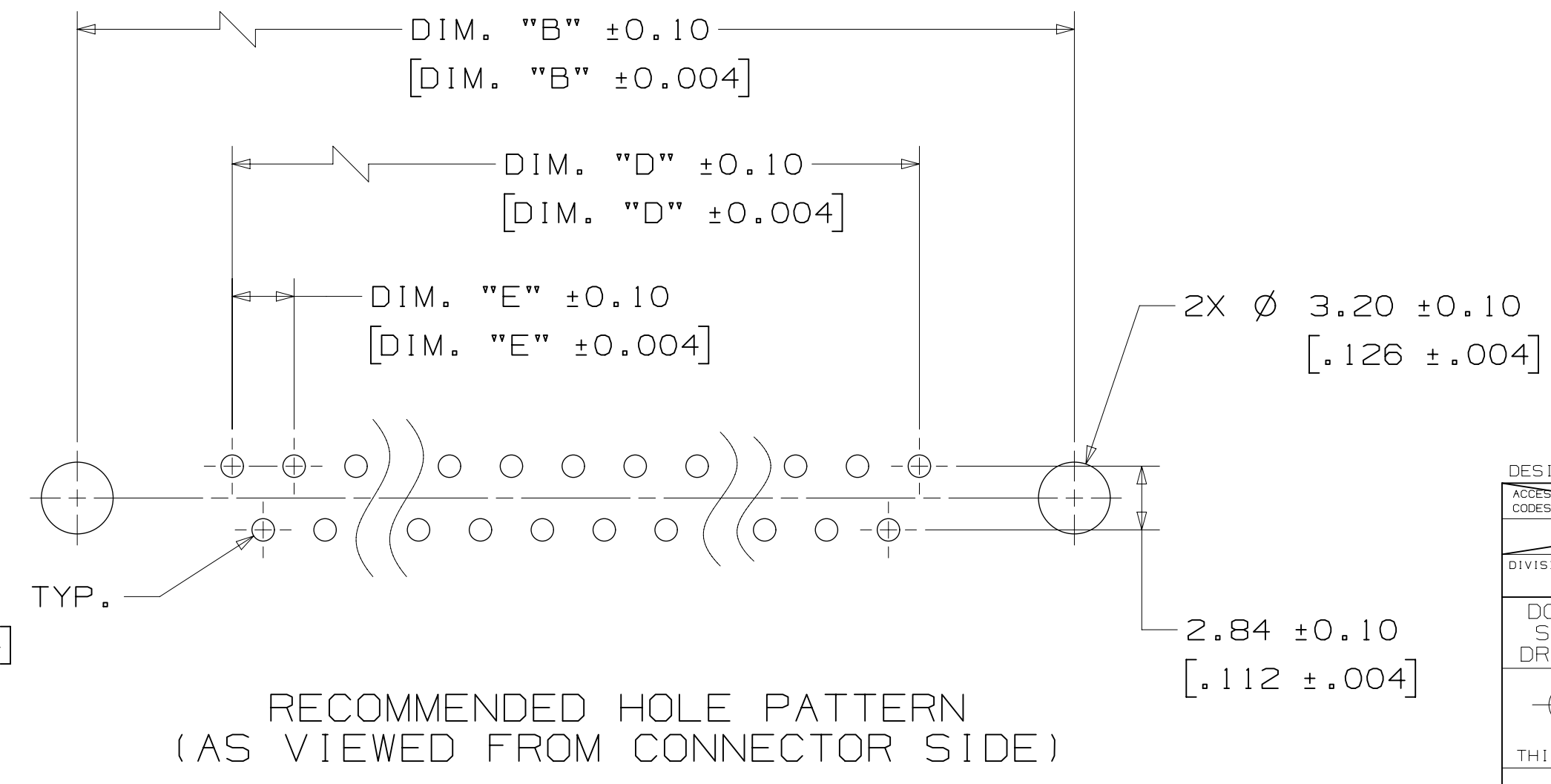
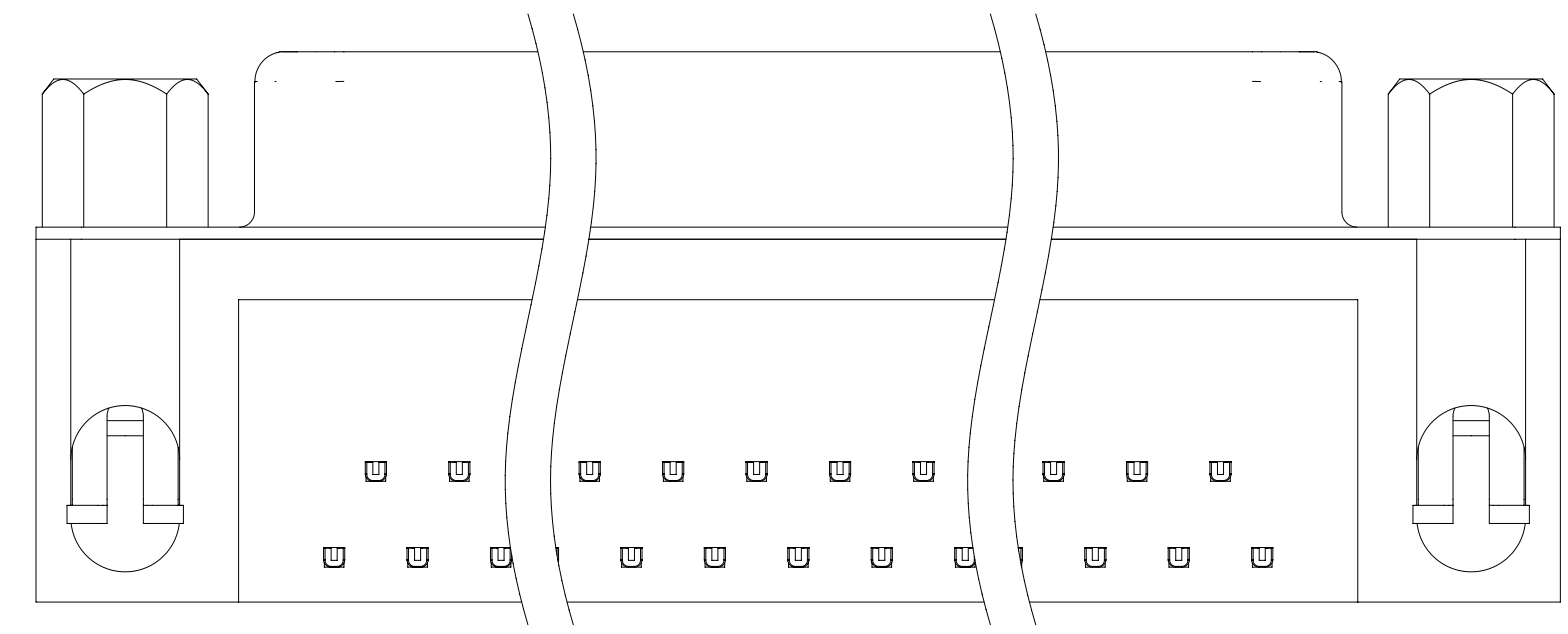
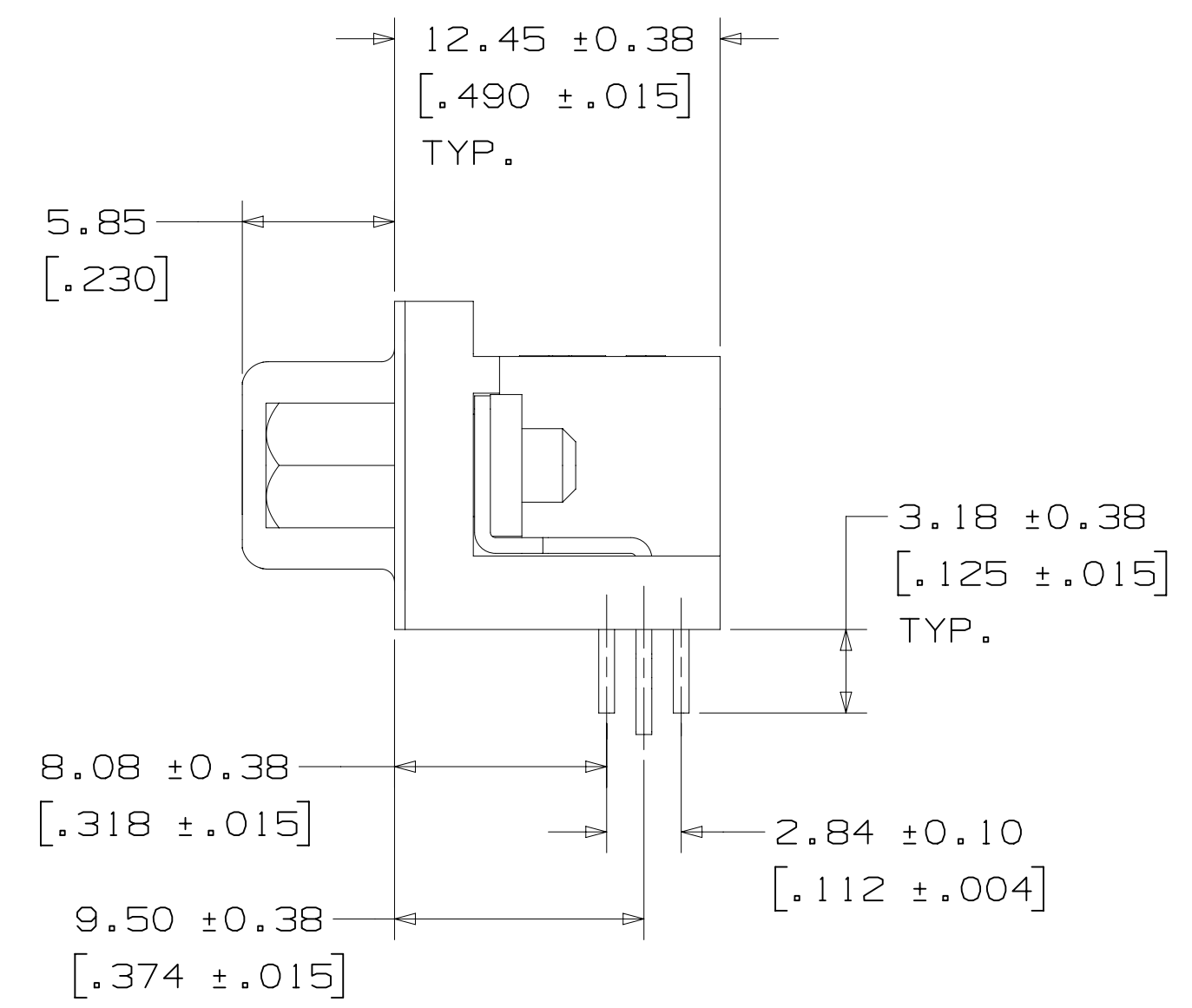
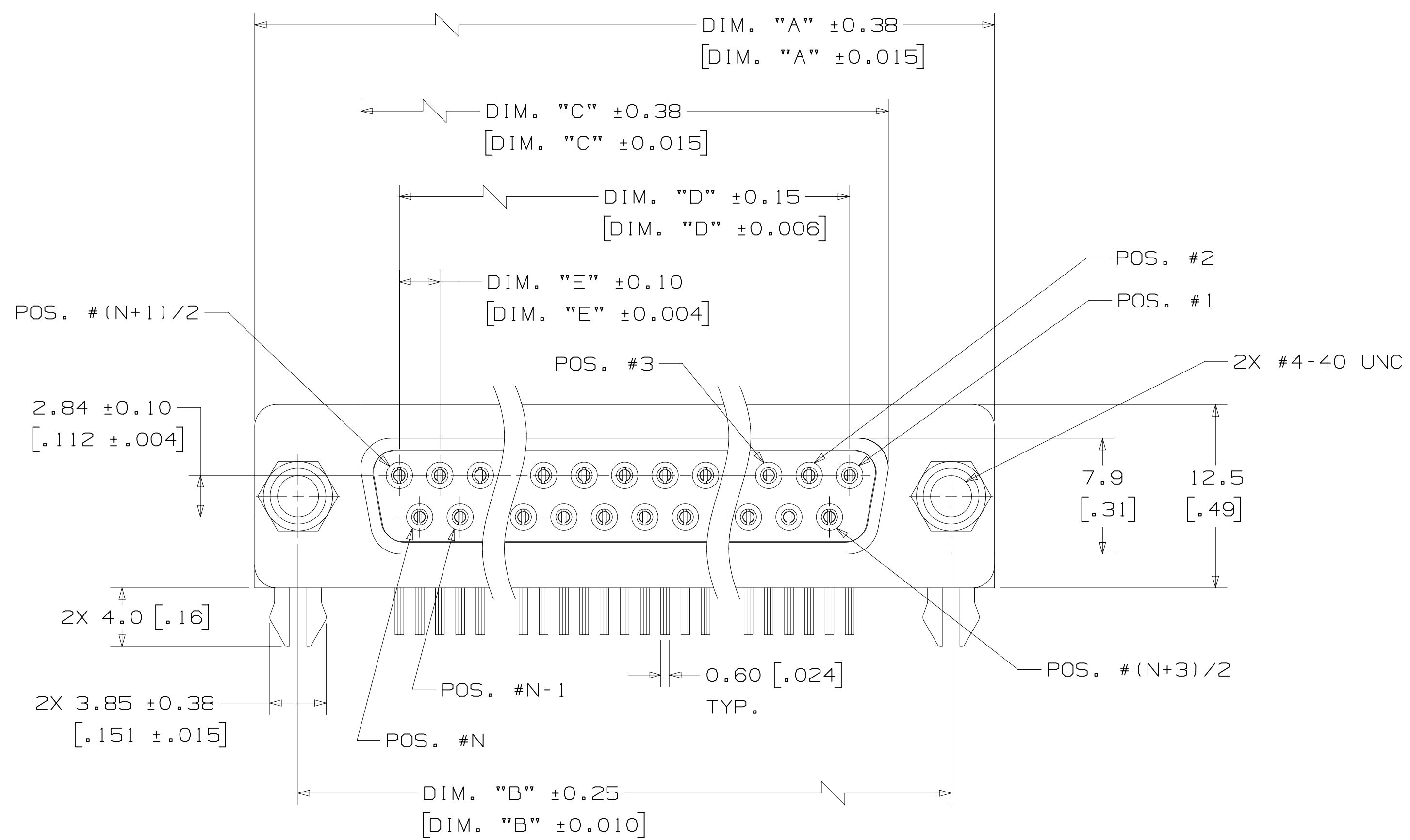
78-5100-2794-5  
DRAWING NUMBER

3M™ BOARDMOUNT D-SUB RIGHT ANGLE SOCKET CONNECTOR, 887 SERIES  
 FEMALE, SOLDER TAIL

NOTES  
 1. N = TOTAL NUMBER OF TERMINALS.



PIN QTY.	DIM. "A"	DIM. "B"	DIM. "C"	DIM. "D"	DIM. "E"
09	30.80 [ 1.213 ]	25.00 [ 0.984 ]	16.35 [ .644 ]	10.96 [ 0.431 ]	2.74 [ 0.108 ]
15	39.20 [ 1.543 ]	33.30 [ 1.311 ]	24.66 [ .971 ]	19.18 [ 0.755 ]	2.74 [ 0.108 ]
25	53.04 [ 2.088 ]	47.04 [ 1.852 ]	38.38 [ 1.511 ]	33.12 [ 1.304 ]	2.76 [ 0.109 ]
37	69.40 [ 2.732 ]	63.50 [ 2.500 ]	54.80 [ 2.157 ]	49.68 [ 1.956 ]	2.76 [ 0.109 ]



3M ELECTRONICS MATERIALS SOLUTIONS DIVISION  
 INTERCONNECT SOLUTIONS  
<http://www.3m.com/interconnect>  
 3M IS A TRADEMARK OF 3M COMPANY.  
 FOR TECHNICAL, SALES OR ORDERING  
 INFORMATION CALL 800-225-5373

DESIGN REFERENCE	NEXT ASSEMBLY	REV. A	ECO	NOV 01, 2023	JNC	JG
ISSUE DATE AND DESCRIPTION		DRFT	CHKD	REMOVE CONTACT RESISTANCE		
DATE	MFG	DATE	DATE			
CASTIGLIONE	OCT 05, 2023	J. GEORTZ	OCT 05, 2023			
DIVISION CODE		EMSD				
DO NOT SCALE DRAWING	SCALE 4/1	TOLERANCES EXCEPT AS NOTED				
THIRD ANGLE PROJECTION		INCHES				
INTERPRET PER ASME Y14.5 - 2018		MILLIMETERS				
MAX SURFACE ROUGHNESS		.00 ±.00				
SURFACES		.00 ±.25				
MARKED ONLY		.000 ±.025				
MODEL		D-SUB				
CAGE NUMBER		DRAWING NO.		REV.		
D78-5100-2794-5		D78-5100-2794-5		A		
SHT 2 OF 3						

8 7 6 5 4 3 2 1  
**3M™ BOARDMOUNT D-SUB RIGHT ANGLE SOCKET CONNECTOR, 887 SERIES**  
 FEMALE, SOLDER TAIL

Regulatory: For regulatory information about this product, visit 3M.com/regs or contact your 3M representative.

Technical Information: The technical information, guidance, and other statements contained in this document or otherwise provided by 3M are based upon records, tests, or experience that 3M believes to be reliable, but the accuracy, completeness, and representative nature of such information is not guaranteed. Such information is intended for people with knowledge and technical skills sufficient to assess and apply their own informed judgment to the information. No license under any 3M or third party intellectual property rights is granted or implied with this information.

Product Use: Many factors beyond 3M's control and uniquely within user's knowledge and control can affect the use and performance of a 3M product in a particular application. As a result, customer is solely responsible for evaluating the product and determining whether it is appropriate and suitable for customer's application, including conducting a workplace hazard assessment and reviewing all applicable regulations and standards (e.g., OSHA, ANSI, etc.). Failure to properly evaluate, select, and use a 3M product in accordance with all applicable instructions and with appropriate safety equipment, or to meet all applicable safety regulations, may result in injury, sickness, death, and/or harm to property.


Warranty, Limited Remedy, and Disclaimer: Unless a different warranty is specifically stated on the applicable 3M product packaging or product literature (in which case such warranty governs), 3M warrants that each 3M product meets the applicable 3M product specification at the time 3M ships the product. 3M MAKES NO OTHER WARRANTIES OR CONDITIONS, EXPRESS OR IMPLIED, INCLUDING, BUT NOT LIMITED TO, ANY IMPLIED WARRANTY OR CONDITION OF MERCHANTABILITY, FITNESS FOR A PARTICULAR PURPOSE, OR ANY IMPLIED WARRANTY OR CONDITION ARISING OUT OF A COURSE OF DEALING, CUSTOM, OR USAGE OF TRADE. If a 3M product does not conform to this warranty, then the sole and exclusive remedy is, at 3M's option, replacement or repair of the 3M product or refund of the purchase price.

Limitation of Liability: Except for the limited remedy stated above, and except to the extent prohibited by applicable law, 3M will not be liable for any loss or damage arising from or related to the 3M product, whether direct, indirect, special, incidental, or consequential (including, but not limited to, lost profits or business opportunity), regardless of the legal or equitable theory asserted, including, but not limited to, warranty, contract, negligence, or strict liability.

Disclaimer: For industrial use only. Not intended, labeled or packaged for consumer sale or use.

3M Company  
 Electronics Materials Solutions Division  
 13011 McCallen Pass, Bldg. C  
 Austin, TX 78753-5380  
 1-800-225-5373  
 www.3M.com/interconnect

3M ELECTRONICS MATERIALS SOLUTIONS DIVISION  
 INTERCONNECT SOLUTIONS  
<http://www.3M.com/interconnect>  
 3M IS A TRADEMARK OF 3M COMPANY.  
 FOR TECHNICAL, SALES OR ORDERING  
 INFORMATION CALL 800-225-5373

DESIGN REFERENCE	NEXT ASSEMBLY	REV	ECO	ISSUE DATE AND DESCRIPTION	DRFT	CHKD
		A	111930	NOV 01, 2023 REMOVE CONTACT RESISTANCE	JNC	JG
APPROVED	DATE	DATE	DATE	DATE	DATE	DATE
CHKD	DATE	DATE	DATE	DATE	DATE	DATE
DIVISION	DIVISION CODE	 © 3M COPYRIGHT 2024 This document and the information it contains are 3M property and may not be reproduced or further distributed without 3M permission, or used or disclosed other than for 3M authorized purposes. All rights reserved.				
DO NOT SCALE DRAWING	SCALE 4/1	TOLERANCES EXCEPT AS NOTED INCHES .00 ± .000 ± .0000 ±				
THIRD ANGLE PROJECTION	INTERPRET PER ASME Y14.5 - 2018	MILLIMETERS 0 ±.5 .00 ±.25 .000 ±.025				
MAX SURFACE ROUGHNESS	DTX SURFACES	CAGE NUMBER <b>D</b> 78-5100-2794-5 MODEL D-SUB DET. <input type="checkbox"/> YES <input checked="" type="checkbox"/> NO SHT 3 OF 3				

A REVISION  
 78-5100-2794-5  
 DRAWING NUMBER