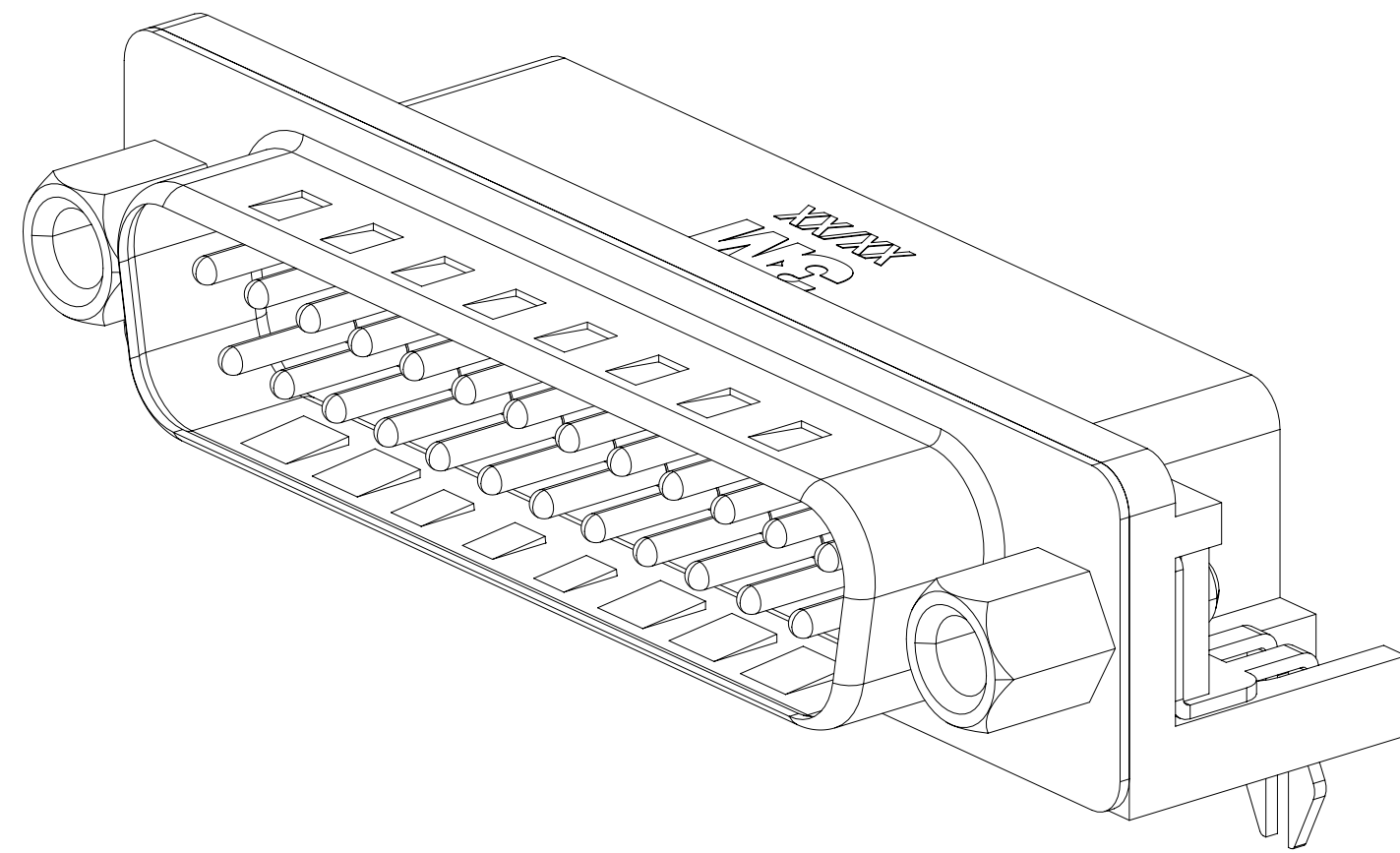


3M™ BOARDMOUNT D-SUB RIGHT ANGLE PLUG CONNECTOR, 886 SERIES
 MALE, SOLDER TAIL

- NOTES
1. REGULATORY INFORMATION:
VISIT 3M.com/regs
 2. IN THE EVENT OF CONFLICT BETWEEN THIS DATA AND THAT CONTAINED IN THE PRODUCT SPECIFICATION, THE PRODUCT SPECIFICATION TAKES PRECEDENT.



2 PHYSICAL :

INSULATOR: GLASS FILLED POLYESTER (PBT)
 MATERIAL: UL94V-0
 FLAMMABILITY: UL94V-0
 COLOR: BLACK
 CONTACT: COPPER ALLOY
 MATERIAL: COPPER ALLOY
 PLATING: UNDER PLATING: 1.27µm (50µ") AVG. NICKEL-OVERALL
 WIPING AREA: 0.76µm (30µ") AVG. GOLD
 SOLDER TAILS: 3µm-5µm (0.076µ"-0.127µ") MATTE TIN
 MARKINGS: 3M LOGO

2 ELECTRICAL :

CURRENT RATING: 1A
 INSULATION RESISTANCE: >1×10⁹Ω
 WITHSTANDING VOLTAGE: 1,000V_{RMS}, 1mA, 60s
 VOLTAGE RATING: 300V

2 ENVIRONMENTAL :

TEMPERATURE RATING: -40° C TO +100° C

ORDERING INFORMATION
 886XX-5005

NUMBER OF PINS
 (SEE TABLE 1)

DIMENSIONS: MM [INCHES]
 [INCHES] IS FOR REF. ONLY

DESIGN REFERENCE	NEXT ASSEMBLY	REV	ECO	ISSUE DATE AND DESCRIPTION	DRFT	CHKD
				NOV 01, 2023 REMOVE CONTACT RESISTANCE	JNC	JG
APPROVED	DATE	APPROVED	DATE	APPROVED	DATE	APPROVED
CASTIGLIONE	SEP 27, 2023	J. GOERTZ	SEP 27, 2023			
DIVISION		DIVISION CODE		TITLE		
DO NOT SCALE DRAWING		EMSD		BOARDMOUNT D-SUB RIGHT ANGLE PLUG CONNECTOR		
THIRD ANGLE PROJECTION		TOLERANCES EXCEPT AS NOTED		CAGE NUMBER		
INTERPRET PER ASME Y14.5 - 2018		INCHES		D 78-5100-2793-7		
MAX SURFACE ROUGHNESS		MILLIMETERS		DRAWING NO.		
0.000 ±		0 ± .5		78-5100-2793-7		
0.000 ±		.00 ± .38		REV.		
0.000 ±		.00 ± .25		A		
0.000 ±		.000 ± .025		MODEL		
MARKED ONLY		ANGLES		D-SUB		

3M ELECTRONICS MATERIALS SOLUTIONS DIVISION
 INTERCONNECT SOLUTIONS
<http://www.3M.com/interconnect>

3M IS A TRADEMARK OF 3M COMPANY.
 FOR TECHNICAL, SALES OR ORDERING
 INFORMATION CALL 800-225-5373

UL
 UL FILE NO: E68080

78-5100-2793-7
 DRAWING NUMBER

A

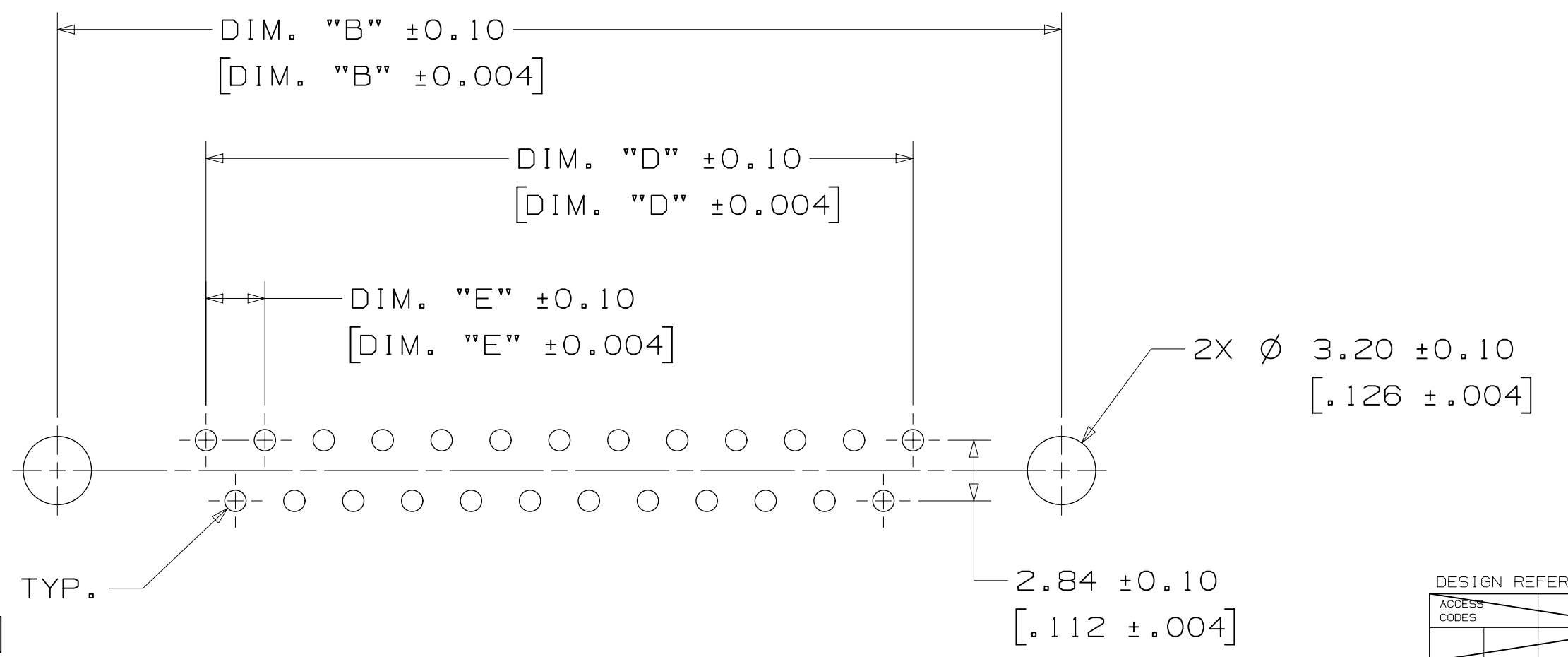
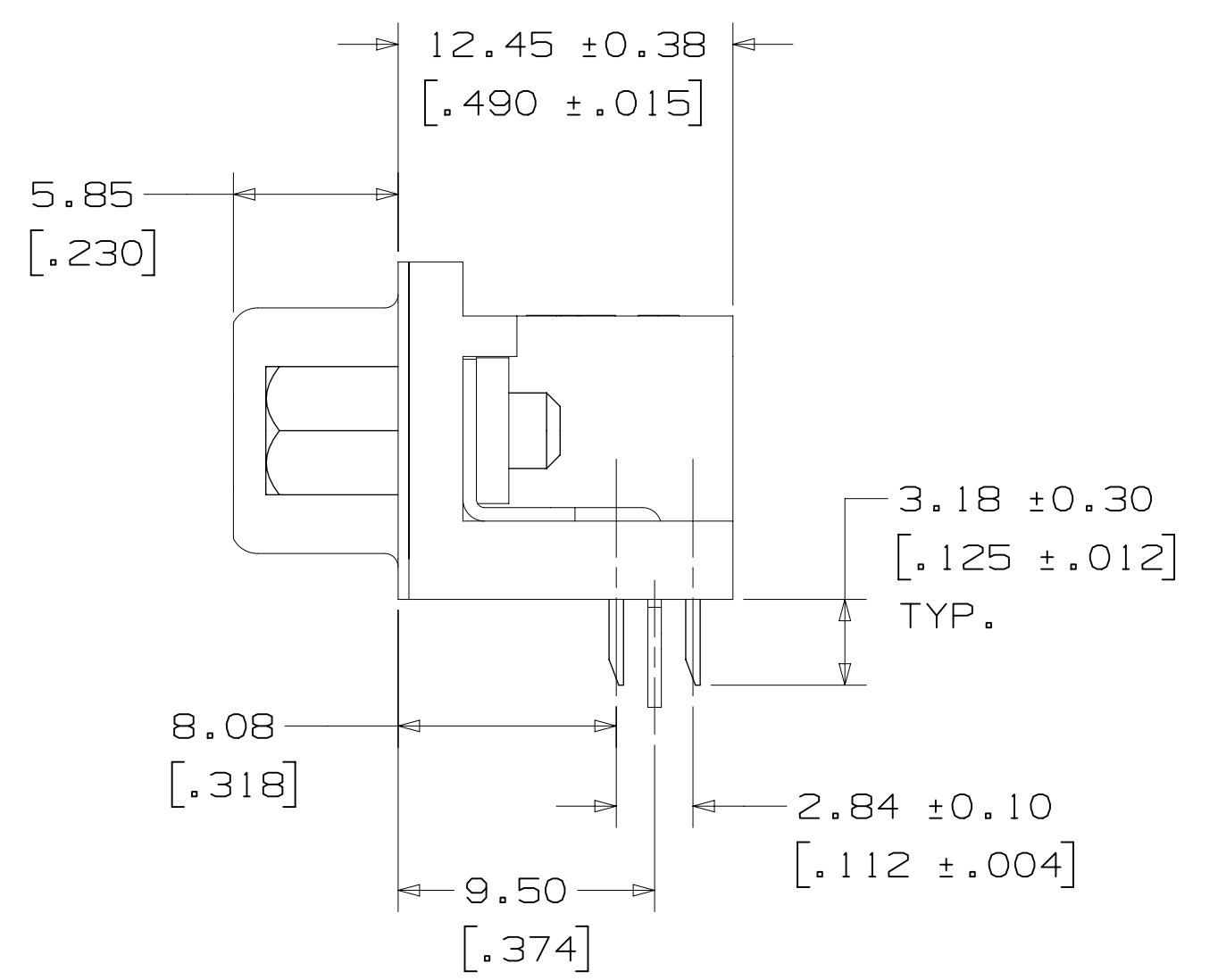
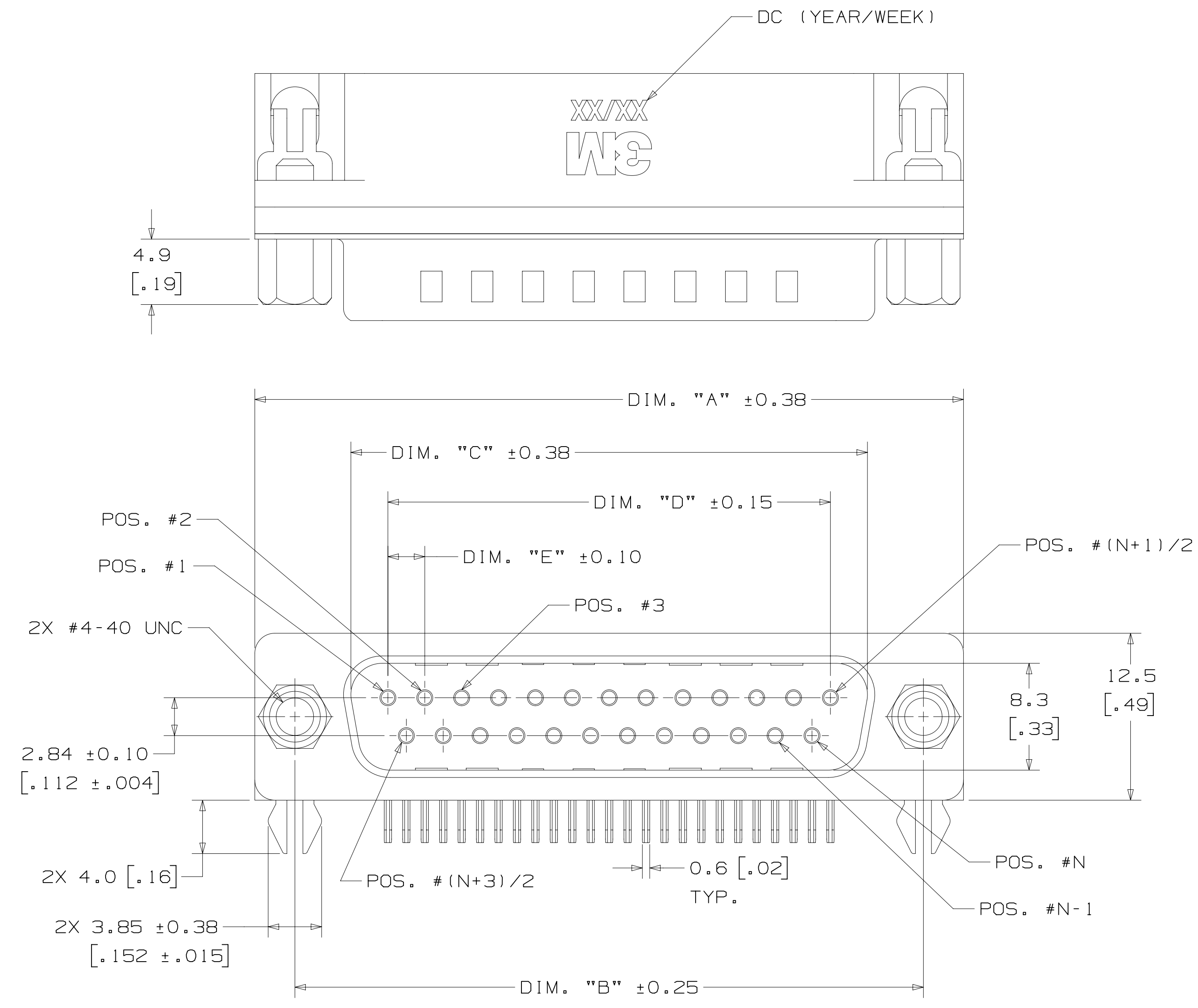
SHT 1 OF 3

3M™ BOARDMOUNT D-SUB RIGHT ANGLE PLUG CONNECTOR, 886 SERIES
 MALE, SOLDER TAIL

NOTES
 1. N = TOTAL NUMBER OF TERMINALS.

TABLE 1

PIN QTY.	DIM. "A"	DIM. "B"	DIM. "C"	DIM. "D"	DIM. "E"
09	30.80 [1.213]	25.00 [0.984]	16.92 [0.666]	10.96 [0.431]	2.74 [0.108]
15	39.20 [1.543]	33.30 [1.311]	25.25 [0.994]	19.18 [0.755]	2.74 [0.108]
25	53.04 [2.088]	47.04 [1.852]	38.96 [1.534]	33.12 [1.304]	2.76 [0.109]
37	69.40 [2.732]	63.50 [2.500]	55.42 [2.182]	49.68 [1.956]	2.76 [0.109]



RECOMMENDED HOLE PATTERN
 (AS VIEWED FROM CONNECTOR SIDE)

3M ELECTRONICS MATERIALS SOLUTIONS DIVISION
 INTERCONNECT SOLUTIONS
<http://www.3M.com/interconnect>
 3M IS A TRADEMARK OF 3M COMPANY.
 FOR TECHNICAL, SALES OR ORDERING
 INFORMATION CALL 800-225-5373

DESIGN REFERENCE	NEXT ASSEMBLY	REV. A	ECO	NOV 01, 2023	JNC	JG
REMOVE CONTACT RESISTANCE		DRFT	CHKD	DATE	DATE	DATE
CAGI CODES		CASTIGLIONE	SEP 27, 2023	MFG	DATE	DATE
DIVISION		EMSD	APPV	J. GOERTZ	DATE	SEP 27, 2023
DO NOT SCALE DRAWING	SCALE 4/1	TOLERANCES EXCEPT AS NOTED	© 3M COPYRIGHT 2024 This document and the information it contains are 3M property and may not be reproduced or further distributed without 3M permission, or used or disclosed other than for 3M authorized purposes. All rights reserved.			
THIRD ANGLE PROJECTION	INTERPRET PER ASME Y14.5 - 2018	MILLIMETERS 0 ±.5 .00 ±.25 .000 ±.025	TITLE BOARDMOUNT D-SUB RIGHT ANGLE PLUG CONNECTOR CAGE NUMBER D78-5100-2793-7 MODEL D-SUB			
MAX SURFACE ROUGHNESS	MARKED ONLY	ANGLES	REV. A	REV. A	REV. A	REV. A
SHT 2 OF 3			DET. [] YES [X] NO [] SHT 2 OF 3			

3M™ BOARDMOUNT D-SUB RIGHT ANGLE PLUG CONNECTOR, 886 SERIES

MALE, SOLDER TAIL

Regulatory: For regulatory information about this product, visit 3M.com/regs or contact your 3M representative.

Technical Information: The technical information, guidance, and other statements contained in this document or otherwise provided by 3M are based upon records, tests, or experience that 3M believes to be reliable, but the accuracy, completeness, and representative nature of such information is not guaranteed. Such information is intended for people with knowledge and technical skills sufficient to assess and apply their own informed judgment to the information. No license under any 3M or third party intellectual property rights is granted or implied with this information.

Product Use: Many factors beyond 3M's control and uniquely within user's knowledge and control can affect the use and performance of a 3M product in a particular application. As a result, customer is solely responsible for evaluating the product and determining whether it is appropriate and suitable for customer's application, including conducting a workplace hazard assessment and reviewing all applicable regulations and standards (e.g., OSHA, ANSI, etc.). Failure to properly evaluate, select, and use a 3M product in accordance with all applicable instructions and with appropriate safety equipment, or to meet all applicable safety regulations, may result in injury, sickness, death, and/or harm to property.

Warranty, Limited Remedy, and Disclaimer: Unless a different warranty is specifically stated on the applicable 3M product packaging or product literature (in which case such warranty governs), 3M warrants that each 3M product meets the applicable 3M product specification at the time 3M ships the product. 3M MAKES NO OTHER WARRANTIES OR CONDITIONS, EXPRESS OR IMPLIED, INCLUDING, BUT NOT LIMITED TO, ANY IMPLIED WARRANTY OR CONDITION OF MERCHANTABILITY, FITNESS FOR A PARTICULAR PURPOSE, OR ANY IMPLIED WARRANTY OR CONDITION ARISING OUT OF A COURSE OF DEALING, CUSTOM, OR USAGE OF TRADE. If a 3M product does not conform to this warranty, then the sole and exclusive remedy is, at 3M's option, replacement or repair of the 3M product or refund of the purchase price.


Limitation of Liability: Except for the limited remedy stated above, and except to the extent prohibited by applicable law, 3M will not be liable for any loss or damage arising from or related to the 3M product, whether direct, indirect, special, incidental, or consequential (including, but not limited to, lost profits or business opportunity), regardless of the legal or equitable theory asserted, including, but not limited to, warranty, contract, negligence, or strict liability.

Disclaimer: For industrial use only. Not intended, labeled or packaged for consumer sale or use.

3M Company
 Electronics Materials Solutions Division
 13011 McCallen Pass, Bldg. C
 Austin, TX 78753-5380
 1-800-225-5373
www.3M.com/interconnect

3M ELECTRONICS MATERIALS SOLUTIONS DIVISION
 INTERCONNECT SOLUTIONS
<http://www.3M.com/interconnect>

3M IS A TRADEMARK OF 3M COMPANY.
 FOR TECHNICAL, SALES OR ORDERING
 INFORMATION CALL 800-225-5373

DESIGN REFERENCE	NEXT ASSEMBLY	REV	ECO	ISSUE DATE AND DESCRIPTION	DRFT	CHKD
				NOV 01, 2023 REMOVE CONTACT RESISTANCE	JNC	JG
APPROVED	DATE	DATE	DATE	DATE	DATE	DATE
CASTIGLIONE	SEP 27, 2023	SEP 27, 2023	SEP 27, 2023	SEP 27, 2023	SEP 27, 2023	SEP 27, 2023
CHKD	DATE	DATE	DATE	DATE	DATE	DATE
				J. GOERTZ		
DIVISION	DIVISION CODE	 © 3M COPYRIGHT 2024 This document and the information it contains are 3M property and may not be reproduced or further distributed without 3M permission, or used or disclosed other than for 3M authorized purposes. All rights reserved.				
DO NOT SCALE DRAWING	SCALE 4/1	TOLERANCES EXCEPT AS NOTED INCHES .00 ± .000 ± .0000 ±				
THIRD ANGLE PROJECTION	INTERPRET PER ASME Y14.5 - 2018	MILLIMETERS 0 ± .5 .00 ± .25 .000 ± .025				
MAX SURFACE ROUGHNESS	DTX SURFACES	CAGE NUMBER D 78-5100-2793-7				
<input checked="" type="checkbox"/> MARKED ONLY	ANGLES	MODEL D-SUB				
		DRAWING NO. D 78-5100-2793-7			REV. A	
		DET. I/S/S			YES <input type="checkbox"/> NO <input checked="" type="checkbox"/> SHT 3 OF 3	

DRAWING NUMBER 78-5100-2793-7

REVISION A