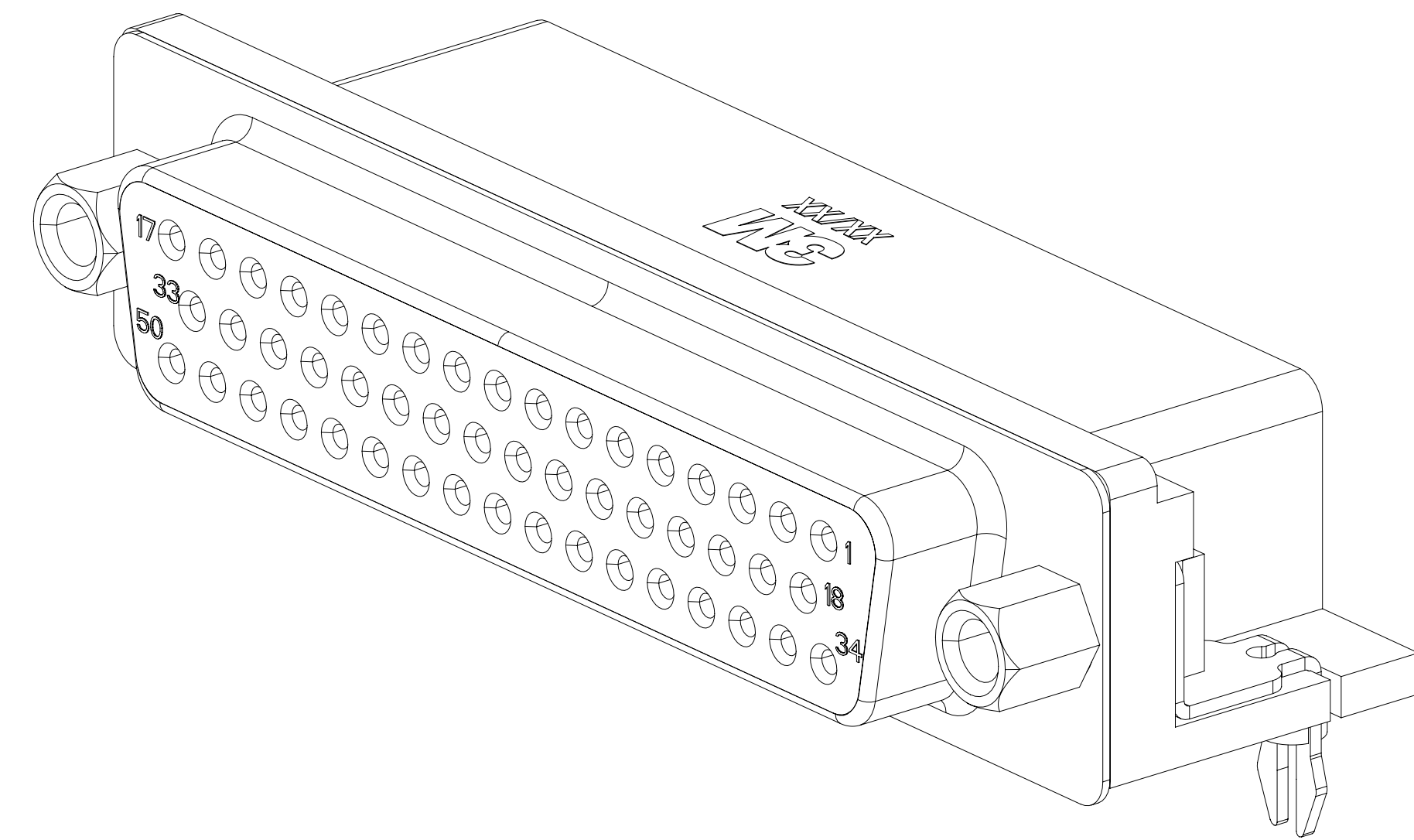


3M™ BOARDMOUNT D-SUB RIGHT ANGLE SOCKET, 50 POSITION CONNECTOR, 888 SERIES  
 FEMALE, SOLDER TAIL

- NOTES
- REGULATORY INFORMATION:  
VISIT 3M.com/regs
  - IN THE EVENT OF CONFLICT BETWEEN THIS DATA AND THAT CONTAINED IN THE PRODUCT SPECIFICATION, THE PRODUCT SPECIFICATION TAKES PRECEDENT.



2 PHYSICAL :

INSULATOR: GLASS FILLED POLYESTER (PBT)  
 MATERIAL: GLASS FILLED POLYESTER (PBT)  
 FLAMMABILITY: UL94V-0  
 COLOR: BLACK  
 CONTACT: COPPER ALLOY  
 MATERIAL: COPPER ALLOY  
 PLATING: UNDER PLATING: 1.27µm (50µ") AVG. NICKEL-OVERALL  
 WIPING AREA: 0.76µm (30µ") AVG. GOLD  
 SOLDER TAILS: 3µm-5µm (0.076µ"-0.127µ") MATTE TIN  
 MARKINGS: 3M LOGO

2 ELECTRICAL :

CURRENT RATING: 1A  
 INSULATION RESISTANCE: >1×10<sup>9</sup>Ω  
 WITHSTANDING VOLTAGE: 1,000V<sub>RMS</sub>, 1mA, 60s  
 VOLTAGE RATING: 300V

2 ENVIRONMENTAL :

TEMPERATURE RATING: -40° C TO +100° C

ORDERING INFORMATION  
 88850-5000

3M ELECTRONICS MATERIALS SOLUTIONS DIVISION  
 INTERCONNECT SOLUTIONS  
<http://www.3M.com/interconnect>

3M IS A TRADEMARK OF 3M COMPANY.  
 FOR TECHNICAL, SALES OR ORDERING  
 INFORMATION CALL 800-225-5373

**3M**  
 UL FILE NO: E68080

DIMENSIONS: MM [ INCHES ]  
 [ INCHES ] IS FOR REF. ONLY

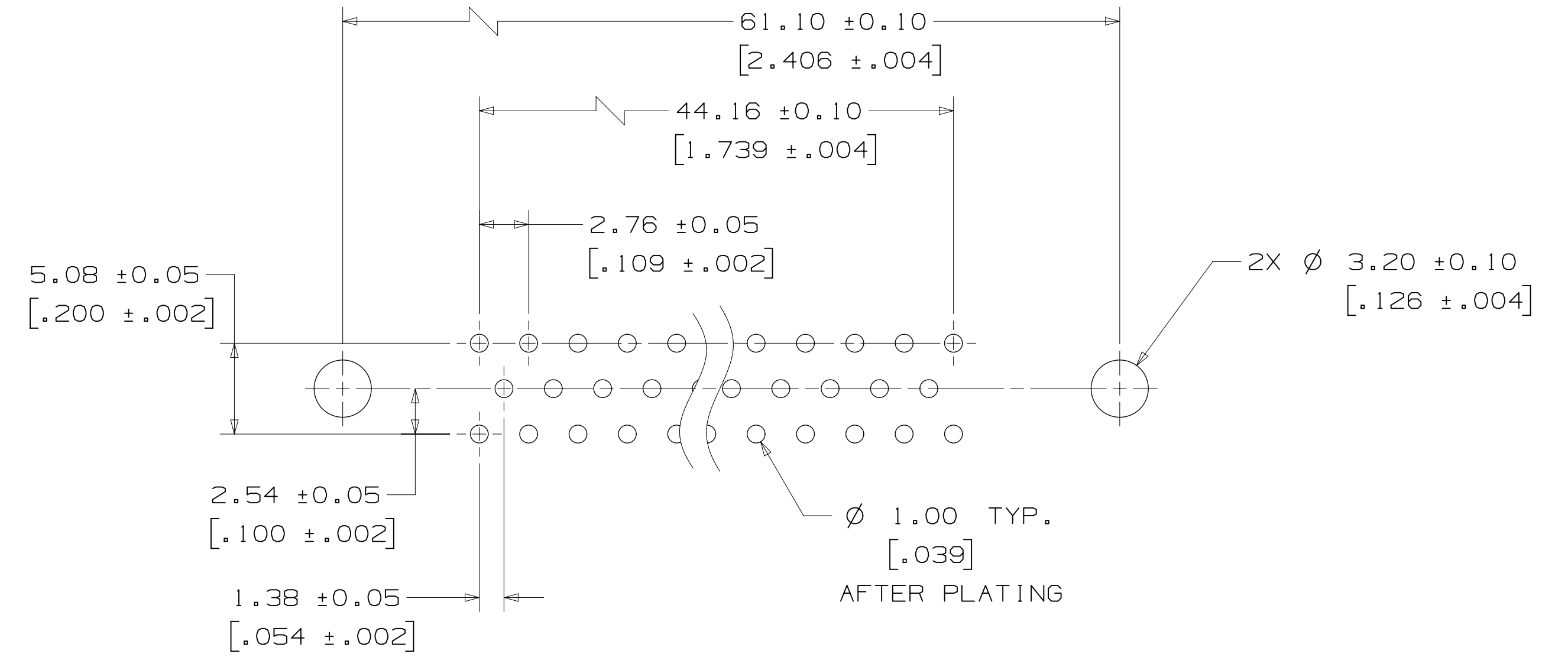
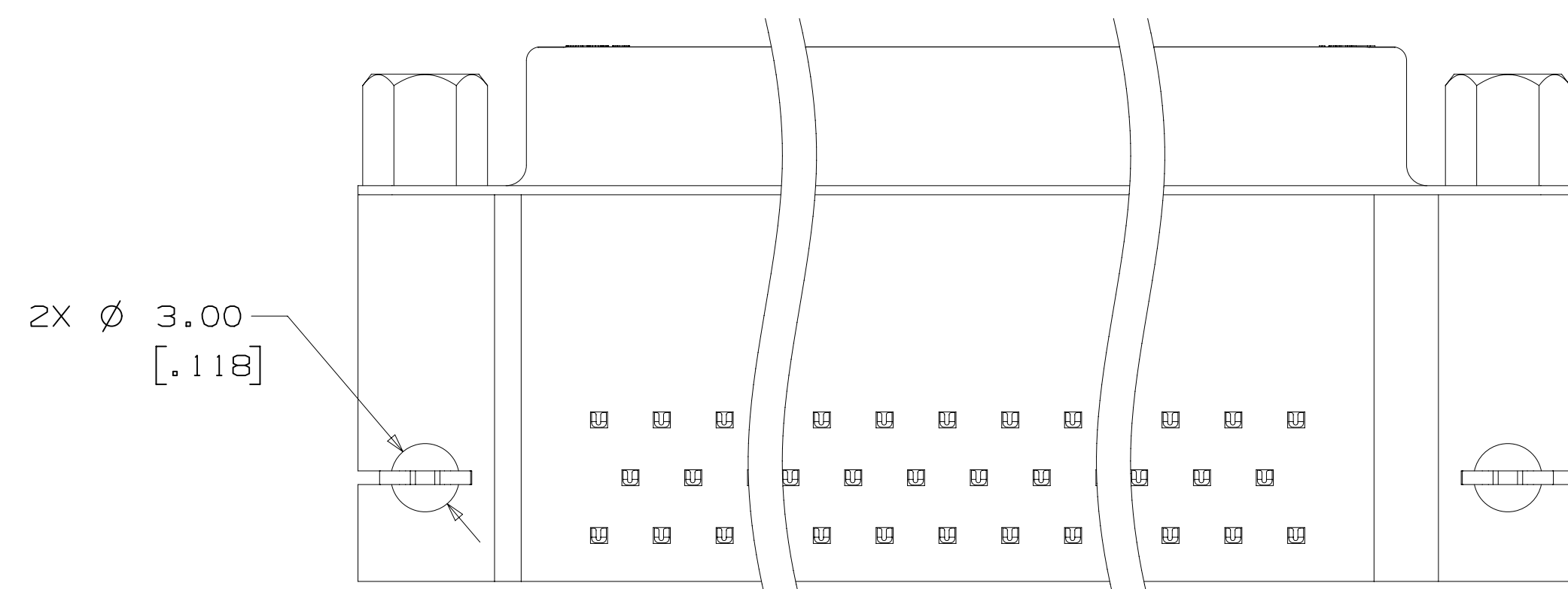
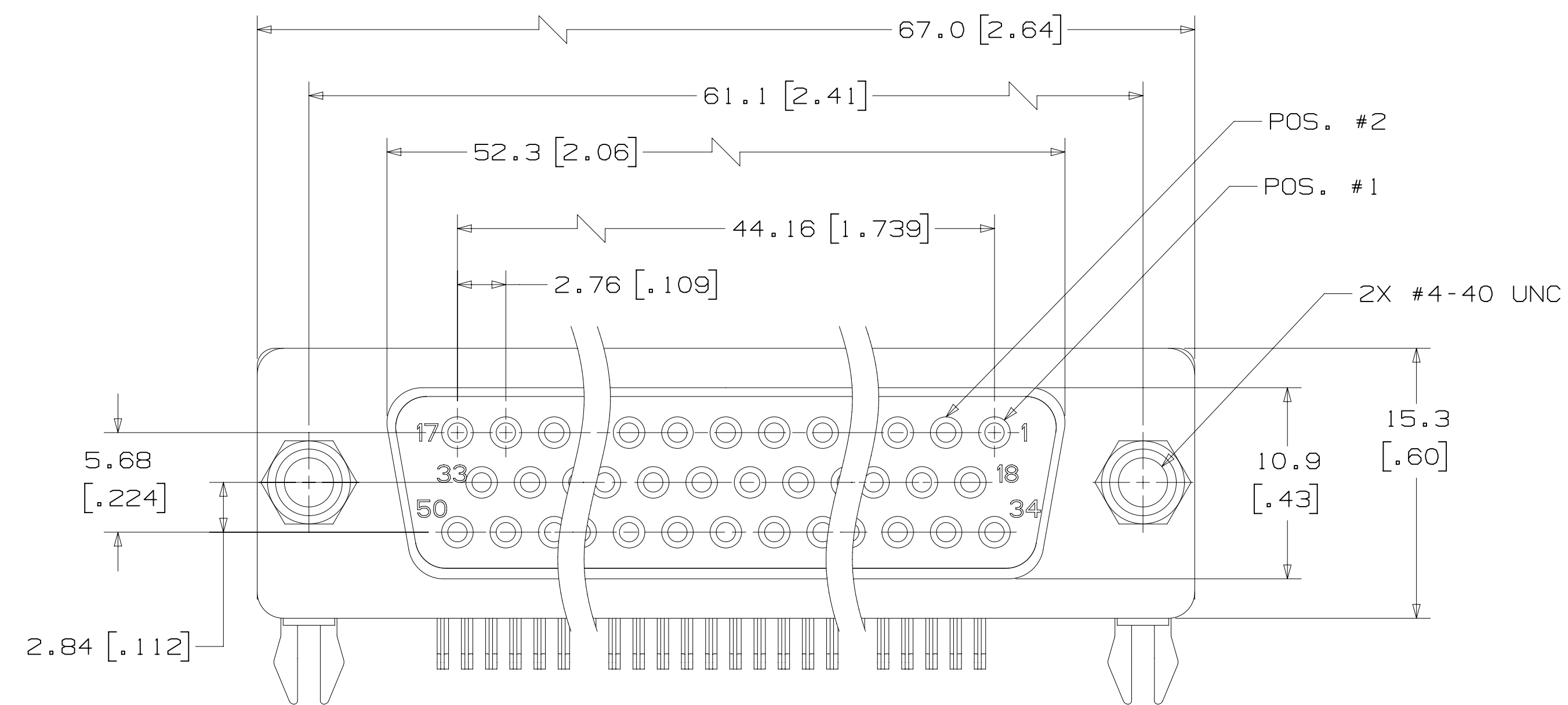
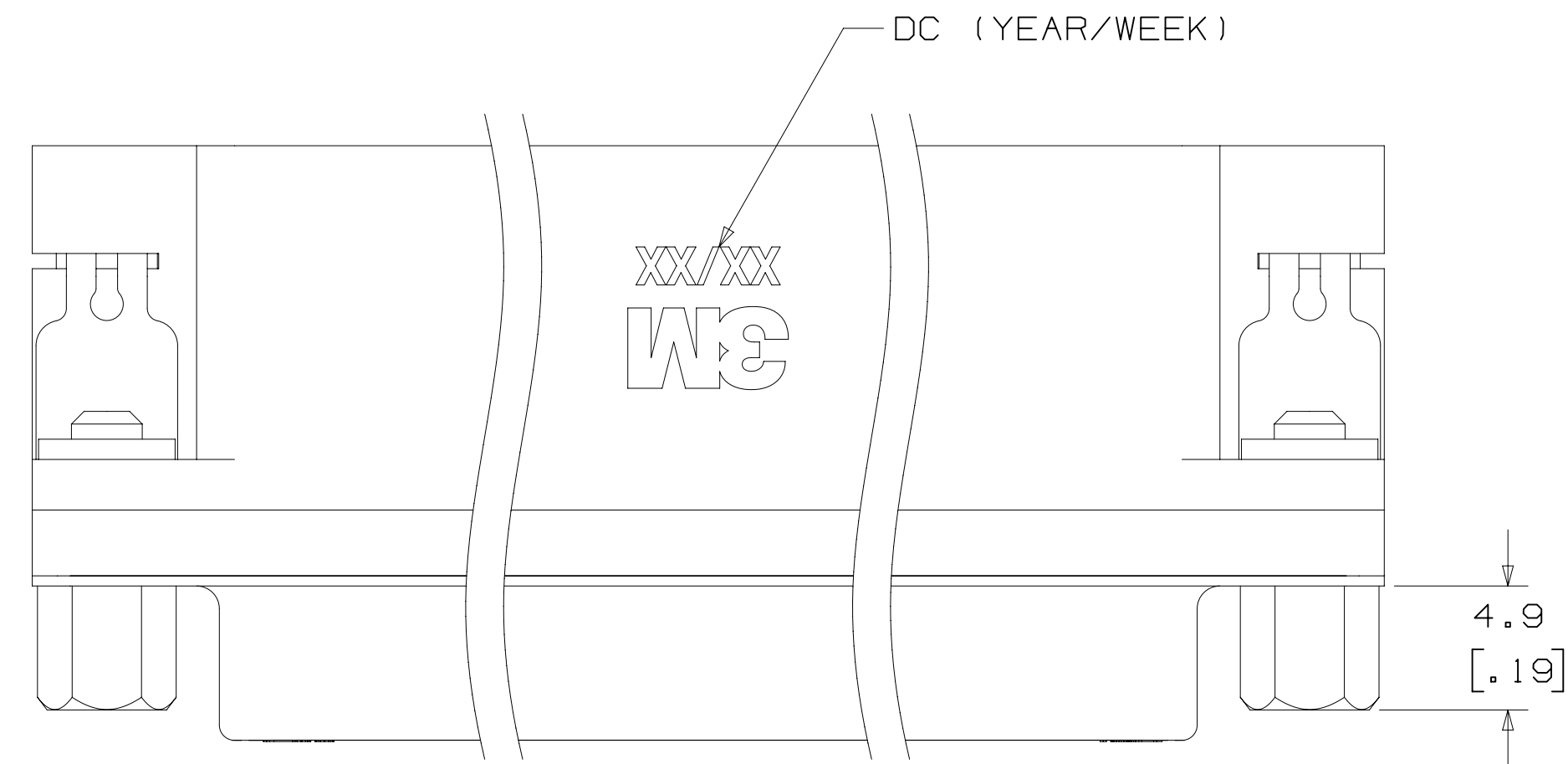
REV	ECO	ISSUE DATE AND DESCRIPTION	DRFT	CHKD
		NOV 01, 2023 REMOVE CONTACT RESISTANCE	JNC	JG
DESIGN REFERENCE	NEXT ASSEMBLY	DATE	DATE	DATE
		OCT 05, 2023	OCT 05, 2023	OCT 05, 2023
DIVISION	DIVISION CODE	DATE	DATE	DATE
	EMSD			
DO NOT SCALE DRAWING	SCALE	TOLERANCES EXCEPT AS NOTED	© 3M COPYRIGHT 2024 This document and the information it contains are 3M property and may not be reproduced or further distributed without 3M permission, or used or disclosed other than for 3M authorized purposes. All rights reserved.	
	4 1	INCHES .00 ± .000 ± 0.000 ±	TITLE BOARDMOUNT D-SUB RIGHT ANGLE SOCKET, 50P CONNECTOR	
THIRD ANGLE PROJECTION		MILLIMETERS 0 ±.5 .0 ±.38 .00 ±.25 .000 ±.025	CAGE NUMBER D 78-5100-2795-2	
INTERPRET PER ASME Y14.5 - 2018		ANGLES ±1°	DRAWING NO. 78-5100-2795-2	
MAX SURFACE ROUGHNESS			REV. A	
MARKED ONLY			MODEL D-SUB	

78-5100-2795-2  
DRAWING NUMBER

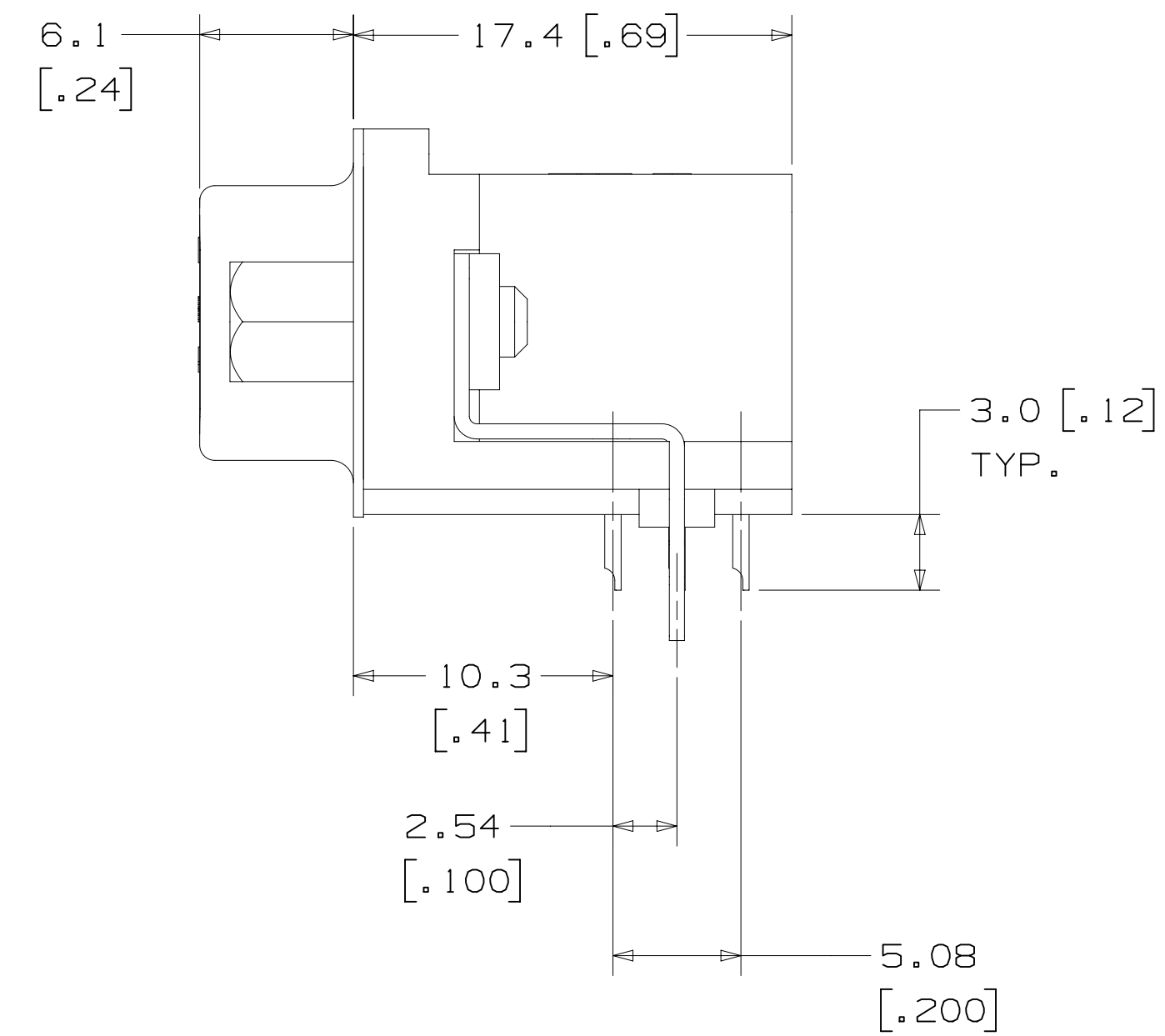
A  
REVISION

SHT 1 OF 3

3M™ BOARDMOUNT D-SUB RIGHT ANGLE SOCKET, 50 POSITION CONNECTOR, 888 SERIES  
 FEMALE, SOLDER TAIL



RECOMMENDED HOLE PATTERN  
 (AS VIEWED FROM CONNECTOR SIDE)



3M ELECTRONICS MATERIALS SOLUTIONS DIVISION  
 INTERCONNECT SOLUTIONS  
<http://www.3M.com/interconnect>

3M IS A TRADEMARK OF 3M COMPANY.  
 FOR TECHNICAL, SALES OR ORDERING  
 INFORMATION CALL 800-225-5373

DESIGN REFERENCE	NEXT ASSEMBLY	REV	ECO	ISSUE DATE AND DESCRIPTION	DRFT	CHKD
				NOV 01, 2023 REMOVE CONTACT RESISTANCE	JNC	JG
APPROVED	DATE	DATE	DATE	DATE	DATE	DATE
CASTIGLIONE	OCT 05, 2023	MFG				
CHKD	DATE	APPV	DATE	DATE	DATE	DATE
		J. GEORTZ	OCT 05, 2023			
DIVISION	DIVISION CODE	© 3M COPYRIGHT 2024 This document and the information it contains are 3M property and may not be reproduced or further distributed without 3M permission, or used or disclosed other than for 3M authorized purposes. All rights reserved.				
DO NOT SCALE DRAWING	SCALE 4/1	TOLERANCES EXCEPT AS NOTED	<b>3M</b> Center St. Paul, MN 55144			
THIRD ANGLE PROJECTION	INCHES	0 ±.00	TITLE BOARDMOUNT D-SUB RIGHT ANGLE SOCKET, 50P CONNECTOR			
INTERPRET PER ASME Y14.5 - 2018	MILLIMETERS	0 ±.00	CAGE NUMBER D78-5100-2795-2			
MAX SURFACE ROUGHNESS	0 ±.00	0 ±.00	DRAWING NO. 78-5100-2795-2			
MARKED SURFACES	0 ±.00	0 ±.00	REV. A			
MARKED ONLY	ANGLES ±1°	0 ±.00	MODEL D-SUB			

78-5100-2795-2  
DRAWING NUMBER

A

SHT 2 OF 3

