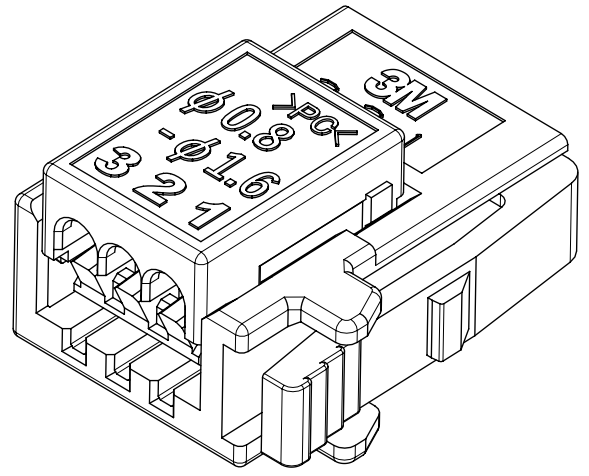


3M™ MINI-CLAMP III CONNECTOR, WIREMOUNT PLUG
37A SERIES

- * EASY, QUICK AND RELIABLE IDC TERMINATION
- * NO NEED TO STRIP WIRE INSULATION; SAVES TIME AND HELPS PREVENT WIRE DAMAGE
- * NO SPECIAL TOOLING NEEDED
- * ENABLES EASY FIELD TERMINATION
- * COMPACT DESIGN SAVES SPACE
- * COMPATIBLE WITH WIRE FROM 20 TO 30AWG

- NOTES
- REGULATORY INFORMATION:
VISIT 3M.com/regs
 - IN THE EVENT OF CONFLICT BETWEEN THIS DATA AND THAT CONTAINED IN THE PRODUCT SPECIFICATION, THE PRODUCT SPECIFICATION TAKES PRECEDENT.
 - REFERNECE PRODUCT SPECIFICATION PS-0414 FOR WIREMOUNT PLUG.
 - MATING COMPATIBILITY:
BOARDMOUNT SOCKET 372 SERIES
TECH SHEETS TS-2093 AND TS-2271
WIREMOUNT SOCKET 373 SERIES
TECH SHEETS TS-2094 AND TS-2234
WIREMOUNT SOCKET 37B SERIES
TECH SHEET TS-2767
COMMON SOCKET 37C SERIES
TECH SHEET TS-2696



3 POSITION WIREMOUNT PLUG
37A03-XXXX-W00 XX

2 PHYSICAL :

INSULATOR:
 BODY: PBT RESIN
 COVER: TOP (PC), BOTTOM (NYLON)
 COLOR: BODY/WHITE,
 COVER TOP/SEE TABLE 1, COVER BOTTOM/WHITE

CONTACT:
 MATERIAL: COPPER ALLOY
 PLATING:
 UNDER PLATING: NICKEL OVERALL
 WIPING AREA: GOLD
 IDC: TIN OR NICKEL
 SEE CONNECTOR ORDERING INFORMATION BELOW

MARKINGS: 3M LOGO, POSITION INDICATOR, WIRE GAUGE
 AND INSULATOR MATERIAL

2 ELECTRICAL :

VOLTAGE: AC/DC: 32V MAX.
 CURRENT: 3.0A MAX.

2 ENVIRONMENTAL :

TEMPERATURE: -20° C TO 85° C (Current 1A)
 -20° C TO 75° C (Current 2A)
 -20° C TO 65° C (Current 3A)

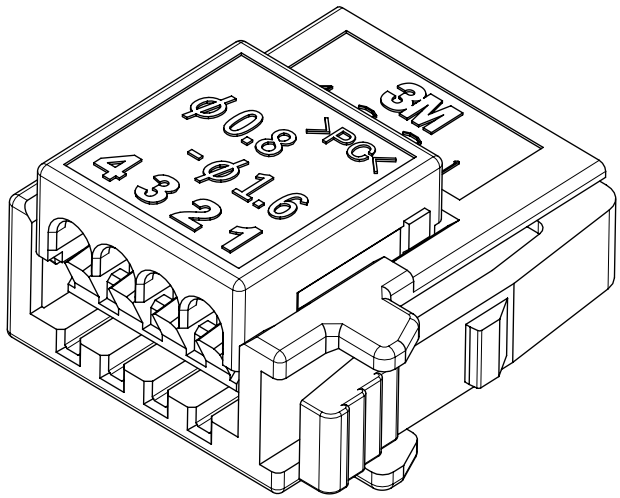
CONNECTOR ORDERING INFORMATION

37A0X-XXXX-W00 XX

TERMINAL QUANTITY:
 3 = 3 POSITIONS
 4 = 4 POSITIONS

PLATING SUFFIX:
 FL = WIPING AREA: GOLD OVER NICKEL
 IDC: NICKEL
 MB = WIPING AREA: GOLD OVER NICKEL
 IDC: TIN OVER NICKEL

WIRE SIZE CODE:
 C206 = 24-20 AWG
 D162 = 26-20 AWG
 E121 = 30-24 AWG



4 POSITION WIREMOUNT PLUG
37A04-XXXX-W00 XX

TABLE 1
AVAILABLE PRODUCTS AND WIRE ACCOMODATION

| PRODUCT NO. | 37A03-E121-W00 FL | 37A03-D162-W00 MB | 37A03-C206-W00 MB |
|--|-------------------|-------------------|-------------------|
| COVER COLOR | RED | YELLOW | GLAY |
| AWG NO. | AWG30-24 | AWG26-20 | AWG24-20 |
| NOMINAL CONDUCTOR CROSS-SECTIONAL AREA mm ² | 0.05-0.20sq | 0.12-0.50sq | 0.20-0.50sq |
| WIRE OUTER DIA. mm | 0.6-1.2 | 0.8-1.6 | 1.4-2.0 |

3M ELECTRONICS MATERIALS SOLUTIONS DIVISION
 INTERCONNECT SOLUTIONS
<http://www.3M.com/interconnect>

3M IS A TRADEMARK OF 3M COMPANY.
 FOR TECHNICAL, SALES OR ORDERING
 INFORMATION CALL 800-225-5373

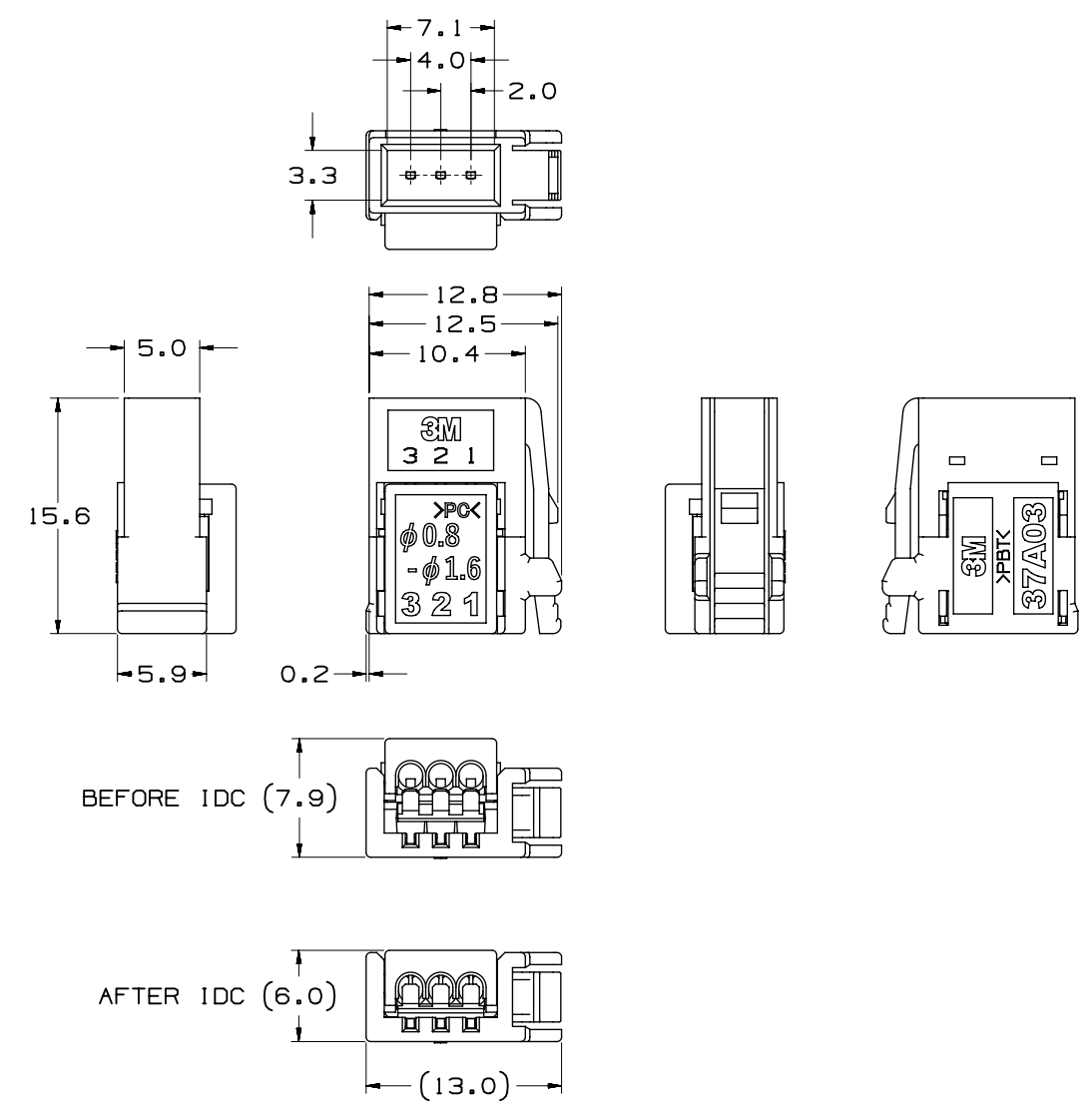
UL
 UL FILE NO.:E68080
 37A0X-C206-W00 MB
 37A0X-D162-W00 MB

UL
 UL FILE NO.:E68080
 37A0X-E121-W00 FL

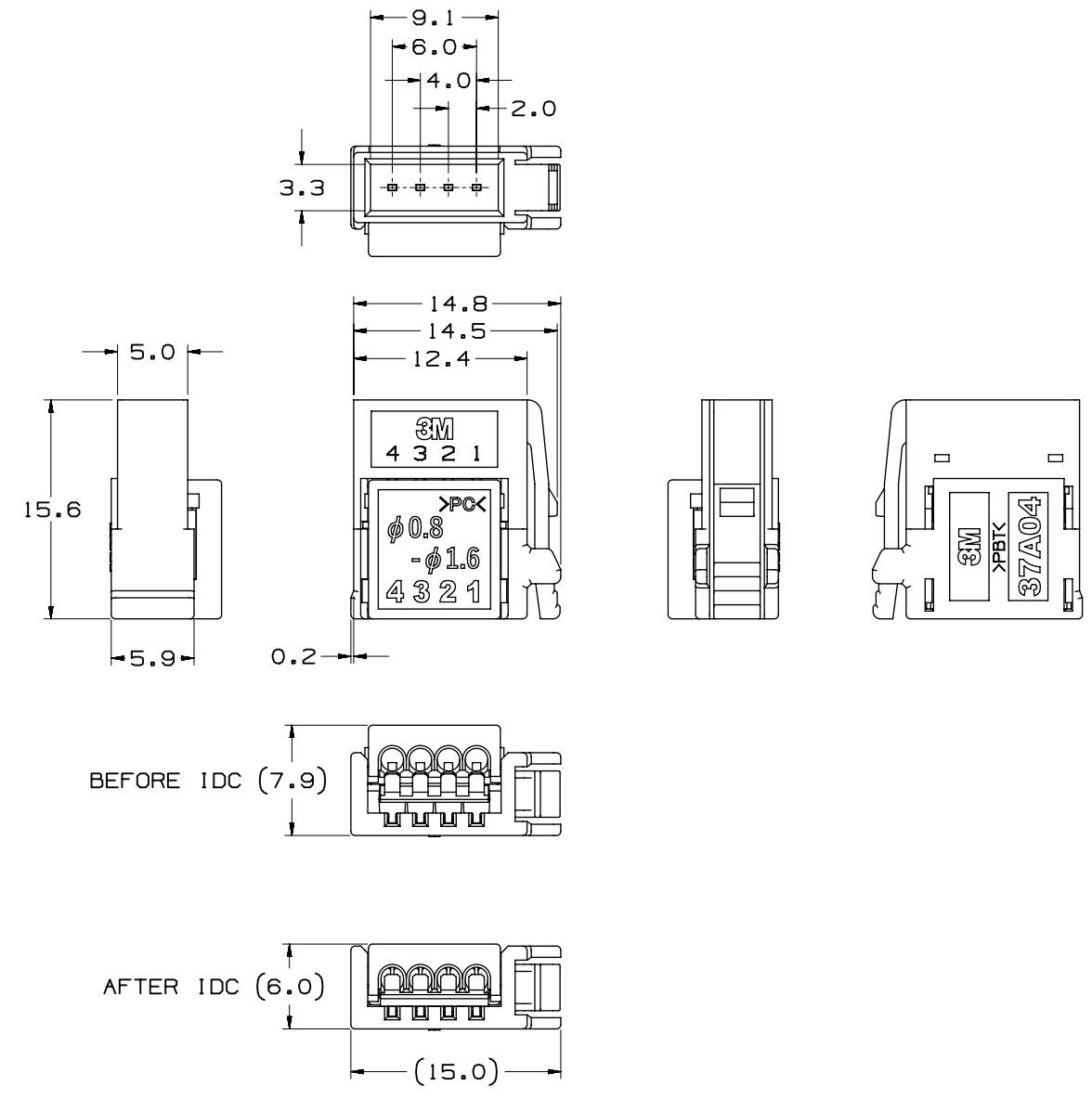
| | | | | | | |
|---------------------------|-------------------------------|---|-----|---|------|------|
| DESIGN REFERENCE | NEXT ASSEMBLY | REV | ECO | ISSUE DATE AND DESCRIPTION | DRFT | CHKD |
| | | | | JUL 6, 2022 INITIAL RELEASE | | |
| DO NOT SCALE DRAWING | SCALE 1 | TOLERANCES EXCEPT AS NOTED | | INCHES .00 ± .00 .000 ± .000 .0000 ± .0000 | | |
| THIRD ANGLE PROJECTION | INTERPRET PER ASME Y14.5 2018 | MILLIMETERS | | 0 ± .2 .0 ± .13 .000 ± .005 | | |
| MAX SURFACE ROUGHNESS 125 | MARKED ONLY | ANGLES | | 3M Center St. Paul, MN 55144 © 3M COPYRIGHT 2022 3M property and may not be reproduced or further distributed without 3M permission, or used or disclosed other than for 3M authorized purposes. All rights reserved. | | |
| | | TITLE MINI-CLAMP III CONNECTOR WIREMOUNT PLUG 37A0X-XXXX-W00 XX | | CAGE NUMBER D 78-5100-2766-3 | | |
| | | MODEL 125 | | REV. A SHT 1 OF 3 | | |

3M™ MINI-CLAMP III CONNECTOR, WIREMOUNT PLUG
37A SERIES

3 POSITION WIREMOUNT PLUG
37A03-XXXX-W00 XX



4 POSITION WIREMOUNT PLUG
37A04-XXXX-W00 XX



| | | | | | | | | |
|---------------------------|--------------|-------------------------------|-------------|---|-----------|----------------------------|-------------|--|
| DESIGN REFERENCE | | NEXT ASSEMBLY | | REV | ECO | ISSUE DATE AND DESCRIPTION | DRFT | CHKD |
| A 105616 | | JUL 6, 2022 | | M.K | T.O | INITIAL RELEASE | | |
| OFF | M. KOBAYASHI | DATE | JUL 6, 2022 | MFG | DATE | | | |
| CHKD | T. OHTA | DATE | JUL 6, 2022 | APPV | Y. KAWATE | DATE | JUL 6, 2022 | |
| DIVISION | | DIVISION CODE | | © 3M COPYRIGHT 2022 This document and the information it contains are 3M property and may not be reproduced or further distributed without 3M permission, or used or disclosed other than for 3M authorized purposes. All rights reserved. | | | | |
| DO NOT SCALE DRAWING | SCALE 4/1 | TOLERANCES EXCEPT AS NOTED | | INCHES .00 ± .000 ± .0000 ± | | | | |
| THIRD ANGLE PROJECTION | | INTERPRET PER ASME Y14.5-2018 | | MILLIMETERS 0 ± 2 .00 ± .013 .000 ± .005 | | | | |
| MAX SURFACE ROUGHNESS 125 | | MARKED ONLY | | CAGE NUMBER | | SIZE | DRAWING NO. | REV. |
| | | | | D 78-5100-2766-3 | | A | | |
| | | | | MODEL | | DET | LISTS | YES <input type="checkbox"/> NO <input checked="" type="checkbox"/> SHT 2 OF 3 |

78-5100-2766-3 Revision

8 7 6 5 4 3 2 1
**3M™ MINI-CLAMP III CONNECTOR, WIREMOUNT PLUG
 37A SERIES**

Regulatory: For regulatory information about this product, visit 3M.com/regs or contact your 3M representative.

Technical Information: The technical information, recommendations and other statements contained in this document are based upon tests or experience that 3M believes are reliable, but the accuracy or completeness of such information is not guaranteed.

Product Use: Many factors beyond 3M's control and uniquely within user's control can affect the use and performance of a 3M product in a particular application. Given the variety of factors that can affect the use and performance of a 3M product, user is solely responsible for evaluating the 3M product and determining whether it is fit for a particular purpose and suitable for user's method of application.

Warranty, Limited Remedy, and Disclaimer: Unless an additional warranty is specifically stated on the applicable 3M product packaging or product literature, 3M warrants that each 3M product meets the applicable 3M product specification at the time 3M ships the product. 3M MAKES NO OTHER WARRANTIES OR CONDITIONS, EXPRESS OR IMPLIED, INCLUDING, BUT NOT LIMITED TO, ANY IMPLIED WARRANTY OR CONDITION OF MERCHANTABILITY OR FITNESS FOR A PARTICULAR PURPOSE OR ANY IMPLIED WARRANTY OR CONDITION ARISING OUT OF A COURSE OF DEALING, CUSTOM OR USAGE OR TRADE. If the 3M product does not conform to this warranty, then the sole and exclusive remedy is, at 3M's option, replacement of the 3M product or refund of the purchase price.

Limitation of Liability: Except where prohibited by law, 3M will not be liable for any loss or damage arising from the 3M product, whether direct, indirect, special, incidental or consequential, regardless of the legal theory asserted, including warranty, contract, negligence or strict liability.

3M Company
 Electronics Materials Solutions Division
 13011 McCallen Pass, Bldg. C
 Austin, TX 78753-5380
 1-800-225-5373
www.3M.com/interconnect

| | | | | | | | | |
|---------------------------|-------------------------------|--|--|---|--------|---|------|------------|
| DESIGN REFERENCE | | NEXT ASSEMBLY | | REV | ECO | ISSUE DATE AND DESCRIPTION | DRFT | CHKD |
| | | | | A | 105616 | JUL 6, 2022 INITIAL RELEASE | M.K | T.O |
| OFF | | DATE | | DATE | | DATE | | |
| M. KOBAYASHI | | JUL 6, 2022 | | M.K | | JUL 6, 2022 | | |
| CHKD | | DATE | | DATE | | DATE | | |
| T. OHTA | | JUL 6, 2022 | | Y. KAWATE | | JUL 6, 2022 | | |
| DIVISION | | DIVISION CODE | | 3M Center St. Paul, MN 55144 | | © 3M COPYRIGHT 2022 This document and the information it contains are 3M property and may not be reproduced or further distributed without 3M permission, or used or disclosed other than for 3M authorized purposes. All rights reserved. | | |
| DO NOT SCALE DRAWING | SCALE 1/1 | TOLERANCES EXCEPT AS NOTED | | 3M | | TITLE | | |
| | | INCHES 0 ± .00 .000 ± .000 0.000 ± .000 | | MINI-CLAMP III CONNECTOR WIREMOUNT PLUG 37A0X-XXXX-W00 XX | | | | |
| THIRD ANGLE PROJECTION | INTERPRET PER ASME Y14.5 2018 | MILLIMETERS 0 ± .2 .00 ± .013 .000 ± .005 | | CAGE NUMBER | | DRAWING NO. | | REV. |
| MAX SURFACE ROUGHNESS 125 | MARKED SURFACES | ANGLES ± .1 | | D 78-5100-2766-3 | | A | | |
| | | | | MODEL | | DET. YES <input type="checkbox"/> NO <input checked="" type="checkbox"/> | | SHT 3 OF 3 |

DRAWING NUMBER 78-5100-2766-3