

3M™ MINI-CLAMP III CONNECTOR, WIREMOUNT SOCKET
37B SERIES

- * EASY, QUICK AND RELIABLE IDC TERMINATION
- * NO NEED TO STRIP WIRE INSULATION; SAVES TIME AND HELPS PREVENT WIRE DAMAGE
- * NO SPECIAL TOOLING NEEDED
- * ENABLES EASY FIELD TERMINATION
- * COMPACT DESIGN SAVES SPACE
- * COMPATIBLE WITH WIRE FROM 20 TO 26AWG
- * LATCHES AVAILABLE FOR PANEL MOUNT APPLICATIONS

NOTES

- REGULATORY INFORMATION:
VISIT 3M.com/regs
- IN THE EVENT OF CONFLICT BETWEEN THIS DATA AND THAT CONTAINED IN THE PRODUCT SPECIFICATION, THE PRODUCT SPECIFICATION TAKES PRECEDENT.
- REFERNECE PRODUCT SPECIFICATION PS-0415 FOR WIREMOUNT SOCKET.
- MATING COMPATIBILITY:
WIREMOUNT PLUG 371 SERIES
TECH SHEETS TS-2092 AND TS-2233
WIREMOUNT PLUG 37A SERIES
TECH SHEET TS-22766

2 PHYSICAL :

INSULATOR:
 BODY: PBT RESIN
 COVER: TOP (PC), BOTTOM (NYLON)
 COLOR: BODY/WHITE,
 COVER TOP/SEE TABLE 1, COVER BOTTOM/WHITE

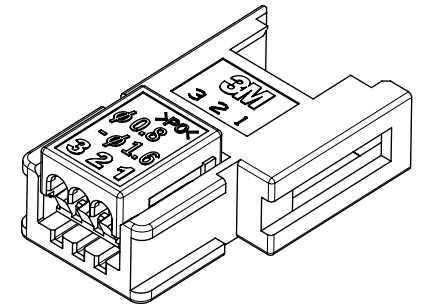
CONTACT:
 MATERIAL: COPPER ALLOY
 PLATING:
 UNDER PLATING: NICKEL OVERALL
 WIPING AREA: GOLD
 IDC: TIN
 MARKINGS: 3M LOGO, POSITION INDICATOR, WIRE GAUGE AND INSULATOR MATERIAL

2 ELECTRICAL :

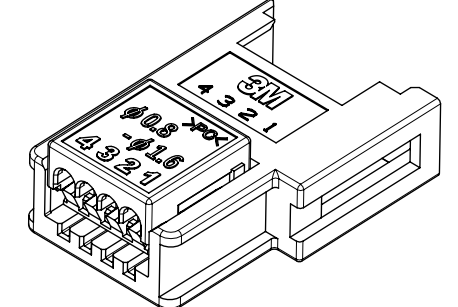
VOLTAGE: AC/DC: 32V MAX.
 CURRENT: 3.0A MAX.

2 ENVIRONMENTAL :

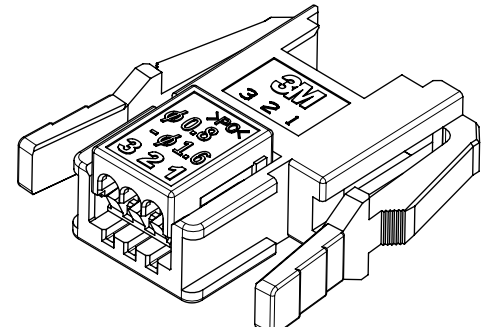
TEMPERATURE: -20° C TO 85° C (Current 1A)
 -20° C TO 75° C (Current 2A)
 -20° C TO 65° C (Current 3A)



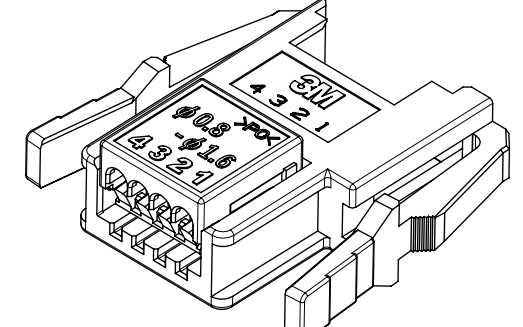
3 POSITION WIREMOUNT SOCKET ORIGINAL (NO LATCHES)
37B03-XXXX-W00 MB



4 POSITION WIREMOUNT SOCKET ORIGINAL (NO LATCHES)
37B04-XXXX-W00 MB



3 POSITION WIREMOUNT SOCKET PANEL MOUNT TYPE (WITH LATCHES)
37B03-XXXX-WPO MB



4 POSITION WIREMOUNT SOCKET PANEL MOUNT TYPE (WITH LATCHES)
37B04-XXXX-WPO MB

CONNECTOR ORDERING INFORMATION

37BOX-XXXX-WXO MB

TERMINAL QUANTITY:
 3 = 3 POSITIONS
 4 = 4 POSITIONS

WIRE SIZE CODE:
 C206 = 24-20 AWG
 D162 = 26-20 AWG

PLATING SUFFIX
 O = ORIGINAL (NO LATCHES)
 P = PANEL MOUNT TYPE (WITH LATCHES)

TABLE 1
AVAILABLE PRODUCTS AND WIRE ACCOMODATION

PRODUCT NO.	ORIGINAL (NO LATCHES)	37B03-D162-W00 MB	37B03-C206-W00 MB
	PANEL MOUNT TYPE (WITH LATCHES)	37B04-D162-W00 MB	37B04-C206-W00 MB
COVER COLOR		YELLOW	GLAY
AWG NO.		AWG26-20	AWG24-20
NOMINAL CONDUCTOR CROSS-SECTIONAL AREA mm ²		0.12-0.50sq	0.20-0.50sq
WIRE OUTER DIA. mm		0.8-1.6	1.4-2.0

3M ELECTRONICS MATERIALS SOLUTIONS DIVISION
 INTERCONNECT SOLUTIONS
<http://www.3M.com/interconnect>
 3M IS A TRADEMARK OF 3M COMPANY.
 FOR TECHNICAL, SALES OR ORDERING INFORMATION CALL 800-225-5373

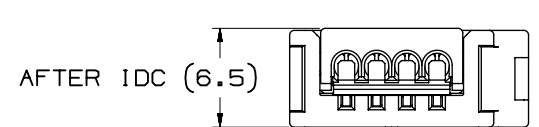
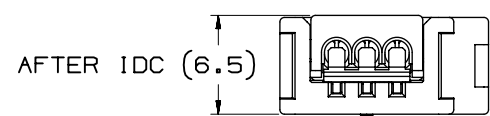
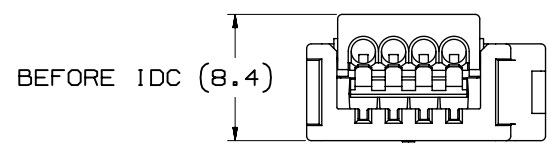
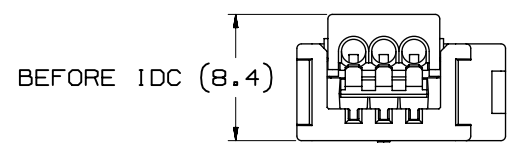
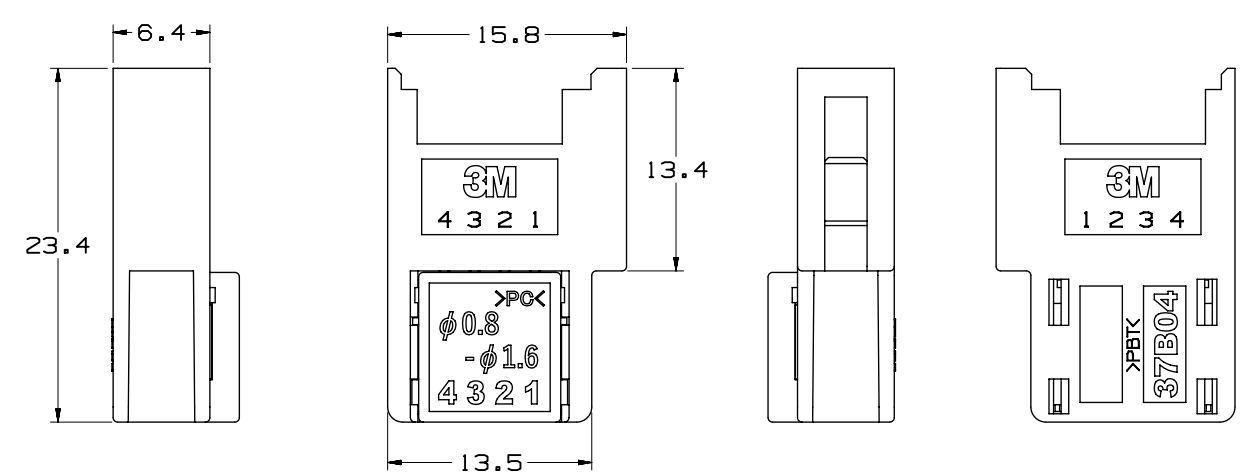
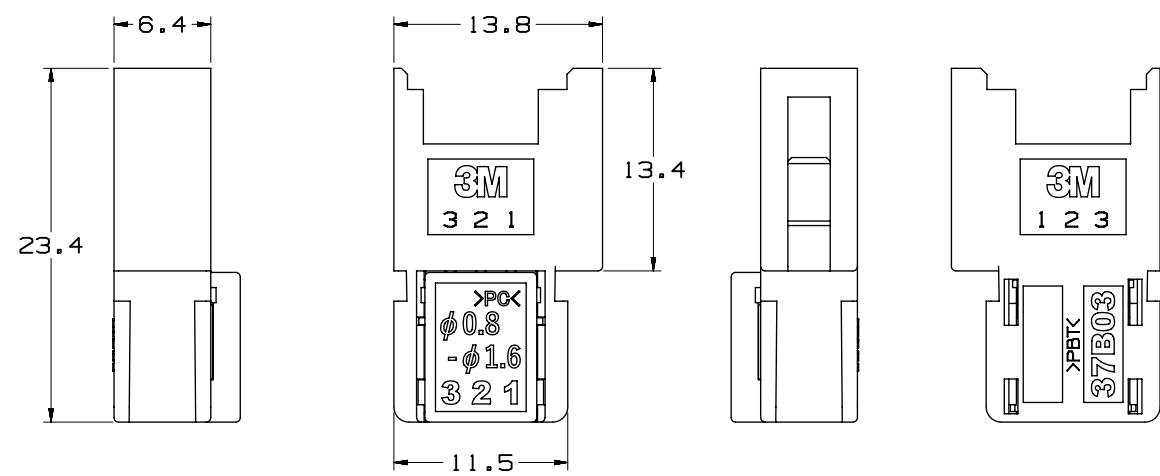
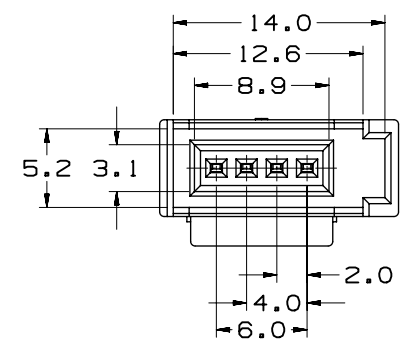
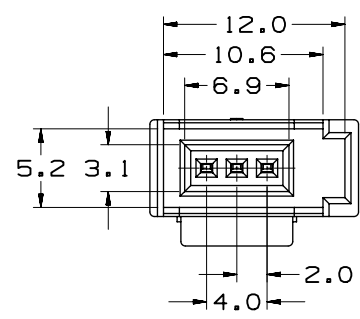


DESIGN REFERENCE	NEXT ASSEMBLY	REV	ECO	ISSUE DATE AND DESCRIPTION	DRFT	CHKD
				AUG 23, 2022		
OFF: M. KOBAYASHI DATE: AUG 23, 2022 APPR: T. OHTA DATE: AUG 23, 2022 APPR: Y. KAWATE DATE: AUG 23, 2022		© 3M COPYRIGHT 2022 This document and the information it contains are 3M property and may not be reproduced or further distributed without 3M permission, or used or disclosed other than for 3M authorized purposes. All rights reserved.				
DO NOT SCALE DRAWING SCALE 4/1 TOLERANCES EXCEPT AS NOTED INCHES .00 ± .000 ± .0000 ±		TITLE MINI-CLAMP III CONNECTOR WIREMOUNT SOCKET 37BOX-XXXX-WXO MB				
THIRD ANGLE PROJECTION INTERPRET PER ASME Y14.5-2018 MAX SURFACE ROUGHNESS 125 / SURFACES MARKED ONLY		MILLIMETERS 0 ±.2 .00 ±.013 .000 ±.005				
MODEL		CAGE NUMBER D78-5100-2767-1		DRAWING NO. D78-5100-2767-1		REV. A
DET. <input type="checkbox"/> YES <input checked="" type="checkbox"/> NO		SHT 1 OF 4				

3M™ MINI-CLAMP III CONNECTOR, WIREMOUNT SOCKET
37B SERIES

3 POSITION WIREMOUNT SOCKET
ORIGINAL (NO LATCHES)
37B03-XXXX-W00 MB

4 POSITION WIREMOUNT SOCKET
ORIGINAL (NO LATCHES)
37B04-XXXX-W00 MB

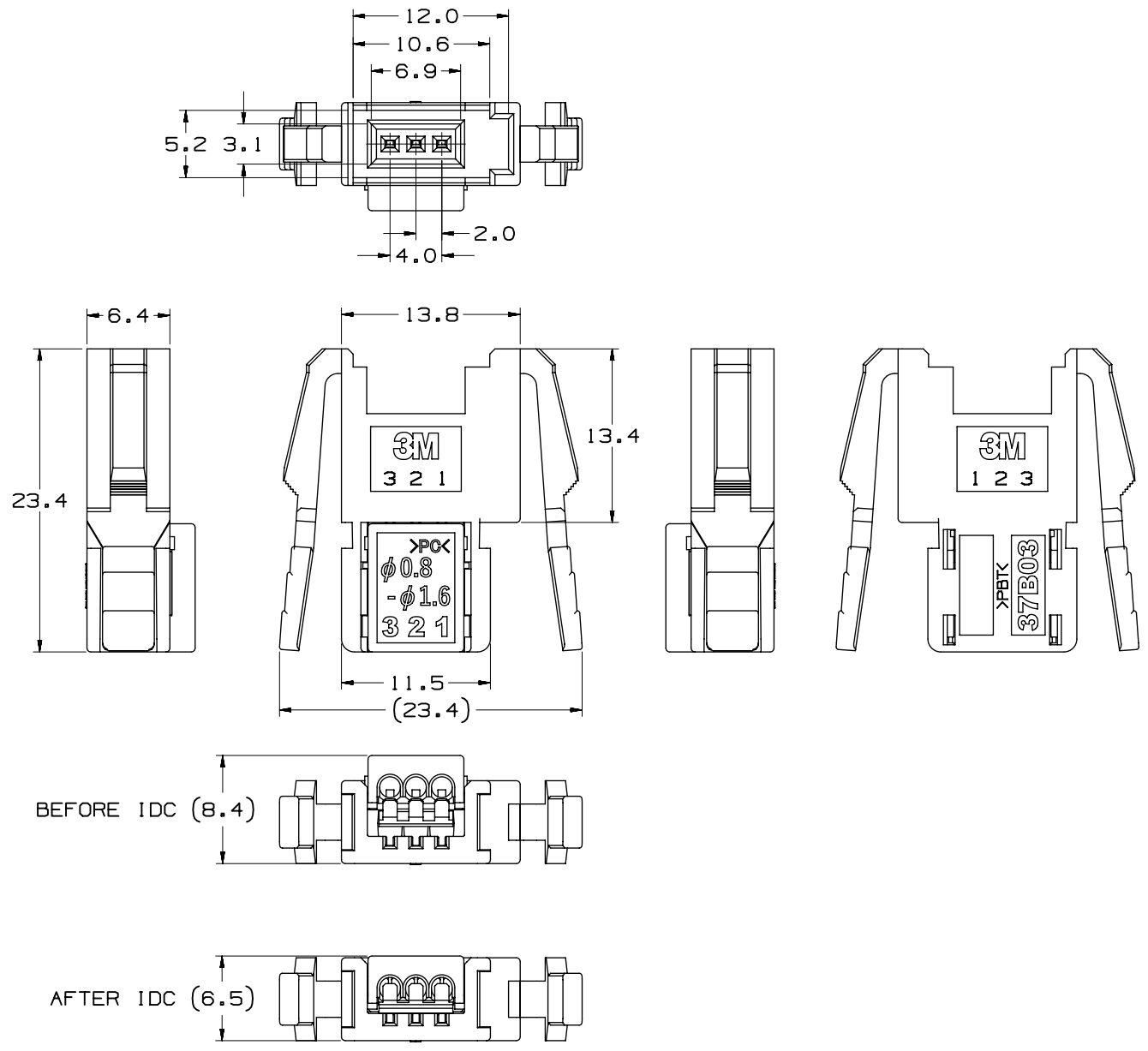


DESIGN REFERENCE		NEXT ASSEMBLY		REV	ECO	ISSUE DATE AND DESCRIPTION	DRFT	CHKD
A 105617		AUG 23, 2022		ECO		INITIAL RELEASE	M.K	T.O
OFF		DATE		DATE		DATE		
M. KOBAYASHI		AUG 23, 2022		MFB				
DRKD		DATE		DATE		DATE		
T. OHTA		AUG 23, 2022		Y. KAWATE		AUG 23, 2022		
DIVISION		DIVISION CODE		© 3M COPYRIGHT 2022 This document and the information it contains are 3M property and may not be reproduced or further distributed without 3M permission, or used or disclosed other than for 3M authorized purposes. All rights reserved.				
DO NOT SCALE DRAWING		SCALE 4/1		TOLERANCES EXCEPT AS NOTED INCHES .00 ± .000 ± .0000 ± MILLIMETERS 0 ± .2 .00 ± .013 .000 ± .005				
THIRD ANGLE PROJECTION		INTERPRET PER ASME Y14.5 2018		TITLE MINI-CLAMP III CONNECTOR WIREMOUNT SOCKET 37B0X-XXXX-WX0 MB				
MAX SURFACE ROUGHNESS 125		LIT SURFACES MARKED ONLY		CAGE NUMBER		DRAWING NO.		REV.
				D 78-5100-2767-1		A		
				MODEL		DET		SHT 2 OF 4

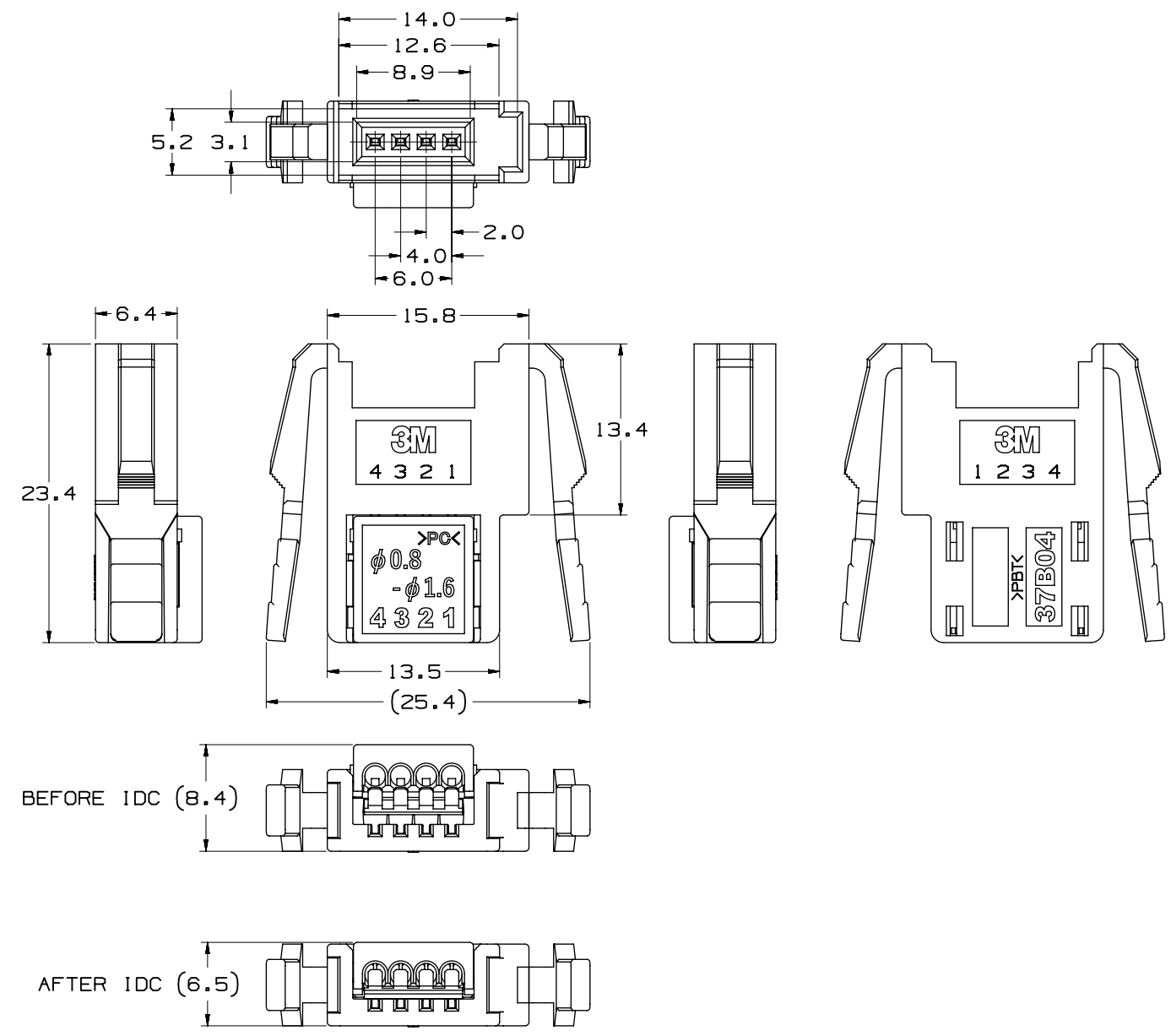
78-5100-2767-1

3M™ MINI-CLAMP III CONNECTOR, WIREMOUNT SOCKET
37B SERIES

3 POSITION WIREMOUNT SOCKET
PANEL MOUNT TYPE (WITH LATCHES)
37B03-XXXX-WPO MB



4 POSITION WIREMOUNT SOCKET
PANEL MOUNT TYPE (WITH LATCHES)
37B04-XXXX-WPO MB

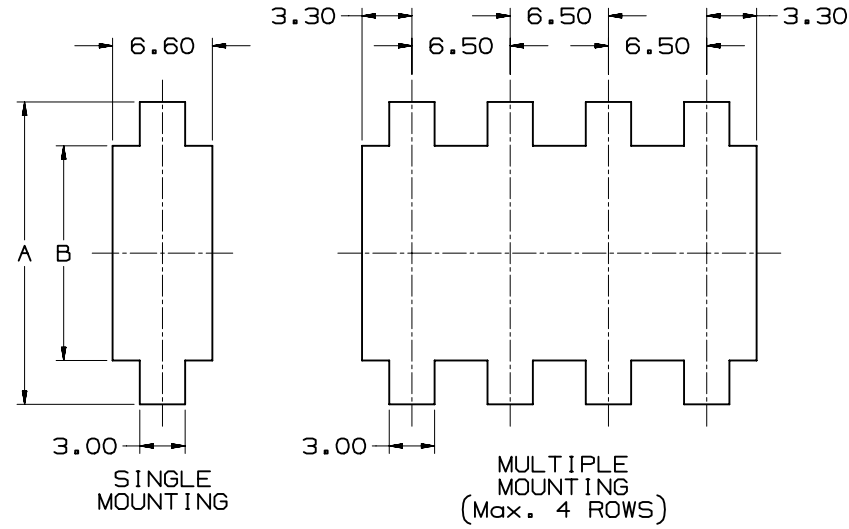


DESIGN REFERENCE		NEXT ASSEMBLY		REV	ECO	ISSUE DATE AND DESCRIPTION		DRFT	CHKD
A 105617		AUG 23, 2022				INITIAL RELEASE		M.K	T.O
OFF		DATE		DATE		DATE		DATE	
M. KOBAYASHI		AUG 23, 2022		MFB					
CHKD		DATE		APPR		DATE		DATE	
T. OHTA		AUG 23, 2022		Y. KAWATE		AUG 23, 2022			
DIVISION		DIVISION CODE							
DO NOT SCALE DRAWING		SCALE 4/1		TOLERANCES EXCEPT AS NOTED INCHES .00 ± .000 ± .0000 ± MILLIMETERS 0 ± .2 .00 ± .13 .000 ± .005 MAX SURFACE ROUGHNESS 125 / SURFACES MARKED ONLY					
THIRD ANGLE PROJECTION		INTERPRET PER ASME Y14.5 2018		TITLE MINI-CLAMP III CONNECTOR WIREMOUNT SOCKET 37B0X-XXXX-WX0 MB CAGE NUMBER D78-5100-2767-1 MODEL DET. <input type="checkbox"/> YES <input checked="" type="checkbox"/> NO SHT 3 OF 4					

78-5100-2767-1

3M™ MINI-CLAMP III CONNECTOR, WIREMOUNT SOCKET
37B SERIES

PANEL CUTOUT
37XOX-XXXX-WPO MB
WIREMOUNT SOCKET WITH LATCHES



PANEL THICKNESS	DIM. A		DIM. B
	1.0 to 1.2mm	1.4 to 1.6mm	
37B03-C206-WPO MB 37B03-D162-WPO MB	20.00	20.40	14.20
37B04-C206-WPO MB 37B04-D162-WPO MB	22.00	22.40	16.20

Regulatory: For regulatory information about this product, visit 3M.com/regs or contact your 3M representative.

Technical Information: The technical information, recommendations and other statements contained in this document are based upon tests or experience that 3M believes are reliable, but the accuracy or completeness of such information is not guaranteed.

Product Use: Many factors beyond 3M's control and uniquely within user's control can affect the use and performance of a 3M product in a particular application. Given the variety of factors that can affect the use and performance of a 3M product, user is solely responsible for evaluating the 3M product and determining whether it is fit for a particular purpose and suitable for user's method of application.

Warranty, Limited Remedy, and Disclaimer: Unless an additional warranty is specifically stated on the applicable 3M product packaging or product literature, 3M warrants that each 3M product meets the applicable 3M product specification at the time 3M ships the product. 3M MAKES NO OTHER WARRANTIES OR CONDITIONS, EXPRESS OR IMPLIED, INCLUDING, BUT NOT LIMITED TO, ANY IMPLIED WARRANTY OR CONDITION OF MERCHANTABILITY OR FITNESS FOR A PARTICULAR PURPOSE OR ANY IMPLIED WARRANTY OR CONDITION ARISING OUT OF A COURSE OF DEALING, CUSTOM OR USAGE OR TRADE. If the 3M product does not conform to this warranty, then the sole and exclusive remedy is, at 3M's option, replacement of the 3M product or refund of the purchase price.

Limitation of Liability: Except where prohibited by law, 3M will not be liable for any loss or damage arising from the 3M product, whether direct, indirect, special, incidental or consequential, regardless of the legal theory asserted, including warranty, contract, negligence or strict liability.

3M Company
Electronics Materials Solutions Division
13011 McCallen Pass, Bldg. C
Austin, TX 78753-5380
1-800-225-5373
www.3M.com/interconnect

DESIGN REFERENCE	NEXT ASSEMBLY	REV	ECO	ISSUE DATE AND DESCRIPTION	DRFT	CHKD
				AUG 23, 2022		
MATERIALS		APP'D	DATE	MFG DATE		
M. KOBAYASHI		T. OHTA	AUG 23, 2022	AUG 23, 2022		
DIVISION		DIVISION CODE		DATE		
DO NOT SCALE DRAWING		SCALE	TOLERANCES EXCEPT AS NOTED			
THIRD ANGLE PROJECTION		4/1	INCHES			
INTERPRET PER ASME Y14.5 2018			MILLIMETERS			
MAX SURFACE ROUGHNESS			0 ± .2			
125 SURFACES			.00 ± .013			
MARKED ONLY			.000 ± .005			
			ANGLES ± .1			
		3M Center		© 3M COPYRIGHT 2022		
		St. Paul, MN 55144		This document and the information it contains are 3M property and may not be reproduced or further distributed without 3M permission, or used or disclosed other than for 3M authorized purposes. All rights reserved.		
		3M		MINI-CLAMP III CONNECTOR WIREMOUNT SOCKET 37B0X-XXXX-WX0 MB		
		CAGE NUMBER	SIZE	DRAWING NO.	REV.	
		D78-5100-2767-1	D	78-5100-2767-1	A	
		MODEL		DET. LISTS YES NO SHT 4 OF 4		