

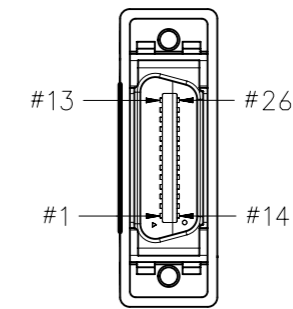
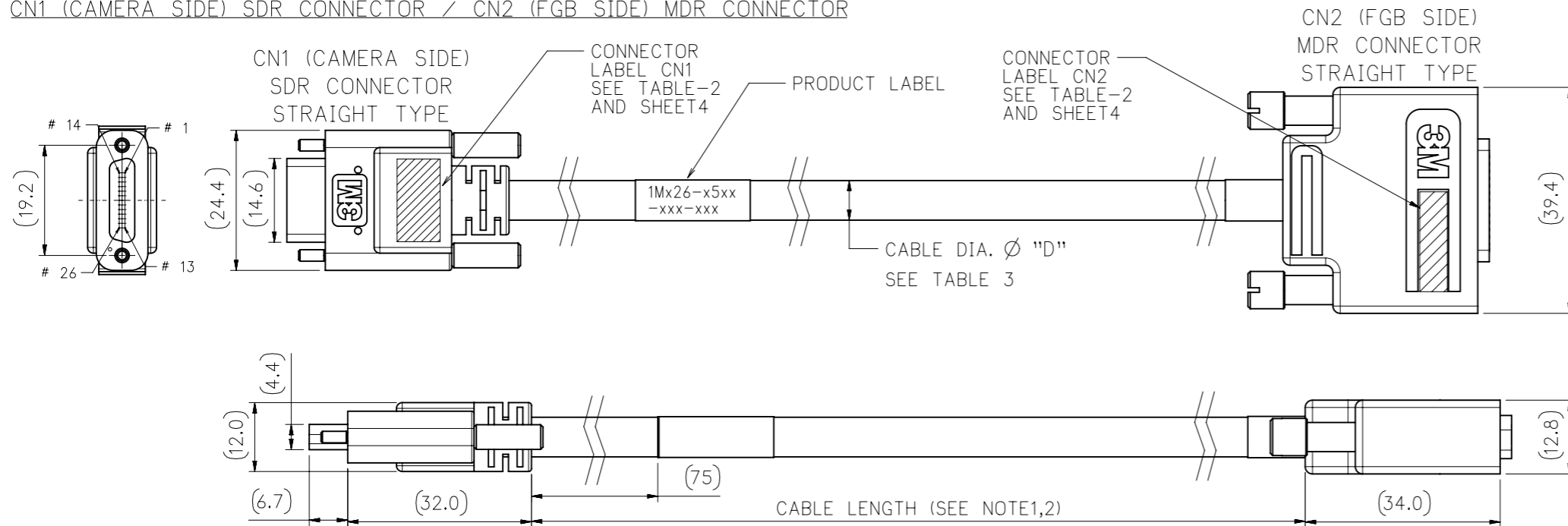
3M™ CAMERA LINK INDUSTRIAL CAMERA CABLE ASSEMBLY, MDR/SDR, 1Mx26-x5xx SERIES

- SUPPORT CAMERA LINK STANDARD
- DOUBLE OVERALL SHEILDDED CABLE AND EMI SHIELDED SHELL
- OPTIONAL R/A CONNECTOR ELIMINATE CABLE BENDING NEAR CAMERA
- OFFERING THINNER CABLE FOR BASE AND MEDIUM CONFIGURATION CAMERA
- ROHS COMPLIANT

NOTES

1	THE TOLERANCE OF HARNESS LENGTH IS LARGER VALUE OF EITHER +50mm/0 OR +3%/0 OF ORDER LENGTH
2	SEE TABLE-4 AND PART NUMBER SCHEME FOR IDENTIFYING CABLE LENGTHS IN SHEET4

CN1 (CAMERA SIDE) SDR CONNECTOR / CN2 (FGB SIDE) MDR CONNECTOR



PIN NO.

TABLE-2: CONNECTOR LABEL INDICATION
SEE SHEET 4 FOR LABEL TYPE AND PART NUMBER

LABEL TYPE	L-1	L-2	L-3	L-4
CN1	PoCL	PoCL Camera Side	CAMERA SIDE	(NO LABEL)
CN2	PoCL	PoCL	(NO LABEL)	(NO LABEL)

CN1 (CAMERA SIDE) MDR CONNECTOR / CN2 (FGB SIDE) SDR CONNECTOR

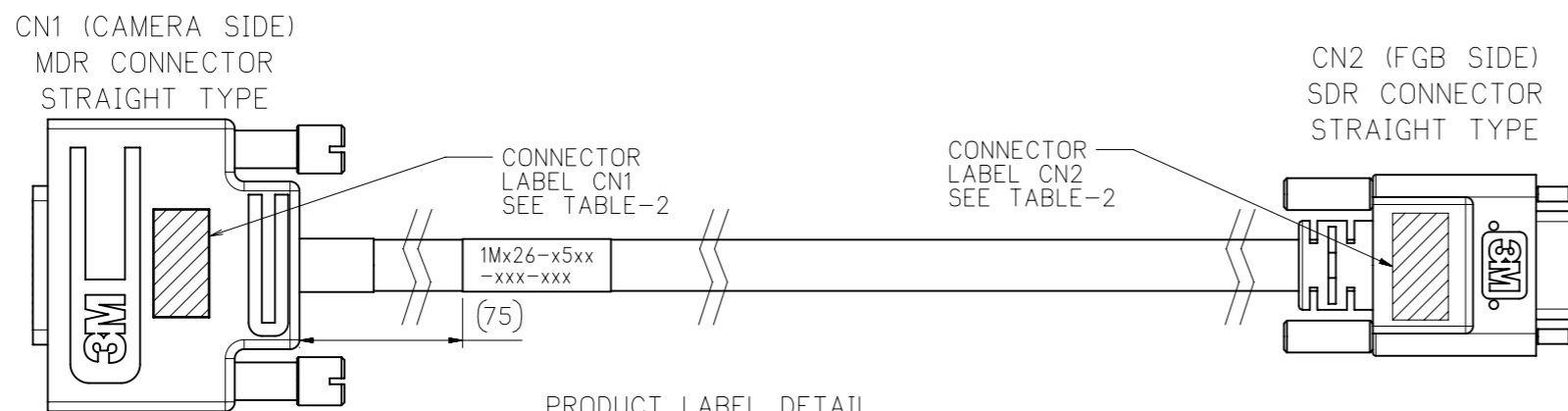
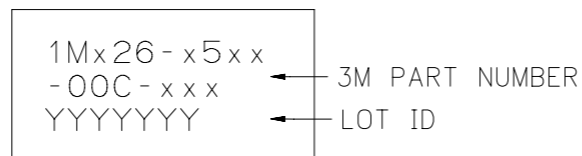


TABLE-1

PERFORMANCE	
TEMPERATURE RATING	70° C
VOLTAGE RATING	30 V
CURRENT RATING	0.5A
DIFFERENTIAL IMPEDANCE	100 OHM (HIGH SPEED LINE)
CABLE FLAMMABILITY	UL AWM VW-1
CONTACT PLATING	0.76 MICRON AU UNDER NI

PRODUCT LABEL DETAIL



TOLERANCES EXCEPT AS NOTED	DFTG Y. KAWATE	DATE 11/11/23
INCHES .0 ± .5 .00 ± .20 .000 ±	CHKD M. NAITOU	DATE 11/11/23
	MFG	DATE
MILLIMETERS .0 ± .5 .00 ± .20 .000 ± N/A	APPVLY. KAWATE	DATE 11/11/23
	©3M COPYRIGHT 2023 THIS DOCUMENT CONTAINS INFORMATION WHICH IS PROPRIETARY TO 3M COMPANY. NO REPRODUCTION OR PUBLICATION OF THIS DOCUMENT, IN WHOLE OR IN PART, SHALL BE MADE WITHOUT AUTHORIZATION FROM 3M.	
ANGLES ±5°	THIRD ANGLE PROJECTION	

A	0112866	INITIAL RELEASE	Nov.11, 2023	Y.K	M.N
REV.	ECO	ISSUE DATE AND DESCRIPTION		DRFT	CHKD
3M		3M Center St. Paul, MN 55144	DIVISION EMSD	MODEL	
TITLE		3M™ CAMERA LINK INDUSTRIAL CAMERA CABLE ASSEMBLY, MDR/SDR, 1Mx26-x5xx SERIES			
FSCM NO.	SIZE A3	DRAWING NO. 78-5100-2802-6		REV. A	
SCALE		DET LISTS <input type="checkbox"/> YES <input type="checkbox"/> NO		SHT 1 OF 5	

DRAWING NO. 78-5100-2802-6 A REV.

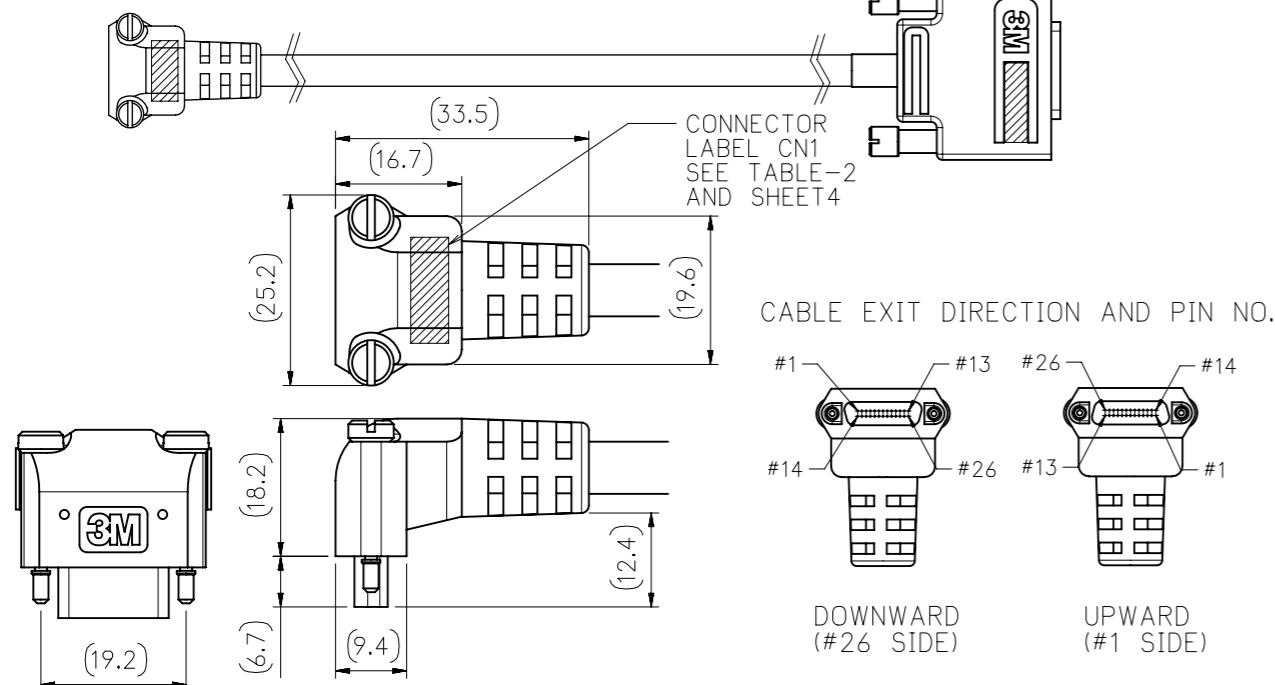
3M™ CAMERA LINK INDUSTRIAL CAMERA CABLE ASSEMBLY, MDR/SDR, 1Mx26-x5xx SERIES

RIGHT ANGLE CONNECTOR DIMENSIONS

CN1 (CAMERA SIDE) SDR RIGHT ANGLE CONNECTOR / CN2 (FGB SIDE) MDR CONNECTOR

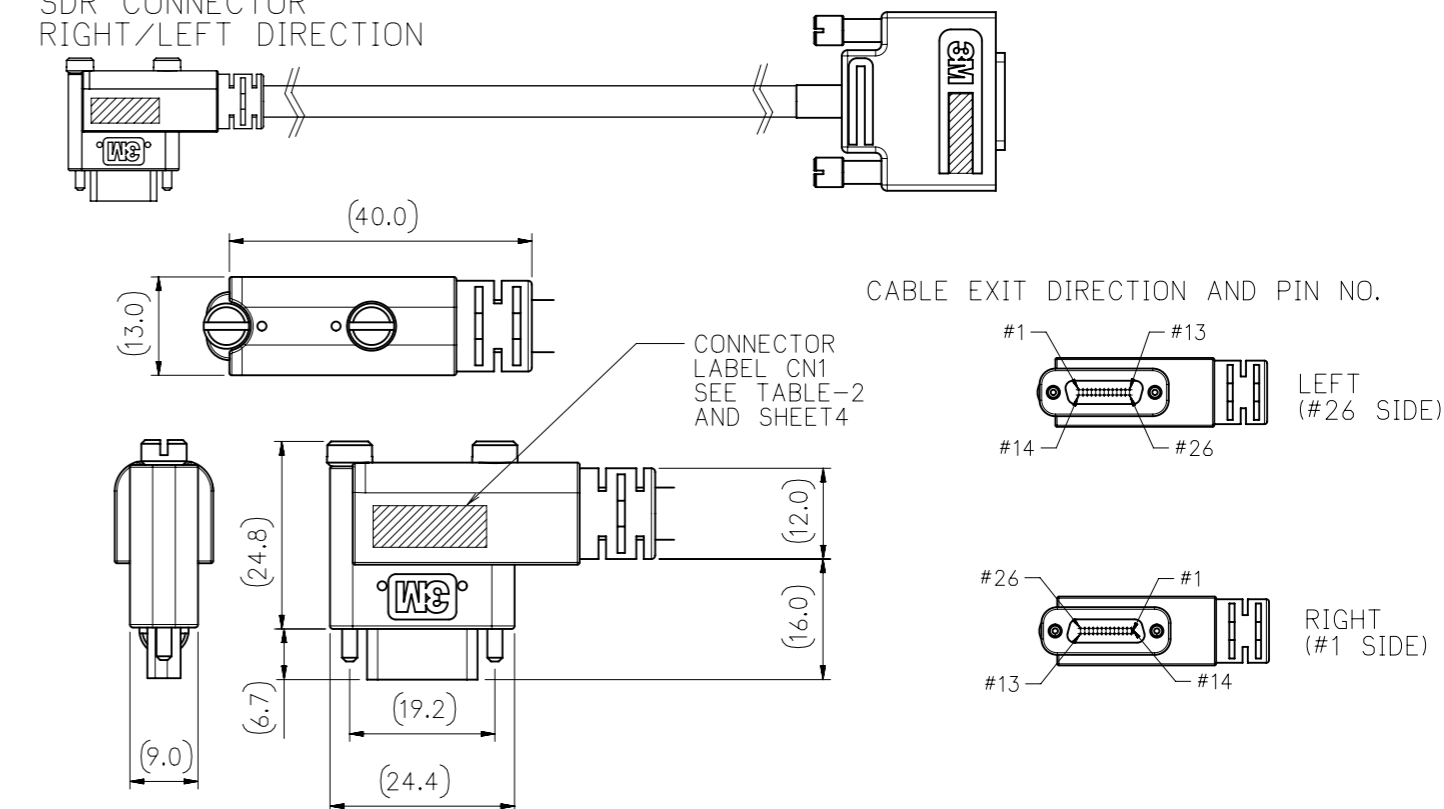
CN1 (CAMERA SIDE)
SDR CONNECTOR
UP/DOWN DIRECTION

CN2 (FGB SIDE)
MDR CONNECTOR STRAIGHT TYPE



CN1 (CAMERA SIDE)
SDR CONNECTOR
RIGHT/LEFT DIRECTION

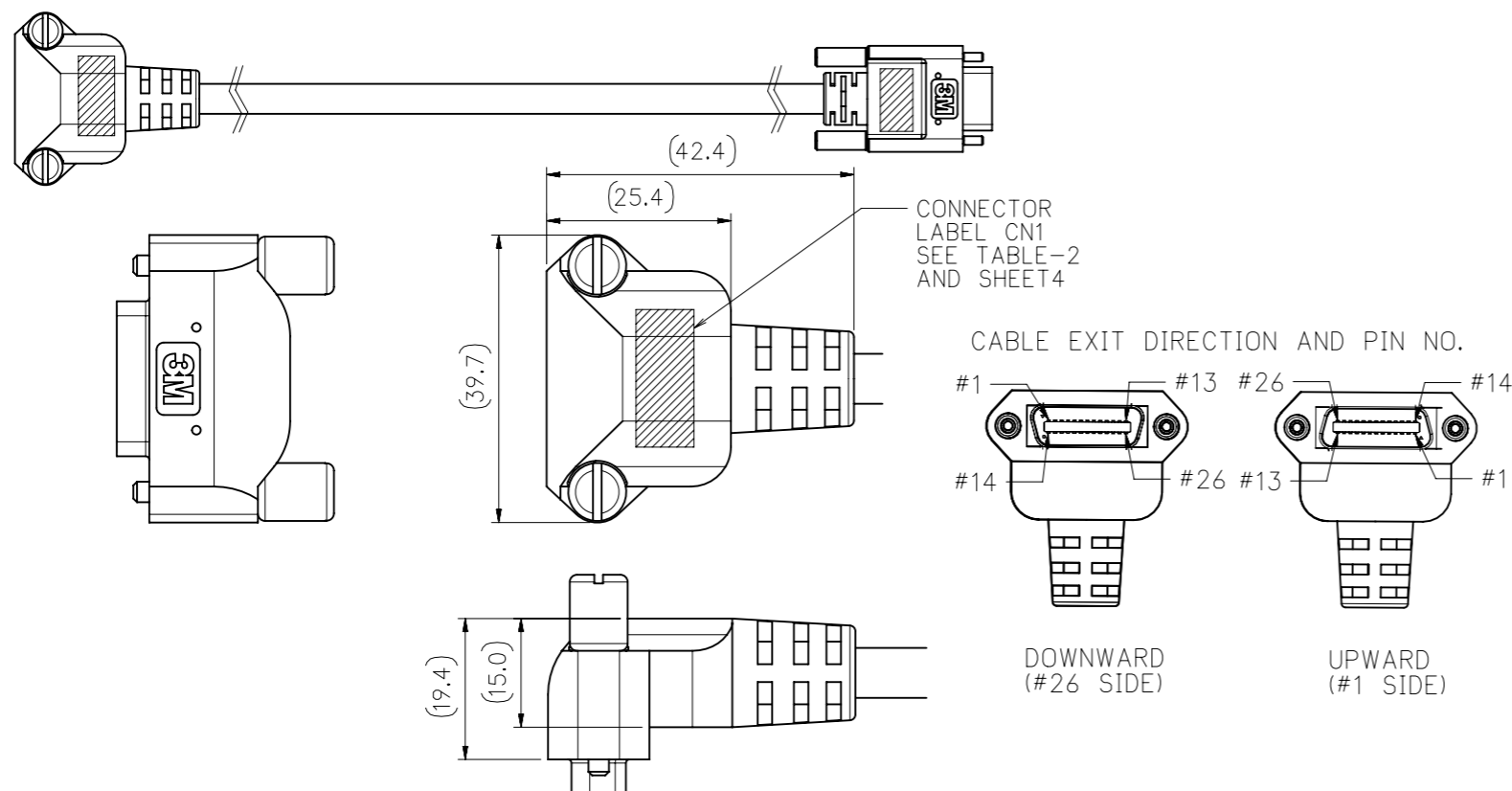
CN2 (FGB SIDE)
MDR CONNECTOR STRAIGHT TYPE



CN1 (CAMERA SIDE) MDR RIGHT ANGLE CONNECTOR / CN2 (FGB SIDE) SDR CONNECTOR

CN1 (CAMERA SIDE)
MDR CONNECTOR
UP/DOWN DIRECTION

CN2 (FGB SIDE)
SDR CONNECTOR STRAIGHT TYPE



TOLERANCES EXCEPT AS NOTED	DFTG	Y. KAWATE	DATE	11/11/23
	CHKD	M. NAITOU	DATE	11/11/23
	MFG		DATE	
	APPVL	Y. KAWATE	DATE	11/11/23
© 3M COPYRIGHT 2023 THIS DOCUMENT CONTAINS INFORMATION WHICH IS PROPRIETARY TO 3M COMPANY. NO REPRODUCTION OR PUBLICATION OF THIS DOCUMENT, IN WHOLE OR IN PART, SHALL BE MADE WITHOUT AUTHORIZATION FROM 3M.				
MILLIMETERS				
.0	± .5			
.00	± .20			
.000	± N/A			
ANGLES ±5°				

A	0112866	INITIAL RELEASE	Nov.11, 2023	Y.K	M.N
REV.	ECO	ISSUE DATE AND DESCRIPTION		DRFT	CHKD
3M 3M Center St. Paul, MN 55144		DIVISION	EMSD	MODEL	
		DIVISION CODE			
TITLE 3M™ CAMERA LINK INDUSTRIAL CAMERA CABLE ASSEMBLY, MDR/SDR, 1Mx26-x5xx SERIES					
FSCM NO.	SIZE	DRAWING NO.		REV.	
	A3	78-5100-2802-6		A	
SCALE		DET LISTS <input type="checkbox"/> YES <input type="checkbox"/> NO		SHT 2 OF 5	

DRAWING NO. 78-5100-2802-6 A REV.

3M™ CAMERA LINK INDUSTRIAL CAMERA CABLE ASSEMBLY, MDR/SDR, 1Mx26-x5xx SERIES

1MD26-35xx, 1ME26-35xx
POCL OR CAMERA LINK
FOR BASE OR MEDIUM
CONFIGURATIONS
AND FIXED USE

1MD26-R5xx, 1ME26-R5xx
POCL OR CAMERA LINK
FOR BASE OR MEDIUM
CONFIGURATIONS
AND FLEX MOTION USE

1MB26-L5xx
POCL OR CAMERA LINK
FOR ALL CONFIGURATIONS
AND FIXED USE

1MA26-35xx
CAMERA LINK (NON POCL)
FOR BASE OR MEDIUM
CONFIGURATIONS
AND FIXED USE

1MF26-L5xx
CAMERA LINK (NON POCL)
FOR ALL CONFIGURATIONS
AND FIXED USE

CN1 Pin No.	CN2 Pin No.	CAMERA LINK SIGNAL	CABLE
2	25	X0-	QUAD1
15	12	X0+	
3	24	X1-	
16	11	X1+	QUAD2
4	23	X2-	
17	10	X2+	
5	22	Xclk-	QUAD3
18	9	Xclk+	
6	21	X3-	
19	8	X3+	QUAD4
7	20	SerTC+	
20	7	SerTC-	
8	19	SerTFG-	TWISTED PAIR 1
21	6	SerTFG+	TWISTED PAIR 2
9	18	CC1-	TWISTED PAIR 3
22	5	CC1+	
10	17	CC2+	
23	4	CC2-	TWISTED PAIR 4
11	16	CC3-	
24	3	CC3+	
12	15	CC4+	TWISTED PAIR 5
25	2	CC4-	
1	1	Power	
26	26	Power	
13	13	INNER SHIELD	DRAIN WIRE
14	14	INNER SHIELD	
Shell	Shell	BRAID SHIELD	

CN1 Pin No.	CN2 Pin No.	CAMERA LINK SIGNAL	CABLE
2	25	X0-	QUAD1
15	12	X0+	
3	24	X1-	
16	11	X1+	QUAD2
4	23	X2-	
17	10	X2+	
5	22	Xclk-	QUAD3
18	9	Xclk+	
6	21	X3-	
19	8	X3+	QUAD4
7	20	SerTC+	
20	7	SerTC-	
8	19	SerTFG-	TWISTED PAIR 1
21	6	SerTFG+	TWISTED PAIR 2
9	18	CC1-	TWISTED PAIR 3
22	5	CC1+	
10	17	CC2+	
23	4	CC2-	TWISTED PAIR 4
11	16	CC3-	
24	3	CC3+	
12	15	CC4+	TWISTED PAIR 5
25	2	CC4-	
1	1	Power	
26	26	Power	
13	13	INNER SHIELD	DRAIN WIRE
14	14	INNER SHIELD	
Shell	Shell	BRAID SHIELD	


CN1 Pin No.	CN2 Pin No.	CAMERA LINK SIGNAL	CABLE
2	25	Y0-	TWIN AXIAL 1
15	12	Y0+	TWIN AXIAL 2
3	24	Y1-	TWIN AXIAL 3
16	11	Y1+	TWIN AXIAL 4
4	23	Y2-	TWIN AXIAL 5
17	10	Y2+	TWIN AXIAL 6
5	22	Yclk-	TWIN AXIAL 7
18	9	Yclk+	TWIN AXIAL 8
6	21	Y3-	TWIN AXIAL 9
19	8	Y3+	TWIN AXIAL 10
7	20	100 ohm terminated	TWIN AXIAL 11
20	7		INDIVIDUAL WIRE 1
8	19	Z0-	INDIVIDUAL WIRE 2
21	6	Z0+	DRAIN WIRE
9	18	Z1-	
22	5	Z1+	DRAIN WIRE
10	17	Z2-	
23	4	Z2+	DRAIN WIRE
11	16	Zclk-	
24	3	Zclk+	DRAIN WIRE
12	15	Z3-	
25	2	Z3+	DRAIN WIRE
1	1	Power	
26	26	Power	
13	13	INNER SHIELD	DRAIN WIRE
14	14	INNER SHIELD	
Shell	Shell	BRAID SHIELD	

CN1 Pin No.	CN2 Pin No.	CAMERA LINK SIGNAL	CABLE
2	25	X0-	QUAD1
15	12	X0+	
3	24	X1-	
16	11	X1+	QUAD2
4	23	X2-	
17	10	X2+	
5	22	Xclk-	QUAD3
18	9	Xclk+	
6	21	X3-	
19	8	X3+	QUAD4
7	20	SerTC+	
20	7	SerTC-	
8	19	SerTFG-	TWISTED PAIR 1
21	6	SerTFG+	TWISTED PAIR 2
9	18	CC1-	TWISTED PAIR 3
22	5	CC1+	
10	17	CC2+	
23	4	CC2-	TWISTED PAIR 4
11	16	CC3-	
24	3	CC3+	
12	15	CC4+	TWISTED PAIR 5
25	2	CC4-	
1	1	Power	
26	26	Power	
13	14	INNER SHIELD	
14	13	INNER SHIELD	DRAIN WIRE
26	1	NC	
Shell	Shell	BRAID SHIELD	

CN1 Pin No.	CN2 Pin No.	CAMERA LINK SIGNAL	CABLE
2	25	Y0-	TWIN AXIAL 1
15	12	Y0+	TWIN AXIAL 2
3	24	Y1-	TWIN AXIAL 3
16	11	Y1+	TWIN AXIAL 4
4	23	Y2-	TWIN AXIAL 5
17	10	Y2+	TWIN AXIAL 6
5	22	Yclk-	TWIN AXIAL 7
18	9	Yclk+	TWIN AXIAL 8
6	21	Y3-	TWIN AXIAL 9
19	8	Y3+	TWIN AXIAL 10
7	20	100 ohm terminated	TWIN AXIAL 11
20	7		DRAIN WIRE
8	19	Z0-	
21	6	Z0+	DRAIN WIRE
9	18	Z1-	
22	5	Z1+	DRAIN WIRE
10	17	Z2-	
23	4	Z2+	DRAIN WIRE
11	16	Zclk-	
24	3	Zclk+	DRAIN WIRE
12	15	Z3-	
25	2	Z3+	DRAIN WIRE
1	1	Power	
26	26	Power	
13	13	INNER SHIELD	DRAIN WIRE
14	14	INNER SHIELD	
26	26	INNER SHIELD	DRAIN WIRE
Shell	Shell	BRAID SHIELD	

TABLE-3 CABLE TYPE AND DIAMETER

CABLE TYPE FOR	USE FOR	POWER OPTION	CONFIGURATION	CABLE DIAMETER "D" [mm]	COLOR
1MD26-35xx 1ME26-35xx	FIXED	POCL / CAMERA LINK	MEDIUM,BASE	6.9	GRAY
1MD26-R5xx 1ME26-R5xx	FLEX MOTION	POCL / CAMERA LINK	MEDIUM,BASE	8.7	BLACK
1MB26-L5xx	FIXED	POCL / CAMERA LINK	80BIT,74BIT,FULL,MEDIUM,BASE	9.0	BEIGE
1MA26-35xx	FIXED	CAMERA LINK (NON POCL)	MEDIUM,BASE	6.9	GRAY
1MF26-L5xx	FIXED	CAMERA LINK (NON POCL)	80BIT,74BIT,FULL,MEDIUM,BASE	9.0	BEIGE

TOLERANCES EXCEPT AS NOTED INCHES .0 ± .005 .00 ± .000 MILLIMETERS .0 ± .5 .00 ± .20 .000 ± N/A ANGLES ±5°	DFTG Y.KAWATE	DATE 11/11/23	 3M Center St. Paul, MN 55144 DIVISION EMSD DIVISION CODE TITLE 3M™ CAMERA LINK INDUSTRIAL CAMERA CABLE ASSEMBLY, MDR/SDR, 1Mx26-x5xx SERIES FSCM NO. A3 SIZE A3 DRAWING NO. 78-5100-2802-6 SCALE DET LISTS <input type="checkbox"/> YES <input type="checkbox"/> NO SHT 3 OF 5
	CHKD M.NAITOU	DATE 11/11/23	
	MFG	DATE	
	APPVL Y.KAWATE	DATE 11/11/23	
© 3M COPYRIGHT 2023 THIS DOCUMENT CONTAINS INFORMATION WHICH IS PROPRIETARY TO 3M COMPANY. NO REPRODUCTION OR PUBLICATION OF THIS DOCUMENT, IN WHOLE OR IN PART, SHALL BE MADE WITHOUT AUTHORIZATION FROM 3M.			

DRAWING NO. 78-5100-2802-6 A

3M™ CAMERA LINK INDUSTRIAL CAMERA CABLE ASSEMBLY, MDR/SDR, 1Mx26-x5xx SERIES


ORDERING INFORMATION AND PRODUCT SELECTION TREE


APPLICATION	CAMERA LINK TYPE CONFIGURATION	CAMERA-FGB (CONNECTOR)	CABLE EXIT DIRECTION (CAMERA SIDE)	PART NUMBER (xxx:CABLE LENGTH[cm] SEE TABLE-4)	LABEL (SEE TABLE-2)		
FIXED APPLICATION	POCL OR CL (NON POCL)	DECA(80BIT) 74BIT FULL MEDIUM BASE	SDR-MDR, MDR-SDR	STRAIGHT	1MB26-L560-00C-xxx	L-1	
			SDR-MDR	RIGHT ANGLE DOWN (#26 SIDE) UP (# 1 SIDE)	1MB26-L576-00C-xxx 1MB26-L577-00C-xxx		
			MDR-SDR	RIGHT ANGLE DOWN (#26 SIDE) UP (# 1 SIDE)	1MB26-L586-00C-xxx 1MB26-L587-00C-xxx		
		MEDIUM BASE	SDR-MDR	STRAIGHT	1MD26-3560-00C-xxx		L-2
			SDR-MDR	RIGHT ANGLE DOWN (#26 SIDE) UP (# 1 SIDE) RIGHT (# 1 SIDE) LEFT (#26 SIDE)	1MD26-3576-00C-xxx 1MD26-3576-00C-xxx 1MD26-35H1-00C-xxx 1MD26-35H2-00C-xxx		
			MDR-SDR	STRAIGHT	1ME26-3560-00C-xxx		
	CL (NON POCL ONLY)	DECA(80BIT) 74BIT FULL MEDIUM BASE	SDR-MDR, MDR-SDR	STRAIGHT	1MF26-L560-00C-xxx	L-4 (NO LABEL)	
			SDR-MDR	RIGHT ANGLE DOWN (#26 SIDE) UP (# 1 SIDE)	1MF26-L576-00C-xxx 1MF26-L577-00C-xxx		
			MDR-SDR	RIGHT ANGLE DOWN (#26 SIDE) UP (# 1 SIDE)	1MF26-L586-00C-xxx 1MF26-L587-00C-xxx		
		MEDIUM BASE	SDR-MDR	STRAIGHT	1MA26-3560-00C-xxx		L-3
			SDR-MDR	RIGHT ANGLE DOWN (#26 SIDE) UP (# 1 SIDE)	1MA26-3576-00C-xxx 1MA26-3577-00C-xxx		
			MDR-SDR	STRAIGHT	1MM26-3560-00C-xxx		
FLEX MOTION APPLICATION	POCL OR CL (NON POCL)	MEDIUM BASE	SDR-MDR	STRAIGHT	1MD26-R560-00C-xxx	L-2	
			SDR-MDR	RIGHT ANGLE DOWN (#26 SIDE) UP (# 1 SIDE) RIGHT (# 1 SIDE) LEFT (#26 SIDE)	1MD26-R576-00C-xxx 1MD26-R577-00C-xxx 1MD26-R5H1-00C-xxx 1MD26-R5H2-00C-xxx		
			MDR-SDR	STRAIGHT	1ME26-R560-00C-xxx		
			MDR-SDR	RIGHT ANGLE DOWN (#26 SIDE) UP (# 1 SIDE)	1ME26-R5A6-00C-xxx 1ME26-R5A7-00C-xxx		

TABLE-4: CABLE LENGTH CONVERSION CHART

A	10	H	17	R	24
B	11	J	18	S	25
C	12	K	19	T	26
D	13	L	20	V	27
E	14	M	21	W	28
F	15	N	22	Y	29
G	16	P	23	Z	30

EXAMPLE
050: 50CM
B60: 1160CM

TOLERANCES EXCEPT AS NOTED INCHES .0 ± .5 .00 ± .20 .000 ± N/A MILLIMETERS .0 ± .5 .00 ± .20 .000 ± N/A ANGLES ±5°	DFTG Y. KAWATE	DATE 11/11/23
	CHKD M. NAITOU	DATE 11/11/23
	MFG	DATE
	APPVLY. KAWATE	DATE 11/11/23
© 3M COPYRIGHT 2023 THIS DOCUMENT CONTAINS INFORMATION WHICH IS PROPRIETARY TO 3M COMPANY. NO REPRODUCTION OR PUBLICATION OF THIS DOCUMENT, IN WHOLE OR IN PART, SHALL BE MADE WITHOUT AUTHORIZATION FROM 3M.		
 THIRD ANGLE PROJECTION		

A	0112866	INITIAL RELEASE	Nov.11, 2023	Y.K	M.N
REV.	ECO	ISSUE DATE AND DESCRIPTION		DRFT	CHKD
 3M Center St. Paul, MN 55144		DIVISION	EMSD	MODEL	
		DIVISION CODE			
TITLE 3M™ CAMERA LINK INDUSTRIAL CAMERA CABLE ASSEMBLY, MDR/SDR, 1Mx26-x5xx SERIES					
FSCM NO.	SIZE	DRAWING NO.		REV.	
	A3	78-5100-2802-6		A	
SCALE			DET LISTS <input type="checkbox"/> YES <input type="checkbox"/> NO	SHT 4 OF 5	

DRAWING NO. 78-5100-2802-6 REV. A

3M™ CAMERA LINK INDUSTRIAL CAMERA CABLE ASSEMBLY, MDR/SDR, 1Mx26-x5xx SERIES

Regulatory: For regulatory information about this product, visit 3M.com/regs or contact your 3M representative.

Technical Information: The technical information, recommendations and other statements contained in this document are based upon tests or experience that 3M believes are reliable, but the accuracy or completeness of such information is not guaranteed.


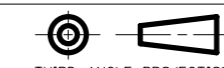
Product Use: Many factors beyond 3M's control and uniquely within user's control can affect the use and performance of a 3M product in a particular application. Given the variety of factors that can affect the use and performance of a 3M product, user is solely responsible for evaluating the 3M product and determining whether it is fit for a particular purpose and suitable for user's method of application.

Warranty, Limited Remedy, and Disclaimer: Unless an additional warranty is specifically stated on the applicable 3M product packaging or product literature, 3M warrants that each 3M product meets the applicable 3M product specification at the time 3M ships the product. 3M MAKES NO OTHER WARRANTIES OR CONDITIONS, EXPRESS OR IMPLIED, INCLUDING, BUT NOT LIMITED TO, ANY IMPLIED WARRANTY OR CONDITION OF MERCHANTABILITY OR FITNESS FOR A PARTICULAR PURPOSE OR ANY IMPLIED WARRANTY OR CONDITION ARISING OUT OF A COURSE OF DEALING, CUSTOM OR USAGE OR TRADE. If the 3M product does not conform to this warranty, then the sole and exclusive remedy is, at 3M's option, replacement of the 3M product or refund of the purchase price.

Limitation of Liability: Except where prohibited by law, 3M will not be liable for any loss or damage arising from the 3M product, whether direct, indirect, special, incidental or consequential, regardless of the legal theory asserted, including warranty, contract, negligence or strict liability.

3M Company
 Electronics Materials Solutions Division
 13011 McCallen Pass, Bldg. C
 Austin, TX 78753-5380
 1-800-225-5373
 www.3M.com/interconnect

A	0112866	INITIAL RELEASE	Nov.11, 2023	Y.K	M.N
REV.	ECO	ISSUE DATE AND DESCRIPTION		DRFT	CHKD

TOLERANCES EXCEPT AS NOTED INCHES .0 ± .005 .00 ± .000 MILLIMETERS .0 ± .5 .00 ± .20 .000 ± N/A ANGLES ±5°	DFTG Y.KAWATE	DATE 11/11/23	 3M Center St. Paul, MN 55144	DIVISION EMSD	MODEL	
	CHKD M.NAITOU	DATE 11/11/23		DIVISION CODE		
	MFG	DATE				
	APPVL Y.KAWATE	DATE 11/11/23	TITLE 3M™ CAMERA LINK INDUSTRIAL CAMERA CABLE ASSEMBLY, MDR/SDR, 1Mx26-x5xx SERIES			
© 3M COPYRIGHT 2023 THIS DOCUMENT CONTAINS INFORMATION WHICH IS PROPRIETARY TO 3M COMPANY. NO REPRODUCTION OR PUBLICATION OF THIS DOCUMENT, IN WHOLE OR IN PART, SHALL BE MADE WITHOUT AUTHORIZATION FROM 3M.			FSCM NO.	SIZE A3	DRAWING NO. 78-5100-2802-6	REV. A
 THIRD ANGLE PROJECTION			SCALE	DET LISTS <input type="checkbox"/> YES <input type="checkbox"/> NO		SHT 5 OF 5

DRAWING NO. 78-5100-2802-6 REV. A