

# 3M™ CAMERA LINK INDUSTRIAL CAMERA CABLE ASSEMBLY, SDR, 1Sx26-x1xx SERIES

- SUPPORT CAMERA LINK STANDARD
- DOUBLE OVERALL SHEILDDED CABLE AND EMI SHIELDED SHELL
- OPTIONAL R/A CONNECTOR ELIMINATE CABLE BENDING NEAR CAMERA
- OFFERING THINNER CABLE FOR BASE AND MEDIUM CONFIGURATION CAMERA
- ROHS COMPLIANT

## NOTES

- 1 THE TOLERANCE OF HARNESS LENGTH IS LARGER VALUE OF EITHER +50mm/0 OR +3%/0 OF ORDER LENGTH.
- 2 SEE TABLE-4 AND PART NUMBER SCHEME FOR IDENTIFYING CABLE LENGTHS IN SHEET4.

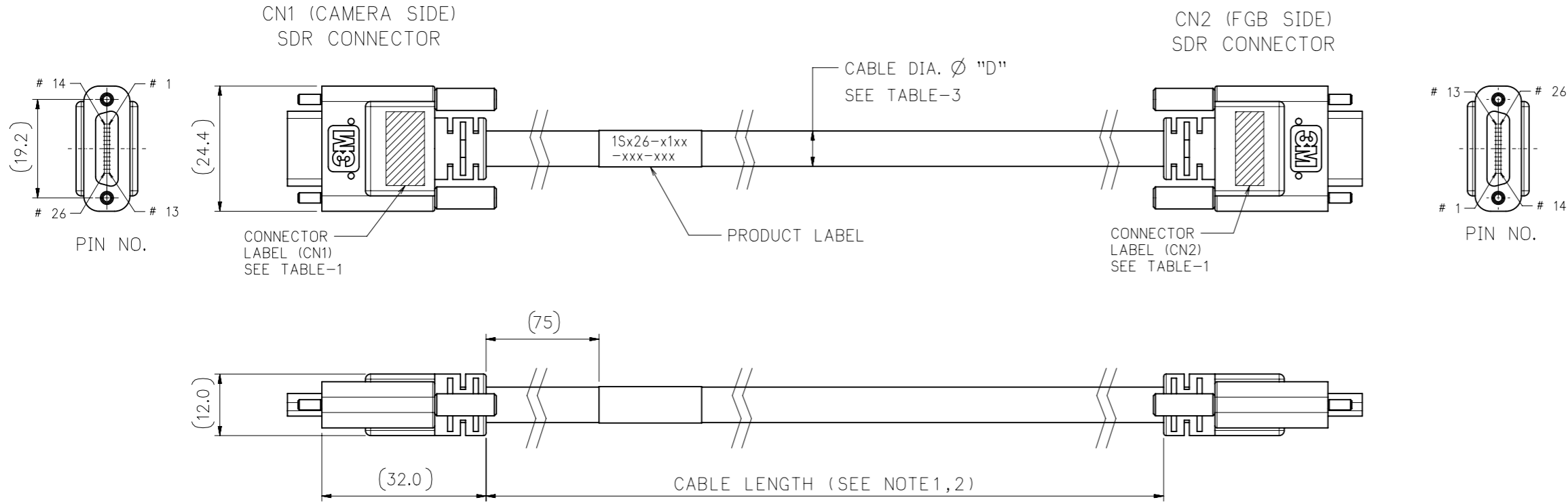


TABLE-1: CONNECTOR LABEL INDICATION

	1SD26-	1SB26-	1SA26-	1SF26-
CN1	PoCL Camera Side	PoCL	CAMERA SIDE	(NO LABEL)
CN2	PoCL	PoCL	(NO LABEL)	(NO LABEL)

PRODUCT LABEL DETAIL

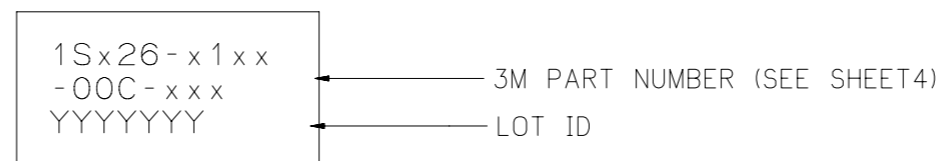


TABLE-2

PERFORMANCE	
TEMPERATURE RATING	70° C
VOLTAGE RATING	30V
CURRENT RATING	0.5A
DIFFERENTIAL IMPEDANCE	100 OHM (HIGH SPEED LINE)
CABLE FLAMMABILITY	UL AWM VW-1
CONTACT PLATING	0.76 MICRON AU UNDER NI

TOLERANCES EXCEPT AS NOTED	DFTG Y.KAWATE	DATE 10/29/23
	CHKD M.NAITOU	DATE 10/29/23
	MFG	DATE
	APPVL Y.KAWATE	DATE 10/29/23
INCHES	.0 ± .5 .00 ± .20 .000 ± N/A	
MILLIMETERS	.0 ± .5 .00 ± .20 .000 ± N/A	
ANGLES ±5°	THIRD ANGLE PROJECTION	

REV. A	0112864	INITIAL RELEASE	Oct 29,2023	Y.K	M.N
ECO	ISSUE DATE AND DESCRIPTION			DRFT	CHKD
3M Center St. Paul, MN 55144		DIVISION	EMSD	MODEL	
		DIVISION CODE			
TITLE 3M™ CAMERA LINK INDUSTRIAL CAMERA CABLE ASSEMBLY, SDR, 1Sx26-x1xx SERIES					
FSCM NO.	SIZE	DRAWING NO.		REV.	
	A3	78-5100-2800-0		A	
SCALE			DET LISTS <input type="checkbox"/> YES <input type="checkbox"/> NO	SHT 1 OF 5	

DRAWING NO. 78-5100-2800-0 A

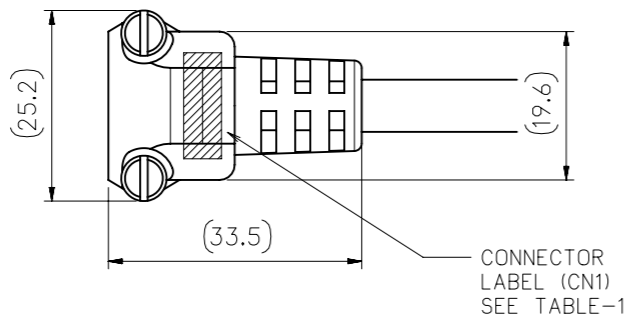
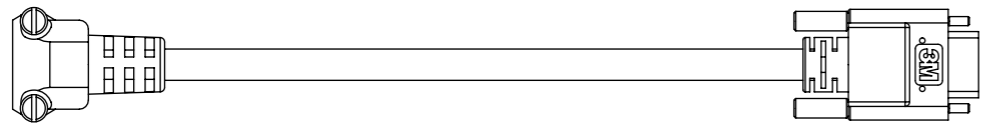
# 3M™ CAMERA LINK INDUSTRIAL CAMERA CABLE ASSEMBLY, SDR, 1Sx26-x1xx SERIES

## RIGHT ANGLE CONNECTOR DIMENSIONS

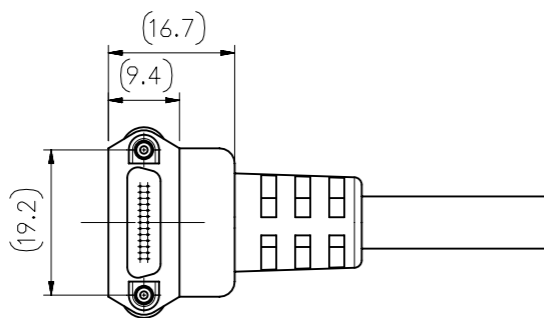
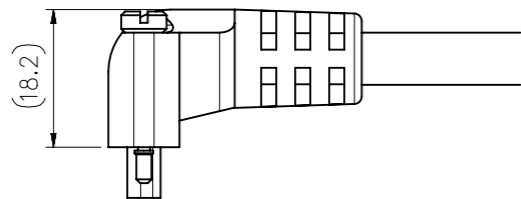
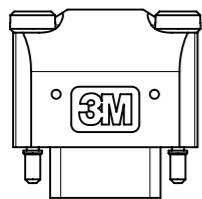
UP/DOWN DIRECTION

CN1 (CAMERA SIDE)  
SDR CONNECTOR

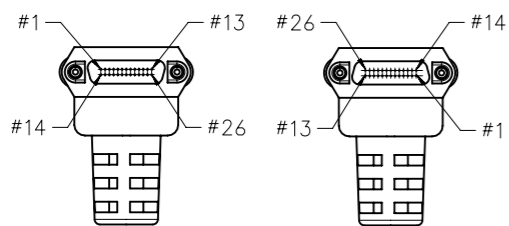
CN2 (FGB SIDE)  
SDR CONNECTOR



CONNECTOR LABEL (CN1)  
SEE TABLE-1



CN1 CABLE EXIT DIRECTION  
AND PIN NO.



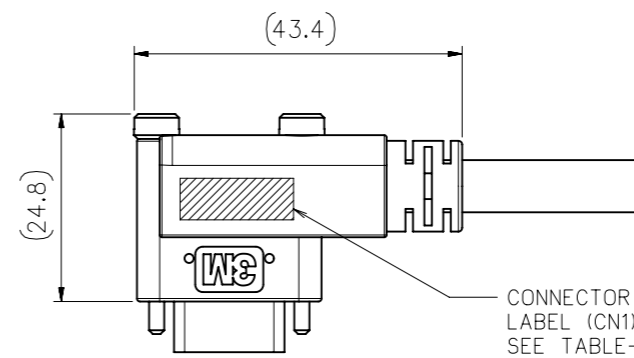
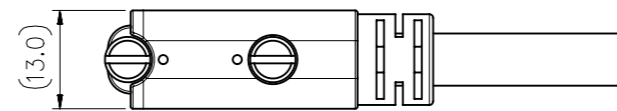
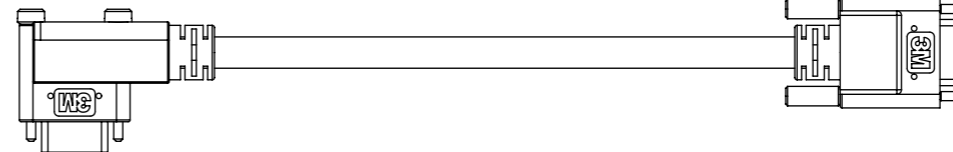
DOWNWARD  
(#26 SIDE)

UPWARD  
(#1 SIDE)

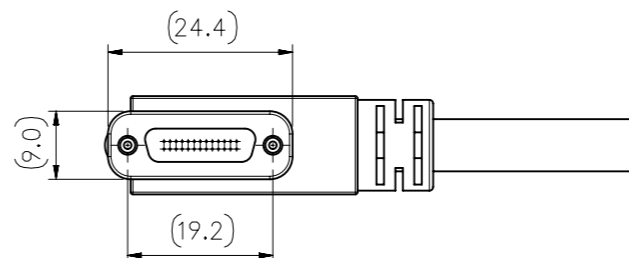
LEFT/RIGHT DIRECTION

CN1 (CAMERA SIDE)  
SDR CONNECTOR

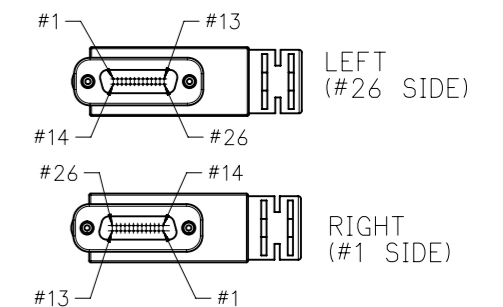
CN2 (FGB SIDE)  
SDR CONNECTOR



CONNECTOR LABEL (CN1)  
SEE TABLE-1



CN1 CABLE EXIT DIRECTION  
AND PIN NO.



LEFT  
(#26 SIDE)

RIGHT  
(#1 SIDE)

TOLERANCES EXCEPT AS NOTED	DFTG Y.KAWATE	DATE 10/29/23
INCHES	CHKD M.NAITOU	DATE 10/29/23
.0 ±	MFG	DATE
.00 ±	APPVL Y.KAWATE	DATE 10/29/23
.000 ±	© 3M COPYRIGHT 2023 THIS DOCUMENT CONTAINS INFORMATION WHICH IS PROPRIETARY TO 3M COMPANY. NO REPRODUCTION OR PUBLICATION OF THIS DOCUMENT, IN WHOLE OR IN PART, SHALL BE MADE WITHOUT AUTHORIZATION FROM 3M.	
MILLIMETERS		
.0 ± .5	THIRD ANGLE PROJECTION	
.00 ± .20		
.000 ± N/A		
ANGLES ±5°		

A	0112864	INITIAL RELEASE	Oct 29,2023	Y.K	M.N
REV.	ECO	ISSUE DATE AND DESCRIPTION		DRFT	CHKD
<b>3M</b>		3M Center St. Paul, MN 55144	DIVISION EMSD	MODEL	
TITLE		DIVISION CODE			
3M™ CAMERA LINK INDUSTRIAL CAMERA CABLE ASSEMBLY, SDR, 1Sx26-x1xx SERIES					
FSCM NO.	SIZE A3	DRAWING NO. 78-5100-2800-0		REV. A	
SCALE			DET LISTS <input type="checkbox"/> YES <input type="checkbox"/> NO	SHT 2 OF 5	

DRAWING NO. 78-5100-2800-0 A REV.

# 3M™ CAMERA LINK INDUSTRIAL CAMERA CABLE ASSEMBLY, SDR, 1Sx26-x1xx SERIES

## CONNECTOR PIN ASSIGNMENT

1SD26-31xx  
POCL OR CAMERA LINK  
FOR BASE OR MEDIUM  
CONFIGURATIONS  
AND FIXED USE

1SD26-R1xx  
POCL OR CAMERA LINK  
FOR BASE OR MEDIUM  
CONFIGURATIONS  
AND FLEX MOTION USE

1SB26-L1xx  
POCL OR CAMERA LINK  
FOR ALL CONFIGURATIONS  
AND FIXED USE

1SA26-31xx  
CAMERA LINK (NON POCL)  
FOR BASE OR MEDIUM  
CONFIGURATIONS  
AND FIXED USE

1SF26-L1xx  
CAMERA LINK (NON POCL)  
FOR ALL CONFIGURATIONS  
AND FIXED USE

CN1 Pin No.	CN2 Pin No.	CAMERA LINK SIGNAL	CABLE
2	25	X0-	QUAD1
15	12	X0+	
3	24	X1-	
16	11	X1+	QUAD2
4	23	X2-	
17	10	X2+	
5	22	Xclk-	QUAD3
18	9	Xclk+	
6	21	X3-	
19	8	X3+	QUAD4
7	20	SerTC+	
20	7	SerTC-	
8	19	SerTFG-	TWISTED PAIR 1
21	6	SerTFG+	TWISTED PAIR 2
9	18	CC1-	TWISTED PAIR 3
22	5	CC1+	
10	17	CC2+	
23	4	CC2-	TWISTED PAIR 4
11	16	CC3-	
24	3	CC3+	
12	15	CC4+	TWISTED PAIR 5
25	2	CC4-	
1	1	Power	
26	26	Power	
13	13	INNER SHIELD	DRAIN WIRE
14	14	INNER SHIELD	
Shell	Shell	BRAID SHIELD	

CN1 Pin No.	CN2 Pin No.	CAMERA LINK SIGNAL	CABLE
2	25	X0-	QUAD1
15	12	X0+	
3	24	X1-	
16	11	X1+	QUAD2
4	23	X2-	
17	10	X2+	
5	22	Xclk-	QUAD3
18	9	Xclk+	
6	21	X3-	
19	8	X3+	QUAD4
7	20	SerTC+	
20	7	SerTC-	
8	19	SerTFG-	QUAD5
21	6	SerTFG+	
9	18	CC1-	
22	5	CC1+	QUAD6
10	17	CC2+	
23	4	CC2-	
11	16	CC3-	DRAIN WIRE
24	3	CC3+	
12	15	CC4+	
25	2	CC4-	DRAIN WIRE
1	1	Power	
26	26	Power	
13	13	INNER SHIELD	DRAIN WIRE
14	14	INNER SHIELD	
Shell	Shell	BRAID SHIELD	

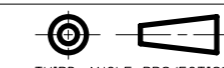
CN1 Pin No.	CN2 Pin No.	CAMERA LINK SIGNAL	CABLE
2	25	Y0-	TWIN AXIAL 1
15	12	Y0+	TWIN AXIAL 2
3	24	Y1-	
16	11	Y1+	TWIN AXIAL 3
4	23	Y2-	
17	10	Y2+	TWIN AXIAL 4
5	22	Yclk-	
18	9	Yclk+	TWIN AXIAL 5
6	21	Y3-	
19	8	Y3+	TWIN AXIAL 6
7	20	100 ohm terminated	
20	7		TWIN AXIAL 7
8	19	Z0-	
21	6	Z0+	TWIN AXIAL 8
9	18	Z1-	
22	5	Z1+	TWIN AXIAL 9
10	17	Z2-	
23	4	Z2+	TWIN AXIAL 10
11	16	Zclk-	
24	3	Zclk+	TWIN AXIAL 11
12	15	Z3-	
25	2	Z3+	INDIVIDUAL WIRE 1
1	1	Power	
26	26	Power	INDIVIDUAL WIRE 2
13	13	INNER SHIELD	DRAIN WIRE
14	14	INNER SHIELD	
Shell	Shell	BRAID SHIELD	


CN1 Pin No.	CN2 Pin No.	CAMERA LINK SIGNAL	CABLE
2	25	X0-	QUAD1
15	12	X0+	
3	24	X1-	
16	11	X1+	QUAD2
4	23	X2-	
17	10	X2+	
5	22	Xclk-	QUAD3
18	9	Xclk+	
6	21	X3-	
19	8	X3+	TWISTED PAIR 1
7	20	SerTC+	
20	7	SerTC-	
8	19	SerTFG-	TWISTED PAIR 2
21	6	SerTFG+	
9	18	CC1-	
22	5	CC1+	TWISTED PAIR 3
10	17	CC2+	
23	4	CC2-	
11	16	CC3-	TWISTED PAIR 4
24	3	CC3+	
12	15	CC4+	
25	2	CC4-	
1	26	INNER SHIELD	DRAIN WIRE
13	14	INNER SHIELD	
14	13	INNER SHIELD	
26	1	NC	
Shell	Shell	BRAID SHIELD	

CN1 Pin No.	CN2 Pin No.	CAMERA LINK SIGNAL	CABLE
2	25	Y0-	TWIN AXIAL 1
15	12	Y0+	TWIN AXIAL 2
3	24	Y1-	
16	11	Y1+	TWIN AXIAL 3
4	23	Y2-	
17	10	Y2+	TWIN AXIAL 4
5	22	Yclk-	
18	9	Yclk+	TWIN AXIAL 5
6	21	Y3-	
19	8	Y3+	TWIN AXIAL 6
7	20	100 ohm terminated	
20	7		TWIN AXIAL 7
8	19	Z0-	
21	6	Z0+	TWIN AXIAL 8
9	18	Z1-	
22	5	Z1+	TWIN AXIAL 9
10	17	Z2-	
23	4	Z2+	TWIN AXIAL 10
11	16	Zclk-	
24	3	Zclk+	TWIN AXIAL 11
12	15	Z3-	
25	2	Z3+	DRAIN WIRE
1	1	INNER SHIELD	
13	13	INNER SHIELD	
14	14	INNER SHIELD	
26	26	INNER SHIELD	
Shell	Shell	BRAID SHIELD	

TABLE-3 CABLE TYPE AND DIAMETER

CABLE TYPE FOR	USE FOR	POWER OPTION	CONFIGURATION	CABLE DIAMETER "D" [mm]	COLOR
1SD26-31xx	FIXED	POCL / CAMERA LINK	MEDIUM,BASE	6.9	GRAY
1SD26-R1xx	FLEX MOTION	POCL / CAMERA LINK	MEDIUM,BASE	8.7	BLACK
1SB26-L1xx	FIXED	POCL / CAMERA LINK	80BIT,74BIT,FULL,MEDIUM,BASE	9.0	BEIGE
1SA26-31xx	FIXED	CAMERA LINK (NON POCL)	MEDIUM,BASE	6.9	GRAY
1SF26-L1xx	FIXED	CAMERA LINK (NON POCL)	80BIT,74BIT,FULL,MEDIUM,BASE	9.0	BEIGE

TOLERANCES EXCEPT AS NOTED INCHES .0 ± .005 .00 ± .000 MILLIMETERS .0 ± .5 .00 ± .20 .000 ± N/A ANGLES ±5°	DFTG Y. KAWATE	DATE 10/29/23
	CHKD M. NAITOU	DATE 10/29/23
	MFG	DATE
	APPVL Y. KAWATE	DATE 10/29/23
© 3M COPYRIGHT 2023 THIS DOCUMENT CONTAINS INFORMATION WHICH IS PROPRIETARY TO 3M COMPANY. NO REPRODUCTION OR PUBLICATION OF THIS DOCUMENT, IN WHOLE OR IN PART, SHALL BE MADE WITHOUT AUTHORIZATION FROM 3M.		
 THIRD ANGLE PROJECTION		

A	0112864	INITIAL RELEASE	Oct 29,2023	Y.K	M.N
REV.	ECO	ISSUE DATE AND DESCRIPTION		DRFT	CHKD
 3M Center St. Paul, MN 55144		DIVISION	EMSD	MODEL	
		DIVISION CODE			
TITLE 3M™ CAMERA LINK INDUSTRIAL CAMERA CABLE ASSEMBLY, SDR, 1Sx26-x1xx SERIES					
FSCM NO.	SIZE	DRAWING NO.		REV.	
	A3	78-5100-2800-0		A	
SCALE			DET LISTS <input type="checkbox"/> YES <input type="checkbox"/> NO	SHT 3 OF 5	

DRAWING NO. 78-5100-2800-0 A

# 3M™ CAMERA LINK INDUSTRIAL CAMERA CABLE ASSEMBLY, SDR, 1Sx26-x1xx SERIES

## ORDERING INFORMATION AND PRODUCT SELECTION TREE

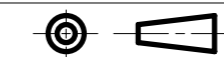
PART NUMBER  
(xxx: CABLE LENGTH [cm])  
SEE TABLE 4)


APPLICATION	CAMERA LINK TYPE	CONFIGURATION	CABLE EXIT DIRECTION (CAMERA SIDE)	PART NUMBER		
FIXED APPLICATION	POCL OR CL (NON POCL)	DECA(80BIT) 74BIT FULL MEDIUM BASE	STRAIGHT	1SB26-L120-00C-xxx		
			RIGHT ANGLE DOWN (#26 SIDE) UP (# 1 SIDE)	1SB26-L136-00C-xxx 1SB26-L137-00C-xxx		
		BASE MEDIUM	STRAIGHT	1SD26-3120-00C-xxx		
			RIGHT ANGLE DOWN (#26 SIDE) UP (# 1 SIDE) RIGHT (# 1 SIDE) LEFT (#26 SIDE)	1SD26-3136-00C-xxx 1SD26-3137-00C-xxx 1SD26-31H1-00C-xxx 1SD26-31H2-00C-xxx		
			CL (NON POCL ONLY)	DECA(80BIT) 74BIT FULL MEDIUM BASE	STRAIGHT	1SF26-L120-00C-xxx
				RIGHT ANGLE DOWN (#26 SIDE) UP (# 1 SIDE)	1SF26-L136-00C-xxx 1SF26-L137-00C-xxx	
	BASE MEDIUM	STRAIGHT	1SA26-3120-00C-xxx			
		RIGHT ANGLE DOWN (#26 SIDE) UP (# 1 SIDE)	1SA26-3136-00C-xxx 1SA26-3137-00C-xxx			
	FLEX MOTION APPLICATION	POCL OR CL (NON POCL)	BASE MEDIUM	STRAIGHT	1SD26-R120-00C-xxx	
				RIGHT ANGLE DOWN (#26 SIDE) UP (# 1 SIDE) RIGHT (# 1 SIDE) LEFT (#26 SIDE)	1SD26-R136-00C-xxx 1SD26-R137-00C-xxx 1SD26-R1H1-00C-xxx 1SD26-R1H2-00C-xxx	

TABLE-4: CABLE LENGTH CONVERSION CHART

A	10	H	17	R	24
B	11	J	18	S	25
C	12	K	19	T	26
D	13	L	20	V	27
E	14	M	21	W	28
F	15	N	22	Y	29
G	16	P	23	Z	30

EXAMPLE  
050: 50CM  
B60: 1160CM

TOLERANCES EXCEPT AS NOTED	DFTG Y. KAWATE	DATE 10/23/23
	CHKD M. NAITOU	DATE 10/23/23
	MFG	DATE
	APPVL Y. KAWATE	DATE 10/23/23
MILLIMETERS .0 ± .5 .00 ± .20 .000 ± N/A	© 3M COPYRIGHT 2023 THIS DOCUMENT CONTAINS INFORMATION WHICH IS PROPRIETARY TO 3M COMPANY. NO REPRODUCTION OR PUBLICATION OF THIS DOCUMENT, IN WHOLE OR IN PART, SHALL BE MADE WITHOUT AUTHORIZATION FROM 3M.	
ANGLES ±5°	 THIRD ANGLE PROJECTION	

A	0112864	INITIAL RELEASE	Oct 23,2023	Y.K	M.N
REV.	ECO	ISSUE DATE AND DESCRIPTION		DRFT	CHKD
 3M Center St. Paul, MN 55144		DIVISION	EMSD	MODEL	
TITLE		DIVISION CODE			
3M™ CAMERA LINK INDUSTRIAL CAMERA CABLE ASSEMBLY, SDR, 1Sx26-x1xx SERIES					
FSCM NO.	SIZE	DRAWING NO.		REV.	
	A3	78-5100-2800-0		A	
SCALE			DET LISTS <input type="checkbox"/> YES <input type="checkbox"/> NO	SHT 4 OF 5	

DRAWING NO. 78-5100-2800-0 A

# 3M™ CAMERA LINK INDUSTRIAL CAMERA CABLE ASSEMBLY, SDR, 1Sx26-x1xx SERIES

Regulatory: For regulatory information about this product, visit 3M.com/regs or contact your 3M representative.

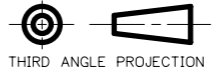
Technical Information: The technical information, recommendations and other statements contained in this document are based upon tests or experience that 3M believes are reliable, but the accuracy or completeness of such information is not guaranteed.

Product Use: Many factors beyond 3M's control and uniquely within user's control can affect the use and performance of a 3M product in a particular application. Given the variety of factors that can affect the use and performance of a 3M product, user is solely responsible for evaluating the 3M product and determining whether it is fit for a particular purpose and suitable for user's method of application.

Warranty, Limited Remedy, and Disclaimer: Unless an additional warranty is specifically stated on the applicable 3M product packaging or product literature, 3M warrants that each 3M product meets the applicable 3M product specification at the time 3M ships the product. 3M MAKES NO OTHER WARRANTIES OR CONDITIONS, EXPRESS OR IMPLIED, INCLUDING, BUT NOT LIMITED TO, ANY IMPLIED WARRANTY OR CONDITION OF MERCHANTABILITY OR FITNESS FOR A PARTICULAR PURPOSE OR ANY IMPLIED WARRANTY OR CONDITION ARISING OUT OF A COURSE OF DEALING, CUSTOM OR USAGE OR TRADE. If the 3M product does not conform to this warranty, then the sole and exclusive remedy is, at 3M's option, replacement of the 3M product or refund of the purchase price.

Limitation of Liability: Except where prohibited by law, 3M will not be liable for any loss or damage arising from the 3M product, whether direct, indirect, special, incidental or consequential, regardless of the legal theory asserted, including warranty, contract, negligence or strict liability.

3M Company  
 Electronics Materials Solutions Division  
 13011 McCallen Pass, Bldg. C  
 Austin, TX 78753-5380  
 1-800-225-5373  
 www.3M.com/interconnect

A		0112864	INITIAL RELEASE	Oct 29,2023	Y.K	M.N
REV.	ECO	ISSUE DATE AND DESCRIPTION			DRFT	CHKD
TOLERANCES EXCEPT AS NOTED		DFTG	Y.KAWATE	DATE	10/29/23	
INCHES		CHKD	M.NAITOU	DATE	10/29/23	
.0 ±		MFG		DATE		
.00 ±		APPVL	Y.KAWATE	DATE	10/29/23	
.000 ±		© 3M COPYRIGHT 2023 THIS DOCUMENT CONTAINS INFORMATION WHICH IS PROPRIETARY TO 3M COMPANY. NO REPRODUCTION OR PUBLICATION OF THIS DOCUMENT, IN WHOLE OR IN PART, SHALL BE MADE WITHOUT AUTHORIZATION FROM 3M.				
MILLIMETERS		 THIRD ANGLE PROJECTION				
.0 ± .5		FSCM NO.    SIZE    DRAWING NO.    REV. A3    78-5100-2800-0    A				
.00 ± .20		SCALE    DET LISTS <input type="checkbox"/> YES <input type="checkbox"/> NO    SHT 5 OF 5				
.000 ± N/A		TITLE 3M™ CAMERA LINK INDUSTRIAL CAMERA CABLE ASSEMBLY, SDR, 1Sx26-x1xx SERIES				
ANGLES ±5°		DIVISION    EMSD    MODEL DIVISION CODE				

DRAWING NO. 78-5100-2800-0 A REV. A