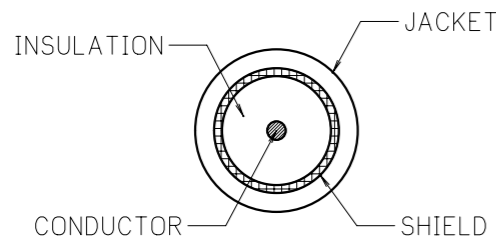
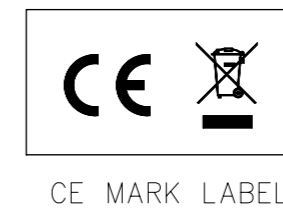
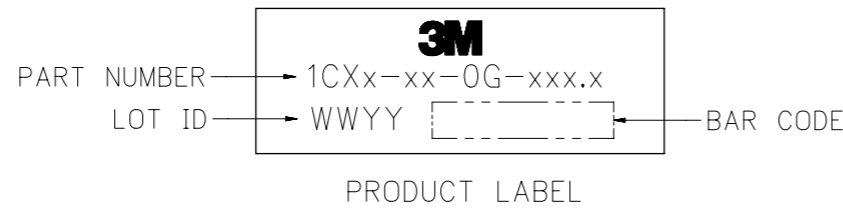
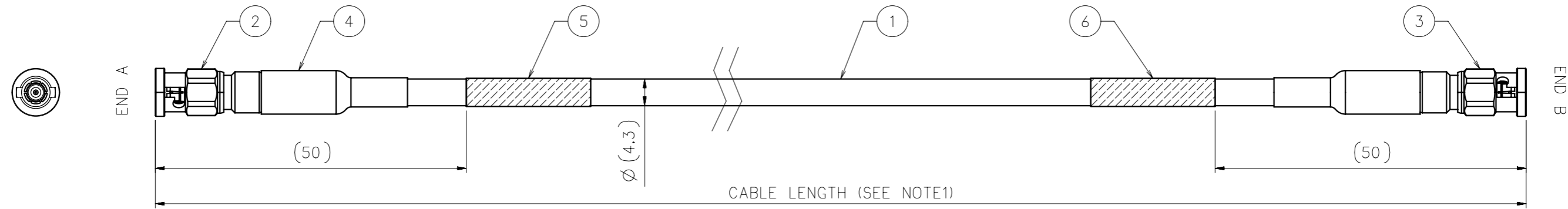


3M™ COAXPRESS INDUSTRIAL CAMERA CABLE ASSEMBLY, 1CXx-xx-0G SERIES

- SUPPORT COAXPRESS STANDARD (UP TO 10m LENGTH FOR CXP-12 AND 13m LENGTH FOR CXP-6)
- EXTENDED HIGH FLEX DURABLE CABLE FOR BENDING/SLIDING APPLICATION (OVER 50 MILLION CYCLES WITH DRAG CHAIN AT R50mm)
- MICRO-BNC, BNC, 1.0/2.3(DIN) CONNECTOR AVAILABLE
- ROHS COMPLIANT AND CE MARKING

NOTES	
1	THE TOLERANCE OF HARNESS LENGTH IS LARGER VALUE OF EITHER +50mm/0 OR +3%/0 OF ORDER LENGTH
2	UNLESS OTHERWISE NOTED, REFERENCES TO INDUSTRY SPECIFICATIONS ARE INTENDED TO INDICATE SUBSTANTIAL COMPLIANCE TO THE MATERIAL ELEMENTS OF THE SPECIFICATIONS. SUCH REFERENCES SHOULD NOT BE CONSTRUED AS A GUARANTEE OF COMPLIANCE TO ALL REQUIREMENTS IN THE STANDARD



REV.	ECO	ISSUE DATE AND DESCRIPTION	DRFT	CHKD
C	121423	FEB 7,2025 REVISED CONNECTOR OPTION	MN	TH
B	113721	DEC 27,2023 UPDATE FLEX DURABILITY	MN	TH
A	112599	OCT 20,2023 INITIAL RELEASE	MN	TH

ITEM	PART NAME	QTY	NOTE
6	CE MARK LABEL	1	COLOR: WHITE
5	PRODUCT LABEL	1	COLOR: WHITE
4	HEAT SHRINK TUBE	2	COLOR: BLACK
3	CONNECTOR (END B)	1	BODY MATERIAL: COPPER ALLOY
2	CONNECTOR (END A)	1	BODY MATERIAL: COPPER ALLOY
1	CABLE (V140.0)	1	JACKET: PVC COLOR: BLACK

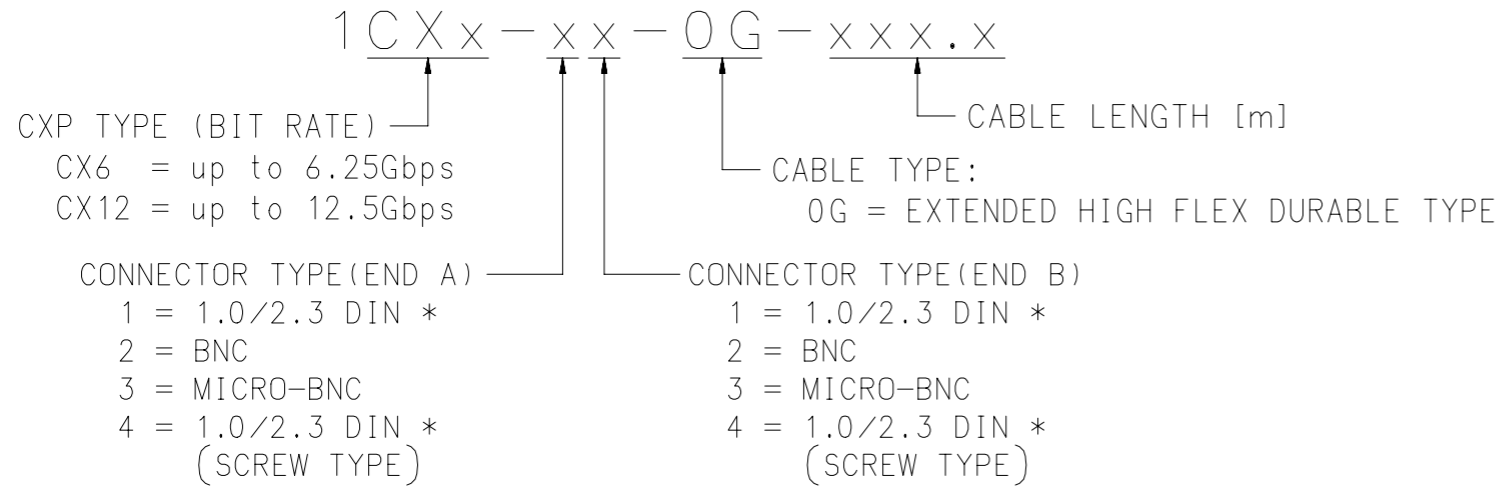
TOLERANCES EXCEPT AS NOTED	DFTG M.NAITOU	DATE 10/13/23
INCHES .0 ± .5 .00 ± .20 .000 ±	CHKD T.HAYAUCHI	DATE 10/13/23
	MFG	DATE
MILLIMETERS .0 ± .5 .00 ± .20 .000 ± N/A	APPVL Y.KAWATE	DATE 10/13/23
	© 3M COPYRIGHT 2023 THIS DOCUMENT CONTAINS INFORMATION WHICH IS PROPRIETARY TO 3M COMPANY. NO REPRODUCTION OR PUBLICATION OF THIS DOCUMENT, IN WHOLE OR IN PART, SHALL BE MADE WITHOUT AUTHORIZATION FROM 3M.	
ANGLES ±5°	THIRD ANGLE PROJECTION	

3M		3M Center St. Paul, MN 55144	DIVISION DEPP	MODEL
TITLE		3M™ COAXPRESS INDUSTRIAL CAMERA CABLE ASSEMBLY 1CXx-xx-0G SERIES		
FSCM NO.	SIZE A3	DRAWING NO. 78-5100-2783-8	REV. C	
SCALE		DET LISTS <input type="checkbox"/> YES <input type="checkbox"/> NO		SHT 1 OF 3

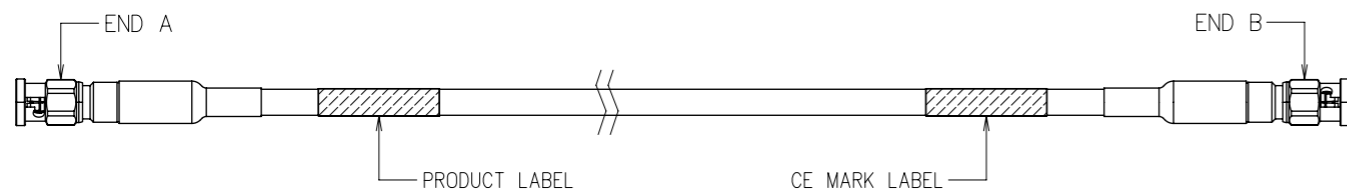
DRAWING NO. 78-5100-2783-8 REV. C

3M™ COAXPRESS INDUSTRIAL CAMERA CABLE ASSEMBLY, 1CXx-xx-OG SERIES

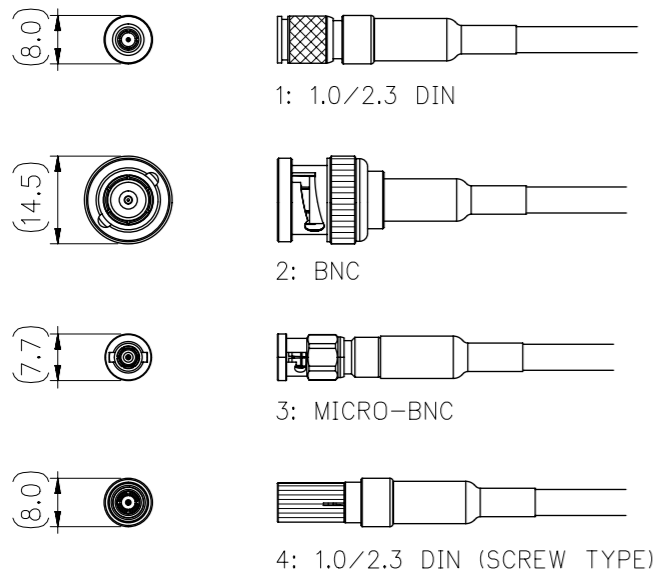
ORDERING INFORMATION



* 1.0/2.3 DIN IS NOT AVAILABLE FOR CXP-12



CONNECTOR OPTION



CABLE	
TEMPERATURE AND VOLTAGE RATING	105° C / 300 V
IMPEDANCE	75 Ohm
CURRENT RATING	1A
SHEATH MATERIAL	PVC
COLOR	BLACK
OUTER DIAMETER	4.3mm
RECOMMENDED MIN. BENDING RADIUS	40mm
FLAMMABILITY	UL AWM VW-1

PERFORMANCE	
CXP SUPPORTING TRANSMISSION DISTANCE	10m(CXP-12), 13m(CXP-6) *
FLEX DURABILITY	OVER 50 MILLION CYCLES ** (WITH DRAG CHAIN R50mm)

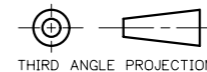
* AVAILABLE LONGER FUNCTIONAL DISTANCE IN EACH TEST AND BOARD CONDITION.
 ** RESULT UNDER 3M TEST CONDITIONS.

ENVIRONMENTAL	
OPERATING TEMPERATURE	0 to 70° C

REV.	ECO	ISSUE DATE AND DESCRIPTION	DRFT	CHKD
C	121423	FEB 7,2025 REVISED CONNECTOR OPTION	MN	TH
B	113721	DEC 27,2023 UPDATE FLEX DURABILITY	MN	TH
A	112599	OCT 20,2023 INITIAL RELEASE	MN	TH

TOLERANCES EXCEPT AS NOTED	DFTG M. NAITOU	DATE 10/13/23
INCHES .0 ± .00 ± .000 ±	CHKD T. HAYAUCHI	DATE 10/13/23
MILLIMETERS .0 ± .5 .00 ± .20 .000 ± N/A	MFG	DATE
ANGLES ±5°	APPVL Y. KAWATE	DATE 10/13/23

3M 3M Center St. Paul, MN 55144		DIVISION DEPP	MODEL
TITLE 3M™ COAXPRESS INDUSTRIAL CAMERA CABLE ASSEMBLY 1CXx-xx-OG SERIES		DIVISION CODE	
FSCM NO.	SIZE A3	DRAWING NO. 78-5100-2783-8	REV. C
SCALE		DET LISTS <input type="checkbox"/> YES <input type="checkbox"/> NO	SHT 2 OF 3



DRAWING NO. 78-5100-2783-8 REV. C

3M™ COAXPRESS INDUSTRIAL CAMERA CABLE ASSEMBLY, 1CXx-xx-0G SERIES

Regulatory: For regulatory information about this product, visit 3M.com/regs or contact your 3M representative.

Technical Information: The technical information, recommendations and other statements contained in this document are based upon tests or experience that 3M believes are reliable, but the accuracy or completeness of such information is not guaranteed.

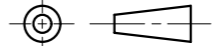
Product Use: Many factors beyond 3M's control and uniquely within user's control can affect the use and performance of a 3M product in a particular application. Given the variety of factors that can affect the use and performance of a 3M product, user is solely responsible for evaluating the 3M product and determining whether it is fit for a particular purpose and suitable for user's method of application.

Warranty, Limited Remedy, and Disclaimer: Unless an additional warranty is specifically stated on the applicable 3M product packaging or product literature, 3M warrants that each 3M product meets the applicable 3M product specification at the time 3M ships the product. 3M MAKES NO OTHER WARRANTIES OR CONDITIONS, EXPRESS OR IMPLIED, INCLUDING, BUT NOT LIMITED TO, ANY IMPLIED WARRANTY OR CONDITION OF MERCHANTABILITY OR FITNESS FOR A PARTICULAR PURPOSE OR ANY IMPLIED WARRANTY OR CONDITION ARISING OUT OF A COURSE OF DEALING, CUSTOM OR USAGE OR TRADE. If the 3M product does not conform to this warranty, then the sole and exclusive remedy is, at 3M's option, replacement of the 3M product or refund of the purchase price.

Limitation of Liability: Except where prohibited by law, 3M will not be liable for any loss or damage arising from the 3M product, whether direct, indirect, special, incidental or consequential, regardless of the legal theory asserted, including warranty, contract, negligence or strict liability.

3M Company
 Display and Electronics Product Platform
 3M Center, Building 223-3S-32
 St Paul, MN 55144
 1-800-251-8634

REV.	ECO	ISSUE DATE AND DESCRIPTION	DRFT	CHKD
C	121423	FEB 7,2025 REVISED CONNECTOR OPTION	MN	TH
B	113721	DEC 27,2023 UPDATE FLEX DURABILITY	MN	TH
A	112599	OCT 20,2023 INITIAL RELEASE	MN	TH

TOLERANCES EXCEPT AS NOTED	DFTG M. NAITOU	DATE 10/13/23	3M 3M Center St. Paul, MN 55144	DIVISION DEPP	MODEL								
<table border="1"> <tr> <td>INCHES</td> <td>±</td> </tr> <tr> <td>.0</td> <td>±</td> </tr> <tr> <td>.00</td> <td>±</td> </tr> <tr> <td>.000</td> <td>±</td> </tr> </table>	INCHES	±		.0	±	.00	±	.000	±	CHKD T. HAYAUCHI	DATE 10/13/23	DIVISION CODE	
	INCHES	±											
.0	±												
.00	±												
.000	±												
	MFG	DATE	TITLE 3M™ COAXPRESS INDUSTRIAL CAMERA CABLE ASSEMBLY 1CXx-xx-0G SERIES										
	APPVL Y. KAWATE	DATE 10/13/23	FSCM NO.	SIZE A3	DRAWING NO. 78-5100-2783-8	REV. C							
MILLIMETERS	© 3M COPYRIGHT 2023 THIS DOCUMENT CONTAINS INFORMATION WHICH IS PROPRIETARY TO 3M COMPANY. NO REPRODUCTION OR PUBLICATION OF THIS DOCUMENT, IN WHOLE OR IN PART, SHALL BE MADE WITHOUT AUTHORIZATION FROM 3M.												
	 THIRD ANGLE PROJECTION												
ANGLES ±5°	SCALE				DET LISTS <input type="checkbox"/> YES <input type="checkbox"/> NO	SHT 3 OF 3							

DRAWING NO. 78-5100-2783-8 REV. C