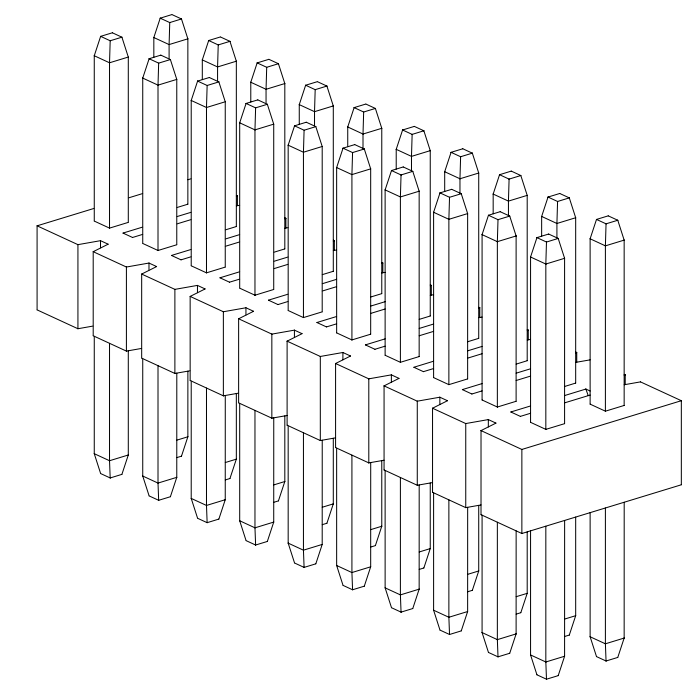
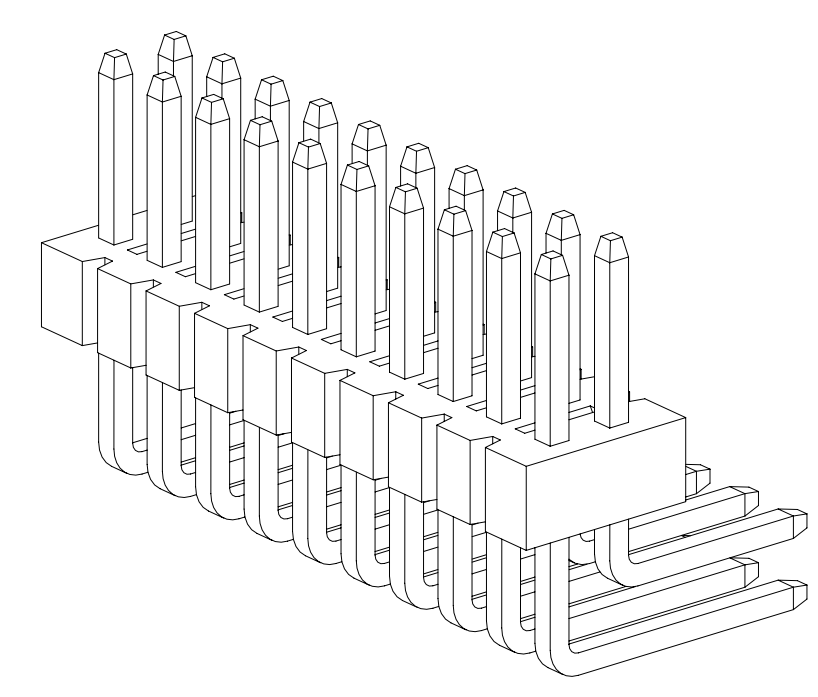


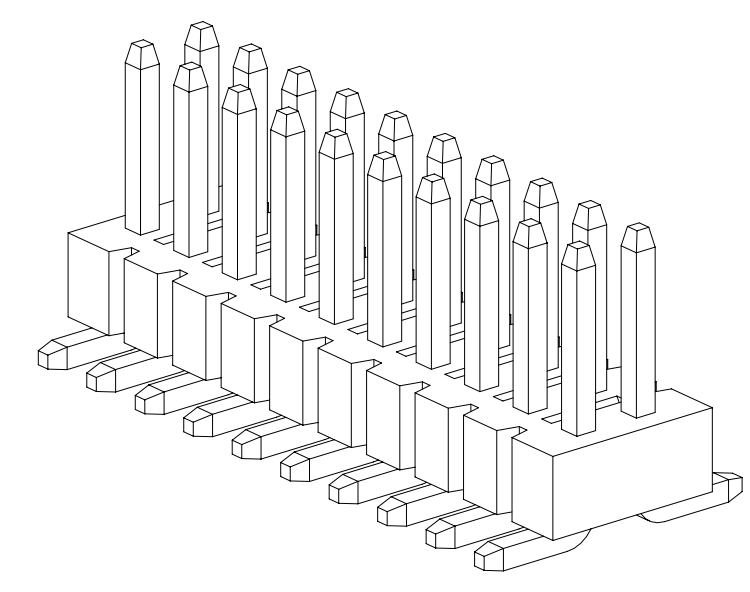
3M™ PIN STRIP HEADER, .050" [1.27mm], 908 SERIES
 DUAL ROW, STRAIGHT, RIGHT ANGLE AND SURFACE MOUNT, SOLDER TAIL



STRAIGHT
VERSION



RIGHT ANGLE
VERSION



SURFACE MOUNT
VERSION

2 PHYSICAL :

INSULATOR: GLASS FILLED POLYESTER (LCP)
 MATERIAL: UL94V-0
 FLAMMABILITY: UL94V-0
 COLOR: BLACK
 PIN: COPPER ALLOY
 PLATING: 1.27µm [50µ"] AVG. NICKEL-OVERALL
 UNDER PLATING: GOLD FLASH
 MATE AREA: GOLD FLASH
 SOLDER TAILS: GOLD FLASH

2 ELECTRICAL :

CURRENT RATING: 1A
 CONTACT RESISTANCE: ≤20mΩ
 INSULATION RESISTANCE: ≥1000MΩ
 WITHSTANDING VOLTAGE: 500V_{RMS}, 1mA, 60s

2 MECHANICAL :

RETENTION FORCE: ≥3N/PIN

2 ENVIRONMENTAL :

STRAIGHT AND RIGHT ANGLE:
 WORKING TEMP: -55° C TO +125° C
 HUMIDITY: ≤93% AT 40° C
 RESISTANCE TO SOLDERING HEAT: 260° C±5° C, 10s

SURFACE MOUNT:
 WORKING TEMP: -55° C TO +125° C
 HUMIDITY: ≤93% AT 40° C
 RESISTANCE TO SOLDERING HEAT: 260° C, 30s

NOTES

1. REGULATORY INFORMATION:
 VISIT 3M.com/regs

2. IN THE EVENT OF CONFLICT
 BETWEEN THIS DATA AND THAT
 CONTAINED IN THE PRODUCT
 SPECIFICATION, THE PRODUCT
 SPECIFICATION TAKES PRECEDENT.

3M ELECTRONICS MATERIALS SOLUTIONS DIVISION
 INTERCONNECT SOLUTIONS
<http://www.3M.com/interconnect>

3M IS A TRADEMARK OF 3M COMPANY.
 FOR TECHNICAL, SALES OR ORDERING
 INFORMATION CALL 800-225-5373

DIMENSIONS: MM [INCHES]
 [INCHES] IS FOR REF. ONLY

REV	ECO	ISSUE DATE AND DESCRIPTION	DRFT	CHKD
A	110471	MAY 25, 2023 PRODUCTION RELEASE	JNC	EST
B	114892	MAR 19, 2024 REVISE TAIL PLATING	JNC	EST

DESIGN REFERENCE	NEXT ASSEMBLY
ACROSS CODES	DIVISION CODE
DRFT	DATE
CHKD	DATE
APPRV	DATE
E. CHEN	MAR 15, 2023

DO NOT SCALE DRAWING	SCALE 8/1	TOLERANCES EXCEPT AS NOTED
THIRD ANGLE PROJECTION	INCHES	0 ± .005
INTERPRET PER ASME Y14.5 - 2018	MILLIMETERS	0 ± .2
MAX SURFACE ROUGHNESS	0 ± .15	0 ± .005
MARKED ONLY	ANGLES	

3M Center St. Paul, MN 55144

© 3M COPYRIGHT 2024
 This document and the information it contains are 3M property and may not be reproduced or further distributed without 3M permission, or used or disclosed other than for 3M authorized purposes. All rights reserved.

TITLE: PIN STRIP HEADER, .050" [1.27MM], 908 SERIES

CAGE NUMBER: D78-5100-2782-0

MODEL: 908XX

REV. B

DET. [] YES [X] NO SHT 1 OF 4

78-5100-2782-0
 DRAWING NUMBER

3M™ PIN STRIP HEADER, .050" [1.27mm], 908 SERIES
 DUAL ROW, STRAIGHT, RIGHT ANGLE AND SURFACE MOUNT, SOLDER TAIL

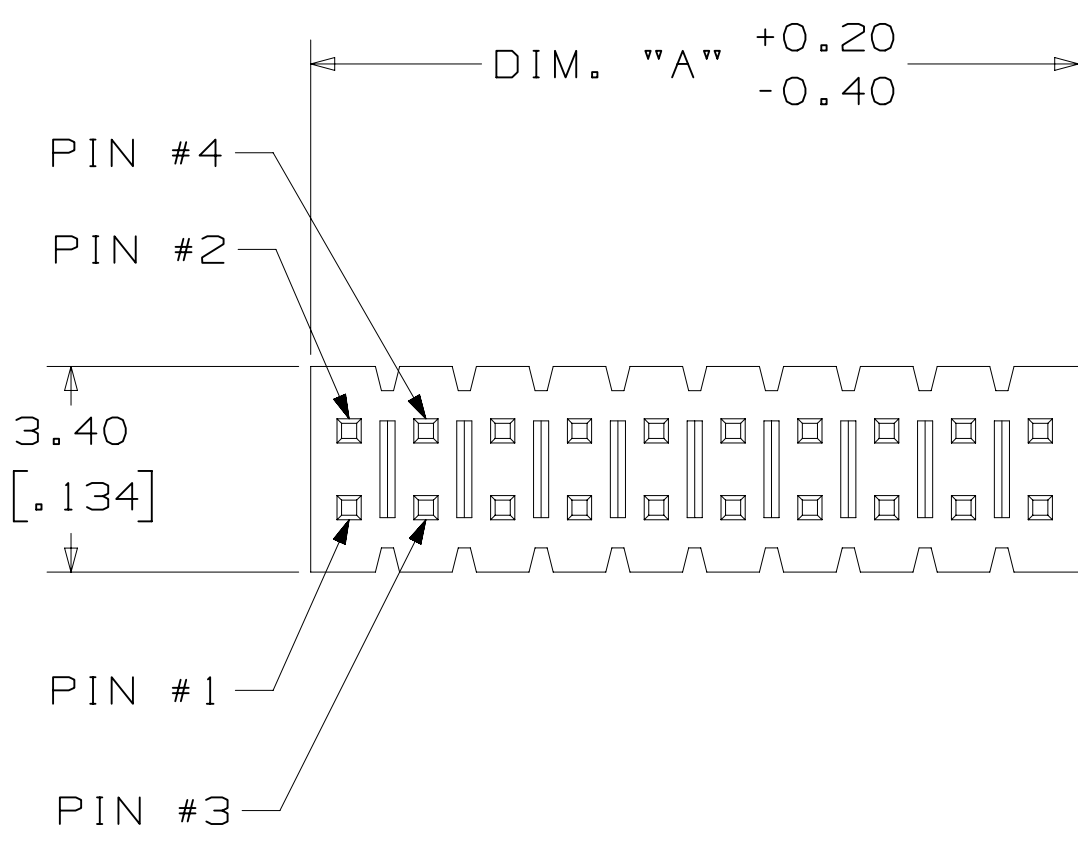
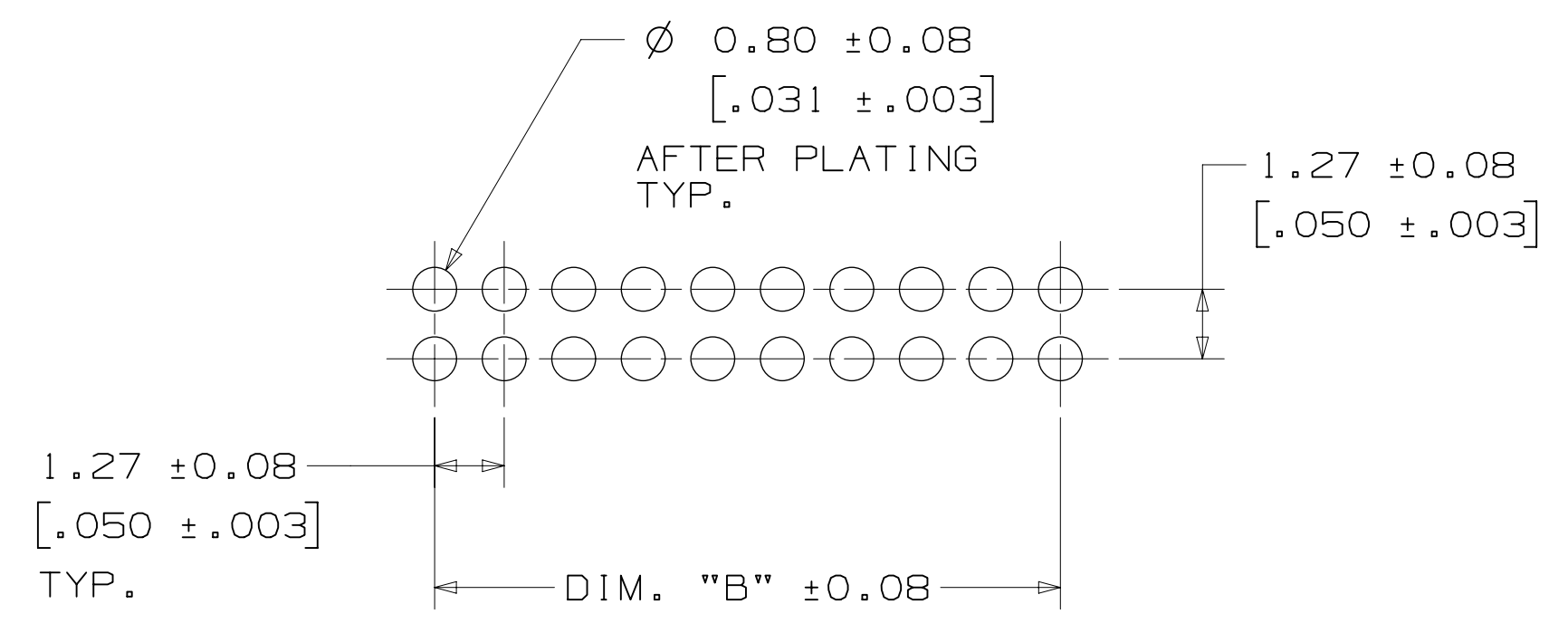
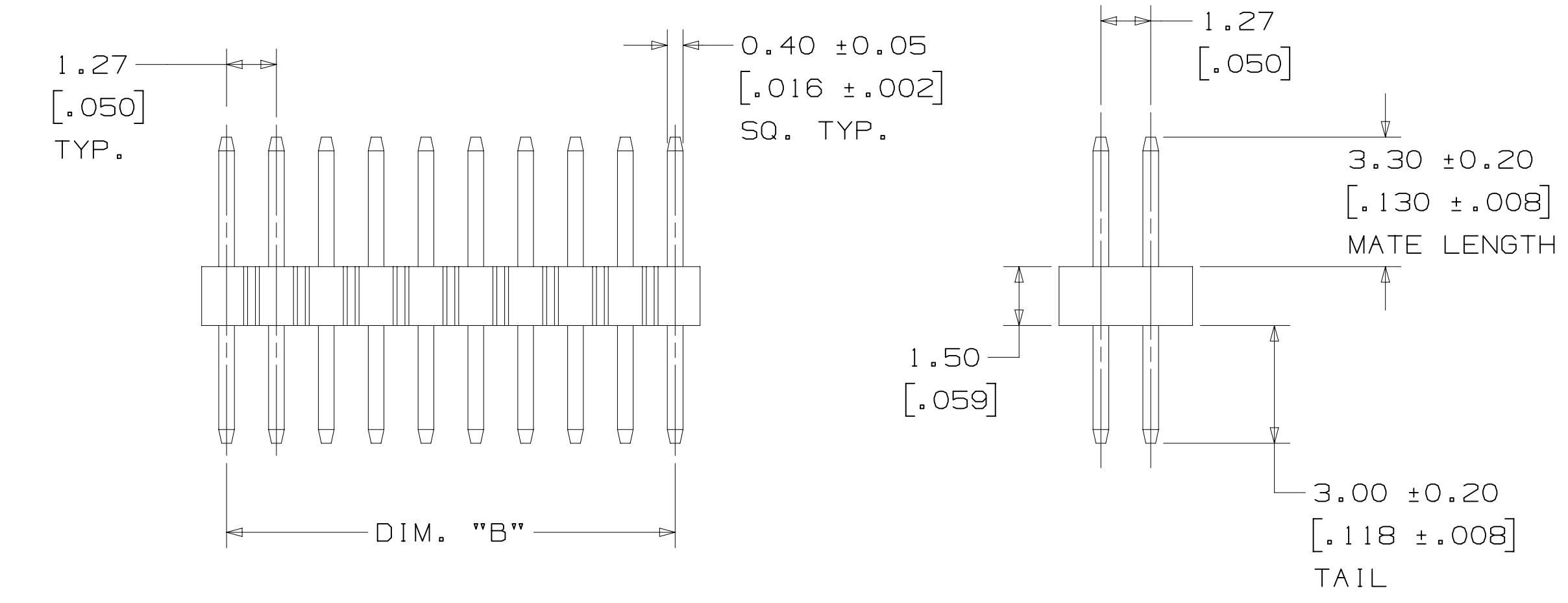


TABLE 1		
POSITION	DIM. "A"	DIM. "B"
40	25.4 [1.00]	24.13 [.95]
60	38.1 [1.50]	36.83 [1.45]
80	50.8 [2.00]	49.53 [1.95]



RECOMMENDED PC BOARD LAYOUT (VIEWED FROM CONNECTOR SIDE)

ORDERING INFORMATION
 STRAIGHT VERSION
 908XX-6000
 POSITION = TOTAL NUMBER OF PINS
 NOTE:
 1) SEE TABLE 1
 2) TRAY PACKAGING.

3M ELECTRONICS MATERIALS SOLUTIONS DIVISION
 INTERCONNECT SOLUTIONS
<http://www.3M.com/interconnect>
 3M IS A TRADEMARK OF 3M COMPANY.
 FOR TECHNICAL, SALES OR ORDERING
 INFORMATION CALL 800-225-5373

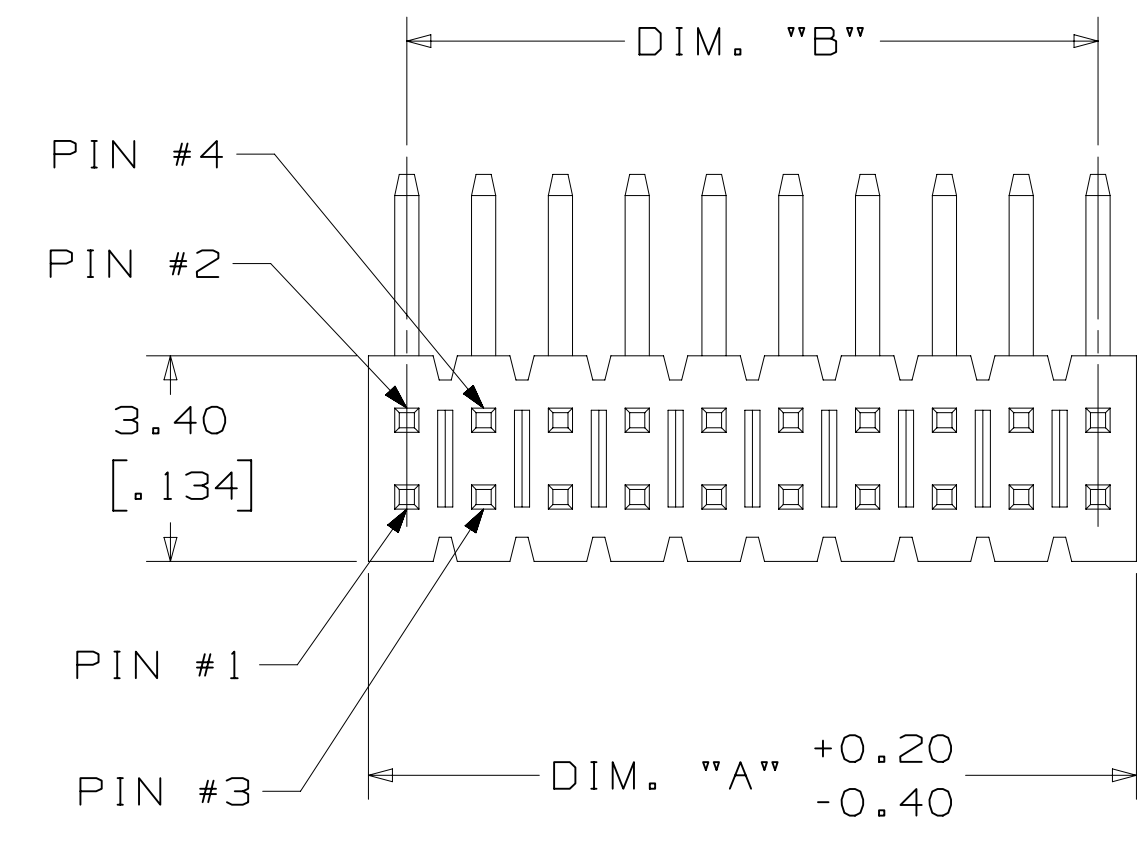
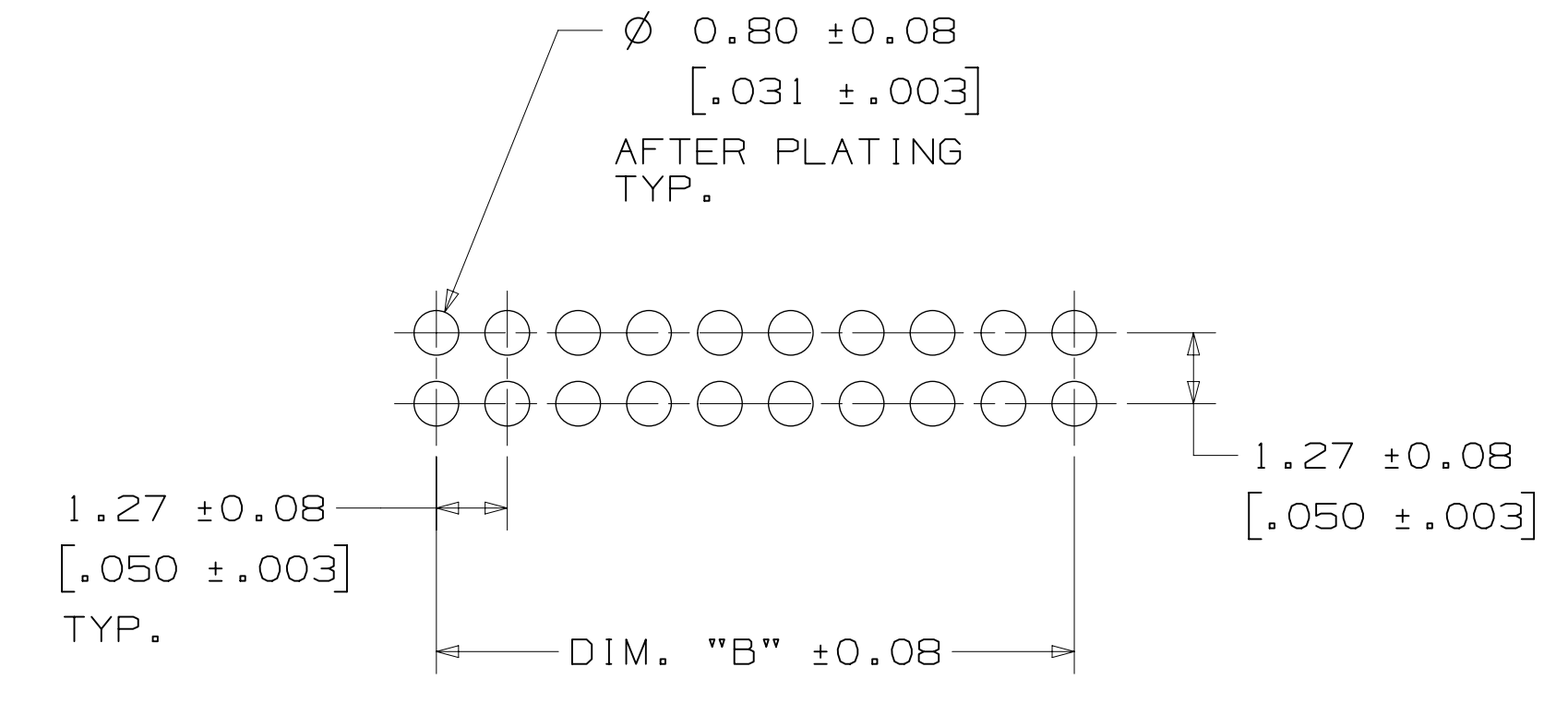
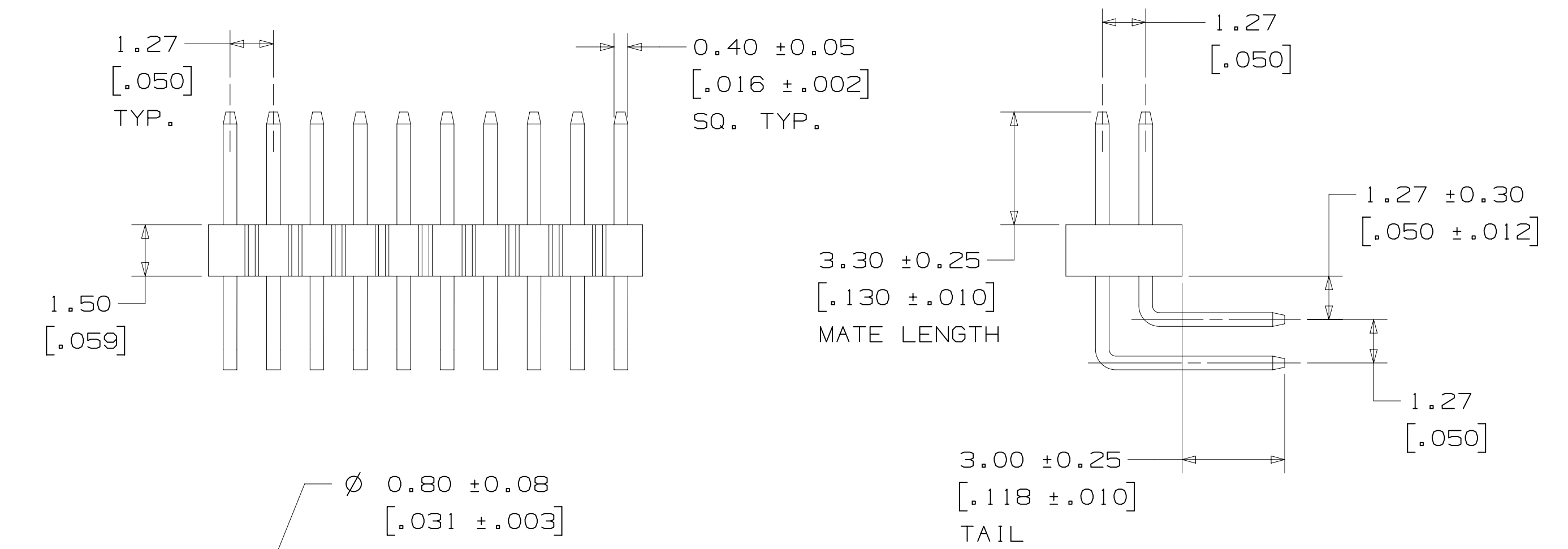


TABLE 2		
POSITION	DIM. "A"	DIM. "B"
40	25.4 [1.00]	24.13 [.95]
60	38.1 [1.50]	36.83 [1.45]
80	50.8 [2.00]	49.53 [1.95]



RECOMMENDED PC BOARD LAYOUT (VIEWED FROM CONNECTOR SIDE)

ORDERING INFORMATION
 RIGHT ANGLE VERSION
 908XX-5000
 POSITION = TOTAL NUMBER OF PINS
 NOTE:
 1) SEE TABLE 2
 2) TRAY PACKAGING.

DESIGN REFERENCE	NEXT ASSEMBLY	REV. B	114892	MAR 19, 2024	JNC	EST
SCALE	SCALE	REV. A	110471	MAY 25, 2023	JNC	EST
THIRD ANGLE PROJECTION	INTERPRET PER ASME Y14.5 - 2018	ISSUE DATE AND DESCRIPTION PRODUCTION RELEASE				
MAX SURFACE ROUGHNESS	MAX SURFACE ROUGHNESS	DRFT	CHKD	DATE	DATE	DATE
MARKED ONLY	MARKED ONLY	CASTIGLIONE	MAR 02, 2023	MFG	MAR 02, 2023	MFG
TOLERANCES EXCEPT AS NOTED INCHES .00 ± .000 ± .0000 ±		DIVISION CODE EMSD				
MILLIMETERS 0 ±.2 .00 ±.15 .000 ±.005		APPROV. E. CHEN DATE MAR 15, 2023				
TITLE PIN STRIP HEADER, .050" [1.27MM], 908 SERIES		© 3M COPYRIGHT 2024 This document and the information it contains are 3M property and may not be reproduced or further distributed without 3M permission, or used or disclosed other than for 3M authorized purposes. All rights reserved.				
MODEL 908XX		CAGE NUMBER	SIZE	DRAWING NO.	REV.	
		D		78-5100-2782-0	B	
		DET. <input type="checkbox"/> YES <input checked="" type="checkbox"/> NO		SHT 2 OF 4		

78-5100-2782-0
DRAWING NUMBER

A

3M™ PIN STRIP HEADER, .050" [1.27mm], 908 SERIES
 DUAL ROW, STRAIGHT, RIGHT ANGLE AND SURFACE MOUNT, SOLDER TAIL

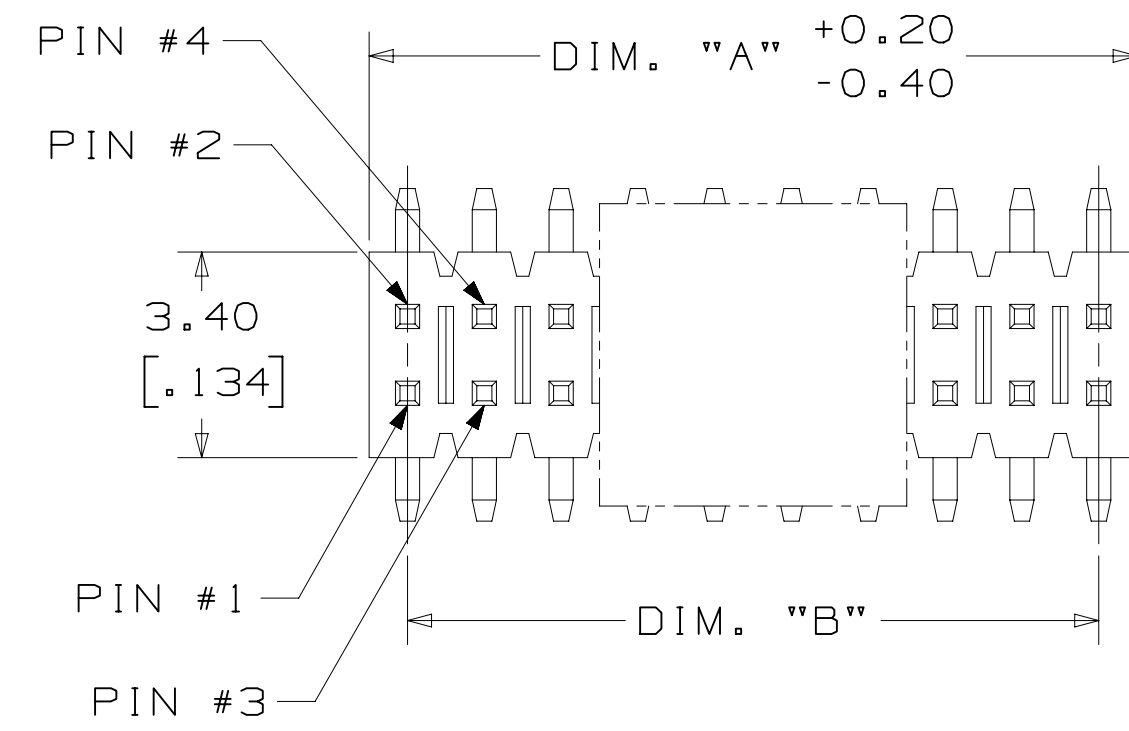


TABLE 3		
POSITION	DIM. "A"	DIM. "B"
40	25.4 [1.00]	24.13 [.95]
60	38.1 [1.50]	36.83 [1.45]
80	50.8 [2.00]	49.53 [1.95]

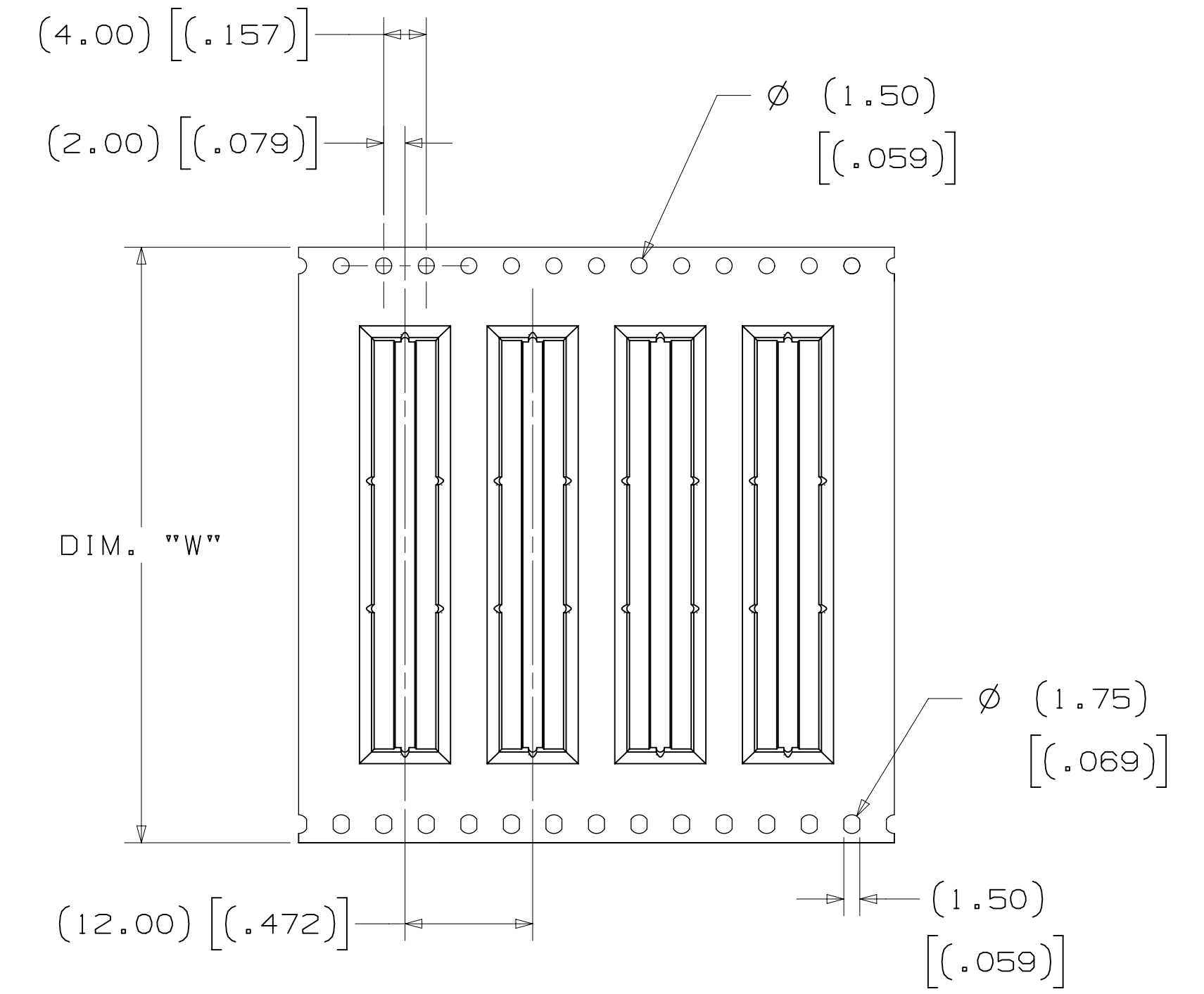
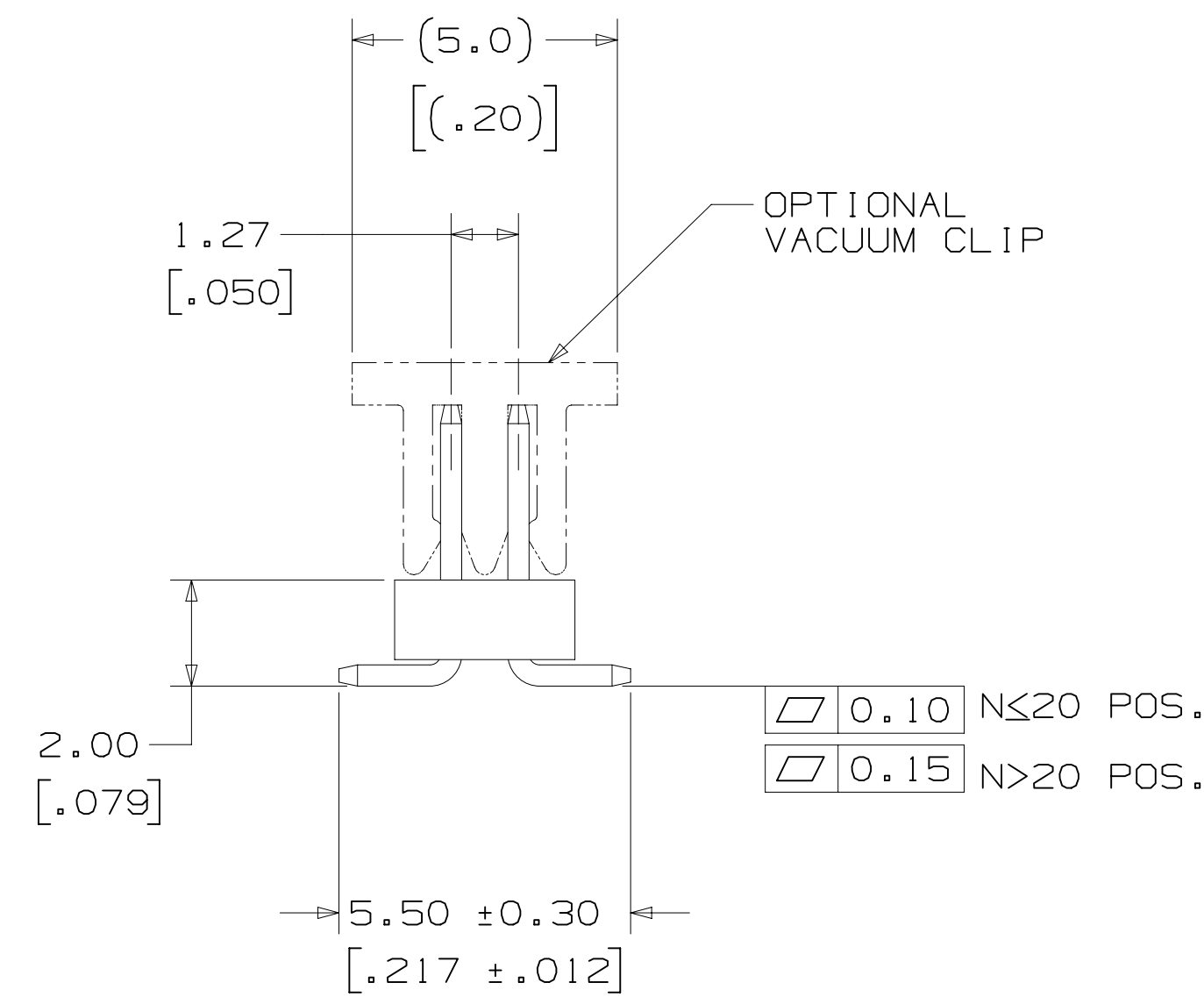
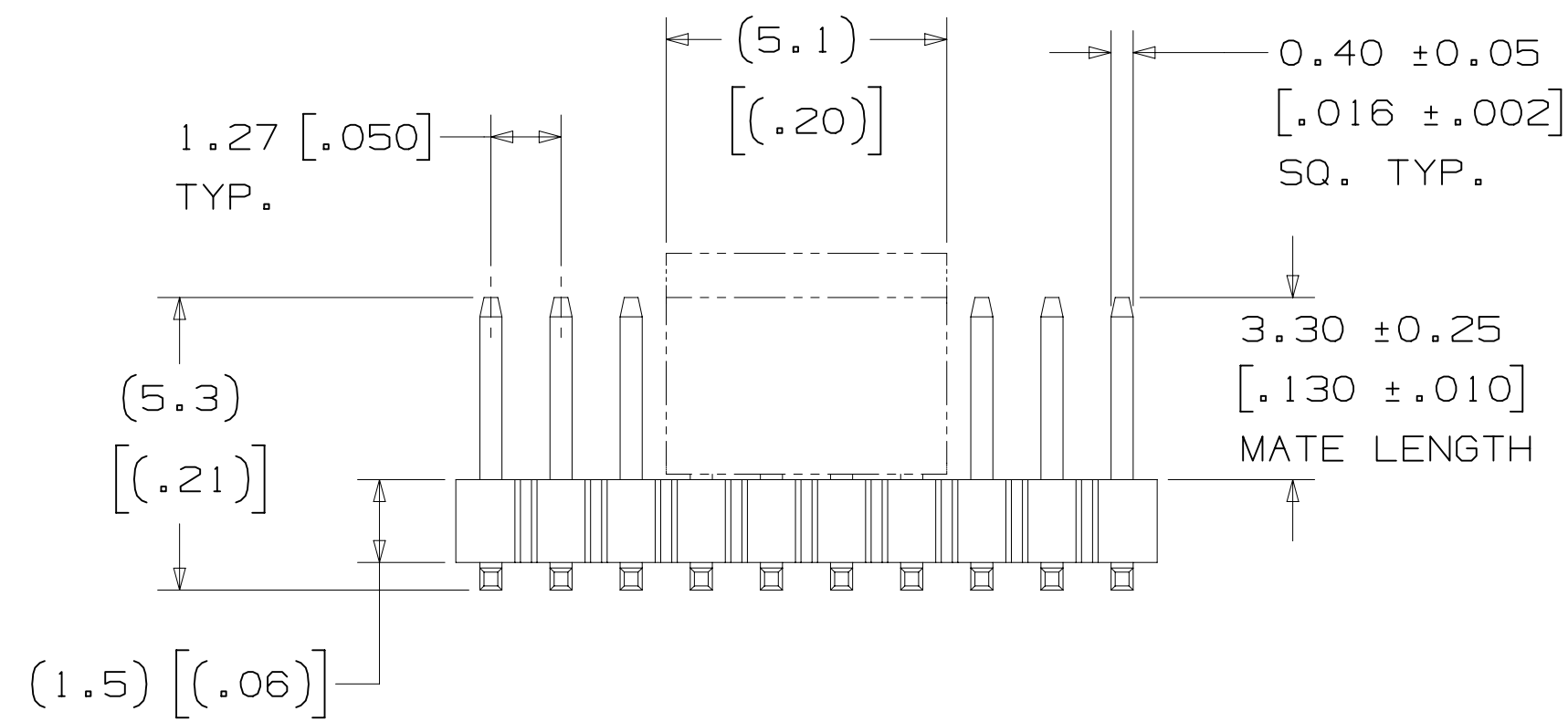
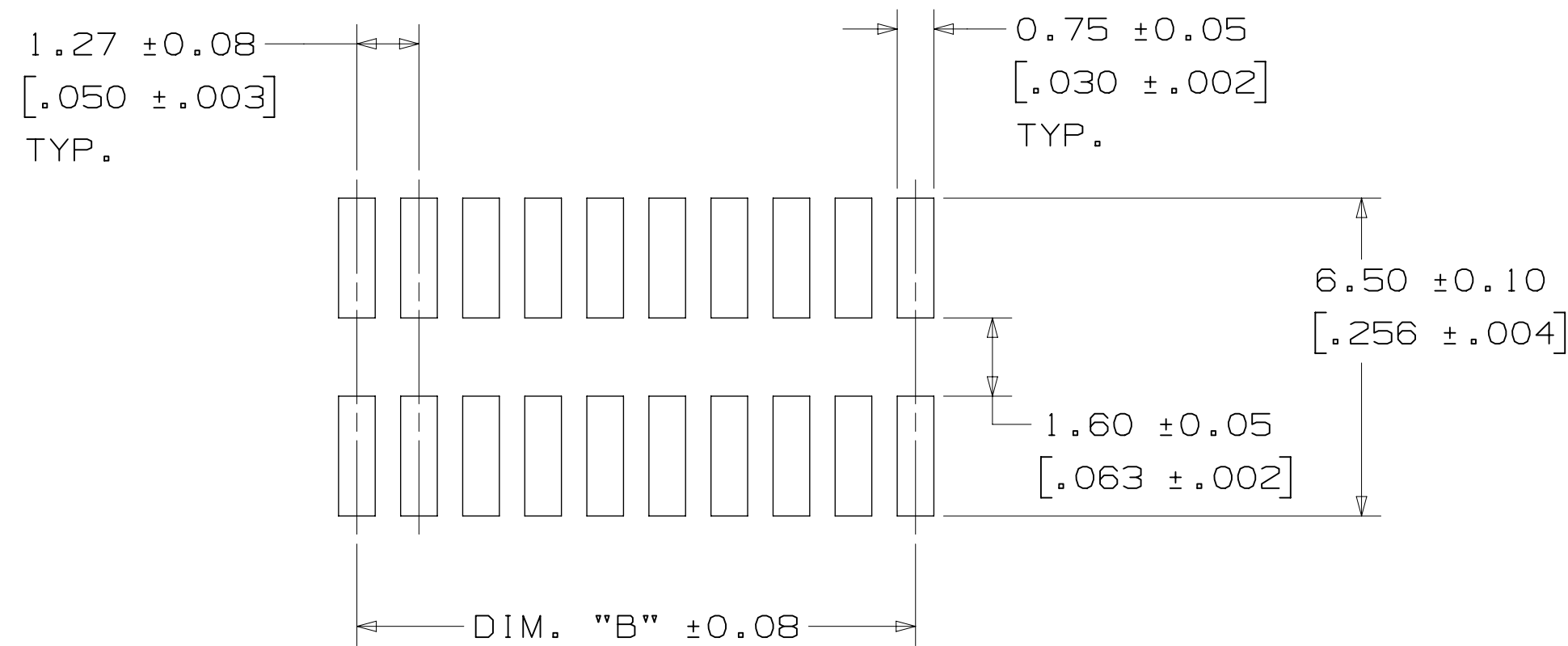


TABLE 4	
POSITION	DIM. "W"
40	44mm
60	56mm
80	72mm



RECOMMENDED PC BOARD LAYOUT
 (VIEWED FROM CONNECTOR SIDE)

ORDERING INFORMATION
 SURFACE MOUNT VERSION

908XX-2000

POSITION = TOTAL NUMBER OF PINS

- NOTE:
 1) SEE TABLE 3
 2) TAPE AND REEL PACKAGING - SEE TABLE 4

3M ELECTRONICS MATERIALS SOLUTIONS DIVISION
 INTERCONNECT SOLUTIONS
<http://www.3m.com/interconnect>

3M IS A TRADEMARK OF 3M COMPANY.
 FOR TECHNICAL, SALES OR ORDERING
 INFORMATION CALL 800-225-5373

DESIGN REFERENCE	NEXT ASSEMBLY	REV	ECO	ISSUE DATE AND DESCRIPTION	DRFT	CHKD
		CASTIGLIONE	MAR 02, 2023	MFG		
DIVISION	DIVISION CODE	DATE	DATE	DATE	DATE	DATE
	EMSD					
DO NOT SCALE DRAWING	SCALE 8/1	TOLERANCES EXCEPT AS NOTED		© 3M COPYRIGHT 2024 This document and the information it contains are 3M property and may not be reproduced or further distributed without 3M permission, or used or disclosed other than for 3M authorized purposes. All rights reserved.		
THIRD ANGLE PROJECTION	INTERPRET PER ASME Y14.5 - 2018	MILLIMETERS 0 ±.2		TITLE PIN STRIP HEADER, .050" [1.27MM], 908 SERIES		
MAX SURFACE ROUGHNESS	MARKED ONLY	.00 ±.005		CAGE NUMBER DRAWING NO. 78-5100-2782-0		
		INCHES .00 ±.005		MODEL 908XX		
		ANGLES		REV. B		

78-5100-2782-0
DRAWING NUMBER

B
REVISION

SHT 3 OF 4

8 7 6 5 4 3 2 1

3M™ PIN STRIP HEADER, .050" [1.27mm], 908 SERIES
 DUAL ROW, STRAIGHT, RIGHT ANGLE AND SURFACE MOUNT, SOLDER TAIL

Regulatory: For regulatory information about this product, visit 3M.com/regs or contact your 3M representative.

Technical Information: The technical information, guidance, and other statements contained in this document or otherwise provided by 3M are based upon records, tests, or experience that 3M believes to be reliable, but the accuracy, completeness, and representative nature of such information is not guaranteed. Such information is intended for people with knowledge and technical skills sufficient to assess and apply their own informed judgment to the information. No license under any 3M or third party intellectual property rights is granted or implied with this information.

Product Use: Many factors beyond 3M's control and uniquely within user's knowledge and control can affect the use and performance of a 3M product in a particular application. As a result, customer is solely responsible for evaluating the product and determining whether it is appropriate and suitable for customer's application, including conducting a workplace hazard assessment and reviewing all applicable regulations and standards (e.g., OSHA, ANSI, etc.). Failure to properly evaluate, select, and use a 3M product in accordance with all applicable instructions and with appropriate safety equipment, or to meet all applicable safety regulations, may result in injury, sickness, death, and/or harm to property.

Warranty, Limited Remedy, and Disclaimer: Unless a different warranty is specifically stated on the applicable 3M product packaging or product literature (in which case such warranty governs), 3M warrants that each 3M product meets the applicable 3M product specification at the time 3M ships the product. 3M MAKES NO OTHER WARRANTIES OR CONDITIONS, EXPRESS OR IMPLIED, INCLUDING, BUT NOT LIMITED TO, ANY IMPLIED WARRANTY OR CONDITION OF MERCHANTABILITY, FITNESS FOR A PARTICULAR PURPOSE, OR ANY IMPLIED WARRANTY OR CONDITION ARISING OUT OF A COURSE OF DEALING, CUSTOM, OR USAGE OF TRADE. If a 3M product does not conform to this warranty, then the sole and exclusive remedy is, at 3M's option, replacement or repair of the 3M product or refund of the purchase price.


Limitation of Liability: Except for the limited remedy stated above, and except to the extent prohibited by applicable law, 3M will not be liable for any loss or damage arising from or related to the 3M product, whether direct, indirect, special, incidental, or consequential (including, but not limited to, lost profits or business opportunity), regardless of the legal or equitable theory asserted, including, but not limited to, warranty, contract, negligence, or strict liability.

Disclaimer: For industrial use only. Not intended, labeled or packaged for consumer sale or use.

3M Company
 Electronics Materials Solutions Division
 13011 McCallen Pass, Bldg. C
 Austin, TX 78753-5380
 1-800-225-5373
 www.3M.com/interconnect

3M ELECTRONICS MATERIALS SOLUTIONS DIVISION
 INTERCONNECT SOLUTIONS
<http://www.3M.com/interconnect>

3M IS A TRADEMARK OF 3M COMPANY.
 FOR TECHNICAL, SALES OR ORDERING
 INFORMATION CALL 800-225-5373

DESIGN REFERENCE	NEXT ASSEMBLY	REV	ECO	ISSUE DATE AND DESCRIPTION	DRFT	CHKD
		CASTIGLIONE	MAR 02, 2023	MFG		
				DATE	DATE	DATE
				APPRV	DATE	DATE
				E. CHEN	MAR 15, 2023	
DIVISION	DIVISION CODE	 © 3M COPYRIGHT 2024 This document and the information it contains are 3M property and may not be reproduced or further distributed without 3M permission, or used or disclosed other than for 3M authorized purposes. All rights reserved.				
DO NOT SCALE DRAWING	SCALE 1/1	TOLERANCES EXCEPT AS NOTED INCHES .00 ± .000 ± .0000 ±				
THIRD ANGLE PROJECTION	INTERPRET PER ASME Y14.5 - 2018	MILLIMETERS 0 ± 2 .00 ± 0.15 .000 ± 0.005				
MAX SURFACE ROUGHNESS	MARKED ONLY	CAGE NUMBER	SIZE	DRAWING NO.	REV.	
		D	908XX	78-5100-2782-0	B	
		MODEL		DET	LISTS	YES <input type="checkbox"/> NO <input type="checkbox"/> SHT 4 OF 4

78-5100-2782-0
DRAWING NUMBER