

# 3M-Matic™ Random Case Sealer 7000r/7000r3 with AccuGlide™ 2+ Taping Head

## Consistent. Reliable. Tough.

Today, companies need to be fast and flexible in every phase of their operations—and that includes end-of-line packaging. The 3M-Matic™ Random Case Sealer 7000r/7000r3 gives manufacturers and distributors from every industry the packaging flexibility and speed to stay one step ahead of the competition.

This advanced technology case sealer is an ideal solution for top and bottom sealing of random-sized cases. Automatically adjusting to both case height and width, the 3M-Matic™ Random Case Sealer 7000r/7000r3 can handle up to 15 different case sizes per minute.



### Operating Rate

Seals up to 15 random sized cases per minute

### Box Capacities

**Length:** 152mm to unlimited

**Width:** 178mm to 546mm

**Height:** 121mm to 622mm



# 3M-Matic™ Random Case Sealer 7000r/7000r3

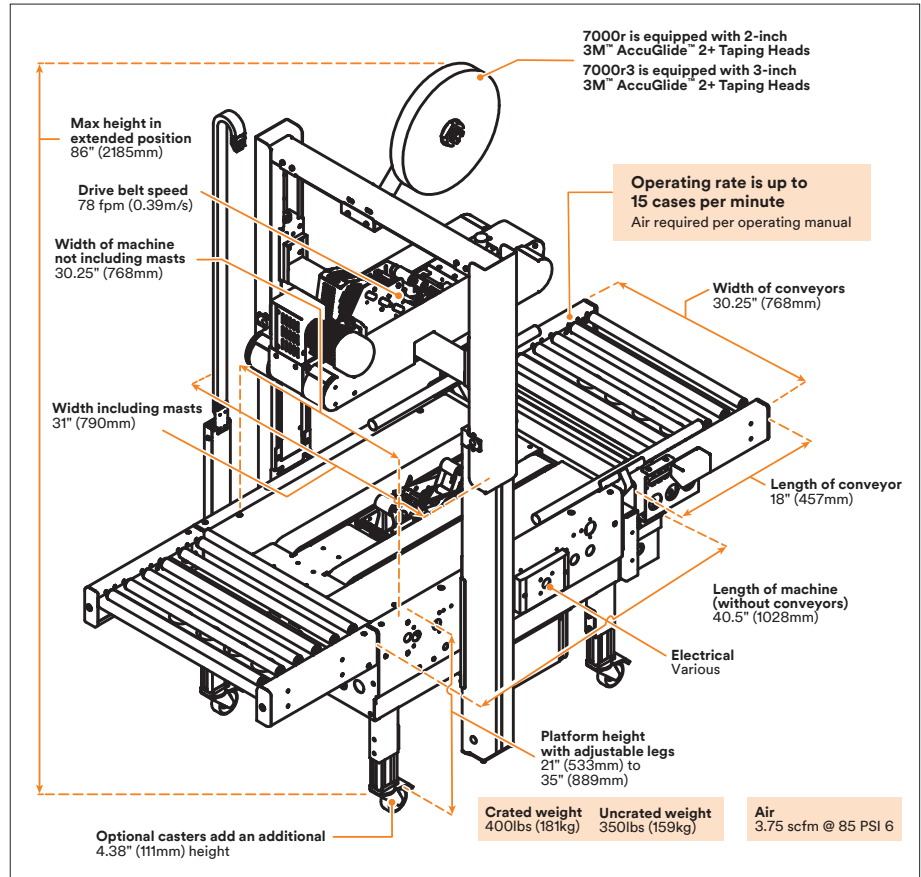
## Innovative Features

- 3M™ AccuGlide™ 2+ Taping Heads ensure reliable application of tape without box damage
- Auxiliary offset taping head position provides more flexibility in sealing shorter boxes
- Interchangeable 2- or 3-inch taping heads maximize production flexibility
- Rugged, dual-extruded columns allow for smooth, incremental adjustments to case heights
- Photo eye detection for box centering quickly responds to cartons of different widths
- Electro-mechanical height adjustment delivers precision performance and durability

## Standard Features

- Top and bottom drive belt system
- Centrally located emergency stop
- Dual masts
- Infeed conveyor

**Options:** Exit conveyor, locking casters, low tape indicator, tape application monitor



## Box Capacities

Machine	Length		Width		Height	
	Minimum (mm)	Maximum (mm)	Minimum (mm)	Maximum (mm)	Minimum* (mm)	Maximum* (mm)
7000r/ 7000r3	152	N/L	178	546	121	622

\*Requires a column or bumper adjustment for case heights lower than 114mm and higher than 660mm.

\*\*Maximum case height of 622mm obtained by moving the columns and upper assembly to the uppermost position.

Contact your 3M representative for special modifications that may be available for sizes not listed.

**Note:** This technical information and data should be considered representative or typical only and should not be used for specification purposes.



**3M Australia Pty Ltd**  
**Safety & Industrial Business Group**  
 Building A, 1 Rivett Rd  
 North Ryde, NSW 2113  
 Phone 136 136  
 Web [www.3M.com.au/packaging](http://www.3M.com.au/packaging)

**3M New Zealand Ltd**  
**Safety & Industrial Business Group**  
 94 Apollo Drive,  
 Rosedale, Auckland 0632  
 Phone 0800252 627  
 Web [www.3M.co.nz/packaging](http://www.3M.co.nz/packaging)

**Product Use:** Many factors beyond 3M's control and uniquely within user's knowledge and control can affect the use and performance of a 3M product in a particular application. Given the variety of factors that can affect the use and performance of a 3M product, user is solely responsible for evaluating the 3M product and determining whether it is fit for a particular purpose and suitable for user's method of application. **Warranty, Limited Remedy, and Disclaimer:** Unless an additional warranty is specifically stated on the applicable 3M product packaging or product literature, 3M warrants that each 3M product meets the applicable 3M product specification at the time 3M ships the product. If the 3M product does not conform to this warranty, then the sole and exclusive remedy is, at 3M's option, replacement of the 3M product or refund of the purchase price. **Limitation of Liability:** Except where prohibited by law, 3M will not be liable for any loss or damage arising from the 3M product, whether direct, indirect, special, incidental or consequential, regardless of the legal theory asserted, including warranty, contract, negligence or strict liability.

3M, 3M-Matic and AccuGlide are trademarks of 3M Company.

Please recycle. Printed in Australia. © 3M 2023. All rights reserved. AV011510326