

30AWG BRAIDED CABLE BUNDLE

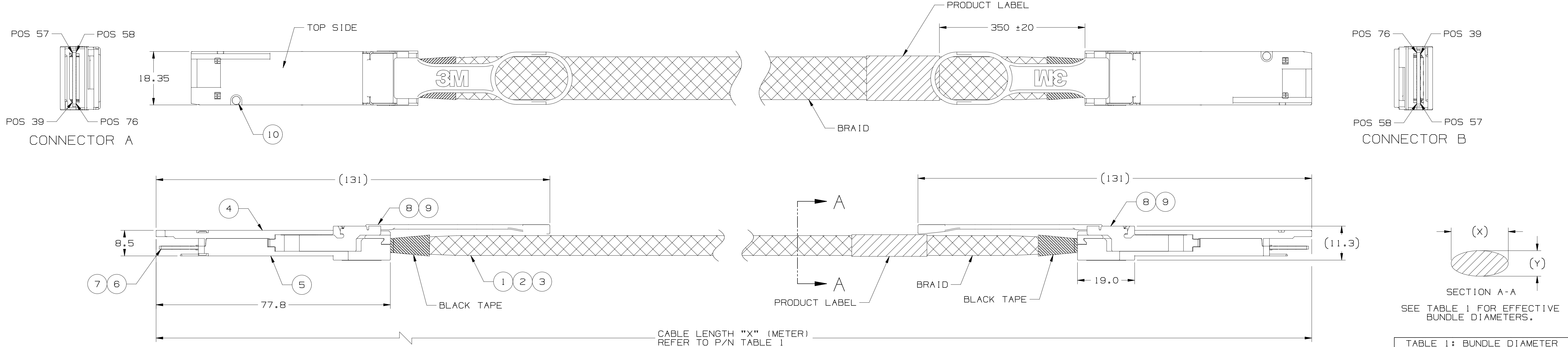


TABLE 1: BUNDLE DIAMETER

	X	Y
30 AWG	14.7	6.6
28 AWG	16.6	8.4
26 AWG	19.5	11.5

WIRING LIST

P1 END		P2 END	
POS	SIGNAL	POS	SIGNAL
1	GND (TX)	20	GND (RX)
2	TX2n	21	RX2n
3	TX2P	22	RX2p
4	GND (TX)	23	GND (RX)
5	TX4n	24	RX4n
6	TX4P	25	RX4p
7	GND (TX)	26	GND (RX)
13	GND (RX)	32	GND (TX)
14	RX3p	33	TX3p
15	RX3n	34	TX3n
16	GND (RX)	35	GND (TX)
17	RX1p	36	TX1p
18	RX1n	37	TX1n
19	GND (RX)	38	GND (TX)
20	GND (RX)	1	GND (TX)
21	RX2n	2	TX2n
22	RX2p	3	TX2P
23	GND (RX)	4	GND (TX)
24	RX4n	5	TX4n
25	RX4p	6	TX4P
26	GND (RX)	7	GND (TX)
32	GND (TX)	13	GND (RX)
33	TX3p	14	RX3p
34	TX3n	15	RX3n
35	GND (TX)	16	GND (RX)
36	TX1p	17	RX1p
37	TX1n	18	RX1n
38	GND (TX)	19	GND (RX)

WIRING LIST

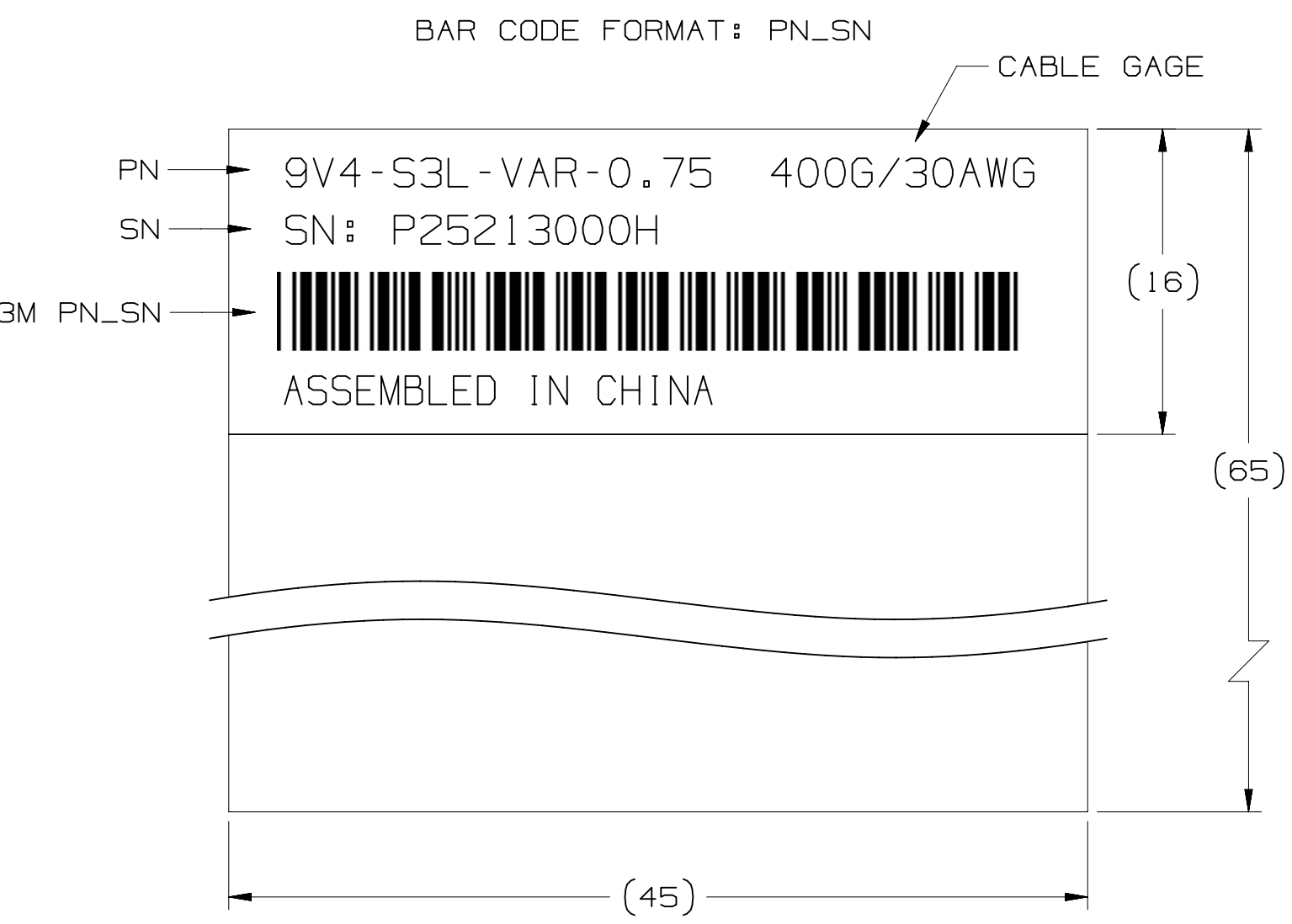
P1 END		P2 END	
POS	SIGNAL	POS	SIGNAL
39	GND (TX)	58	GND (RX)
40	TX6n	59	RX6n
41	TX6P	60	RX6p
42	GND (TX)	61	GND (RX)
43	TX8n	62	RX8n
44	TX8P	63	RX8p
45	GND (TX)	64	GND (RX)
51	GND (RX)	70	GND (TX)
52	RX7p	71	TX7p
53	RX7n	72	TX7n
54	GND (RX)	73	GND (TX)
55	RX5p	74	TX5p
56	RX5n	75	TX5n
57	GND (RX)	76	GND (TX)
58	GND (RX)	39	GND (TX)
59	RX6n	40	TX6n
60	RX6p	41	TX6P
61	GND (RX)	42	GND (TX)
62	RX8n	43	TX8n
63	RX8p	44	TX8P
64	GND (RX)	45	GND (TX)
70	GND (TX)	51	GND (RX)
71	TX7p	52	RX7p
72	TX7n	53	RX7n
73	GND (TX)	54	GND (RX)
74	TX5p	55	RX5p
75	TX5n	56	RX5n
76	GND (TX)	57	GND (RX)

LOW SPEED SIGNALS P1 & P2

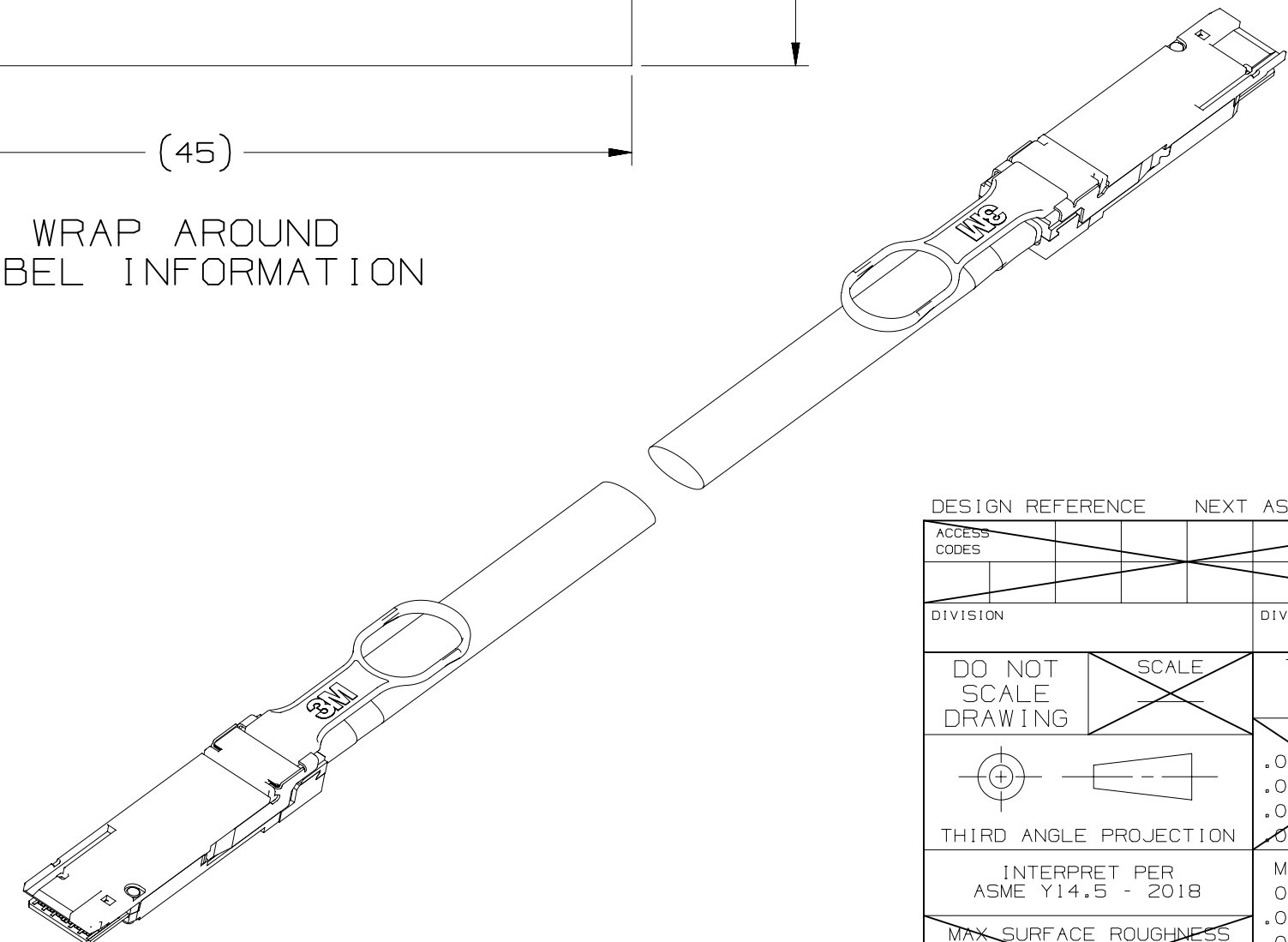
POS	SIGNAL
8	ModSelL
9	ResetL
10	VccRx
11	SCL
12	SDA
27	ModPrsL
28	IntL
29	VccTx
30	Vcc1
31	LPMODE

LOW SPEED SIGNALS P1 & P2

POS	SIGNAL
46	TBD
47	TBD
48	VCC
49	TBD
50	TBD
65	NO CONNECT
66	TBD
67	VCC
68	VCC
69	TBD



WRAP AROUND LABEL INFORMATION



DESIGN REFERENCE	NEXT ASSEMBLY
SCALE	TOLERANCES EXCEPT AS NOTED
DO NOT SCALE DRAWING	INTERPRET PER ASME Y14.5 - 2018
THIRD ANGLE PROJECTION	MAX SURFACE ROUGHNESS
	MARKED SURFACES
	ANGLES ±1°

REV	ECO	ISSUE DATE AND DESCRIPTION	DRFT	CHKD
B	114975	MAR 15, 2024 REVISE NOTE 4 ADD 3M LOGO	JNC	DLD
A	0109486	MAY 16, 2023 WORK REQUEST 13376 INITIAL RELEASE	LDS	DLD
REV	DATE	DATE	DATE	DATE
DRP	L SCHMIDT	MAR 14, 2023	MFG	
CHKD	D DOYE	MAR 17, 2023	APPL	
This document and the information it contains are 3M property and may not be reproduced or further distributed without 3M permission, or used or disclosed other than for 3M authorized purposes. All rights reserved.				
© 3M COPYR[IGHT] 2024 3M Center St. Paul, MN 55144				
TITLE 3M™ 400G DAC QSFP-DD, VW-1, HF BRAIDED SLEEVE				
CAGE NUMBER	SIZE	DRAWING NO.	REV.	
D		78-5100-2785-3	B	
MODEL	DET	IS1s	YES	NO
		SHT	1	OF 2

78-5100-2785-3

3M™ 400G QSFP-DD Direct Attach Copper Cable Assemblies, 9V Series
 Visit 3M.com/interconnect

NOTES:

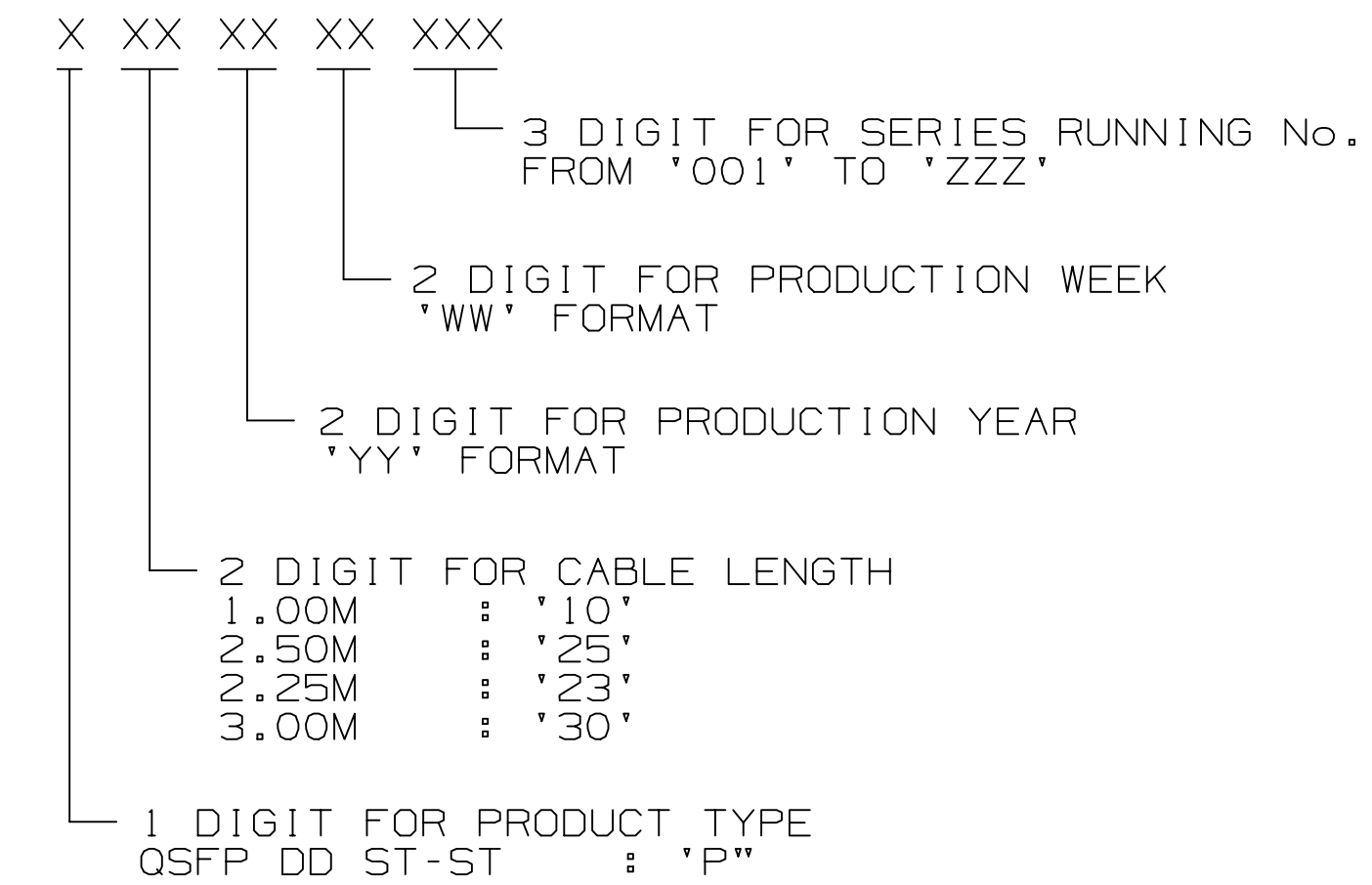
- ORDERING INFORMATION: REFER TO TABLE 2 FOR DETAILS.
- REFER TO TABLE 2 FOR CABLE LENGTH AND WIRE AWG
- CABLE ASSEMBLY DESIGNED TO QSFP-DD MSA & IEEE 802.3cd SPECIFICATION
- MATERIALS:
 BACKSHELLS: NICKEL PLATED ZINC DIE CAST
 PULL TAB DELATCH: OVERMOLDED STAINLESS STEEL
 BUNDLED CABLE: HALOGEN FREE¹, RATED UL VW-1 PER UL STYLE 22429
- UNLESS OTHERWISE NOTED, REFERENCES TO INDUSTRY SPECIFICATIONS ARE INTENDED TO INDICATE SUBSTANTIAL COMPLIANCE TO THE MATERIAL ELEMENTS OF THE SPECIFICATION. SUCH REFERENCES SHOULD NOT BE CONTRUED AS A GUARANTEE OF COMPLIANCE TO ALL REQUIREMENTS IN A GIVEN SPECIFICATION.
- PRODUCT SPECIFICATION REFER TO 3M DOCUMENT: PS-0452.
- CABLE RETURN LOSS PERFORMANCE IS VALID FOR CABLE ASSEMBLIES OF A MINIMUM OF 1.00 METER IN LENGTH. CABLE ASSEMBLIES LESS THAN 1.00 METER IN LENGTH MAY NOT ACHIEVE THE RETURN LOSS PERFORMANCE IN IEEE802.3cd. CABLE RETURN LOSS PERFORMANCE IS SUBJECT TO CHANGE WITH DIFFERENT CABLE ASSEMBLY LENGTHS. END USER WILL NEED TO DETERMINE WHETHER THIS PRODUCT IS SUITABLE FOR THEIR INTENDED APPLICATION.
- FOR CUSTOM LENGTHS CONTACT A 3M SALES REPRESENTATIVE
- EEPROM MAP FOLLOWS QSFP DD CMIS REV 4.0.

FOOT NOTE:

- CABLE IS UL HALOGEN FREE (HF) CERTIFIED IN ACCORDANCE WITH UL 2885, *OUTLINE OF INVESTIGATION FOR ACID GAS, ACIDITY AND CONDUCTIVITY OF COMBUSTED MATERIALS AND ASSESSMENT OF HALOGENS*.

TABLE 2					
ORDERING INFORMATION	CABLE GAUGE	ASSEMBLY LENGTH (m)	TOLERANCE +/- (mm)	CABLE BUNDLE SIZE (INCHES) EFFECTIVE DIAMETER MEASURED WITH OD TAPE	SDD21 < (dB) per IEEE802.3cd
9V4-S3L-VAR-0.75	30AWG	0.75	15	0.42" +/- 0.02" OVAL BUNDLE	11.0
9V4-S3L-VAR-1.00		1.00			11.7
9V4-S3L-VAR-1.25		1.25			12.9
9V4-S3L-VAR-1.50		1.50	25		14.0
9V4-S3L-VAR-1.75		1.75			15.2
9V4-S3L-VAR-2.00		2.00			16.4
9V4-S8L-VAS-2.00	28AWG	2.00	25	0.50" +/- 0.02" OVAL BUNDLE	13.7
9V4-S8L-VAS-2.25		2.25			14.6
9V4-S8L-VAS-2.50		2.50			15.6
9V4-S8L-VAS-2.75		2.75			16.5
9V4-S6L-VAT-2.75	26AWG	2.75	25	0.57" +/- 0.02" OVAL BUNDLE	14.2
9V4-S6L-VAT-3.00		3.00			15.1
9V4-S6L-VAT-3.25		3.25			16.0
9V4-S6L-VAT-3.50		3.50			16.9

SERIAL NUMBER DETAIL



Regulatory: For regulatory information about this product, visit 3M.com/regs or contact your 3M representative.

Technical Information: The technical information, guidance, and other statements contained in this document or otherwise provided by 3M are based upon records, tests, or experience that 3M believes to be reliable, but the accuracy, completeness, and representative nature of such information is not guaranteed. Such information is intended for people with knowledge and technical skills sufficient to assess and apply their own informed judgment to the information. No license under any 3M or third party intellectual property rights is granted or implied with this information.

Product Use: Many factors beyond 3M's control and uniquely within user's knowledge and control can affect the use and performance of a 3M product in a particular application. As a result, customer is solely responsible for evaluating the product and determining whether it is appropriate and suitable for customer's application, including conducting a workplace hazard assessment and reviewing all applicable regulations and standards (e.g., OSHA, ANSI, etc.). Failure to properly evaluate, select, and use a 3M product in accordance with all applicable instructions and with appropriate safety equipment, or to meet all applicable safety regulations, may result in injury, sickness, death, and/or harm to property.

Warranty, Limited Remedy, and Disclaimer: Unless a different warranty is specifically stated on the applicable 3M product packaging or product literature (in which case such warranty governs), 3M warrants that each 3M product meets the applicable 3M product specification at the time 3M ships the product. 3M MAKES NO OTHER WARRANTIES OR CONDITIONS, EXPRESS OR IMPLIED, INCLUDING, BUT NOT LIMITED TO, ANY IMPLIED WARRANTY OR CONDITION OF MERCHANTABILITY, FITNESS FOR A PARTICULAR PURPOSE, OR ANY IMPLIED WARRANTY OR CONDITION ARISING OUT OF A COURSE OF DEALING, CUSTOM, OR USAGE OF TRADE. If a 3M product does not conform to this warranty, then the sole and exclusive remedy is, at 3M's option, replacement or repair of the 3M product or refund of the purchase price.

Limitation of Liability: Except for the limited remedy stated above, and except to the extent prohibited by applicable law, 3M will not be liable for any loss or damage arising from or related to the 3M product, whether direct, indirect, special, incidental, or consequential (including, but not limited to, lost profits or business opportunity), regardless of the legal or equitable theory asserted, including, but not limited to, warranty, contract, negligence, or strict liability.

Disclaimer: For industrial use only. Not intended, labeled or packaged for consumer sale or use.

3M Company
 Electronics Materials Solutions Division
 13011 McCallen Pass, Bldg. C
 Austin, TX 78753-5380
 1-800-225-5373
 www.3M.com/interconnect

3M IS A TRADEMARK OF 3M COMPANY.
 FOR TECHNICAL, SALES OR ORDERING
 INFORMATION CALL 800-225-5373

REV	ECO	ISSUE DATE AND DESCRIPTION	DRFT	CHKD
B	114975	MAR 15, 2024 REVISE NOTE 4 ADD 3M LOGO	JNC	DLD
A	0109486	MAY 16, 2023 WORK REQUEST 13376 INITIAL RELEASE	LDS	DLD
DRFT	DATE	MFG	DATE	
L SCHMIDT	MAR 14, 2023			
CHKD	DATE	APPL	DATE	
D DOYE	MAR 17, 2023			
DESIGN REFERENCE NEXT ASSEMBLY				
DIVISION DIVISION CODE				
DO NOT SCALE DRAWING				
TOLERANCES EXCEPT AS NOTED				
INCHES				
.00 ±				
.000 ±				
.0000 ±				
MILLIMETERS				
0 ± 1				
.0 ± .2				
.00 ± 0.10				
.000 ± .005				
INTERPRET PER ASME Y14.5 - 2018				
MAX SURFACE ROUGHNESS				
L SURFACES				
MARKED ONLY				
ANGLES ± 1°				
TITLE				
3M™ 400G DAC QSFP-DD, VW-1, HF BRAIDED SLEEVE				
CAGE NUMBER DRAWING NO. REV.				
D 78-5100-2785-3 B				
MODEL				
SHT 2 OF 2				

DRAWING NUMBER 78-5100-2785-3

REVISION B