

3M™ MINI STACK CONNECTOR, JUNCTION HEADER
3S8XX-OXXX SERIES

- NOTES
- REGULATORY INFORMATION:
VISIT 3M.com/regs
 - IN THE EVENT OF CONFLICT BETWEEN THIS DATA AND THAT CONTAINED IN THE PRODUCT SPECIFICATION, THE PRODUCT SPECIFICATION TAKES PRECEDENT.
 - REFERENCE PRODUCT SPECIFICATION PS-0428
 - SEE TECH SHEET TS-2725 FOR MATING SOCKETS.

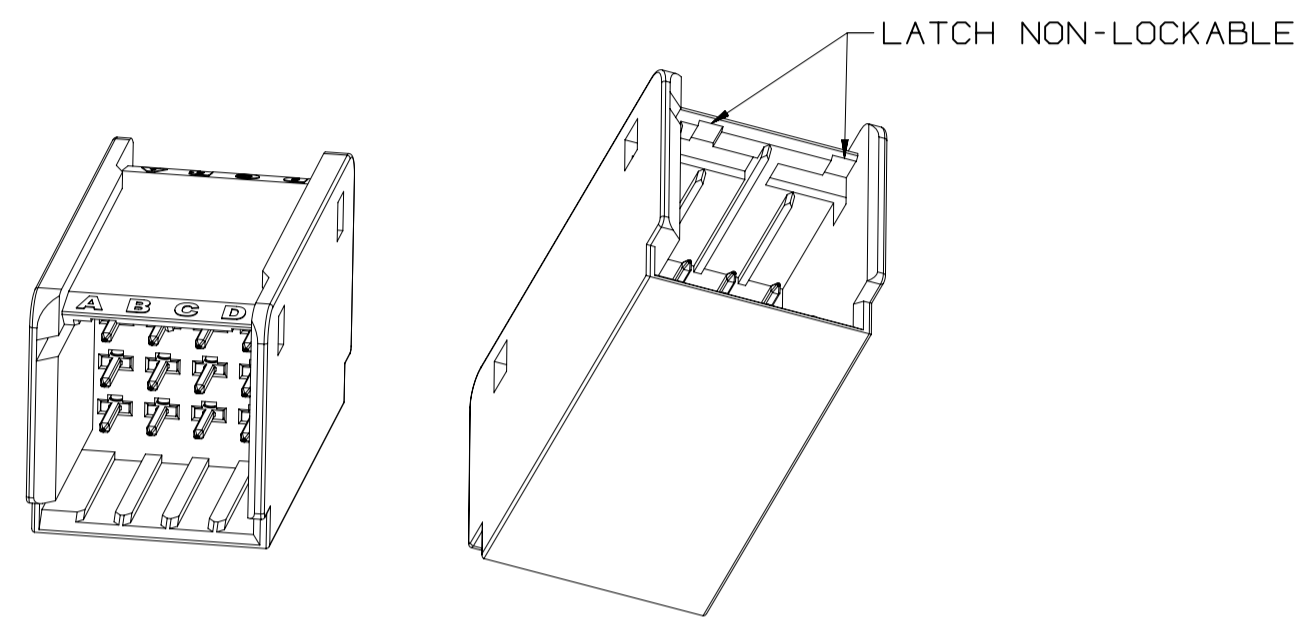
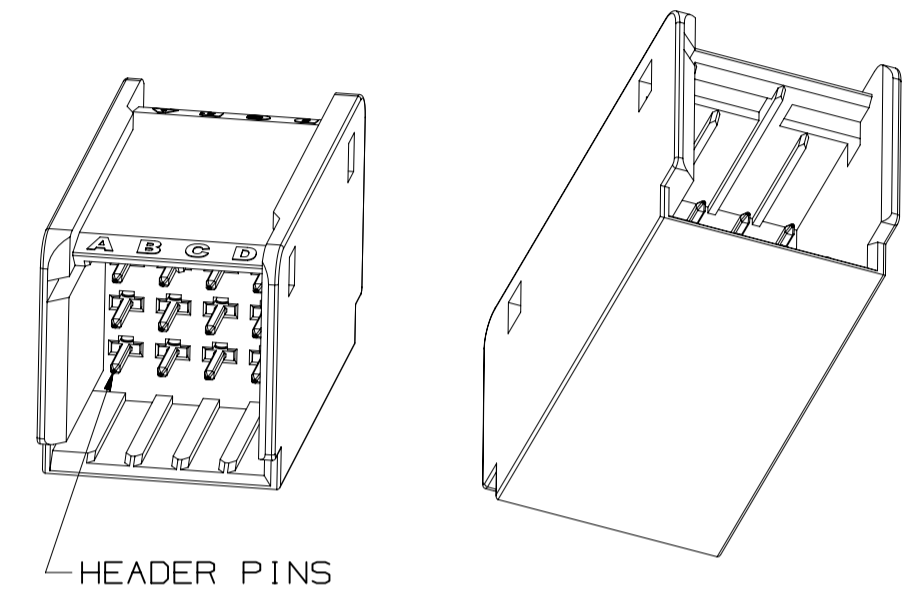
12 POSITION HEADER COMMON TYPE
3S812-OHC3-B00 PS

12 POSITION HEADER STACK TYPE
3S812-OHS3-B00 PS

- PHYSICAL :
- INSULATOR: PBT RESIN
 - MATERIAL: PBT RESIN
 - COLOR: BLACK
 - CONTACT: COPPER ALLOY
 - MATERIAL: COPPER ALLOY
 - PLATING: NICKEL OVERALL
 - UNDER PLATING: NICKEL OVERALL
 - WIPING AREA: GOLD

- ELECTRICAL :
- VOLTAGE: AC/DC: 32V MAX.
 - CURRENT: 2.0A MAX.

- ENVIRONMENTAL :
- TEMPERATURE: -20° C TO 85° C



16 POSITION HEADER COMMON TYPE
3S816-OHC4-B00 PS

16 POSITION HEADER STACK TYPE
3S816-OHS4-B00 PS

ORDERING INFORMATION

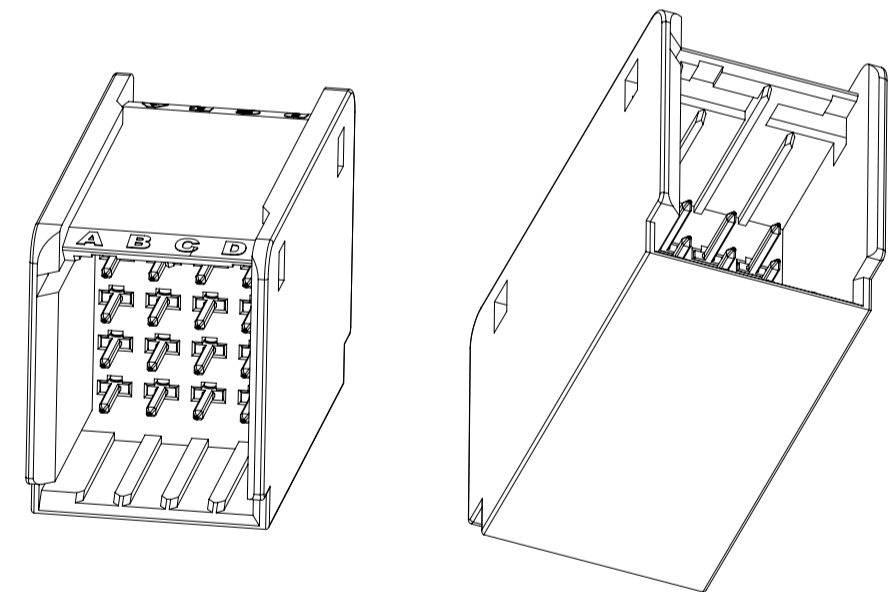
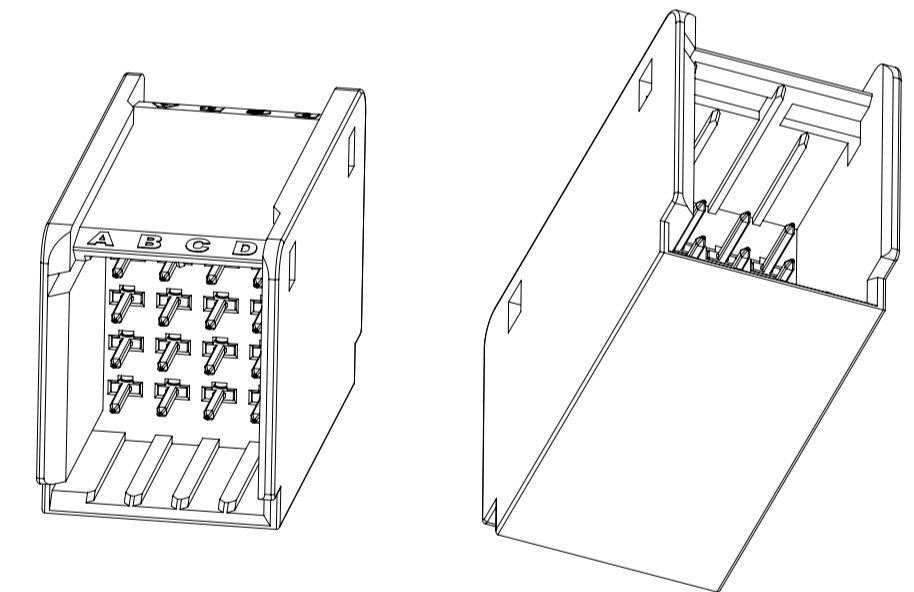
3S8XX-OXXX-B00 PS

CONTACT QUANTITY:
12 = 12 POSITIONS
16 = 16 POSITIONS

COMPATIBLE WIREMOUNT SOCKET:
3 = 3 POSITION WIREMOUNT CONNECTOR
4 = 4 POSITION WIREMOUNT CONNECTOR

CONNECTOR TYPE:
H = FREE HANGING TYPE
P = PANELMOUNT TYPE

BODY TYPE:
C = COMMON TYPE:
FOR WIRE MOUNT SOCKET
NON-STACK TYPE AND STACK TYPE
S = STACK TYPE:
OPTIMIZED FOR WIRE MOUNT SOCKET
STACK TYPE



3M ELECTRONICS MATERIALS SOLUTIONS DIVISION
INTERCONNECT SOLUTIONS
<http://www.3M.com/interconnect>

3M IS A TRADEMARK OF 3M COMPANY.
FOR TECHNICAL, SALES OR ORDERING
INFORMATION CALL 800-225-5373



UL FILE NO : E68080

DESIGN REFERENCE	NEXT ASSEMBLY	REV	ECO	ISSUE DATE AND DESCRIPTION	DRFT	CHKD
APPROVED	DATE	DATE	DATE	DATE		
CHKD	DATE	DATE	DATE	DATE		
DIVISION		DIVISION CODE		© 3M COPYRIGHT 2023 This document and the information it contains are 3M property and may not be reproduced or further distributed without 3M permission, or used or disclosed other than for 3M authorized purposes. All rights reserved.		
DO NOT SCALE DRAWING	SCALE FREE	TOLERANCES EXCEPT AS NOTED		INCHES .00 ± .000 ± .0000 ± MILLIMETERS 0 ±.2 .00 ±.013 .000 ±.005 ANGLES ±.1°		
THIRD ANGLE PROJECTION	INTERPRET PER ASME Y14.5-2018	MAX SURFACE ROUGHNESS		125 SURFACES MARKED ONLY		
TITLE		CAGE NUMBER		DRAWING NO.		REV.
MINI STACK CONNECTOR JUNCTION HEADER 3S8XX-OXXX-B00 PS		D 78-5100-2778-8		A		A
MODEL		DET		LISTS		YES X NO SHT 1 OF 5

78-5100-2778-8

3M™ MINI STACK CONNECTOR, JUNCTION HEADER
3S8XX-OXXX SERIES

- NOTES
- 1 REGULATORY INFORMATION:
VISIT 3M.com/regs
 - 2 IN THE EVENT OF CONFLICT BETWEEN THIS DATA AND THAT CONTAINED IN THE PRODUCT SPECIFICATION, THE PRODUCT SPECIFICATION TAKES PRECEDENT.
 - 3 REFERENCE PRODUCT SPECIFICATION PS-0428
 - 4 SEE TECH SHEET TS-2725 FOR MATING SOCKETS.

12 POSITION HEADER PANELMOUNT COMMON TYPE
3S812-0PC3-B00 PS

12 POSITION HEADER PANELMOUNT STACK TYPE
3S812-0PS3-B00 PS

2 PHYSICAL :

INSULATOR:
MATERIAL: PBT RESIN
COLOR: BLACK
CONTACT:
MATERIAL: COPPER ALLOY
PLATING:
UNDER PLATING: NICKEL OVERALL
WIPING AREA: GOLD

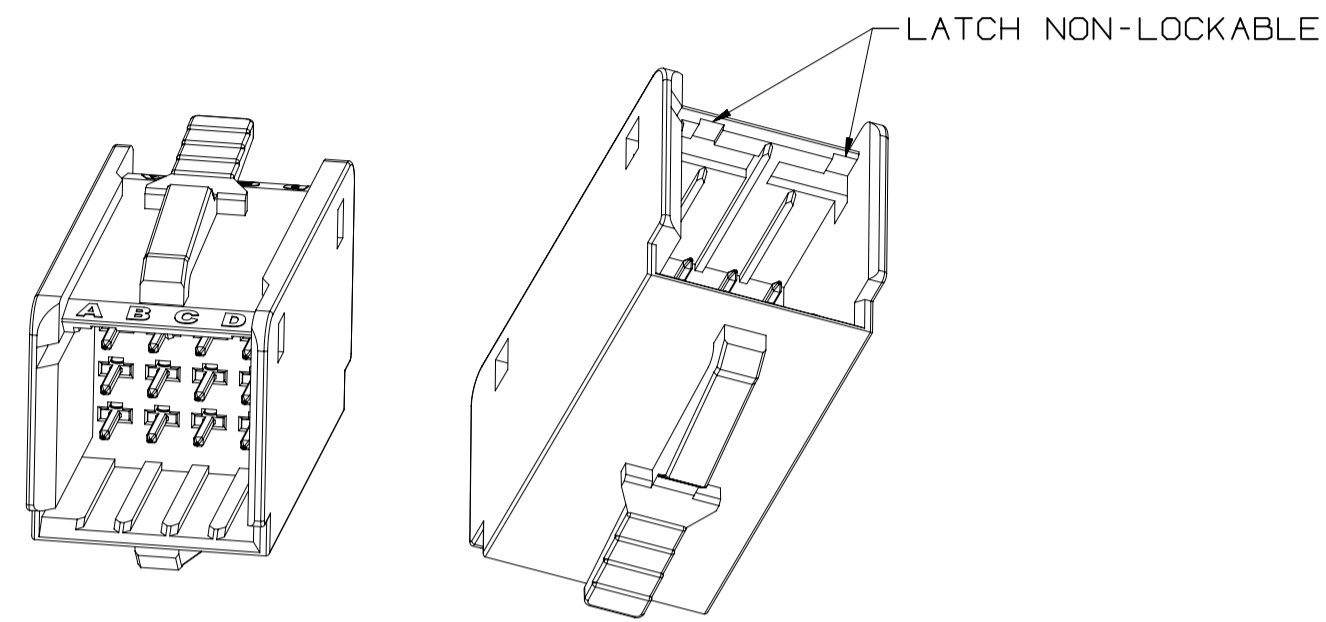
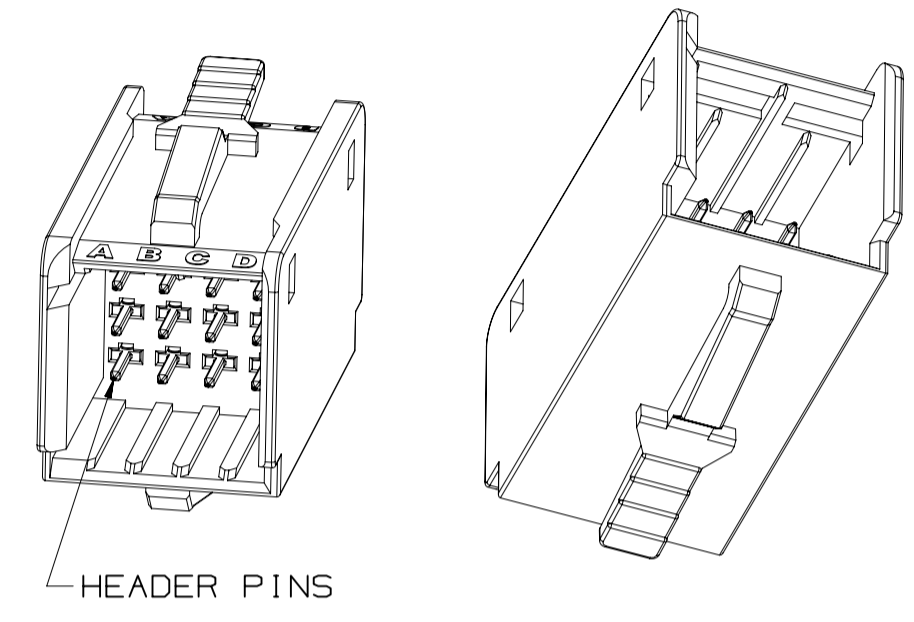
2 ELECTRICAL :

VOLTAGE: AC/DC: 32V MAX.
CURRENT: 2.0A MAX.

2 ENVIRONMENTAL :

TEMPERATURE: -20° C TO 85° C

PANEL ACCOMMODATION		
PANEL THICKNESS:	1.0 TO 2.0 mm (39 TO 79 mil)	SEE RECOMMENDED PANEL CUTOUT



16 POSITION HEADER PANELMOUNT COMMON TYPE
3S816-0PC4-B00 PS

16 POSITION HEADER PANELMOUNT STACK TYPE
3S816-0PS4-B00 PS

ORDERING INFORMATION

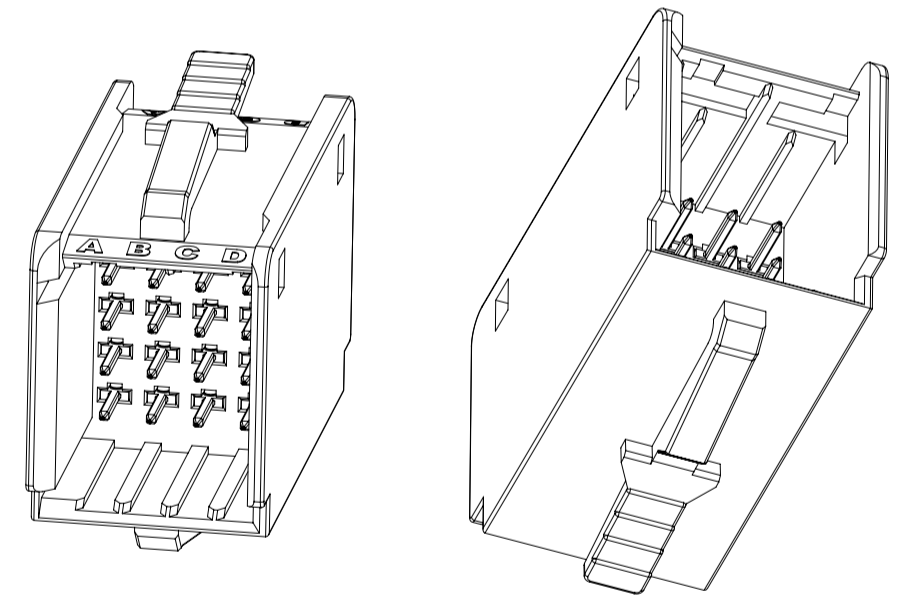
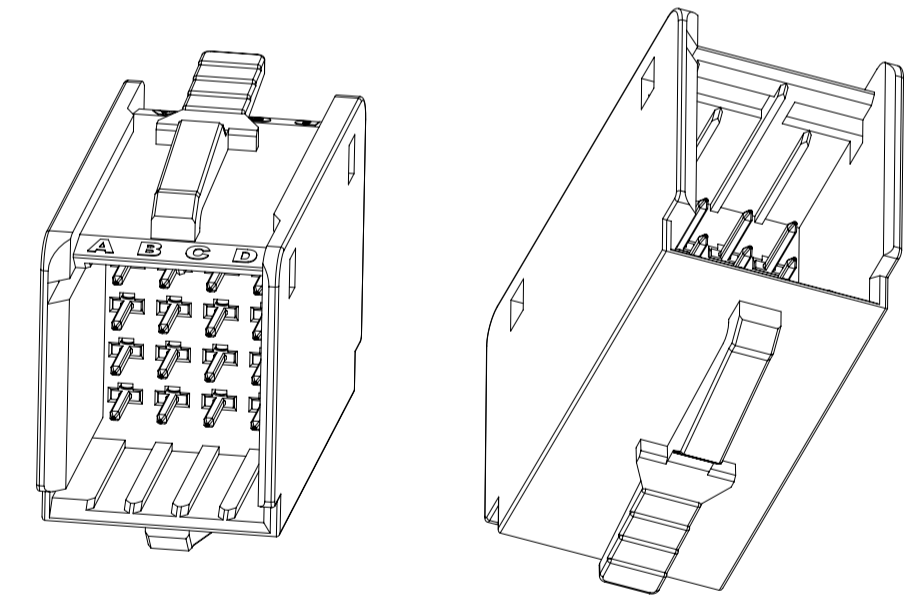
3S8XX-OXXX-B00 PS

CONTACT QUANTITY:
12 = 12 POSITIONS
16 = 16 POSITIONS

COMPATIBLE WIREMOUNT SOCKET:
3 = 3 POSITION WIREMOUNT CONNECTOR
4 = 4 POSITION WIREMOUNT CONNECTOR

CONNECTOR TYPE:
H = FREE HANGING TYPE
P = PANELMOUNT TYPE

BODY TYPE:
C = COMMON TYPE:
FOR WIRE MOUNT SOCKET
NON-STACK TYPE AND STACK TYPE
S = STACK TYPE:
OPTIMIZED FOR WIRE MOUNT SOCKET
STACK TYPE



3M ELECTRONICS MATERIALS SOLUTIONS DIVISION
INTERCONNECT SOLUTIONS
<http://www.3M.com/interconnect>

3M IS A TRADEMARK OF 3M COMPANY.
FOR TECHNICAL, SALES OR ORDERING
INFORMATION CALL 800-225-5373



UL FILE NO : E68080

DESIGN REFERENCE	NEXT ASSEMBLY	REV	ECO	ISSUE DATE AND DESCRIPTION	DRFT	CHKD
APPROVED		DATE	DATE	DATE		
CHKD		MAR 29, 2023	MAR 29, 2023	MAR 29, 2023		
		T HAYASHI	Y KAWATE			
DIVISION DIVISION CODE DO NOT SCALE DRAWING SCALE FREE TOLERANCES EXCEPT AS NOTED THIRD ANGLE PROJECTION INTERPRET PER ASME Y14.5-2018 MAX SURFACE ROUGHNESS 125 SURFACES MARKED ONLY INCHES .00 ± .000 ± .0000 ± MILLIMETERS 0 ± .2 ± .5 ± .000 ± .000 ± .005 ANGLES ± .1						
TITLE MINI STACK CONNECTOR JUNCTION HEADER 3S8XX-OXXX-B00 PS CAGE NUMBER D78-5100-2778-8 DRAWING NO. 78-5100-2778-8 REV. A MODEL DET. SHT 2 OF 5						

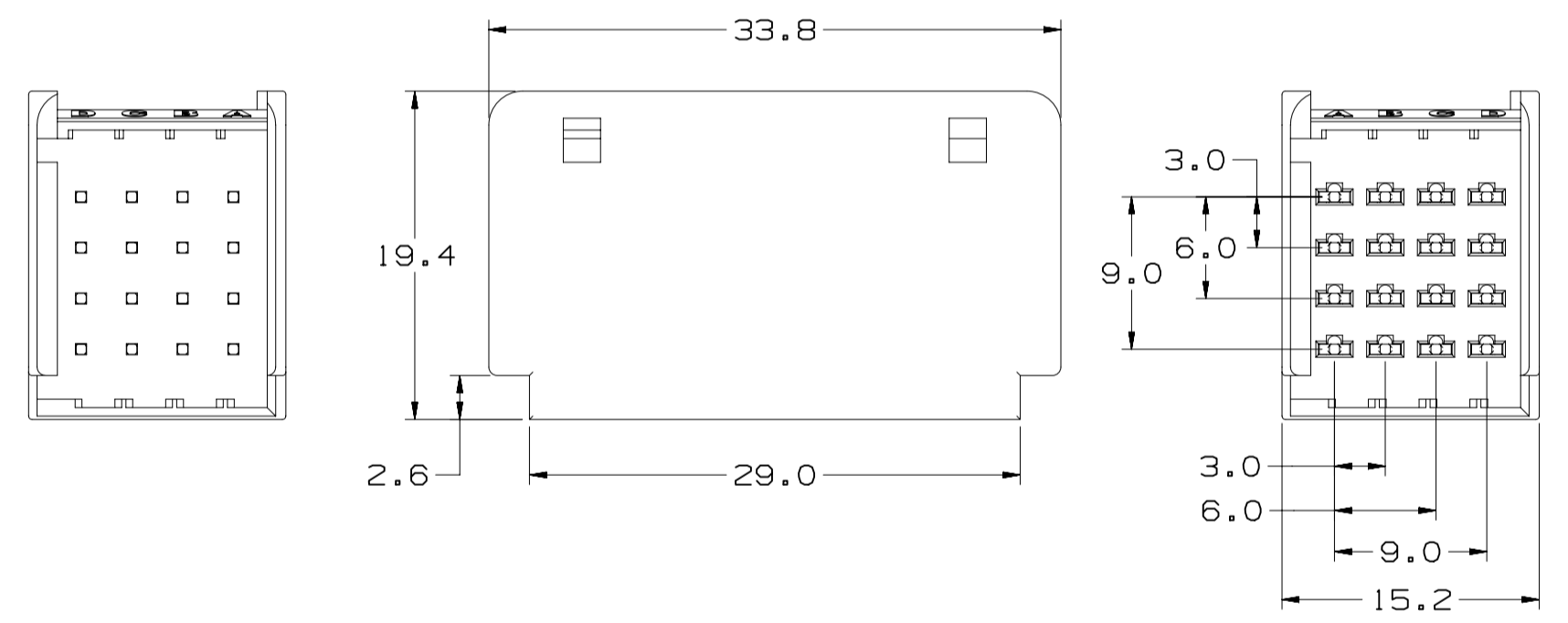
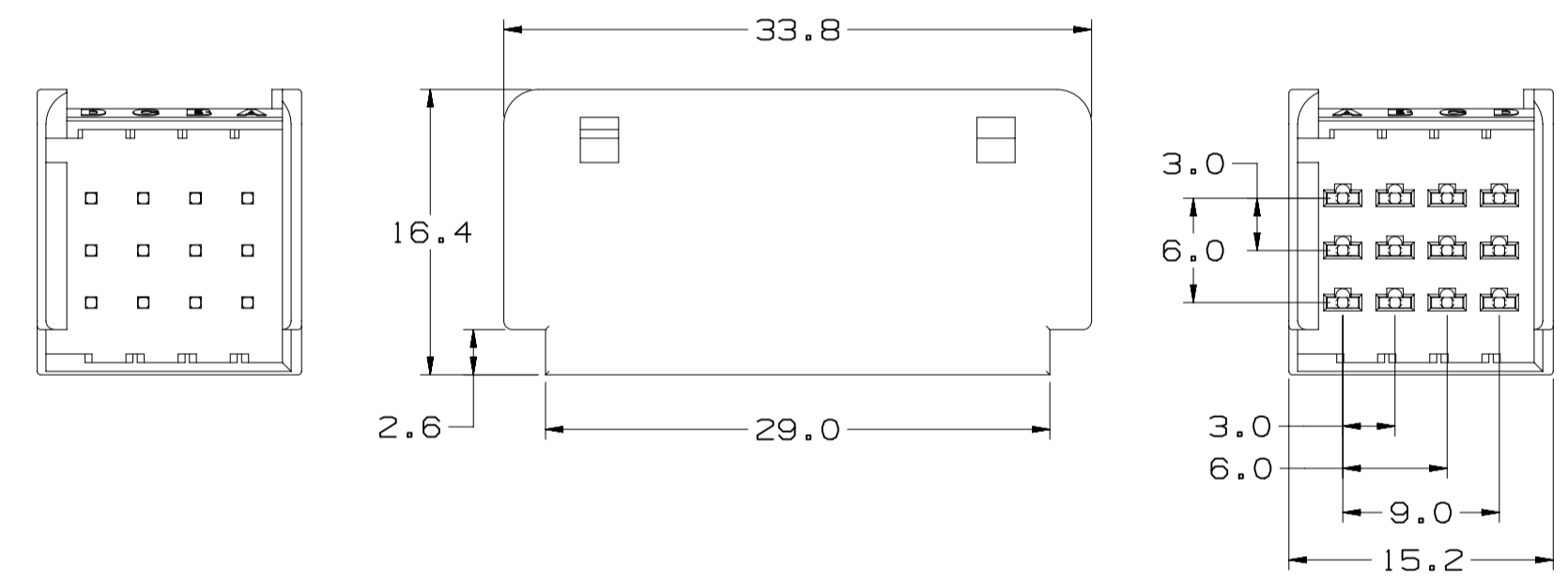
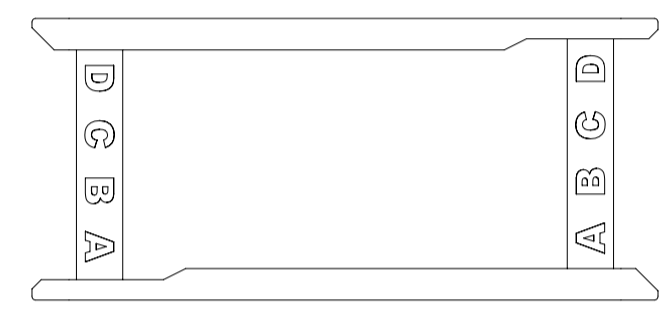
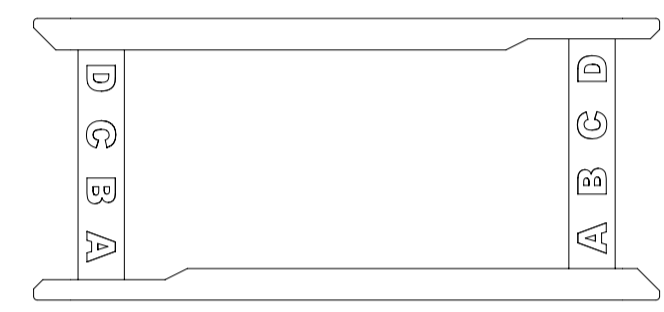
178-5100-2778-8
DRAWING NUMBER

A

3M™ MINI STACK CONNECTOR, JUNCTION HEADER
3S8XX-OXXX SERIES

12 POSITION HEADER
3S812-OHX3-B00 PS

16 POSITION HEADER
3S816-OHX4-B00 PS



UL FILE NO : E68080

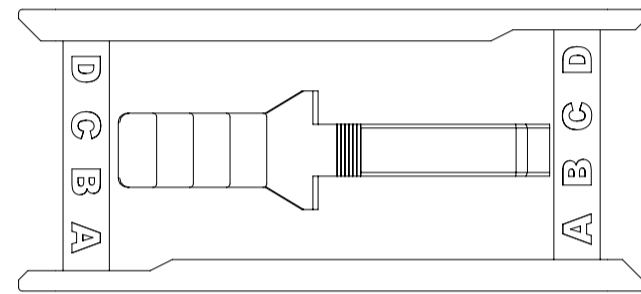
DESIGN REFERENCE	NEXT ASSEMBLY	REV	ECO	ISSUE DATE AND DESCRIPTION	DRFT	CHKD
				MAR 29, 2023		
DO NOT SCALE DRAWING	SCALE FREE	TOLERANCES EXCEPT AS NOTED				
THIRD ANGLE PROJECTION	INTERPRET PER ASME Y14.5 2018	INCHES	© 3M COPYR [GHT] 2023 This document and the information it contains are 3M property and may not be reproduced or further distributed without 3M permission, or used or disclosed other than for 3M authorized purposes. All rights reserved.			
MAX SURFACE ROUGHNESS 125	MARKED ONLY	MILLIMETERS	MINI STACK CONNECTOR JUNCTION HEADER 3S8XX-OXXX-B00 PS			
			CAGE NUMBER	SIZE	DRAWING NO.	REV.
			D	78-5100-2778-8	A	
			MODEL	DET	LISTS	YES <input type="checkbox"/> NO <input checked="" type="checkbox"/> SHT 3 OF 5

178-5100-2778-8
DRAWING NUMBER

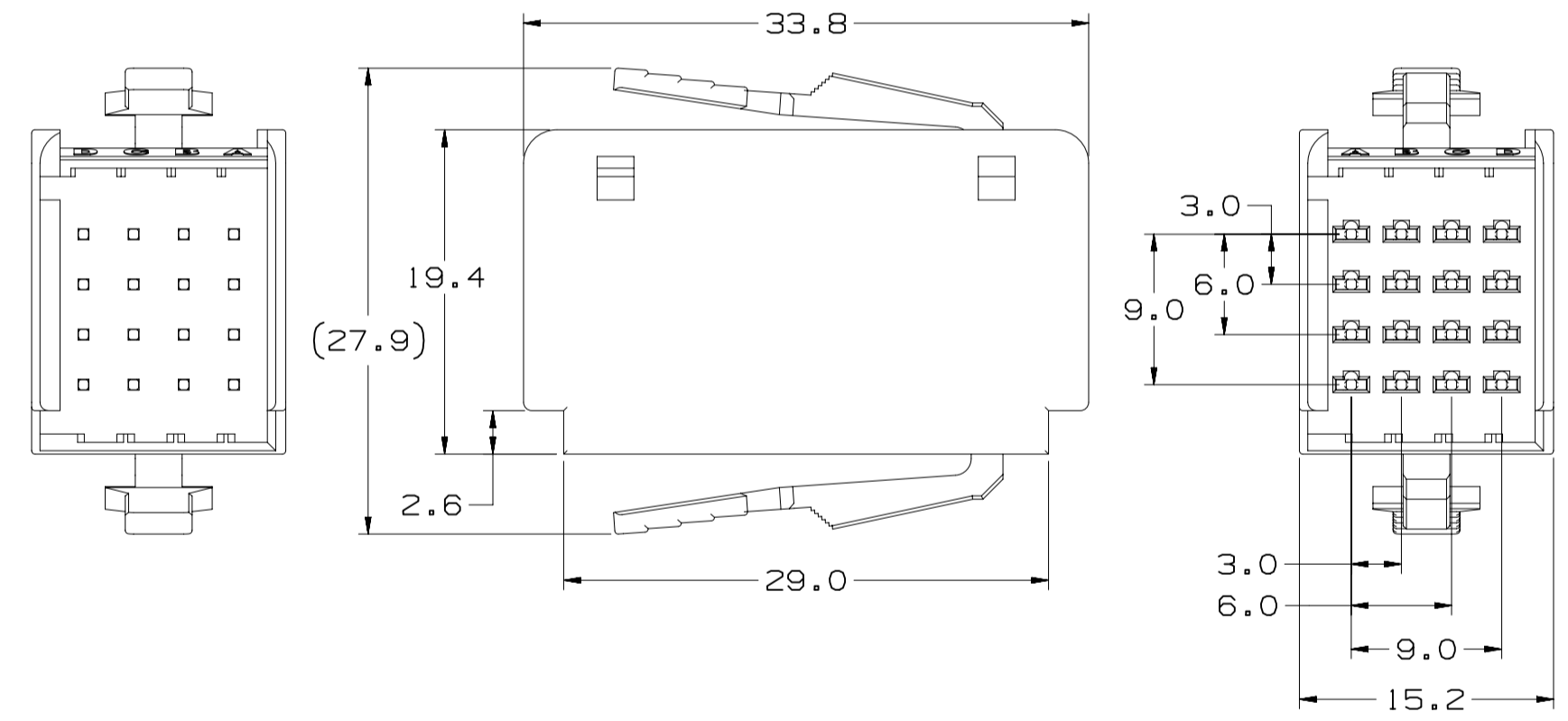
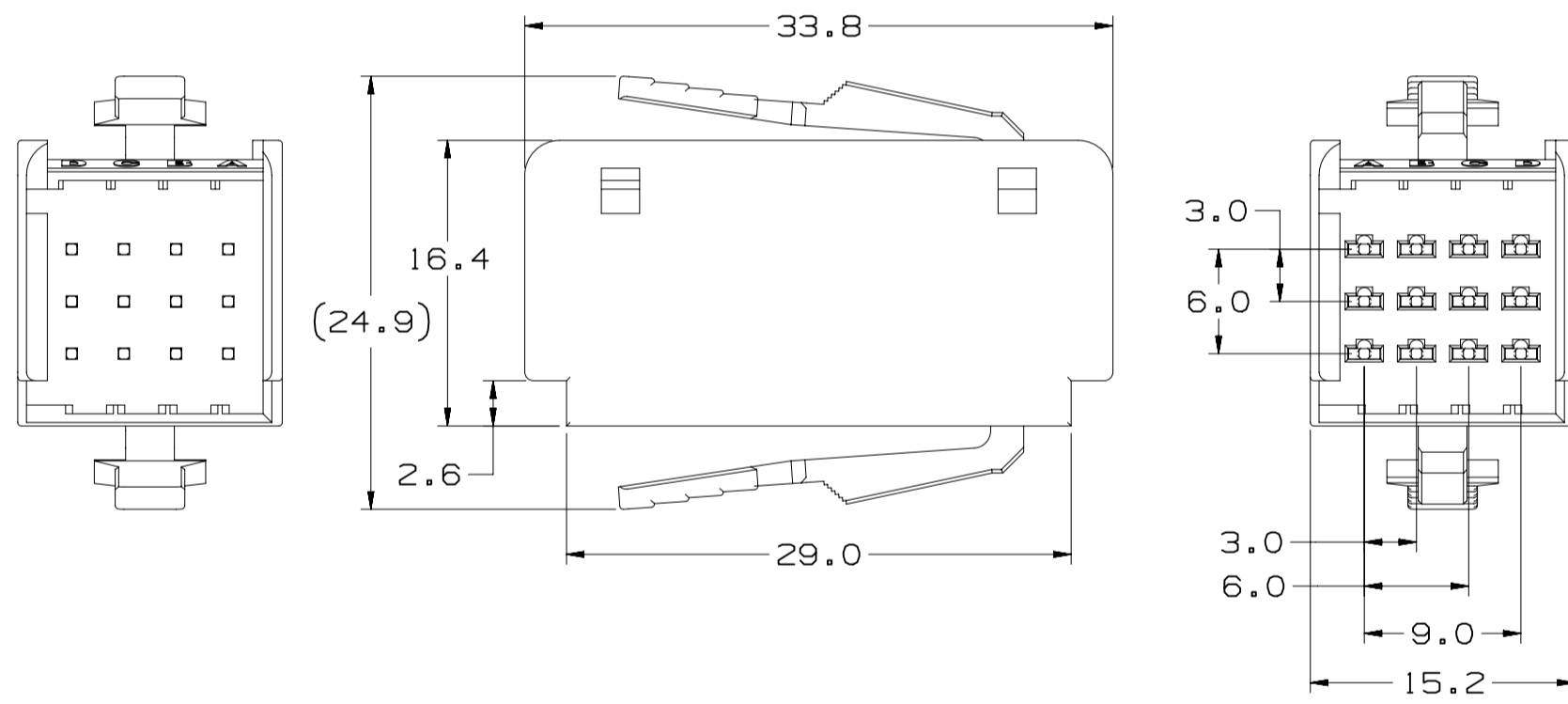
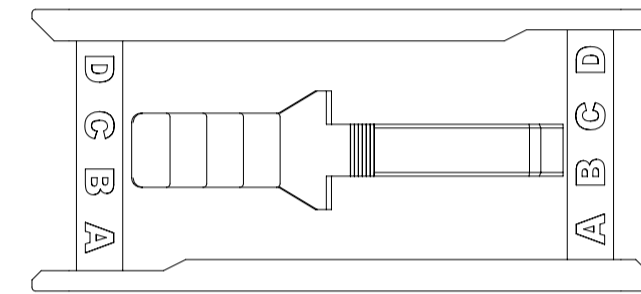
A

3M™ MINI STACK CONNECTOR, JUNCTION HEADER
3S8XX-OXXX SERIES

12 POSITION HEADER
3S812-OPX3-B00 PS



16 POSITION HEADER
3S816-OPX4-B00 PS



UL FILE NO : E68080

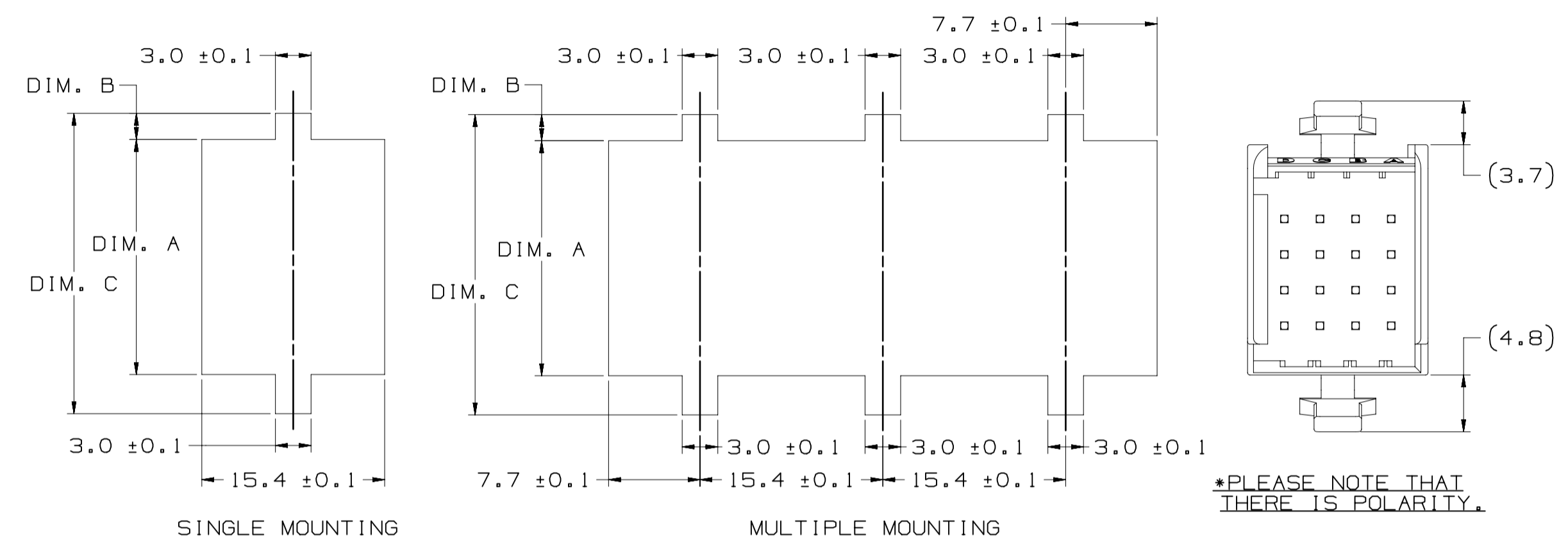
DESIGN REFERENCE	NEXT ASSEMBLY	REV	ECO	ISSUE DATE AND DESCRIPTION	DRFT	CHKD
APPROVED	DATE	DATE	DATE	DATE	DATE	DATE
M KOBAYASHI	MAR 29, 2023	MFG				
T HAYASHI	MAR 29, 2023	APPV	Y KAWATE			
DIVISION		DIVISION CODE		© 3M COPYRIGHT 2023 This document and the information it contains are 3M property and may not be reproduced or further distributed without 3M permission, or used or disclosed other than for 3M authorized purposes. All rights reserved.		
DO NOT SCALE DRAWING	SCALE FREE	TOLERANCES EXCEPT AS NOTED		TITLE MINI STACK CONNECTOR JUNCTION HEADER 3S8XX-OXXX-B00 PS		
THIRD ANGLE PROJECTION	INTERPRET PER ASME Y14.5-2018	INCHES .0 ± .00 .000 ± .000 .0000 ± .0000		CAGE NUMBER D 78-5100-2778-8		
MAX SURFACE ROUGHNESS 125	MARKED ONLY	MILLIMETERS 0 ± .2 .0 ± .05 .00 ± .013 .000 ± .005		MODEL DET: [] SHT 4 OF 5		

DRAWING NUMBER 78-5100-2778-8

REVISION A

3M™ MINI STACK CONNECTOR, JUNCTION HEADER
3S8XX-OXXX SERIES

PANEL CUTOUT
3S8XX-OPXX-B00 PS, PANELMOUNT TYPE



PRODUCT No.	3S812-OPX3-B00 PS			3S816-OPX4-B00 PS		
	1.00 AND 1.20	1.40 AND 1.60	2.00	1.00 AND 1.20	1.40 AND 1.60	2.00
PANEL THICKNESS	1.00 AND 1.20	1.40 AND 1.60	2.00	1.00 AND 1.20	1.40 AND 1.60	2.00
DIM. A	16.8 ±0.1	16.8 ±0.1	16.8 ±0.1	19.8 ±0.1	19.8 ±0.1	19.8 ±0.1
DIM. B	1.8 ±0.1	2.0 ±0.1	2.2 ±0.1	1.8 ±0.1	2.0 ±0.1	2.2 ±0.1
DIM. C	21.5 ±0.1	21.9 ±0.1	22.3 ±0.1	24.5 ±0.1	24.9 ±0.1	25.3 ±0.1

Regulatory: For regulatory information about this product, visit 3M.com/regs or contact your 3M representative.

Technical Information: The technical information, recommendations and other statements contained in this document are based upon tests or experience that 3M believes are reliable, but the accuracy or completeness of such information is not guaranteed.

Product Use: Many factors beyond 3M's control and uniquely within user's control can affect the use and performance of a 3M product in a particular application. Given the variety of factors that can affect the use and performance of a 3M product, user is solely responsible for evaluating the 3M product and determining whether it is fit for a particular purpose and suitable for user's method of application.

Warranty, Limited Remedy, and Disclaimer: Unless an additional warranty is specifically stated on the applicable 3M product packaging or product literature, 3M warrants that each 3M product meets the applicable 3M product specification at the time 3M ships the product. 3M MAKES NO OTHER WARRANTIES OR CONDITIONS, EXPRESS OR IMPLIED, INCLUDING, BUT NOT LIMITED TO, ANY IMPLIED WARRANTY OR CONDITION OF MERCHANTABILITY OR FITNESS FOR A PARTICULAR PURPOSE OR ANY IMPLIED WARRANTY OR CONDITION ARISING OUT OF A COURSE OF DEALING, CUSTOM OR USAGE OR TRADE. If the 3M product does not conform to this warranty, then the sole and exclusive remedy is, at 3M's option, replacement of the 3M product or refund of the purchase price.

Limitation of Liability: Except where prohibited by law, 3M will not be liable for any loss or damage arising from the 3M product, whether direct, indirect, special, incidental or consequential, regardless of the legal theory asserted, including warranty, contract, negligence or strict liability.

3M Company
Electronics Materials Solutions Division
13011 McCallen Pass, Bldg. C
Austin, TX 78753-5380
1-800-225-5373
www.3M.com/interconnect



UL FILE NO : E68080

DESIGN REFERENCE	NEXT ASSEMBLY	REV	ECO	ISSUE DATE AND DESCRIPTION	DRFT	CHKD
				A 107484 MAR 29, 2023 INITIAL RELEASE	MK	TH
APPROVED	DATE	DATE	DATE	DATE	DATE	DATE
CHKD M KOBAYASHI	MAR 29, 2023	APPRV T HAYASHI	MAR 29, 2023	MFG	MAR 29, 2023	
DIVISION	DIVISION CODE	© 3M COPYR [GHT] 2023 <small>This document and the information it contains are 3M property and may not be reproduced or further distributed without 3M permission, or used or disclosed other than for 3M authorized purposes. All rights reserved.</small>				
DO NOT SCALE DRAWING	SCALE FREE	TOLERANCES EXCEPT AS NOTED INCHES .00 ± .000 ± .0000 ± MILLIMETERS 0 ±.2 .00 ±.013 .000 ±.005 INTERPRET PER ASME Y14.5-2018 MAX SURFACE ROUGHNESS 125 μm SURFACES MARKED ONLY ANGLE ±1°				
THIRD ANGLE PROJECTION		TITLE MINI STACK CONNECTOR JUNCTION HEADER 3S8XX-OXXX-B00 PS CAGE NUMBER D78-5100-2778-8 SIZE DRAWING NO. REV. A MODEL DET. <input type="checkbox"/> YES <input checked="" type="checkbox"/> NO SHT 5 OF 5				