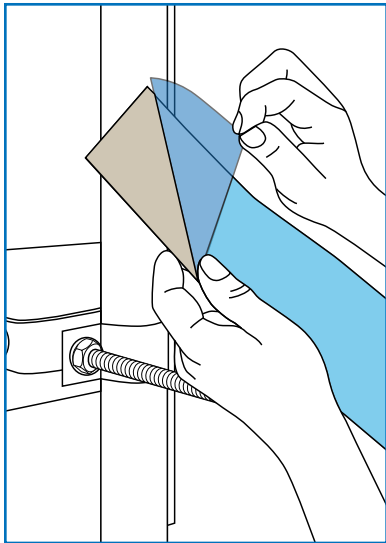
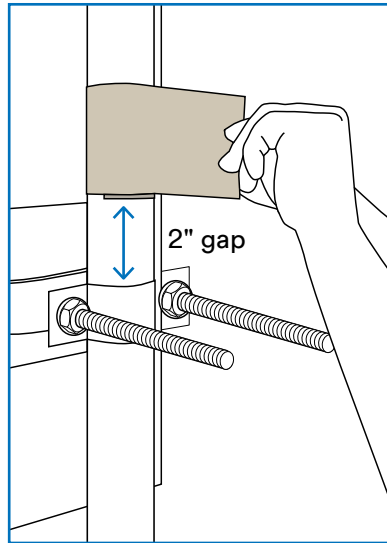


Installation Guide for 3M™ PIM Reduction Kit 1300

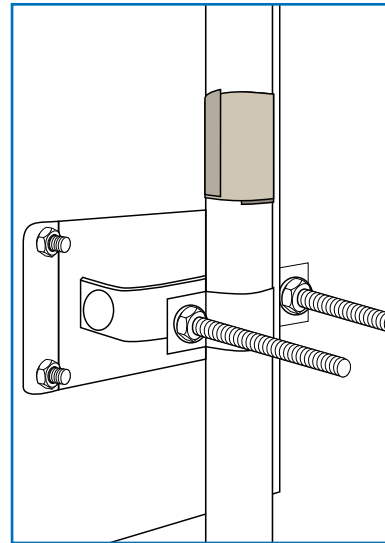
Installation procedure: Ensure surface is clean, dry and free of debris or anything that may prohibit intimate contact between the surface, absorber and tapes. For long-term reliability and environmental protection, use a robust weatherproofing tape such as 3M™ Scotch® Linerless Rubber Splicing Tape 130C.



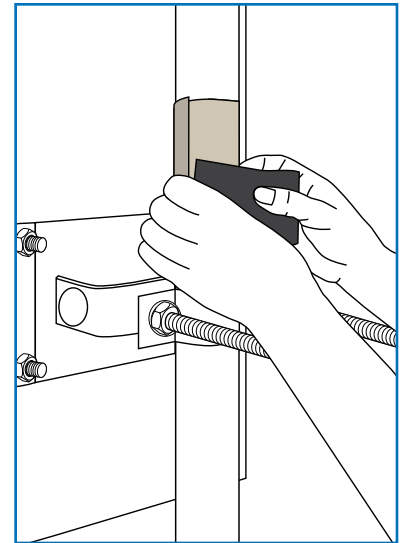
- 1** Expose adhesive surface by removing liner for the 3M™ External PIM Absorber 1000.



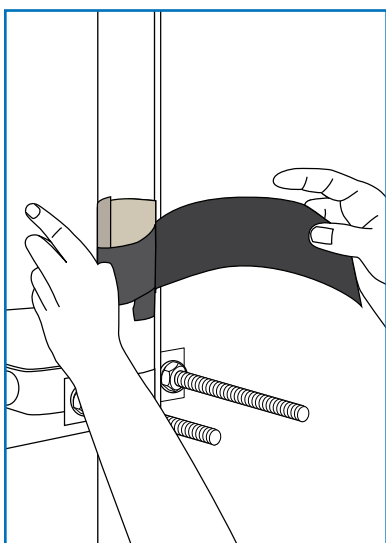
- 2** Adhere one end of the absorber stripe to the pole and wrap the absorber around the surface.



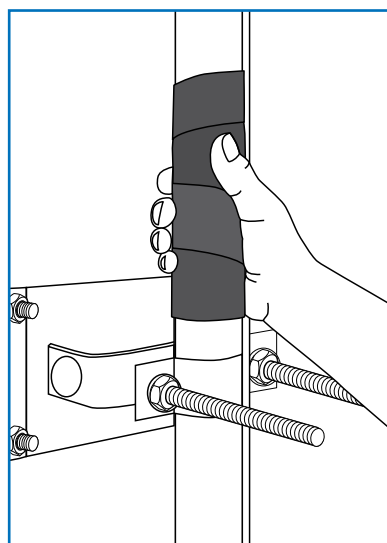
- 3** Overlap the extra material.



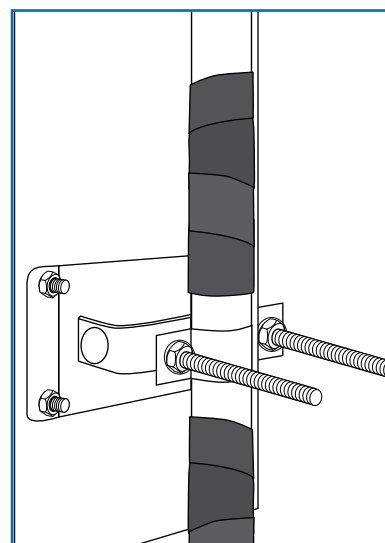
- 4** Apply 3M™ Scotch® Linerless Rubber Splicing Tape 130C 1" beyond absorber. Wrap from bottom to top.



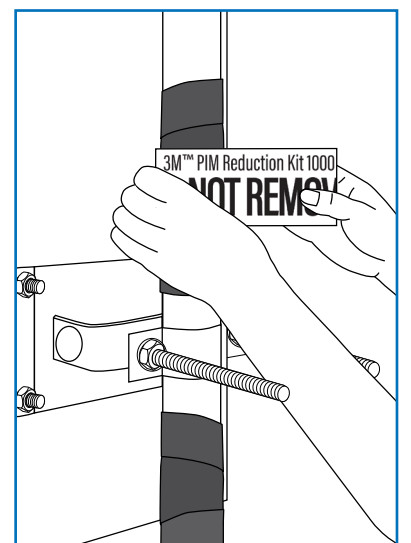
- 5** Wrap the tape with 1/2" overlap and use minimal tension.



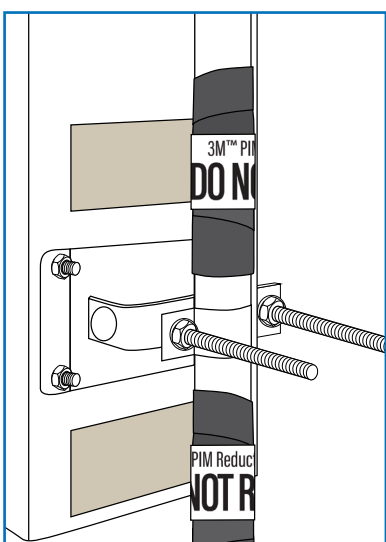
- 6** Compress the tape by hand.



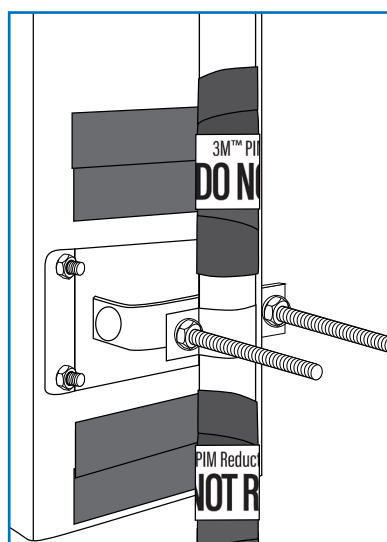
- 7** Repeat steps 1-6 below the bracket.



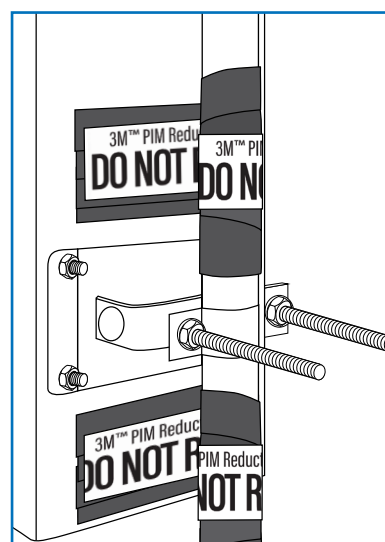
- 8** Apply "Do Not Remove" label around the previously installed tapes and place additional labels as desired.



- 9** Remove absorber liner and apply above and below bracket attachment location, allow 2" gap.



- 10** Apply 3M™ Scotch® Tape 130C with no stretch, apply 1" beyond absorber. Proceed from bottom to top.



- 11** Apply "Do Not Remove" labels.

Regulatory: For regulatory information about this product, contact your 3M representative.

Technical Information: The technical information, recommendations and other statements contained in this document are based upon tests or experience that 3M believes are reliable, but the accuracy or completeness of such information is not guaranteed.

Product Use: Many factors beyond 3M's control and uniquely within user's control can affect the use and performance of a 3M product in a particular application. Given the variety of factors that can affect the use and performance of a 3M product, user is solely responsible for evaluating the 3M product and determining whether it is fit for a particular purpose and suitable for user's method of application.

Warranty, Limited Remedy, and Disclaimer: Unless an additional warranty is specifically stated on the applicable 3M product packaging or product literature, 3M warrants that each 3M product meets the applicable 3M product specification at the time 3M ships the product. **3M MAKES NO OTHER WARRANTIES OR CONDITIONS, EXPRESS OR IMPLIED, INCLUDING, BUT NOT LIMITED TO, ANY IMPLIED WARRANTY OR CONDITION OF MERCHANTABILITY OR FITNESS FOR A PARTICULAR PURPOSE OR ANY IMPLIED WARRANTY OR CONDITION ARISING OUT OF A COURSE OF DEALING, CUSTOM OR USAGE OR TRADE.** If the 3M product does not conform to this warranty, then the sole and exclusive remedy is, at 3M's option, replacement of the 3M product or refund of the purchase price.

Limitation of Liability: Except where prohibited by law, 3M will not be liable for any loss or damage arising from the 3M product, whether direct, indirect, special, incidental or consequential, regardless of the legal theory asserted, including warranty, contract, negligence or strict liability.



Electronics Materials Solutions Division
3M Center, Building 223-3S-32
St. Paul, MN 55144-1000

Phone 1-800-251-8634
3M.com/pimreduction

3M and Scotch are trademarks of 3M.
Used under license by 3M subsidiaries and affiliates.
Please recycle. Printed in USA.
©3M 2022. All rights reserved.
Issued: 11/2022 16785HB
60-5005-0385-3