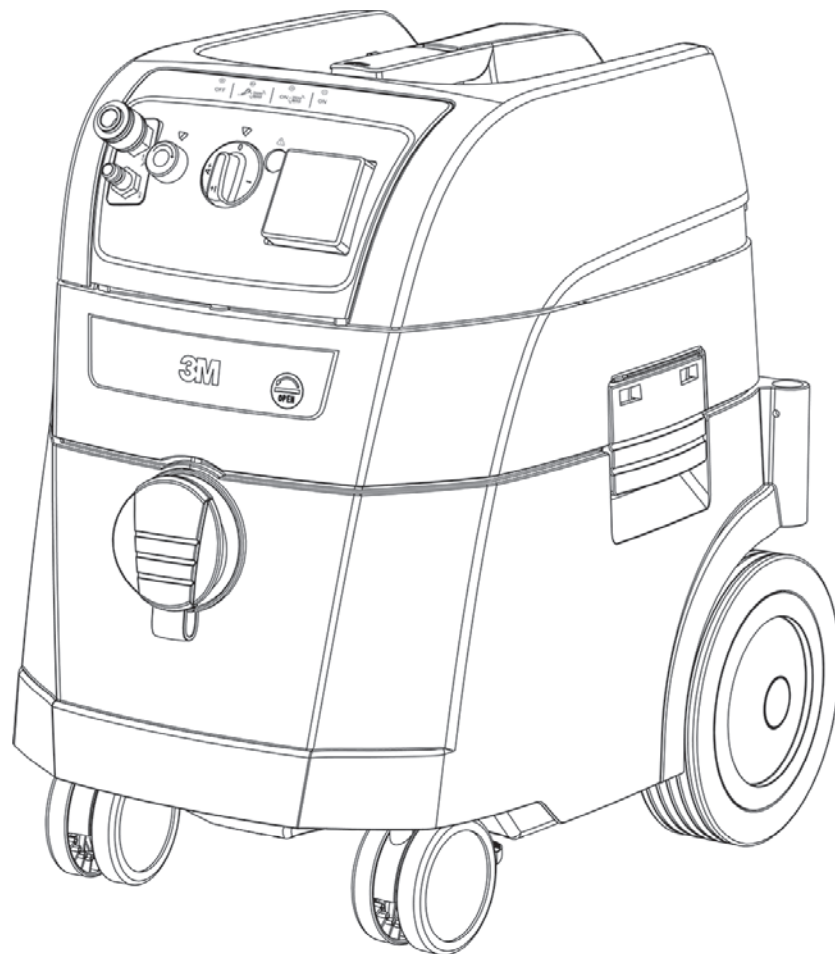


3M

Xtract™

Clean Sanding Solutions

64256



en User Manual
fr Manuel d'utilisation



IMPORTANT SAFETY INSTRUCTIONS

READ ALL INSTRUCTIONS BEFORE USING THIS PORTABLE DUST EXTRACTOR

WARNING

To reduce the risk of fire, electric shock, or injury:

- Do not leave appliance when plugged in. Unplug from outlet when not in use and before servicing.
- Do not use outdoors or on wet surfaces.
- Do not allow to be used as a toy. Close attention is necessary when used by or near children.
- Use only as described in this manual. Use only manufacturer's recommended attachments.
- Do not use with damaged cord or plug. If appliance is not working as it should, has been dropped, damaged, left outdoors, or dropped into water, return it to a service center.
- Do not pull or carry by cord, use cord as a handle, close a door on cord, or pull cord around sharp edges or corners. Do not run appliance over cord. Keep cord away from heated surfaces.
- Do not unplug by pulling on cord. To unplug, grasp the plug, not the cord.
- Do not handle plug or appliance with wet hands.
- Do not put any object into openings. Do not use with any opening blocked; keep free of dust, lint, hair, and anything that may reduce air flow.
- Keep hair, loose clothing, fingers, and all parts of body away from openings and moving parts.
- Turn off all controls before unplugging.
- Use extra care when cleaning on stairs.
- Do not use to pick up flammable or combustible liquids, such as gasoline, or use in areas where they may be present.
- Connect to a properly grounded outlet only. See Grounding Instructions.
- Do not pick up anything that is burning or smoking, such as cigarettes, matches, or hot ashes.
- Do not use without dust bag and/or filters in place.
- To reduce risk of electric shock – please unplug before cleaning or servicing.

For further safety instructions please see section General Dust Extractor Safety Warnings beginning on page 10.

SAVE THESE INSTRUCTIONS

IMPORTANTES MESURES DE SÉCURITÉ

LIRE TOUTES LES INSTRUCTIONS AVANT D'UTILISER CET EXTRACTEUR DE POUSSIÈRE MOBILE

AVERTISSEMENT

Pour réduire le risque d'incendie, de choc électrique ou de blessure:

- Ne pas laisser l'appareil sans surveillance lorsqu'il est branché. Le débrancher lorsqu'il n'est pas utilisé et avant le dépannage.
- Ne pas utiliser à l'extérieur ou ne pas aspirer de déchets humides.
- Ne pas laisser les enfants jouer avec l'appareil ou s'en servir sans surveillance. Redoubler d'attention s'il y a des enfants à proximité lorsqu'on utilise l'appareil.
- Utiliser l'appareil en respectant les consignes de cette notice d'emploi et n'utiliser que les accessoires recommandés par le fabricant.
- Ne pas utiliser l'appareil si le cordon ou la fiche est endommagé. Retourner l'appareil à un atelier de réparation s'il ne fonctionne pas normalement, s'il a été échappé, s'il est endommagé, s'il a été oublié à l'extérieur ou immergé.
- Le cordon ne doit pas être utilisé comme une poignée ou pour tirer, traîner ou soulever l'appareil. Ne pas faire passer l'appareil sur le cordon; ne pas coincer le cordon dans l'embrasure en refermant les portes ni tirer dessus à l'angle d'un mur ou d'une autre arête vive et le tenir à distance des surfaces chaudes.
- Ne pas tirer sur le cordon pour débrancher l'appareil; tirer plutôt sur la fiche.
- Ne pas toucher la fiche du cordon ou l'appareil avec les mains humides.
- Ne pas insérer d'objet dans une ouverture quelconque de l'appareil. Ne pas utiliser l'appareil lorsqu'une ouverture est bloquée et enlever la poussière, la peluche, les cheveux, etc., qui peuvent gêner le débit d'air.
- Veiller à bien se garder – doigts, cheveux, vêtements amples – à distance des ouvertures et des pièces mobiles.
- Mettre toutes les commandes en position d'arrêt avant de débrancher l'appareil.
- Redoubler d'attention en nettoyant les escaliers.
- Ne pas se servir de l'appareil pour aspirer des liquides combustibles ou inflammables comme de l'essence ou dans un endroit où il peut y avoir de tels liquides.
- Ne pas aspirer de matières en combustion ou qui dégagent de la fumée, comme des cigarettes, des allumettes ou des cendres chaudes.
- Ne pas utiliser l'appareil sans filtre ou sans sac à poussière.
- Pour réduire le risque de choc électrique, débrancher l'appareil avant le nettoyage ou le dépannage.

Pour plus d'instructions de sécurité, veuillez consulter la section "Mises en garde générales de sécurité relatives à l'extracteur de poussière" sur la page 18.

CONSERVER CES INSTRUCTIONS

English 10

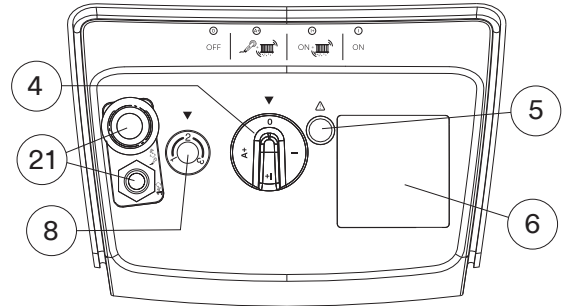
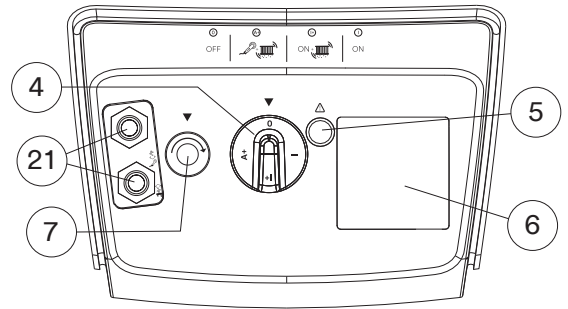
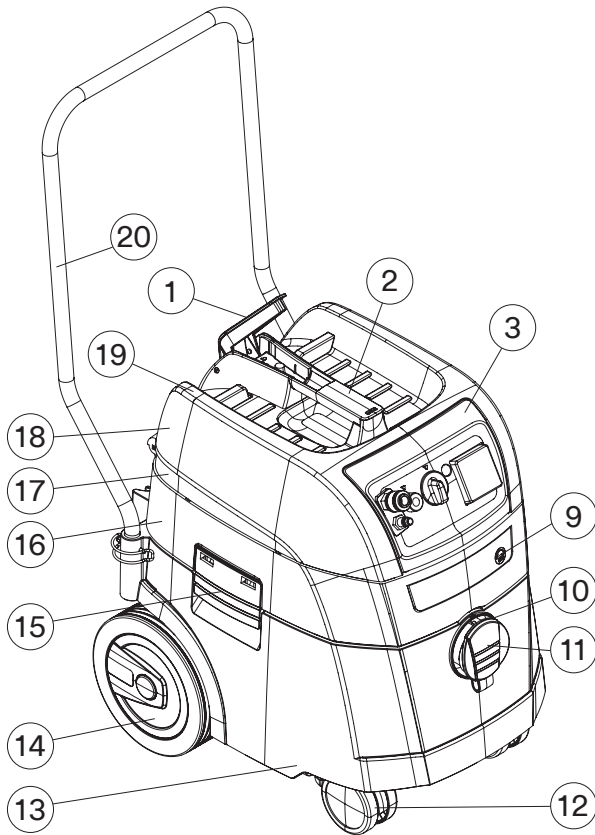
Français québécois 18



..... 26

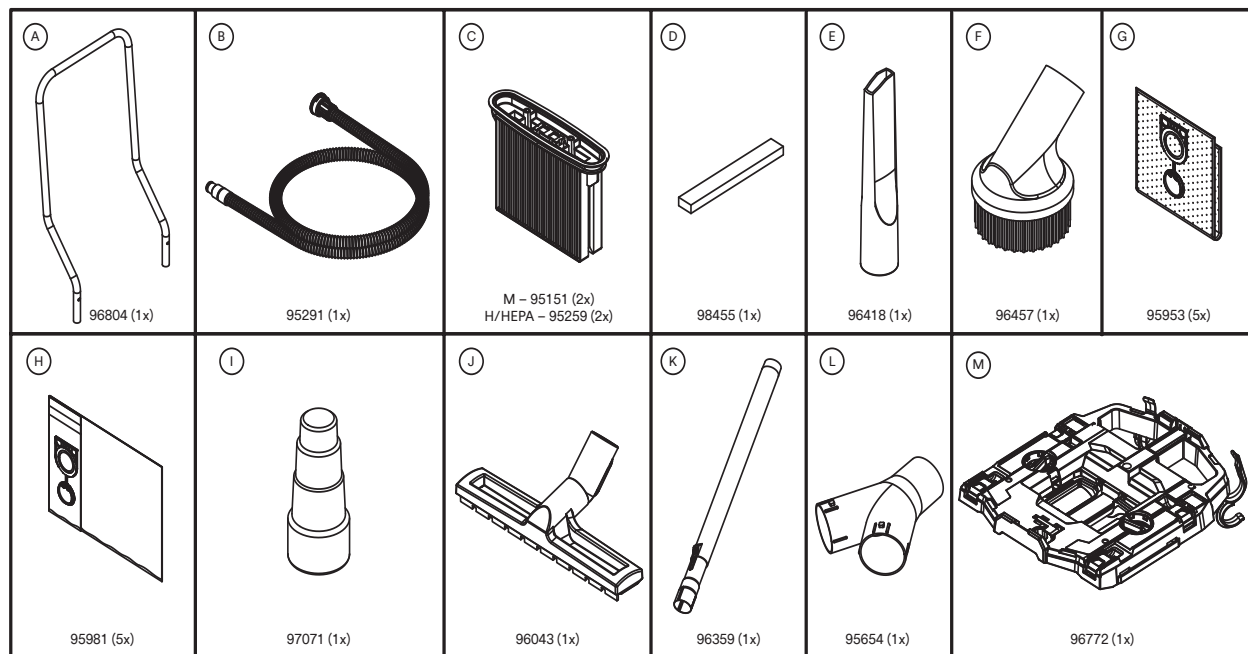


..... 26

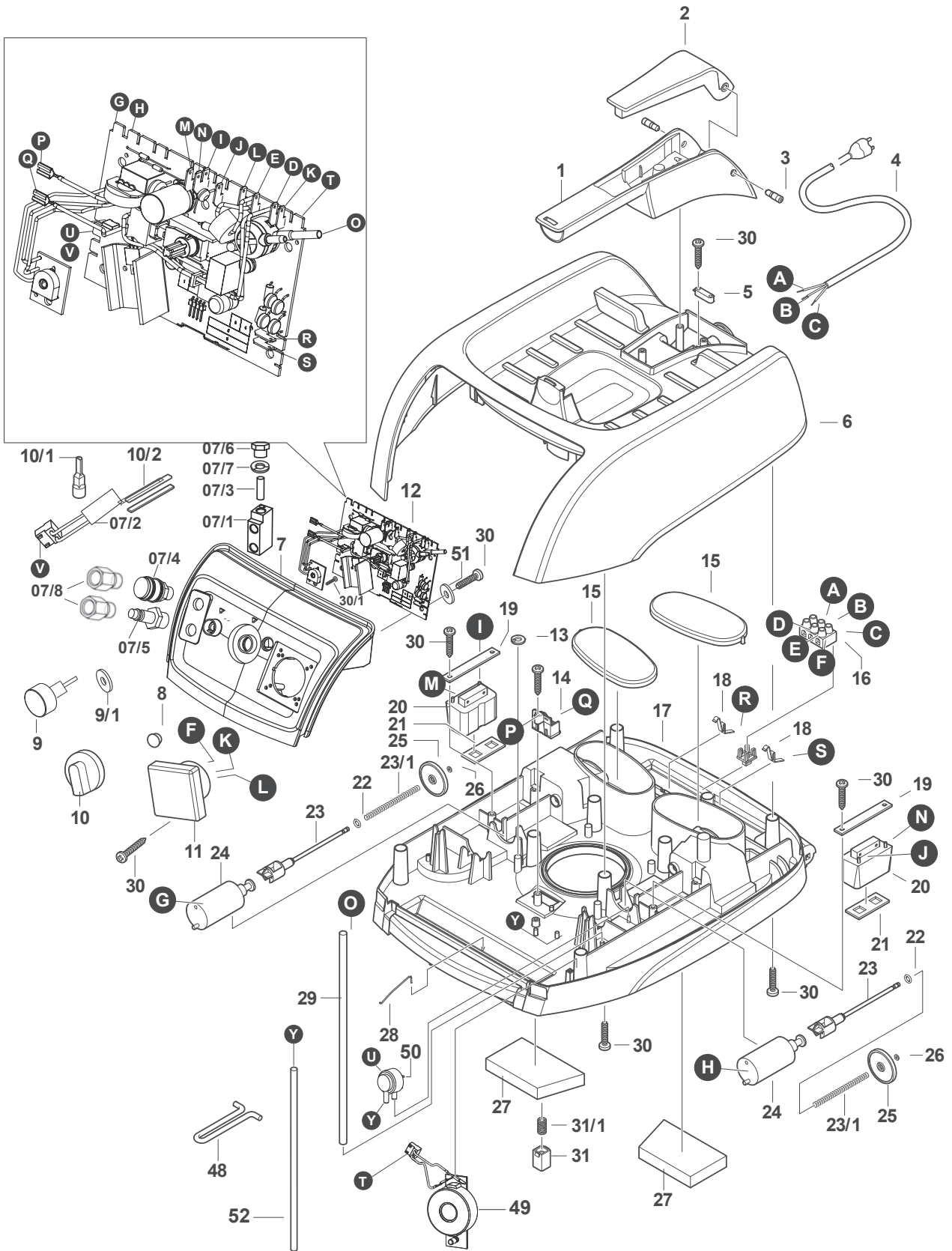


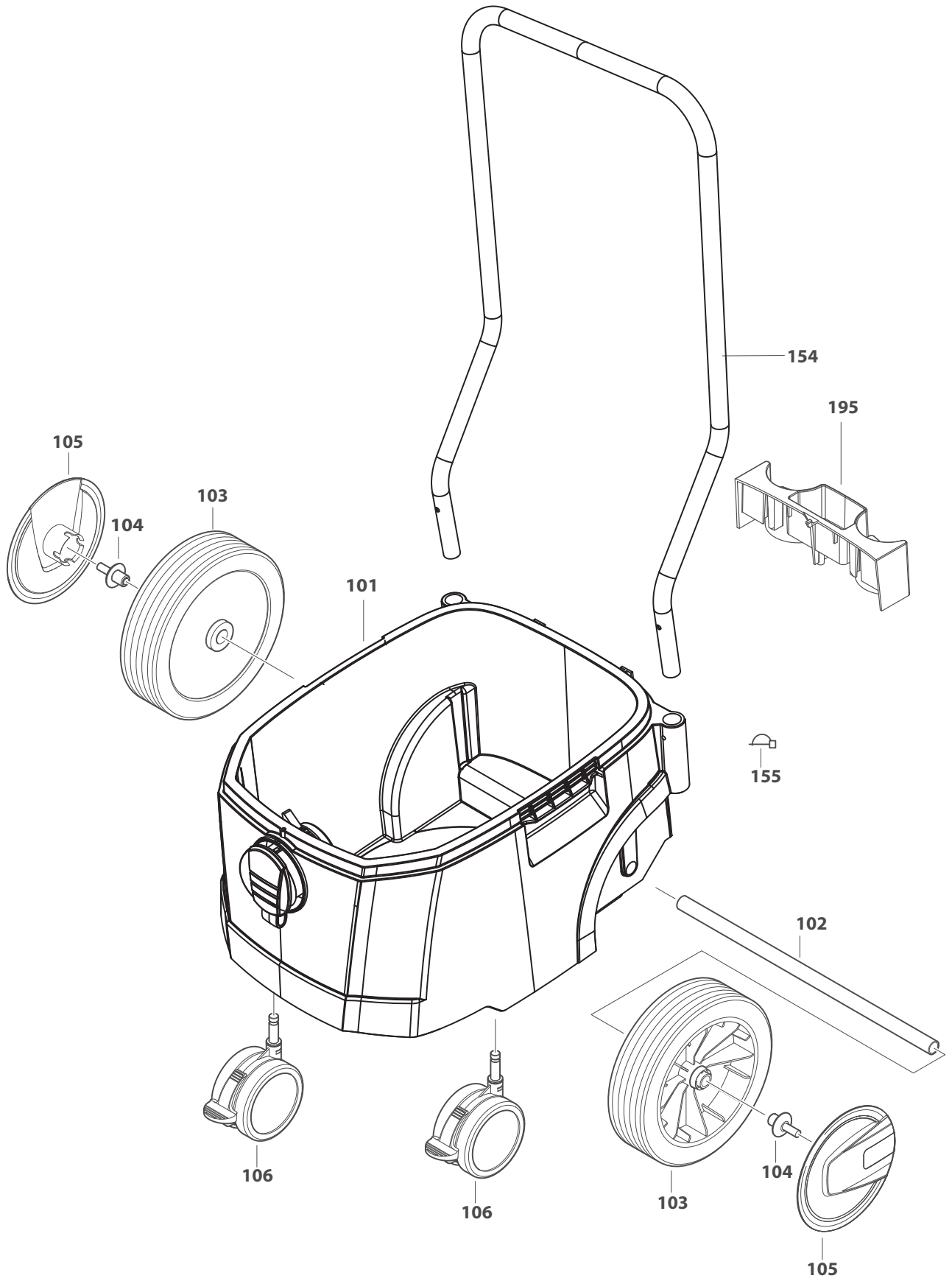
en Description							
1	Cable hook	7	Speed control *	13	Container	19	Mounting rail for tool box *
2	Handle	8	Adjustment of the vacuum hose diameter *	14	Wheel	20	Push handle
3	Switch plate	9	Lock	15	Latch	21	Pneumatic connectors
4	Rotary switch *	10	Intake socket	16	Motor housing	* depending on the equipment variant	
5	Fill level indicator *	11	Rotary slide inside	17	Support plate		
6	Plug socket	12	Castor	18	Cover		

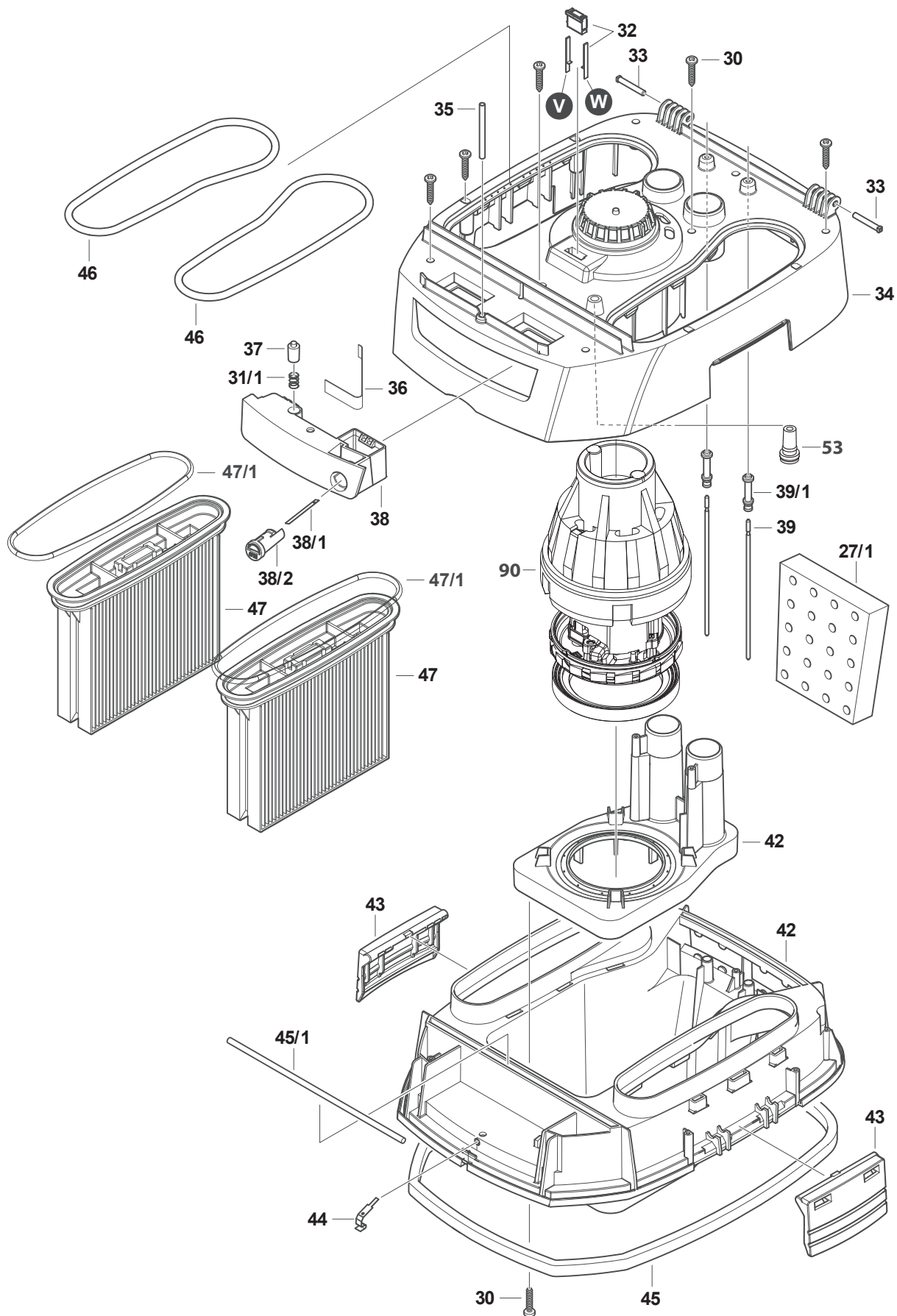
fr Description							
1	Crochet de câble	7	Contrôle de vitesse*	13	Bac	19	Rail de montage pour la boîte à outils*
2	Poignée	8	Réglage du diamètre du tuyau d'aspiration et de la vitesse du moteur*	14	Roue	20	Poignée de poussée
3	Plaque des commutateurs	9	Verrouillage	15	Loquet	21	Connecteurs pneumatiques
4	Sélecteur rotatif*	10	Prise d'admission	16	Logement du moteur	* en fonction des caractéristiques de l'équipement	
5	Niveau de remplissage*	11	Glissière rotative à l'intérieur	17	Plaque de soutien		
6	Prise de courant	12	Roulette	18	Couvercle		




en	Accessories	fr	Accessoires
A.	Push handle	A.	Poignée de poussée
B.	Suction hose	B.	Tuyau d'aspiration
C.	Folded filter cartridges	C.	Cassettes filtrantes pliées
D.	Motor protection	D.	Protection du moteur
E.	Crevice nozzle	E.	Suceur plat
F.	Brush	F.	Brosse
G.	Fleece filter bag	G.	Sac filtrant en feutre
H.	PE emptying and disposal bag	H.	Sac d'élimination et de vidage de PE
I.	Connecting sleeve stepped	I.	Manchon de liaison renforcé
J.	Floor Nozzle	J.	Buse de sol
K.	Telescopic Pipe	K.	Tuyau Télescopique
L.	Y Hose Adaptor	L.	Adaptateur de tuyau Y
M.	Adapter Plate	M.	Plaque d'adaptation







#			 A: 3M Portable Dust Extractor 64159 / B: 3M Portable Dust Extractor 64193 / C: 3M Portable Dust Extractor 64256
01+02+03		97156	A-C
04+05+16+30		97228	A
04+05+16+30		97248	B
04+05+16+30		97354	C
06		97516	A-C
07+08		97543	A-C
09+10+9/1+ 10/1+10/2		97664	A-C
07/1+07/2+07/3+07/6+07/7		97669	A-C
07/4+07/5		97756	A+B
07/8		97961	C
11+30		98024	A
11+30		98076	B
11+30		98118	C
12+29+30+30/1+ 50+51+52		98121	C
12+29+30+30/1+ 50+51+52		98249	A+B
14		98282	A-C
15+22+23+23/1+25+26		98303	A-C
17		98311	A-C
18+28+44		98328	A-C
19+20+21+30		98351	A
19+20+21+30		98398	B
19+20+21+30		98437	C
24		98441	A
24		98442	B+C
27+27/1		98455	A-C
30		99905	A-C
31+31/1+48+30		98566	A-C
32		98574	A-C
33		98684	A-C
34		98731	A-C
31/1+35+36+37 38+38/1+38/2		98852	A-C
39+39/1		98855	A-B
49		98857	A
90		98932	B
90		99013	A
90		99269	C
42+30		99506	A-C
43		99607	A-C
45+45/1+46+53		99698	A-C
00		99765	A-C
101+102+103+104+105+106		99766	A-C
102+103+104+105		99789	A-C
106		99888	A-C
195		99899	A-C
154+155		99903	A-C

English (Original Instructions)




Important Safety Information







Please read, understand, and follow all safety information contained in these instructions prior to the use of this Portable Dust Extractor. Retain these instructions for future reference.





Intended Use

This dust extractor is intended for use in workplaces for substances which are not flammable, hazardous or explosive, and used only by skilled, trained professionals in accordance with the instructions in this manual.

Only dust extractor of dust class H-asbestos may be used for vacuuming asbestos-containing substances.

Explanation of Signal Word Consequences	
	This is the warning symbol! It warns against possible risk of injury. Follow all instructions which are marked with this sign to avoid injury or death. The warning symbol always appears in association with the signal words WARNING and CAUTION .
	WARNING: Indicates a potentially hazardous situation which, if not avoided, may result in death or serious injury and/or property damage.
	CAUTION: Indicates a potentially hazardous situation which, if not avoided, may result in minor or moderate injury and/or property damage.
NOTE:	Identifies advice or instructions to simplify work and to ensure safe operation.
»	Identifies steps to be taken one after the other by the user.
✓	Identifies the results of an action.

Summary of Device and Carton Labels	
	Labels Containing Conformity Information
	WARNING: READ AND UNDERSTAND INSTRUCTION MANUAL BEFORE OPERATING
	WARNING: ALWAYS WEAR APPROVED HEARING PROTECTION
	WARNING: ALWAYS WEAR APPROVED EYE PROTECTION
	WARNING: ALWAYS WEAR APPROVED RESPIRATORY PROTECTION
	Recycle: Do not dispose in household waste

<p>Read the Safety Data Sheets (SDS) before using any materials.</p> <div style="display: flex; justify-content: space-around; align-items: center;">    </div> <p>Contact the suppliers of the workpiece materials and abrasive materials for copies of the SDS if one is not readily available.</p>	<p style="text-align: center;"> WARNING!</p> <p>Exposure to <u>DUST</u> generated from workpiece and/or abrasive materials can result in lung damage and/or other physical injury.</p> <p>Use dust capture or local exhaust as stated in the SDS. Wear government approved respiratory protection and eye and skin protection.</p> <p>Failure to follow this warning can result in serious lung damage and/or physical injury.</p>
--	--

General Dust Extractor Safety Warnings

WARNING

To reduce the risks associated with hazardous voltage, fire, and hazardous dust ingestion or eye/skin exposure:

- Prior to use, users must be provided with information, instructions and training for the use of the dust extractor and the handling of any materials involved, including safe procedures for disposing of the extracted materials.
- Improperly repaired dust extractor poses a hazard for the user. Only have repairs carried out by experts, e.g. the customer service. Only use original accessories and spare parts.
- For user servicing, the dust extractor must be dismantled, cleaned and serviced, as far as it is reasonably practicable, without causing risk to the maintenance staff and others. Suitable precautions include decontamination before dismantling, provision for local filtered exhaust ventilation where the dust extractor is dismantled (according to local regulations), cleaning of the maintenance area and suitable personal protection.
- The dust extractor may not be used by persons (including children) who have reduced physical, sensory or mental capabilities or who are inexperienced or lack the knowledge of how to use the dust extractor.
- Children must be supervised to ensure that they do not play with the dust extractor.
- Please read the operating instructions for any device connected to the 3M Portable Dust Extractor.
- If you notice any abnormal noise or vibration when operating the dust extractor, immediately discontinue its use and inspect for worn or damaged components. Correct or replace the suspect component. If abnormal noise or vibration still exists, contact 3M. Refer to warranty instructions.
- Do not climb onto or sit on the dust extractor.
- In case of any inappropriate usage, improper operation or repair, the producer shall be exempt from liability.

- Dust-removing machines are tested according to UL 1017 and divided into dust classes.
- Do not clean dust extractor or filter cartridges using compressed air.

To reduce the risks associated with skin abrasion, burns, cutting and severing, entrapment or entanglement:

- After a power failure, switch off the dust extractor and all connected devices to avoid accidentally starting when power returns.
- Danger of injury by automatically starting power tool! Switch off power tool or pneumatic tool before connecting to the dust extractor.

To reduce the risks associated with impact from abrasive product, disc pad, work piece or tool breakup, sharp edges, hazardous vibration, and hazardous noise:

- Never exceed marked maximum input pressure on the dust extractor (116 PSI/8 bar).
- Do not exceed the maximum pressure marked on the connected device.
- Operators and other personnel must always wear protection for eyes, ears, and respiratory protection when in the work area or while operating this product. Follow your employer's safety policy for PPEs (Personal Protective Equipment) or local/national standards for eyewear and other personal protective equipment requirements.
- Wear protective apparel, taking into consideration the type of work being done.
- Proper eye protection must be worn at all times.

To reduce the risks associated with hazardous dust ingestion or eye/skin exposure:

- Do the following to transport the dust extractor and its accessories: Insert the sealing plug into the extraction opening and securely connect the motor head with the tank (close the seals). Seal the accessories into suitable plastic bags.
- Dusts and fumes generated when using power tools can cause ill health (for example: cancer, birth defects, asthma and/or dermatitis); risk assessment of these hazards and implementation of appropriate controls is essential. Risk assessment should include dust created by the use of the tool and the potential for disturbing existing dust.
- Operate and maintain the power tool as recommended in these instructions, to minimize dust or fume emissions.
- Where dusts or fumes are created, the priority shall be to control them at the point of emission.
- All integral features or accessories for the collection, extraction or suppression of airborne dust or fumes should be correctly used and maintained in accordance with the manufacturer's instructions.
- Select, maintain and replace the consumable as recommended in these instructions, to prevent an unnecessary increase in dust or fumes.
- Use respiratory protection as instructed by your employer and as required by occupational health and safety regulations.
- Use dust capture or local exhaust as stated in the SDS (Safety Data Sheet) of the material being worked on. Wear government approved respirator protection and eye and skin protection.
- Failure to follow these warnings can result in serious lung damage and/or physical injury.
- Follow applicable local and government regulations for transport of dust extractor and materials (e.g., dust) contained within the dust extractor.
- Keep the suction hose away from heat, oil and sharp edges, and do not bend it or clamp it.
- Minimize the spread of dust during replacement of the dust bag and/or filter.
- Do not use solvents to clean dust extractor.

To reduce the risks associated with hazardous dust ingestion or eye/skin exposure and fire or explosion due to electrostatic discharge:

- Use only 3M authorized parts and accessories, including hoses, attachments, bags, and filters.

To reduce the risks associated with explosion and fire:

- Do not run the dust extractor in a potentially explosive environment.
- Keep the dust extractor away from flammable gases and substances.
- Do not use the dust extractor to vacuum up the following:
 - Flammable or explosive solvents
 - Materials soaked in solvents
 - Potentially explosive dusts
 - Materials hotter than 60°C (140°F)
 - Flammable dusts
 - Asbestos fibers
- Do not vacuum up things that are burning or smoking, such as sparks or hot shavings.
- Do not mix metal and/or non-metal materials in the dust extractor.
- Be aware of material being worked. Refer to SDS of material being worked as to potential for creating fire or explosion hazard.

To reduce the risks associated with hazardous voltage and fire:

- When unplugging, only pull on the mains plug and not on the mains connection cable.
- Do not handle the dust extractor, connected devices or mains connection cable/mains plug with wet hands.
- The voltage on the rating plate must match the mains voltage.
- Turn off dust extractor and all connected devices before unplugging.
- Only use the socket on the dust extractor for devices that are in proper working order and with max. power consumption 400W.
- Do not exceed 15 Amps/1800 W.
- Never allow rotating brushes to come into contact with the mains connection cable.
- Only connect the dust extractor to a sufficiently protected electric socket.
- Store the dust extractor dry and indoors, protected from frost.
- To reduce the risk of electric shock - use indoors only.
- Keep the mains connection cable away from heat, oil and sharp edges.
- A trained person should carry out a technical check at least once a year, consisting of checking the filters for damage, making sure the dust extractor is air-tight and checking to see whether the control equipment functions correctly.
- Do not use a steam cleaner or pressure washer to clean the dust extractor.
- Do not use the dust extractor if it has defective or damaged mains connection cable, mains plug or accessories.
- If the mains connection cable of the dust extractor is defective or damaged, it must be replaced by a special mains connection cable available from 3M. Contact 3M for service.
- Do not use the dust extractor if it is not working as it should (e.g., if an invisible defect is suspected), has been dropped or damaged, left outdoors, or dropped into water.
- Do not use defective or damaged extension cables.
- Disconnect the dust extractor from the mains in the event of a longer work interruption.

To reduce the risks associated with hazardous voltage:

- Do not bend the mains connection cable or allow it to be caught between objects.
- Switch off the dust extractor and disconnect the mains plug before maintenance, service, cleaning, replacing parts or converting to another function.
- Do not open the dust extractor outdoors in the rain or during a thunderstorm.
- If any foam or liquid is discharged, immediately switch off the dust extractor.
- Always keep the inside of the lid dry.

To reduce the risks associated with hazardous dust ingestion or eye/skin exposure:

- Do not use without the filter in place.
- Dust extractors for dust class **M** are suitable for vacuuming/sucking up dry, non-flammable dusts, wood dusts and hazardous dusts with workplace exposure limits 0.1 mg/m³.
- Dust extractors for dust class **H** are suitable for vacuuming/sucking up dry, non-flammable dusts, carcinogenic and pathogenic particles as well as wood dusts and toxic dusts with all workplace exposure limits.
- Do not point nozzle, tube or hose at people or animals.
- Immediately disconnect the dust extractor from the electrical mains if dust is ejected from air outlet.

To reduce the risks associated with hazardous dust:

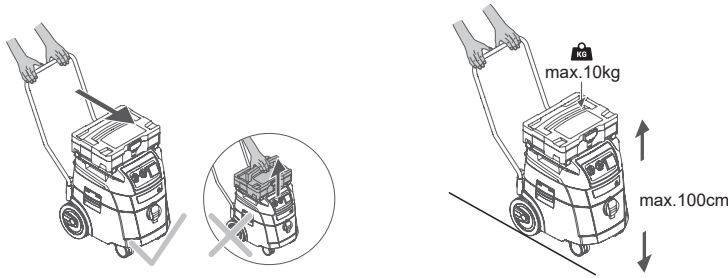
- There must be an adequate air exchange rate L in the room if the exhaust air returns to the room. Observe national regulations.

To reduce the risks associated with falling from height:

- Risk of falling when working on stairs. Pay attention to stand safely.

To reduce the risks associated with impact from heavy object:

- Do not lift the dust extractor at the mounted toolbox.
- Load the toolbox with a maximum weight of 10 kg (22 lbs.)
- Do not stack the toolboxes higher than 1.00 m (3.28 ft.) (total height with dust extractor).
- Before opening the cover, remove the toolbox.



To reduce the risks associated with suffocation:

- Do not allow children to play with packaging material, e.g. plastic bags.

⚠ CAUTION

To reduce the risks associated with whipping, hazardous pressure, and rupture:

- Ensure supply hose is oil-resistant and is properly rated for required working pressure.

To reduce the risks associated with tripping:

- Always route the mains connection cable and suction hose carefully to avoid creating a trip hazard.







To reduce the risks associated with impact:

- Avoid putting the dust extractor on uneven, unstable surfaces.
- Do not lift or transport the dust extractor by the handle using a lifting device.

Operating Instructions

1 Display and Control Elements

Select from the following functions and settings:

0		Dust extractor is switched off	<ul style="list-style-type: none"> • Plug socket current-conducting
I		Dust extractor is running	<ul style="list-style-type: none"> • Plug socket current-conducting • Filter cleaning function off
I+		Dust extractor is running	<ul style="list-style-type: none"> • Plug socket current-conducting • Filter cleaning function on
A+		Ready for operation	<ul style="list-style-type: none"> • Plug socket current-conducting • Filter cleaning function on • The dust extractor is switched on and off via the connected electrical/compressed air tool at the plug socket. • After the tool is switched off, the dust extractor runs on for approx. 10 sec to prevent any residue from collecting in the hose.
		Filter cleaning function	<ul style="list-style-type: none"> • During suction, the folding filter cassettes are cleaned alternately when a specific negative pressure is reached, at which there is still adequate suction air.
		Fill level indicator	<ul style="list-style-type: none"> • When the container is full and/or there is a blockage in the suction hose, the full indicator lights up. On the M and H dust extractors, an acoustic signal is also emitted.
		Speed regulation - HEPA U.S.	<ul style="list-style-type: none"> • The suction performance can be regulated using the speed regulator.
		Setting the suction hose diameter	<ul style="list-style-type: none"> • Determine the maximum negative pressure for automatic shaking. (see chart below)

⚠ WARNING

Setting the suction hose diameter

Selector switch for minimum material flow (horn and/or light) on dust extractors classes "M" and "H" (except HEPA US). In the modes >A+< and >I+< the following setting is made, depending on the diameter of the hose:

Knob Position	Inside Diameter of the Hose	Volume air flow
1	Ø35mm (1.4 in)	70m³/h (41.2 scfm)
2	Ø27mm (1.1 in)	40m³/h (23.5 scfm)
3	Ø21mm (0.8 in)	20m³/h (11.8 scfm)

No speed regulation is carried out.
The dust extractor always runs at max. speed.

2 Set Up

2.1 Before Every Use

Make sure that the following conditions are met:

- Dust extractor, mains cable, suction hose and accessories are not damaged.
- All filters have been inserted and are not damaged.
- For use with pneumatic tools, connect dust extractor with compressed air supply (max 8 bar/116 psi).

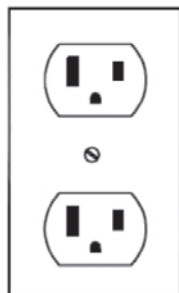
2.2 Grounding Instructions

This appliance must be grounded. If it should malfunction or breakdown, grounding provides a path of least resistance for electric current to reduce the risk of electric shock. This appliance is equipped with a cord having an equipment-grounding conductor and grounding plug. The plug must be inserted into an appropriate outlet that is properly installed and grounded in accordance with all local codes and ordinances.

⚠ WARNING

Improper connection of the equipment-grounding conductor can result in a risk of electric shock. Check with a qualified electrician or service person if you are in doubt as to whether the outlet is properly grounded. Do not modify the plug provided with the appliance – if it will not fit the outlet, have a proper outlet installed by a qualified electrician.

This appliance is for use on a nominal 120-V circuit and has a grounding attachment plug that looks like the plug illustrated in the Figure. Make sure that the appliance is connected to an outlet having the same configuration as the plug. No adaptor should be used with this appliance.



2.3 Starting and Stopping

The plug socket on the dust extractor remains always under voltage, regardless of the main switch position.

⚠ WARNING

Danger of injury by automatically starting power tool!

- » Switch off power tool or pneumatic tool before connecting to the dust extractor.

NOTE

With switch in position >0<, the plug socket on the dust extractor can be used as an extension cable.

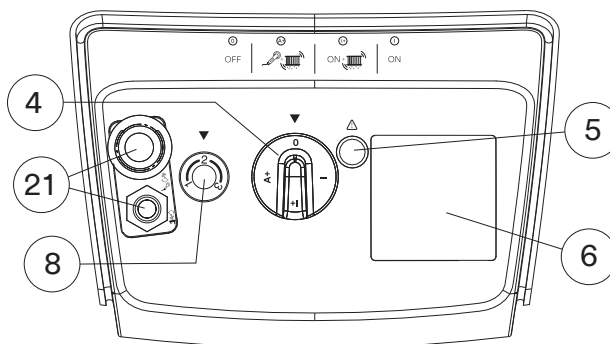
Power consumption:

For 110-120V version: Dust extractor + connected power tool (400 W max.)
15 A max.

2.3.1 Switching on the dust extractor

Functions see "1 Display and Control Elements".

- » Insert plug into plug socket.
 - » Set switch to position >I+<.
 - ✓ Dust extractor starts immediately.
- or:
- » Set switch to position >A+<.
 - ✓ Dust extractor is in standby mode for power or pneumatic tools. The tool can be connected either to the socket (6) or to the pneumatic connector (21). The dust extractor starts when the tool starts.



2.3.2 Adjusting the suction power (HEPA US)

Adjust motor speed on the switch (8).

2.3.3 Switching off the dust extractor

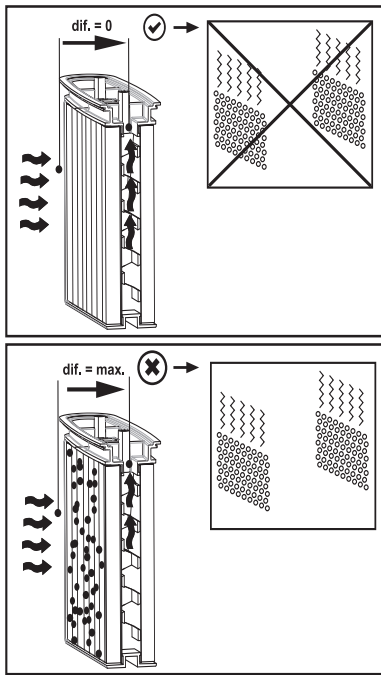
- » Set switch to position >0<.
- ✓ Dust extractor is switched off.
- » After switching off, pull the mains plug out.
- » Roll up mains connection cable.
- » Store the mains connection cable on the cable hook.
- » Store the suction tube by inserting it into the accessory holder* on the container rear wall.
- » Put the suction hose ends together so that no dirt particles leak out.
- » Remove power or pneumatic tool.

3 Vacuuming Dry Materials

- » Only use a dry filter, dust extractor and accessories, so that the dust does not stick and or cake.
- » When vacuuming soot, cement, plaster or similar dusts: Insert a PE disposal bag in the dirt container.
- » Always use disposal bags in combination with folded filter cartridges.

4 Permanent Filter Cleaning

- The dust extractor is fitted with an electromagnetic filter cleaning system, which can be used to clean any attached dust from the filter cartridges.
- The folded filter cartridges are cleaned alternately one after the other so that continuous work is guaranteed.
- Continuous monitoring of the filter filling level through differential pressure measurement, for an absolutely precise on-demand filter cleaning during the operation.
- Thereby constant high air flow cleaning guaranteed during the operation, even for critical types of dust.



NOTE

Vacuuuming materials that are undercuried might prematurely clog the filter and will lead to damages.

5 Emptying the Container

NOTE

Only permitted for dust with workplace exposure limits > 1 mg/m³.

- » Switch off the dust extractor, pull out the mains plug.
- » Open the latches.
- » Remove the cover and suction hose from the container.
- » Empty the container by pouring out.

5.1 Dispose of the Fleece Filter Bag (if available)

- » Switch off dust extractor.
- » Disconnect mains plug.
- » Wear appropriate breathing mask.
- » Remove suction hose.
- » Close off intake socket with cap.
- » Open side latches.
- » Remove top section.
- » Carefully pull the flange off the intake socket and close off the flange.
- » Dispose of gathered material in accordance with legal requirements.

5.2 Dispose of the PE Emptying and Disposal Bag

- » Set switch to position >|+<.
- ✓ Folded filter cartridges are cleaned automatically.
- ✓ Residual dust in the filters falls into the bag.
- » Switch off dust extractor.
- » Disconnect mains plug.
- » Wear appropriate breathing mask.
- » Remove suction hose.
- » Close off intake socket with cap.
- » Open side latches.
- » Carefully close the PE emptying and disposal bag with the enclosed sealing tape.
- » Carefully pull the flange off the intake socket and close off the flange.
- » Carefully remove the PE emptying and disposal bag from the container.
- » Dispose of gathered material in accordance with legal requirements.

5.3 Insert Fleece Filter Bag (if available)

NOTE

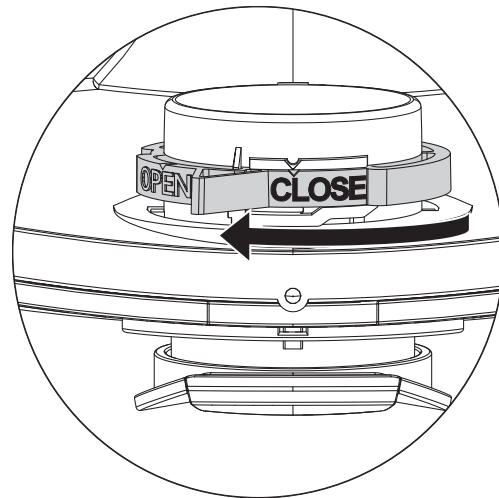
Only use fleece filter bags for dry vacuum cleaning.

- » Slide the flange completely over the intake socket.

NOTE

Operating the rotary slide

- » Turn the red rotary slide inside to position CLOSE to the stop on the marker ▲.



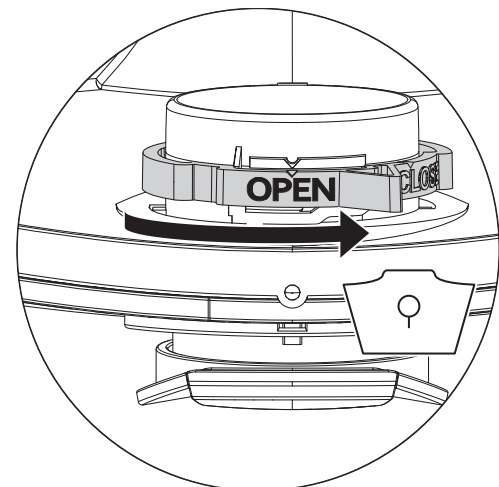
5.4 Insert PE Emptying and Disposal Bag

NOTE

Operating the rotary slide

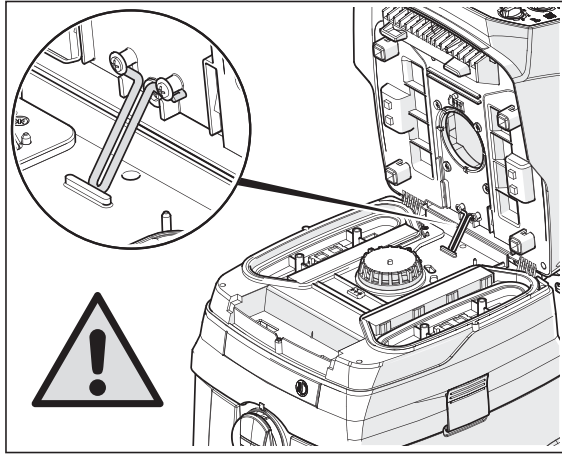
- » Turn the red rotary slide inside to position OPEN to the stop on the marker ▲.

- » Slide the flange completely over the intake socket.
- » Place the upper bag opening over the container rim.



6 Changing the Filter

- » Clean the filter cartridges before changing them.
- » Turn the lock on the latch through 90° in a counterclockwise direction with a coin or similar object and push the latch to the rear.
- » Fold up the cover.
- » Immediately isolate the folded filter cartridges that you have removed in a dust-tight plastic bag and dispose of properly in accordance with the requirements.
- » Insert new folded filter cartridges.
- » Lift the locking bracket up, fold down the cover and click in place with light pressure.



7 Changing the Motor Protection Filter

NOTE

If motor protection filter is contaminated, this indicates defective filter cartridges.

- » Replace folded filter cartridges.
- » Replace motor protection filter or wash the motor protection filter under flowing water, dry and re-insert.

⚠ WARNING

To reduce the risk of electric shock—unplug before cleaning or servicing.

8 Transport

- » Remove suction hose.
- » Close off intake socket with cap.
- » Securely fix the motor head to the container.
- » Close the side latches.
- » Place the accessories in a suitable plastic bag and seal the plastic bag or place it in the tool storage compartment.
- » Put the suction hose ends together so that no dirt particles leak out.
- » Place the hose around the dust extractor and clamp onto the handle.

9 Maintenance

NOTE

Switch off the dust extractor and pull out the mains plug before carrying out any maintenance work.

For maintenance by the user, the dust extractor must be

- » dismantled,
 - » cleaned and
 - » maintained,
- as far as possible without creating any danger to the maintenance personnel or other.

9.1 Precautionary measures

Suitable precautionary measures include:

- Cleaning before dismantling
- Provision of local filtered positive ventilation where the dust extractor is to be dismantled
- Cleaning of the maintenance area
- Suitable personal protection equipment

9.2 Precautionary measures with dust extractors class H and M

The outside of the dust extractor should be cleaned by dust extraction procedures and wiped down or should be treated with a sealing agent before being removed from the hazardous area. All parts of the dust extractor must be considered contaminated when they are removed from the hazardous area, and suitable handling must be used to prevent dust distribution.

9.3 Contaminated items

When carrying out maintenance or repair work, all contaminated items which have not been adequately cleaned, must be disposed of. Such items must be disposed of in impermeable bags in accordance with the applicable regulations concerning the disposal of such waste.

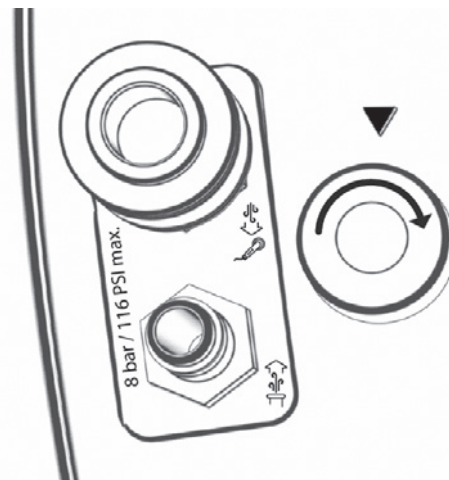
9.4 Testing the Effectiveness of the Dust Extractor

At least once a year, the manufacturer or an instructed person must perform a technical inspection including filters, air tightness of the dust extractor, and control mechanisms.

In addition, the effectiveness of the dust extractor with dust class H must be checked at least once a year or more frequently. The test method, which can be used for demonstrating the effectiveness of the device, is defined in EN 60335-2-69 AA.22.201.2. If the test is not passed, it must be repeated with a new main filter. There must be an adequate air exchange rate L in the room if the exhaust air returns to the room. Observe national regulations.

If the suction power of the dust extractor is reduced and the cleaning of the filter cartridges is no longer sufficient (assuming that tank is emptied and fleece filter bag is replaced), it is necessary to replace the folded filter cartridges (see “6 Changing the Filter”).

10 Exchange Pneumatic Fittings



- » Unscrew the male fitting and screw on the replacement. Torque 8Nm max.
- » Unscrew the female fitting and screw on the replacement. Torque 8Nm max.

NOTE

Never exchange both fittings simultaneously.

11 Cleaning

NOTE

Acids, acetone, and solvents can damage parts of the dust extractor.

- » Clean container and accessories with water.
- » Wipe the top section with a damp cloth.
- » Allow the container and accessories to dry.

12 Repair

⚠ WARNING

Improperly repaired dust extractors pose a hazard for the user!

- » Have repairs carried out by qualified personnel only, e.g. the customer service.

13 Troubleshooting and Repair

NOTE

Malfunctions cannot always be traced back to defects in the dust extractor.

Fault	Cause	Remedy
Suction power drops	Filter dirty	Clean
	Filter bag full	Change
	Container full	Empty
	Motor protection filter blocked	Clean
	Nozzle, tube, or hose blocked	Clean
Dust extractor does not start	Mains plug not in socket	Plug plug into socket
	No mains voltage	Check fuse
	Mains connection cable defective	Replace
	Cover not properly closed	Close
	Dust extractor in standby mode >A+<	Set switch to >I+< (see "1 Display and Control Elements")
The dust extractor does not start when the tool is switched on in the >I+< mode	Electrical tool not plugged into socket on the dust extractor	Plug mains plug into socket on the dust extractor
	Dirt sticks in the pneumatic switch mechanism	Rinse with alcohol (fill 6 drops through the male fitting), tilt the dust extractor for 1 minute slight to the back so that the control panel is parallel to the floor. Run the tool with full speed and no load for 2-3 minutes. Repeat if necessary. Ensure clean air.
	Input pressure < 6,2 bar/90psi	Increase pressure to minimum 6.2 bar / 90 psi
	Airflow demand < 120l/m /4,23scf	Increase tool speed /airflow demand
PE emptying and disposal bag is sucked against the filter	Incorrect position of rotary slide	Set rotary slide to position OPEN ▲ (see "5.4 Insert PE Emptying and Disposal Bag")
Dust extractor with dust classes M or H : with inserted filter bag, dust is accumulating in the container	Incorrect position of rotary slide	Set rotary slide to position CLOSE ▲ (see "5.3 Insert Fleece Filter Bag (if available)")
Fill level indicator lights up	Filter blocked	Clean or change
	The suction hose is blocked	Clean
	Container is full	Empty

Do not try anything else, contact customer services.

14 Technical Data

Voltage	V	110-120
Frequency	Hz	60
Rated power	W	1400
Max. power*	W	1800
Air flow**	l/s (m³/h)	74
Negative pressure**	hPa/MG	255
Air flow***	l/s (m³/h)	42
Negative pressure***	hPa/SE	235
Noise level	dB(A)	69
Weight****	kg / lbs	15,5 (16,7****) / 34,17 (36,81****)
Dimensions (l x w x h)	cm / ft	53 x 40 x 56 (92****) / 1,74 x 1,31 x 1,83 (3,01****)
<p>* The maximum power in combination dust extractor and power tool ** at the fan *** at the hose **** incl. push handle</p>		

Mains connection cable on dust extractor for dust class M and H with plug socket: SJOW 3x16 AWG (100-120V).

15 Disposal

WARNING

To reduce the risks associated with environmental contamination:

- Dispose of all process dust in accordance with all applicable regulations and/or material SDS.
- Do not throw the dust extractor into the household waste! Used dust extractor must be collected separately and recycled in an environmentally friendly manner.
- Separate collection of used products and packaging allows materials to be recycled. Use of recycle materials helps prevent environmental pollution and reduces the demand for raw materials.

Disclaimer

3M industrial and occupational products are intended, labeled, and packaged for sale to trained industrial and occupational customers for workplace use. Unless specifically stated otherwise on the applicable product packaging or literature, these products are not intended, labeled, or packaged for sale to or use by consumers (e.g., for home, personal, primary or secondary school, recreational/sporting, or other uses not described in the applicable product packaging or literature), and must be selected and used in compliance with applicable health and safety regulations and standards (e.g., U.S. OSHA, ANSI), as well as all product literature, user instructions, warnings, and other limitations, and the user must take any action required under any recall, field action, or other product use notice. Misuse of 3M industrial and occupational products may result in injury, sickness, death, or property damage. For help with product selection and use, consult your on-site safety professional, industrial hygienist, or other subject matter expert. For additional product information, visit www.3M.com.

Warranty and Limited Remedy: 3M warrants this device against defects in workmanship and materials under normal operating conditions for one (1) year from the date of purchase. 3M MAKES NO OTHER WARRANTIES, EXPRESS OR IMPLIED, INCLUDING, BUT NOT LIMITED TO, ANY IMPLIED WARRANTY OF MERCHANTABILITY OR FITNESS FOR A PARTICULAR PURPOSE OR ANY IMPLIED WARRANTY ARISING OUT OF A COURSE OF DEALING, CUSTOM OR USAGE OF TRADE. User is responsible for determining whether the 3M device is fit for a particular purpose and suitable for user's application. User must operate the device in accordance with all applicable operating instructions, safety precautions, and other procedures stated in the operating manual to be entitled to warranty coverage. 3M shall have no obligation to repair or replace any device or part that fails due to normal wear, inadequate or improper maintenance, inadequate cleaning, nonlubrication, improper operating environment, improper utilities, operator error or misuse, alteration or modification, mishandling, lack of reasonable care, or due to any accidental cause. If a device or any part thereof is defective within this warranty period, your exclusive remedy and 3M's sole obligation will be, at 3M's option, to repair or replace the device or refund the purchase price.

Limitation of Liability: Except where prohibited by law, 3M and seller will not be liable for any loss or damage arising from the 3M product, whether direct, indirect, special, incidental or consequential, regardless of the legal theory asserted, including warranty, contract, negligence or strict liability.

Submitting a Warranty Claim: Contact your dealer when submitting a warranty claim in accordance with the restrictions listed above. Please note that all warranty claims are subject to manufacturer's approval. Be sure to keep your sales receipt in a safe place. This must be submitted when filing a warranty claim, within 1 year from the date of purchase. For additional assistance call 1-800-362-3550.

Product Repair after Warranty Has Expired: Repair of 3M devices that are not under warranty is available through 3M or a 3M Authorized Device Repair Representative. Contact your 3M Device Distributor for details, or call 1-800-362-3550.

For 3M Product Information Call:

800-3M HELPS (800-364-3577) toll free
651-737-6501 direct dial



Abrasive Systems Division
3M Center
St. Paul, MN 55144-1000 U.S.A.
www.3M.com/abrasives

© 3M 2022.
3M and 3M Xtract are trademarks of 3M Company.

Français québécois (Traduction de la notice originale)




Renseignements importants sur la sécurité







Veuillez lire, comprendre et respecter toutes les consignes de sécurité ci-dessous avant d'utiliser cet extracteur de poussière mobile. Conservez ces directives pour référence future.

Utilisation prévue

Cet aspirateur est destiné à être utilisé dans des milieux de travail et pour des substances qui ne sont pas inflammables, dangereuses ou explosives. Seuls les professionnels compétents et formés doivent s'en servir, et ce, en respectant les directives du présent manuel.

Seul un extracteur de poussière d'amiante de classe H peut être utilisé pour aspirer des substances contenant de l'amiante.

Explication des conséquences liées aux mots indicateurs	
	Symbole d'avertissement. Il prévient d'un risque de blessure potentiel. Toutes les directives accompagnées par ce symbole ont pour but de prévenir les blessures, voire la mort. Le symbole d'avertissement apparaît toujours avec les mentions MISE EN GARDE et AVERTISSEMENT .
	MISE EN GARDE : Indique une situation potentiellement dangereuse qui, si elle n'est pas évitée, peut entraîner des dommages matériels et/ou des blessures, voire la mort.
	AVERTISSEMENT : Indique une situation potentiellement dangereuse qui, si elle n'est pas évitée, peut entraîner des blessures mineures ou modérées et/ou des dommages matériels.
REMARQUE : Identifie des conseils ou des directives visant à faciliter la tâche de l'utilisateur et garantir un usage sûr.	
	» Signale les étapes successives que l'utilisateur doit suivre.
	✓ Signale le résultat d'une manipulation.

Résumé des étiquettes des appareils et des cartons	
	Étiquettes contenant des renseignements de conformité
	MISE EN GARDE : LIRE ET COMPRENDRE CE MANUEL DE DIRECTIVES AVANT D'UTILISER L'OUTIL.
	MISE EN GARDE : TOUJOURS PORTER UNE PROTECTION DE L'OUÏE CERTIFIÉE.
	MISE EN GARDE : TOUJOURS PORTER UNE PROTECTION OCULAIRE CERTIFIÉE.
	MISE EN GARDE : TOUJOURS PORTER UNE PROTECTION RESPIRATOIRE CERTIFIÉE.
	Marquage de gestion des DEEE

<p>Lisez les fiches signalétiques santé-sécurité (FSSS) avant d'utiliser tout matériau.</p> <div style="display: flex; justify-content: space-around; align-items: center;">    </div> <p>Contactez les fournisseurs des matériaux de la pièce et des matériaux abrasifs pour obtenir des copies de la FSSS si une n'est pas facilement disponible.</p>	<p style="text-align: center;"> MISE EN GARDE!</p> <p>L'exposition à de la POUSSIÈRE générée par une pièce et/ou des matériaux abrasifs peut entraîner des lésions pulmonaires et/ou d'autres blessures physiques.</p> <p>Utilisez un système de capture ou d'évacuation locale de la poussière comme indiqué dans la FSSS. Portez une protection respiratoire et une protection des yeux et de la peau approuvées par les autorités.</p> <p>Le non-respect de cette mise en garde peut entraîner de graves lésions pulmonaires et/ou des blessures physiques.</p>
--	---

Mises en garde générales de sécurité relatives à l'extracteur de poussière

MISE EN GARDE

Pour réduire les risques liés aux tensions dangereuses, aux incendies, aux ingestions dangereuses de poussière ou aux expositions des yeux et de la peau :

- Avant tout usage, les utilisateurs doivent recevoir des renseignements, des directives et une formation relatifs à l'utilisation de l'extracteur de poussière et à la manipulation de tous les matériaux impliqués. Cela comprend notamment des procédures sécuritaires d'élimination des matériaux extraits.
- Des appareils réparés de manière incompétente présentent des dangers pour l'utilisateur. Ne faire exécuter des travaux de réparation que par du personnel spécialisé, tel que par exemple le service après-vente. N'utiliser que des pièces de rechange d'origine.
- En ce qui concerne l'entretien par l'utilisateur, il convient de démonter, nettoyer et entretenir l'extracteur de poussière sans causer de risque pour le personnel d'entretien et d'autres personnes, dans la mesure du possible. Les précautions appropriées comprennent la décontamination avant le démontage, la mise en place d'une ventilation par expiration filtrée locale à l'endroit où l'extracteur de poussière est démonté (conformément aux réglementations locales), le nettoyage de la zone d'entretien et une protection individuelle appropriée.
- Cet appareil ne doit pas être utilisé par des personnes (y compris des enfants) avec des capacités physiques, sensorielles ou mentales déficientes ou un manque d'expérience ou de connaissances.
- Tout enfant doit être surveillé pour s'assurer qu'il ne joue pas avec l'extracteur de poussière.
- Veuillez lire les instructions d'utilisation de tout appareil connecté à l'Extracteur de poussière mobile 3M.
- Si vous remarquez des vibrations ou des bruits anormaux lors de l'utilisation l'extracteur de poussière, cessez immédiatement de l'utiliser et vérifiez les éléments usés ou endommagés. Rectifiez ou remplacez l'élément suspect. Si des vibrations ou des bruits anormaux persistent, contactez 3M. Reportez-vous aux directives de la garantie.
- Ne pas grimper ou s'asseoir sur l'extracteur de poussière.

- Le fabricant décline toute responsabilité pour d'éventuels dégâts résultant de changement d'affectation, de maniement incorrect ou de réparation incompétente.
- Les dépoussiéreuses sont testées selon la norme UL 1017 et sont réparties en différentes catégories de poussière.
- Ne pas nettoyer l'extracteur de poussière ou alors les cartouches filtrantes avec de l'air comprimé.

Pour réduire les risques d'abrasion de la peau, de brûlure, de coupure, de piégeage ou d'enchevêtrement :

- En cas de panne de courant, éteignez l'extracteur de poussière et tous les appareils connectés afin d'éviter un démarrage accidentel au moment du retour du courant.
- Danger de blessure en cas de démarrage automatique d'un outil électrique! Éteindre l'outil électrique ou pneumatique avant de le brancher sur l'extracteur de poussière.

Pour réduire les risques associés à un choc avec un produit abrasif, à la rupture d'un plateau, d'une pièce ou d'un outil, à des arêtes tranchantes et à des vibrations ou des bruits dangereux :

- Ne jamais dépasser la pression d'entrée maximale indiquée sur l'extracteur de poussière (116 lb/po²/8 bar).
- Ne pas dépasser la pression maximale indiquée sur l'appareil connecté.
- Les opérateurs et autres membres du personnel doivent toujours porter une protection oculaire, auditive et respiratoire lorsqu'ils se trouvent dans la zone de travail ou lorsqu'ils utilisent ce produit. Suivez la politique de sécurité de votre employeur en matière d'EPI (équipement de protection individuelle) ou les normes locales/nationales relatives aux lunettes de protection et autres exigences relatives à l'équipement de protection individuelle.
- Porter des vêtements de protection en tenant compte du type de travail effectué.
- Une protection oculaire appropriée doit toujours être portée.

Pour réduire les risques associés à l'ingestion de poussières toxiques et l'exposition des yeux/de la peau :

- Pour déplacer l'extracteur de poussière et ses accessoires, suivre ces directives : Insérer le capuchon d'étanchéité dans l'ouverture d'extraction et connecter solidement la tête du moteur au réservoir (fermer les joints). Placer les accessoires dans des sacs en plastique étanches adaptés.
- Les poussières et fumées générées lors de l'utilisation d'outils électriques peuvent provoquer des problèmes de santé (par exemple : cancer, malformations congénitales, asthme et/ou dermatite); l'évaluation du risque de ces dangers et la mise en œuvre de contrôles appropriés sont essentielles. L'évaluation des risques doit inclure la poussière créée par l'utilisation de l'outil et le potentiel de perturbation de la poussière existante.
- Utiliser et entretenir l'outil électrique en suivant ces directives afin de minimiser les émissions de poussières ou de fumées.
- Lorsque des poussières ou des fumées sont générées, la priorité est de les contrôler au niveau du point d'émission.
- Les caractéristiques ou les accessoires intégrés pour la collecte, l'extraction ou la suppression des poussières ou fumées atmosphériques doivent être correctement utilisés et entretenus, conformément aux directives du fabricant.
- Sélectionner, entretenir et remplacer le consommable en suivant ces directives pour éviter une augmentation inutile de poussières ou de fumées.
- Utiliser une protection respiratoire conforme aux directives de l'employeur et aux réglementations relatives à la santé et sécurité au travail.
- Utiliser un système de capture ou d'évacuation locale de la poussière comme indiqué dans la fiche signalétique santé-sécurité (FSSS) du matériau en cours de travail. Porter une protection respiratoire et une protection des yeux et de la peau approuvées par les autorités.
- Le non-respect de ces mises en garde peut entraîner de graves lésions pulmonaires et/ou des blessures physiques.
- Respecter les réglementations locales et gouvernementales relatives au transport de l'extracteur de poussière et des matériaux présents à l'intérieur (comme la poussière).
- Éloigner le tuyau d'aspiration de toute source de chaleur, huile et arêtes tranchantes. Veillez à ne pas le plier ni le serrer.
- Limiter la propagation de la poussière lors du remplacement du sac à poussière et/ou du filtre.
- Ne pas utiliser de solvants pour nettoyer l'extracteur de poussière.

Pour réduire les risques associés à l'ingestion de poussières toxiques et l'exposition des yeux/de la peau et incendie ou explosion dus à une décharge électrostatique :

- N'utiliser que des pièces et accessoires autorisés par 3M, y compris pour les tuyaux, les fixations, les sacs et les filtres.

Pour réduire les risques d'incendie et/ou d'explosion :

- Ne pas faire fonctionner l'extracteur de poussière dans un lieu présentant un risque d'explosion.
- Tenir l'extracteur de poussière à l'écart de gaz et de substances inflammables.
- Ne pas utiliser l'extracteur de poussière pour aspirer les articles suivants:
 - Solvants inflammables ou explosifs
 - Matériaux trempés dans des solvants
 - Poussières potentiellement explosives
 - Matériaux à température supérieure à 60°C (140°F)
 - Poussières inflammables
 - Fibres d'amiante
- Ne pas aspirer d'objets qui brûlent ou qui fument, comme des étincelles ou des copeaux chauds.
- Ne pas mélanger du métal et/ou des matériaux non métalliques dans l'extracteur de poussière.
- Se renseigner sur les matériaux travaillés. Se référer à la fiche signalétique santé-sécurité du matériau travaillé pour connaître les potentiels risques d'incendie ou d'explosion.

Pour réduire les risques liés aux tensions dangereuses et aux incendies :

- Toujours tirer sur la fiche d'alimentation et jamais sur le câble d'alimentation.
- Ne pas manipuler l'extracteur de poussière, les appareils connectés ou le câble de connexion principale/prise principale avec les mains mouillées.
- La tension sur la plaque signalétique doit concorder avec la tension du réseau.
- Éteindre l'extracteur de poussière et tous les appareils connectés avant de débrancher.
- Utiliser la prise présente sur l'extracteur de poussière uniquement pour des appareils en bon ordre de fonctionnement et avec une consommation d'énergie maximale de 400 W.
- Ne pas dépasser 15 Ampères / 1800 W.
- Dans le cas de brosses tournantes, ne jamais laisser les brosses rotatives entrer en contact avec le câble d'alimentation.
- L'alimentation en courant doit être protégée au moyen d'un fusible à intensité de courant appropriée.
- L'extracteur de poussière doit être entreposé sec et protégé contre le gel en intérieur.
- Pour réduire le risque de choc électrique - Utiliser à l'intérieur seulement.
- Éloigner le câble de connexion principal de toute source de chaleur, huile et arêtes tranchantes.
- Faire effectuer au moins une fois par an un contrôle technique par une personne qualifiée. Ce contrôle consiste à s'assurer que les filtres ne sont pas endommagés, que l'extracteur de poussière est étanche à l'air et que l'équipement de commande fonctionne correctement.
- Ne pas utiliser de nettoyeur à vapeur ou à haute pression pour laver l'extracteur de poussière.
- Ne pas utiliser l'extracteur de poussière si son câble de connexion principal, sa prise principale ou ses accessoires sont défectueux ou endommagés.
- Si le câble de connexion principal de l'extracteur de poussière est défectueux ou endommagé, il doit être remplacé par un câble de connexion principale spéciale disponible auprès de 3M. Contacter 3M pour l'entretien.
- Ne pas utiliser l'extracteur de poussière s'il ne fonctionne pas comme il le devrait (par ex. : si vous soupçonnez la présence d'un défaut invisible), s'il est tombé sur le sol ou dans l'eau, s'il a été endommagé ou bien laissé à l'extérieur.
- Ne pas utiliser de rallonges défectueuses ou endommagées.
- Déconnecter l'extracteur de poussière du câble d'alimentation en cas d'interruption assez longue du travail.

Pour réduire les risques associés aux tensions dangereuses :

- Ne pas plier le câble de connexion principal et ne pas le coincer entre des objets.
- Éteindre l'extracteur de poussière et déconnecter la prise principale avant sa maintenance, son entretien, son nettoyage, le remplacement d'une ou plusieurs de ses pièces ou sa conversion à une autre fonction.
- Ne jamais ouvrir l'extracteur de poussière à l'air libre en cas de pluie ou d'orage.
- Immédiatement mettre l'extracteur de poussière hors marche si de la mousse ou du liquide s'échappent de l'appareil.
- Veiller à ce que l'intérieur du couvercle soit toujours sec.

Pour réduire les risques associés à l'ingestion de poussières toxiques et l'exposition des yeux/de la peau :

- Ne pas utiliser sans le filtre en place.
- Les extracteurs de poussière de classe **M** sont appropriés pour l'aspiration de poussières sèches, non combustibles, de poussières de bois et de poussières dangereuses avec des valeurs limites d'exposition sur le lieu de travail $\geq 0,1 \text{ mg/m}^3$.
- Les extracteurs de poussière de classe **H** sont appropriés pour l'aspiration de poussières sèches, non combustibles, de particules cancérogènes et pathogènes, de poussières de bois non combustibles et de poussières dangereuses avec toutes les limites d'exposition sur le lieu de travail.
- Ne jamais diriger la buse, le tuyau ou le tube sur des personnes ou des animaux.
- Débrancher immédiatement l'extracteur de poussière du câble d'alimentation électrique si de la poussière est éjectée de la sortie d'air.

Pour réduire les risques associés aux poussières dangereuses :

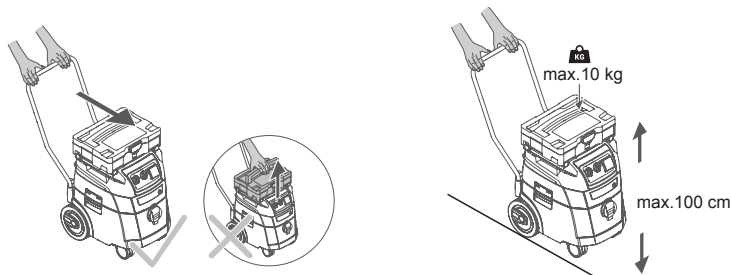
- Le taux de renouvellement d'air **L** dans la pièce doit être suffisant si l'évacuation de l'air retourne dans la pièce. Pour d'autres remarques, se référer aux réglementations nationales respectives.

Pour réduire les risques associés aux chutes de hauteur :

- Risque de chute lors du travail sur les escaliers. Veillez à adopter des postures stables et sûres.

Pour réduire les risques associés aux chocs avec des objets lourds :

- Ne pas soulever l'extracteur de poussière par la boîte à outils installée.
- Le poids maximal de chargement de la boîte à outils est de 10 kg (22 lb).
- Ne pas empiler les boîtes à outils à plus de 1,00 m (3,28 pi) (hauteur totale avec l'extracteur de poussière).
- Avant d'ouvrir le couvercle, retirer la boîte à outils.



Pour réduire les risques associés à l'asphyxie :

- Ne pas laisser les enfants jouer avec le matériel d'emballage, par exemple les sacs en plastique.

⚠ AVERTISSEMENT

Pour réduire les risques de fouettement, de pression dangereuse et de rupture :

- Assurer que le tuyau d'alimentation résiste à l'huile et qu'il est homologué pour la pression de travail requise.

Pour réduire les risques de trébuchement :

- Toujours diriger le câble et le tuyau avec précaution afin d'éviter tout risque de trébuchement.







Pour réduire les risques associés aux chocs :

- Éviter de placer l'extracteur de poussière sur des surfaces non planes ou instables.
- Veiller à ne pas soulever ni déplacer l'extracteur de poussière par la poignée avec un dispositif d'élévation.

Mode d'emploi

1 Éléments de l'affichage et de commande

Sélectionner les fonctions et les réglages suivants :

0	 OFF	Extracteur de poussière hors marche	<ul style="list-style-type: none"> • Prise conductrice de tension
I	 ON	Extracteur de poussière en marche	<ul style="list-style-type: none"> • Prise conductrice de tension • Fonction de nettoyage du filtre désactivée
I+		Extracteur de poussière en marche	<ul style="list-style-type: none"> • Prise conductrice de tension • Fonction de nettoyage du filtre activée
A+		Mode de veille	<ul style="list-style-type: none"> • Prise conductrice de tension • Fonction de nettoyage du filtre activée • L'extracteur de poussière est mis en marche et hors marche par le biais de l'outil électrique/à air comprimé raccordé à la prise. • Une fois l'outil électrique arrêté, l'extracteur de poussière fonctionne encore pendant environ 10 secondes afin d'éviter toute accumulation de résidus dans le tuyau.
		Fonction de nettoyage automatique du filtre	<ul style="list-style-type: none"> • Les cartouches filtrantes plissées sont nettoyées alternativement durant l'aspiration dès qu'une valeur de dépression définie est atteinte pour laquelle l'air d'aspiration disponible est encore suffisant.
		Indicateur de niveau de remplissage	<ul style="list-style-type: none"> • L'indicateur de niveau de remplissage s'allume lorsque la cuve est pleine et/ou que le tuyau d'aspiration est obstrué. Un signal acoustique retentit en supplément sur des extracteurs de poussières de classe M et H.
		Régulation de la vitesse - HEPA É.-U.	<ul style="list-style-type: none"> • La puissance d'aspiration peut être réglée en continu au moyen du régulateur de la vitesse.
		Réglage du diamètre du tuyau d'aspiration	<ul style="list-style-type: none"> • Déterminer les valeurs maximales de dépression pour la vibration automatique. (Voir le tableau ci-dessous)

⚠ MISE EN GARDE

Réglage du diamètre du tuyau d'aspiration

Sélecteur pour un signal de débit du volume d'air minimum (sonnerie et/ou lumière) sur les extracteurs de poussière de classe M et H (sauf les versions des É.-U.)
Pour les modes >A+< et >I+< le réglage suivant est effectué en fonction du diamètre du tuyau :

Position de l'interrupteur	Sélecteur pour le diamètre interne du tuyau d'aspiration	Volume du débit d'air
1	Ø 35 mm (1,4 po)	70m³/h (41,2 pi³/min std)
2	Ø 27 mm (1,1 po)	40m³/h (23,5 pi³/min std)
3	Ø 21 mm (0,8 po)	20m³/h (11,8 pi³/min std)

Une régulation de la vitesse n'est pas effectuée.
L'extracteur de poussière fonctionne toujours à une vitesse maximale.

2 Mise en service

2.1 Avant chaque utilisation

S'assurer que les conditions suivantes sont remplies :

- L'extracteur de poussière, le câble d'alimentation, le tuyau d'aspiration et les accessoires ne sont pas endommagés.
- Tous les filtres ont été insérés et ne sont pas endommagés.
- En cas d'une utilisation avec des outils pneumatiques, connecter l'extracteur de poussière avec l'alimentation en air comprimé (8 bar/116 lb/po² max.).

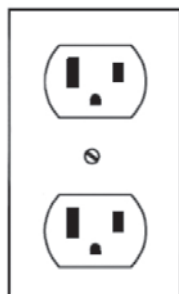
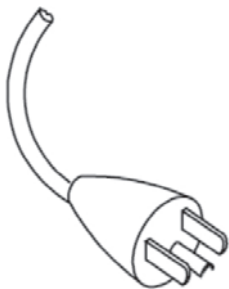
2.2 Instructions de mise à la terre

Cet appareil doit être mis à la terre. En cas de défaillance ou de panne, le circuit de mise à la terre offre au courant un chemin de moindre résistance qui réduit le risque de choc électrique. L'appareil est pourvu d'un cordon muni d'un conducteur qui en assure la mise à la terre et d'une fiche avec broche de terre. Cette fiche doit être branchée sur une prise convenable, correctement installée et reliée à la terre conformément aux codes et aux règlements du lieu.

⚠ AVERTISSEMENT

Un conducteur de terre mal raccordé présente des risques de choc électrique. Consulter un électricien ou un technicien d'entretien compétent en cas de doute à propos de la mise à la terre d'une prise quelconque. Ne pas modifier la fiche vendue avec l'appareil; si elle ne s'insère pas dans la prise, faire installer une nouvelle prise par un électricien compétent.

Cet appareil destiné à un circuit nominal de 120 V est muni d'une fiche de terre semblable à celle illustrée dans la figure. L'appareil doit être branché sur une prise ayant la même configuration que la fiche. Aucun adaptateur ne devrait être utilisé avec cet appareil.



2.3 Mise en marche/arrêt

La prise de courant de l'extracteur de poussière reste toujours sous tension, quelle que soit la position du commutateur principal.

⚠ MISE EN GARDE

Danger de blessure en cas de démarrage automatique d'un outil!

- » Éteindre l'outil électrique ou pneumatique avant de le brancher sur l'extracteur de poussière.

NOTE

Lorsque le commutateur est positionné sur >0<, la prise sur l'extracteur de poussière peut être utilisée comme rallonge.

Puissance raccordée :

Pour l'extracteur de poussière de la version 110 à 120 V + outil électrique raccordé (au maximum 400 W) 15 A au maximum.

2.3.1 Mise en marche de l'extracteur de poussière

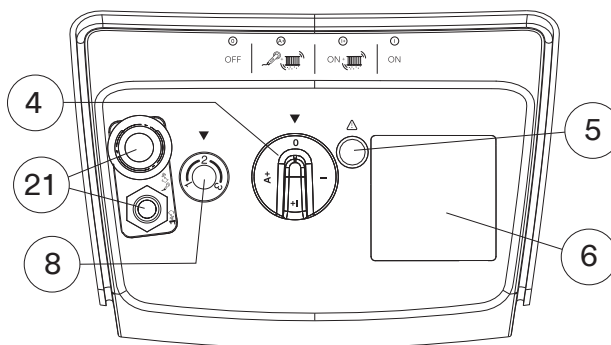
Pour les fonctions, voir « 1 Éléments de l'affichage et de commande ».

- » Insérer la fiche dans la prise électrique
- » Placer le commutateur sur la position >I+<.
- ✓ L'extracteur de poussière démarre immédiatement

ou :

- » **Placer le commutateur sur la position >A+<.**

✓ L'extracteur de poussière est en mode veille avec des outils électriques ou pneumatiques. L'outil peut être connecté soit à la prise (6) soit au connecteur pneumatique (21). L'extracteur de poussière démarre en même temps que l'outil.



2.3.2 Régler la puissance d'aspiration (HEPA É.-U.)

Ajuster la vitesse du moteur sur le sélecteur (8).

2.3.3 Éteindre l'extracteur de poussière

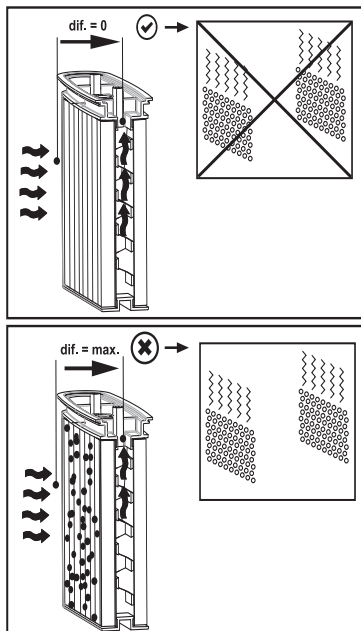
- » Placer le commutateur sur la position >0<.
- ✓ L'extracteur de poussière est éteint.
- » Après avoir éteint l'appareil, débrancher la fiche d'alimentation.
- » Enrouler le câble d'alimentation.
- » Ranger le câble d'alimentation sur le crochet de câble.
- » Ranger le tuyau d'aspiration en l'insérant dans le support* pour accessoires sur la paroi arrière du bac.
- » Placer ensemble les extrémités du tuyau d'aspiration de manière à ce qu'aucune particule de saleté ne s'échappe.
- » Retirer l'outil électrique ou pneumatique.

3 Aspiration de solides

- » Aspirer uniquement avec un filtre, un extracteur de poussière et des accessoires secs afin d'éviter que les poussières restent collées et ne s'agglutinent pas.
- » Lors de l'aspiration de suie, de ciment, de plâtre ou de poussières similaires : insérer un sac d'élimination en PE dans le bac à ordures.
- » Toujours utiliser des sacs d'élimination en combinaison avec les cartouches filtrantes plissées.

4 Nettoyage des filtres permanents

- L'extracteur de poussière est doté d'un système de nettoyage du filtre électromagnétique qui peut être utilisé pour nettoyer toute la poussière accrochée aux cartouches filtrantes.
- Les cartouches filtrantes plissées sont nettoyées alternativement l'une après l'autre, de manière à pouvoir travailler en continu.
- La surveillance permanente du niveau de remplissage des filtres par mesure de la différence de pression, pour un nettoyage du filtre parfaitement en fonction des besoins durant le fonctionnement.
- Cela assure un débit d'air constamment élevé durant le fonctionnement, également lors des types d'aspiration critiques.



REMARQUE

Aspirer des matériaux non durcis peut causer l'encrassement prématuré du filtre et entraînera des dommages.

5 Vidage de la cuve

REMARQUE

Uniquement admissible pour des poussières avec des valeurs limites > 1 mg/m³.

- » Mettre l'extracteur de poussière hors marche, débrancher la fiche d'alimentation.
- » Ouvrir les loquets.
- » Retirer le couvercle et le tuyau d'aspiration de la cuve.
- » Renverser la cuve pour la vider.

5.1 Mettre au rebut le sac filtrant en feutre (cas échéant)

- » Éteindre l'extracteur de poussière.
- » Débrancher la fiche d'alimentation.
- » Porter un masque respiratoire approprié.
- » Retirer le tuyau d'aspiration.
- » Fermer la prise d'admission avec le capuchon.
- » Ouvrir les loquets latéraux.
- » Retirer la section supérieure.
- » Enlever doucement la bride de la prise d'entrée et fermer la bride.
- » Jeter les matières accumulées conformément aux exigences légales.

5.2 Mettre au rebut le sac de vidage et d'élimination en PE

- » Placer le commutateur sur la position >I+<.
- ✓ Les cartouches filtrantes plissées sont nettoyées automatiquement.
- ✓ La poussière résiduelle dans les filtres tombe dans le sac.
- » Éteindre l'extracteur de poussière.
- » Débrancher la fiche d'alimentation.
- » Porter un masque respiratoire approprié.
- » Retirer le tuyau d'aspiration.
- » Fermer la prise d'admission avec le capuchon.
- » Ouvrir les loquets latéraux.
- » Retirer la section supérieure.

- » Fermer prudemment le sac de vidage et d'élimination en PE avec le ruban de scellement fourni.
- » Retirer prudemment la bride de la prise d'admission et la fermer.
- » Sortir prudemment le sac de vidage et d'élimination en PE de la cuve.
- » Jeter les matières accumulées conformément aux exigences légales.

5.3 Insérer le sac filtrant en feutre (le cas échéant)

REMARQUE

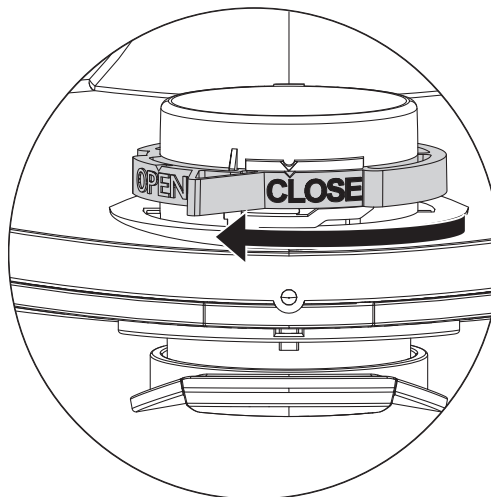
N'utiliser que des sacs filtrants en feutre pour l'aspiration de poussière.

- » Faire glisser complètement la bride sur la prise d'admission

REMARQUE

Utilisation de la glissière rotative

- » Tourner la glissière rotative rouge à l'intérieur pour positionner CLOSE (FERMER) sur la butée du repère ▲.



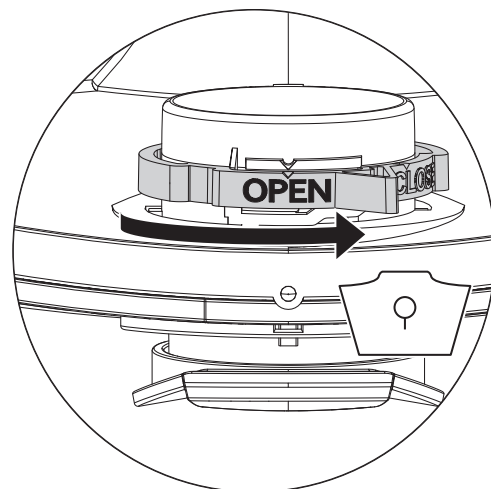
5.4 Insérer le sac de vidage et d'élimination en PE

REMARQUE

Utilisation de la glissière rotative

- » Tourner la glissière rotative rouge à l'intérieur pour positionner OPEN sur la butée du repère ▲.

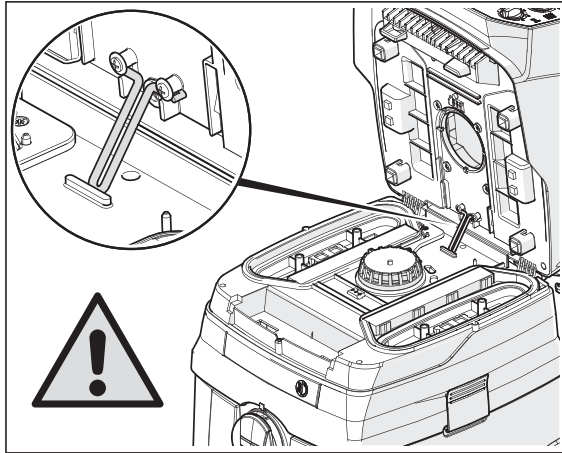
- » Faire glisser complètement la bride sur la prise d'admission.
- » Placer l'ouverture supérieure du sac sur le rebord de la cuve.



6 Changement du filtre

- » Nettoyer les cartouches filtrantes avant de les changer.
- » Tourner le verrou sur le loquet de 90° dans le sens horaire avec une pièce de monnaie ou un objet similaire et pousser le loquet vers l'arrière.
- » Relever le couvercle.

- » Après avoir retiré les cartouches filtrantes plissées, immédiatement les renfermer dans un sac plastique étanche aux poussières et les mettre au rebut conformément aux exigences en vigueur.
- » Mettre en place de nouvelles cartouches filtrantes plissées.
- » Relever l'étrier de verrouillage, rabattre le couvercle et l'encliqueter en appuyant légèrement dessus.



7 Changement du filtre de protection du moteur

REMARQUE

Un filtre de protection du moteur encrassé signale que les cartouches filtrantes sont défectueuses.

- » Remplacer les cartouches filtrantes plissées.
- » Remplacer le filtre de protection de moteur ou laver le filtre de protection de moteur sous l'eau courante, le sécher et le remettre en place.

⚠ AVERTISSEMENT

Pour réduire le risque de choc électrique, débrancher l'appareil avant le nettoyage ou le dépannage.

8 Transport

- » Retirer le tuyau d'aspiration.
- » Fermer la prise d'admission avec le capuchon.
- » Placer la section supérieure sur la cuve.
- » Fermer les loquets latéraux.
- » Placer les accessoires dans des sacs plastiques appropriés et fermer les sacs plastiques ou les placer dans le compartiment de rangement des outils.
- » Rassembler les extrémités du tuyau d'aspiration de manière à ce qu'aucune particule de saleté ne s'échappe.
- » Placer le tuyau autour de l'extracteur de poussière et le serrer sur la poignée.

9 Entretien

REMARQUE

Toujours mettre l'extracteur de poussière hors marche et débrancher la fiche d'alimentation avant d'effectuer des travaux d'entretien.

Pour des travaux d'entretien effectués par l'utilisateur, l'extracteur de poussière doit être

- » démonté,
- » nettoyé et
- » entretenu,

dans la mesure du possible, sans présenter des risques pour le personnel d'entretien et d'autres personnes.

9.1 Mesures de précaution

Des mesures de précaution appropriées comprennent :

- le nettoyage avant le démontage;
- des mesures préventives pour une ventilation forcée filtrée locale là où l'extracteur de poussière est démonté;
- le nettoyage de la zone d'entretien et
- un équipement de protection individuelle approprié.

9.2 Mesures de précautions pour extracteurs de poussière de classe H et M

La partie extérieure de l'extracteur de poussière doit être nettoyée en aspirant les poussières et en l'essuyant ou bien elle doit être traitée avec un matériau d'étanchéité avant d'être retirée de la zone dangereuse. Toutes les pièces de l'aspirateur doivent être considérées comme contaminées lorsqu'elles sont retirées de la zone dangereuse, et une manipulation appropriée doit être utilisée pour empêcher la distribution de poussière.

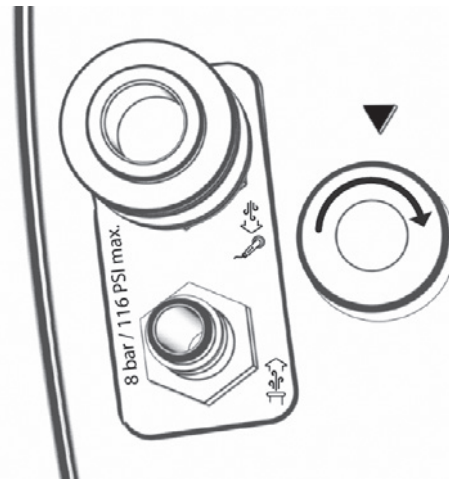
9.3 Éléments contaminés

Lors de l'exécution de travaux d'entretien ou de réparation, tous les objets contaminés n'ayant pas pu être suffisamment nettoyés, doivent être éliminés. Pour éliminer de tels éléments, il faut les placer dans des sacs imperméables, conformément aux exigences en vigueur pour l'élimination de tels déchets.

9.4 Tester l'efficacité de l'extracteur de poussière

Au moins une fois par an, le fabricant ou une personne formée doit effectuer un examen technique comprenant les filtres, l'étanchéité à l'air de l'extracteur de poussière, et les mécanismes de commande. En outre, l'efficacité des extracteurs de poussière de classe H doit être contrôlée au moins une fois par an ou plus fréquemment. La méthode d'essai qui peut être utilisée pour démontrer l'efficacité de l'appareil est définie dans la norme EN 60335-2-69 AA.22.201.2. Si l'essai n'est pas positif, il doit être répété avec un nouveau filtre principal. Le taux de renouvellement d'air L dans la pièce doit être suffisant si l'évacuation de l'air retourne dans la pièce. Pour d'autres remarques, se référer aux réglementations nationales respectives. Si la puissance d'aspiration de l'extracteur de poussière diminue et qu'elle n'augmente plus, même après avoir nettoyé les cartouches filtrantes plissées (à condition que la cuve soit vidée et que le sac filtrant en feutre ait été remplacé), il est nécessaire de remplacer les cartouches filtrantes plissées (voir « 6 Changement du filtre »).

10 Remplacer les raccords pneumatiques



- » Dévisser le raccord mâle et visser celui de remplacement : couple de 8 Nm max.
- » Dévisser le raccord femelle et visser celui de remplacement : couple de 8 Nm max.

REMARQUE

Ne jamais changer les deux raccords en même temps.

11 Nettoyage

REMARQUE

Des acides, de l'acétone et des solvants peuvent endommager certaines pièces de l'extracteur de poussière.

- » Nettoyer la cuve et les accessoires avec de l'eau.
- » Essuyer la section supérieure à l'aide d'un chiffon humide.
- » Laisser sécher la cuve et les accessoires.

12 Réparation

⚠ MISE EN GARDE

Des extracteurs de poussière réparés de manière incompétente présentent des dangers pour l'utilisateur!

- » Ne faire exécuter des travaux de réparation que par du personnel spécialisé, par exemple le service à la clientèle.

13 Dépannage et réparation

REMARQUE

Les dysfonctionnements ne peuvent pas toujours être attribués à des défauts de l'extracteur de poussière.

Défaut	Cause	Correction
Baisse de la puissance d'aspiration	Filtre sale	Nettoyer
	Sac filtrant plein	Changer
	Cuve pleine	Vider
	Filtre de protection du moteur colmaté	Nettoyer
	Buse, tube ou tuyau colmatés	Nettoyer
L'extracteur de poussière ne démarre pas	La fiche d'alimentation n'est pas branchée	Brancher la fiche d'alimentation sur une prise
	Pas de tension d'alimentation	Vérifier le fusible
	Câble d'alimentation défectueux	Remplacer
	Le couvercle n'est pas correctement fermé	Fermer
	L'extracteur de poussière est en mode veille >A+<	Placer le commutateur sur >I+< (voir «1 Éléments de l'affichage et de commande »)
L'extracteur de poussière ne démarre pas lorsque l'outil est mis en marche en mode >A+<	L'outil électrique n'est pas branché dans la prise d'alimentation de l'extracteur de poussière	Brancher la fiche d'alimentation dans la prise de l'extracteur de poussière
	Saleté bloquée dans le mécanisme de commutation de l'outil pneumatique	Rincer avec de l'alcool (verser 6 gouttes à travers le raccord mâle), incliner pendant 1 minute l'extracteur de poussière légèrement vers l'arrière de sorte que le panneau de commande soit parallèle au plancher. Faire fonctionner l'outil à pleine vitesse et sans charge pendant 2 à 3 minutes. Répéter les étapes si nécessaire. Contrôler la qualité de l'air.
	Pression d'entrée < 6,2 bar/90 lb/po ²	Augmenter la pression à 6,2 bar/90 lb/po ² au minimum
	Demande de débit d'air <120 l/min/4,23 pi ³ /min std	Augmenter la vitesse/la demande de débit d'air de l'outil
Le sac de vidage et d'élimination en PE est aspiré contre le filtre	Position incorrecte de la glissière rotative	Régler la glissière rotative sur la position OPEN (OUVRIR) ▲ (voir « 5.4 Insérer le sac de vidage et d'élimination en PE »)
Extracteur de poussière de M ou H : avec un sac filtrant inséré, de la poussière s'accumule dans la cuve	Position incorrecte de la glissière rotative	Régler la glissière rotative sur la position CLOSE (FERMER) ▲ (voir « 5.3 Insérez le sac filtrant en feutre (si disponible) »)
Indicateur de niveau de remplissage s'allume	filtre colmaté	Nettoyer ou changer
	le tuyau d'aspiration est bouché	Nettoyer
	la cuve est pleine	Vider

Ne pas essayer autre chose, contacter le service à la clientèle.

14 Données techniques

Tension	V	110 à 120
Fréquence	Hz	60
Puissance nominale	W	1 400
Puissance max*	W	1 800
Débit d'air**	l/s (m ³ /h)	74
Pression négative**	hPa/MG	255
Débit d'air***	l/s (m ³ /h)	42
Pression négative***	hPa/SE	235
Pression acoustique	dB(A)	69
Poids****	kg / lb	15,5 (16,7****) /34,17 (36,81****)
Dimensions L x l x h	cm / pi	53 x 40 x 56 (92****) / 1,74 x 1,31 x 1,83 (3,01****)
* La puissance maximale en combinaison de l'extracteur de poussière et de l'outil électrique		
** au ventilateur		
*** au tuyau		
**** poignée de poussée comprise		

Câble d'alimentation sur les extracteurs de poussière de classe M et H avec prise d'alimentation : SJOW 3x16 AWG (100-120V).

⚠ MISE EN GARDE

Pour réduire les risques de pollution de l'environnement :

- Éliminer toutes les poussières produites en respectant la réglementation en vigueur et/ou les indications de la fiche signalétique santé-sécurité.
- Ne pas jeter l'extracteur de poussière dans les ordures ménagères! L'extracteur de poussière usagé doit être collecté séparément et recyclé de manière écologique.
- La collecte séparée des produits et des emballages utilisés permet de recycler les matériaux. L'utilisation de matériaux recyclés aide à prévenir la pollution de l'environnement et réduit les besoins en matières premières.

Avis de non-responsabilité

Les produits industriels et professionnels de 3M sont conçus, étiquetés et emballés pour la vente à des clients des domaines industriel et professionnel qualifiés qui ont reçu une formation et qui utilisent les produits en milieu de travail. À moins d'indication contraire sur l'emballage ou dans la documentation applicables, ces produits ne sont pas conçus, étiquetés ou emballés pour la vente ou l'utilisation par les consommateurs (p. ex., pour la maison, pour un usage individuel, dans des écoles primaires ou secondaires, dans le cadre d'activités récréatives/sportives ou pour d'autres utilisations qui ne sont pas présentées sur l'emballage ou dans la documentation applicables) et doivent être sélectionnés et utilisés conformément à la réglementation et aux normes de santé et de sécurité (p. ex., l'OHSA des États-Unis, ANSI), ainsi que selon toute la documentation sur les produits, les directives d'utilisation, les mises en garde et autres restrictions, et l'utilisateur doit prendre les mesures nécessaires en vertu de tout rappel, toute action de terrain ou tout avis d'utilisation de produit. La mauvaise utilisation des produits industriels et professionnels de 3M peut causer des blessures, des maladies, la mort ou des dommages matériels. Pour obtenir de l'aide sur la sélection et l'utilisation des produits, consultez le professionnel de la sécurité, l'hygiéniste industriel ou autre expert en la matière de votre entreprise. Pour obtenir de plus amples renseignements sur les produits, consultez le site Web www.3M.com.

Garantie et recours limité : 3M garantit cet appareil contre les défauts de fabrication et de matériaux dans des conditions de fonctionnement normales pendant un (1) an à compter de la date d'achat. 3M N'OFFRE AUCUNE AUTRE GARANTIE, EXPRESSE OU IMPLICITE, Y COMPRIS, MAIS SANS S'Y LIMITER, TOUTE GARANTIE IMPLICITE DE QUALITÉ MARCHANDE OU D'ADAPTATION À UN USAGE PARTICULIER OU TOUTE GARANTIE IMPLICITE DÉCOULANT D'UNE NÉGOCIATION, D'UNE PERSONNALITÉ OU D'UN USAGE COMMERCIAL. Il incombe à l'utilisateur de déterminer si l'appareil 3M est adapté à un usage particulier et s'il convient à l'application de l'utilisateur. L'utilisateur doit utiliser l'appareil conformément à toutes les instructions d'utilisation applicables, aux précautions de sécurité et aux autres procédures indiquées dans le manuel d'utilisation pour avoir droit à la couverture de la garantie. 3M n'a aucune obligation de réparer ou de remplacer un appareil ou une pièce qui tombe en panne en raison de l'usure normale, d'un entretien inadéquat ou incorrect, d'un nettoyage inadéquat, d'une absence de lubrification, d'un environnement de fonctionnement inapproprié, d'utilitaires inappropriés, d'une erreur ou d'une mauvaise utilisation de la part de l'opérateur, d'une altération ou d'une modification, d'une mauvaise manipulation, d'un manque de soin raisonnable ou de toute cause accidentelle. Si un appareil ou une partie de celui-ci est défectueux pendant cette période de garantie, votre recours exclusif et la seule obligation de 3M seront, à la discrétion de 3M, de réparer ou de remplacer l'appareil ou de rembourser le prix d'achat.

Limitation de responsabilité : Sauf si la loi l'interdit, 3M et le vendeur ne seront pas responsables de toute perte ou de tout dommage découlant du produit 3M, qu'il soit direct, indirect, spécial, accessoire ou consécutif, quelle que soit la théorie juridique invoquée, y compris la garantie, le contrat, la négligence ou la responsabilité stricte.

Soumission d'une demande de garantie : Contactez votre revendeur pour soumettre une demande de garantie conformément aux restrictions énumérées ci-dessus. Veuillez noter que toutes les demandes de garantie sont soumises à l'approbation du fabricant. Veuillez à conserver votre facture dans un endroit sûr. Elle doit être soumise lors de la demande de garantie, dans un délai d'un an à compter de la date d'achat. Pour une assistance supplémentaire, veuillez appeler le 1-800-362-3550.

Réparation du produit après expiration de la garantie : La réparation des appareils 3M qui ne sont pas sous garantie est disponible auprès de 3M ou d'un représentant de réparation d'appareil agréé par 3M. Contactez votre distributeur d'appareil 3M pour plus de détails ou appelez le 1-800-362-3550.

Pour obtenir des informations sur les produits 3M, veuillez appeler :

800-3M HELPS (800-364-3577) sans frais
651-737-6501 ligne directe



Division des systèmes abrasifs
3M Centre
St. Paul, MN 55144-1000, É.-U.
www.3M.com/abrasives



en Class M vacuum devices are suitable for aspiration/clearing of dry, non-combustible dusts, wood dusts and hazardous dusts with workplace limit values of $\geq 0.1 \text{ mg/m}^3$.

fr Les centrale d'aspirateurs de la catégorie M sont appropriés pour l'aspiration de poussières sèches, poussières de bois non combustibles et de poussières dangereuses avec des valeurs limites $\geq 0,1 \text{ mg/m}^3$.



en Class H vacuum devices are suitable for aspiration/clearing of dry, non-combustible dusts, carcinogenic and pathogenic particles, wood dusts and toxic dusts with all work-place limit values.

fr Les centrale d'aspirateurs de la catégorie H sont appropriés pour l'aspiration de poussières sèches, non combustibles, de particules cancérigènes et pathogènes, de poussières de bois et de poussières dangereuses avec tout les valeurs limites.

WARNING: This machine contains harmful dust. Emptying and maintenance, including removing the dust collection container, may only be performed by specialist staff who are wearing the appropriate personal protective equipment. Never operate without a complete filtration system.

AVERTISSEMENT : Cet appareil contient de la poussière nocive pour la santé. Les procédures de vidage et d'entretien, y compris l'élimination des collecteurs de poussière, ne doivent être effectuées que par du personnel spécialisé portant un équipement de protection adapté. Ne pas utiliser l'appareil sans le système de filtration complet.



Abrasive Systems Division
3M Center
St. Paul, MN 55144-1000 U.S.A.
www.3M.com/abrasives

© 3M 2022.
3M and 3M Xtract are trademarks of 3M Company.