

# Case study: Anywire and 3M collaborate to create a breakthrough factory automation solution

## About AnywireASLINK

In the spirit of continuous improvement, Anywire, a group company of Mitsubishi Electric, wanted to enhance its already successful AnywireASLINK solution.

The AnywireASLINK is a sensor-level network that connects controllers, displays and sensors to guide preventive maintenance with “sensing level monitoring.” The current solution gave customers improved productivity plus time and space savings. However, the team at Anywire identified features that could make the system even better:

1. Ability to use any general-purpose cable
2. Ability to transmit power and signals over two-core cable
3. Topology-free: support of T-branching, multiple drops, star wiring, and tree wiring
4. High noise immunity
5. Ease of connecting and branching networks

## Solution

One of Anywire’s challenges was finding the right connector, and for this they turned to the team at 3M. Together, Anywire and 3M developed a breakthrough “eco branch” system using 3M™ Link Connectors.

These connectors helped to address several goals with their simple and time-saving installation process and connector configurations.

## Installation of a 3M™ Link Connector



\* Connector component cost savings based on comparison to parallel design using M12 connectors.

30%



Total system  
cost reduction\*

80%



Connector assembly  
time savings

50%



Connector component  
cost reduction\*

## Case study: Anywire and 3M collaborate to create a breakthrough factory automation solution

Anywire’s “eco branch” system offers resource savings, space savings, and cost savings and is guided by the five features above. 3M™ Link Connectors were key to turning these plans into reality.

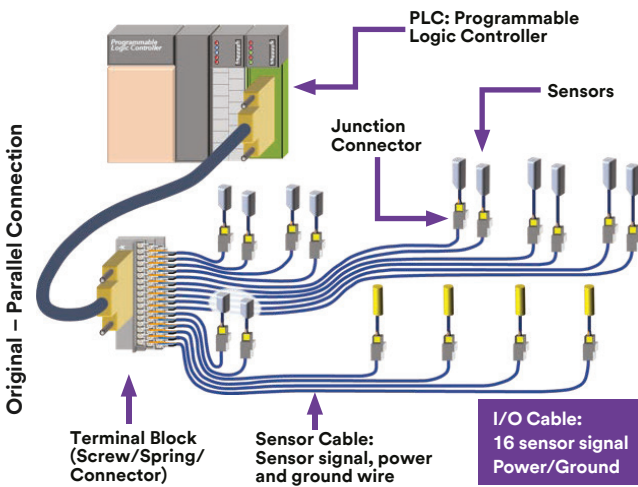
### Any general-purpose cable can be used

By allowing standard cabling to be used, customers were now able to utilize existing cabling. Branching in the middle of wiring is made possible through the IDC technology used in 3M™ Link Connectors.

### Topology-free

3M™ Link Connectors support line extensions, T-tap branching and H-tap branching. These options allow

### Connection using Terminal block



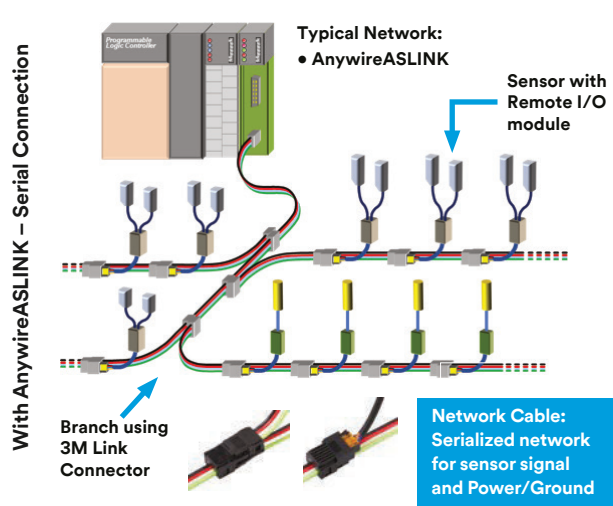
Anywire’s customers to optimize their system for performance and material utilization.

### Ease of connecting and branching networks

Use of the 3M™ Link Connector also saves installation time compared to traditional connectors. In addition, because there is no need to strip wiring jackets, waste is virtually eliminated from the process.

The different connector configurations, which help to optimize the system, include a detachable, two-piece style, a one-piece style with IPX4 option, and one that allows direct attachment to a sensor.

### Network using 3M™ Link Connector



#### Connector Comparison

- Assembly time reduced by 80%+
- Component costs reduced by ~50% with simplified design (vs. M12)

#### System Comparison

- Total cost reduced by ~30%

**Regulatory:** For regulatory information about this product, contact your 3M representative. [https://www.3m.com/3M/en\\_US/company-us/SDS-search/](https://www.3m.com/3M/en_US/company-us/SDS-search/)

**Technical Information:** The technical information, recommendations and other statements contained in this document are based upon tests or experience that 3M believes are reliable, but the accuracy or completeness of such information is not guaranteed.

**Product Use:** Many factors beyond 3M’s control and uniquely within user’s control can affect the use and performance of a 3M product in a particular application. Given the variety of factors that can affect the use and performance of a 3M product, user is solely responsible for evaluating the 3M product and determining whether it is fit for a particular purpose and suitable for user’s method of application.

**Warranty, Limited Remedy, and Disclaimer:** Unless an additional warranty is specifically stated on the applicable 3M product packaging or product literature, 3M warrants that each 3M product meets the applicable 3M product specification at the time 3M ships the product. **3M MAKES NO OTHER WARRANTIES OR CONDITIONS, EXPRESS OR IMPLIED, INCLUDING, BUT NOT LIMITED TO, ANY IMPLIED WARRANTY OR CONDITION OF MERCHANTABILITY OR FITNESS FOR A PARTICULAR PURPOSE OR ANY IMPLIED WARRANTY OR CONDITION ARISING OUT OF A COURSE OF DEALING, CUSTOM OR USAGE OR TRADE.** If the 3M product does not conform to this warranty, then the sole and exclusive remedy is, at 3M’s option, replacement of the 3M product or refund of the purchase price.

**Limitation of Liability:** Except where prohibited by law, 3M will not be liable for any loss or damage arising from the 3M product, whether direct, indirect, special, incidental or consequential, regardless of the legal theory asserted, including warranty, contract, negligence or strict liability.



**Electronics Materials Solutions Division**  
3M Singapore, 10 Ang Mo Kio Street 65,  
Techpoint #01-01, Singapore 569059

Web 3m.com.sg/factoryautomation  
Phone +65 6450 8888

©3M 2022. All rights reserved.  
Issued: 6/21 16680HB  
60-5005-0299-6

3M is a trademark of 3M.  
Used under license by 3M subsidiaries and affiliates.

Scan here to connect with us

