

For Industrial use only.  
Not intended for consumer sale or use.

# 3M™ Standard Assembly Press, 3640

## Instructions

---

### Instructions for the use and adjustment of the 3M Assembly Press 3640

#### General

The 3M Assembly Press 3640 has been designed specifically for the assembly of 3M electronic connectors. All 3M Locator Plates, Applicators, Platens and Cable Cutters adapt to the 3M Assembly Press 3640 to assist in the assembly of a wide variety of connector and harness assemblies. All of these items are purchased independently from the 3M Assembly Press 3640.

The 3M Assembly Press 3640 is a manually operated portable tool that also can be fastened permanently to a work station.

Set up requires a Locator Plate which is ordered separately. Shipped with each locator plate is the appropriate Shut Height Gauge.

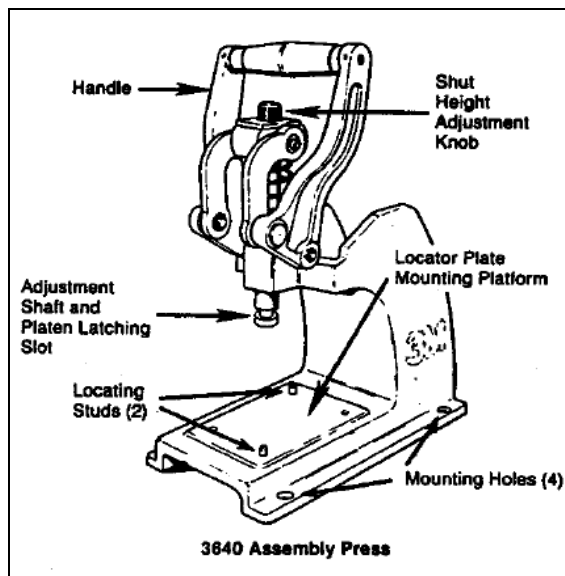


Figure 1

**CAUTION:** Some connectors are assembled using a Crimp Bar equipped with a sharp cut off blade instead of a Platen. Please use care in handling. The Crimp Bar is simply pressed onto the press shaft. To facilitate wire preparation, it is a good idea to turn the Crimp Bar perpendicular to the connector length such that the blade faces away from you.

**CAUTION:** Be sure the press head is in its upright and secured position when the machine is being transported. Remove all accessories before moving the press. Only lift the press by the base, do not lift or carry it by the handle.

# 3M™ Standard Assembly Press, 3640 Instructions

---

## Procedures for Adjusting Shut Height:

Shut height settings are guidelines for proper termination depth. The adjustment settings are specified on the chart provided.

1. The shut height adjustment is made from the base of the assembly press without the locator plate or platen in place.
2. Lower the handle of the press until the handle casting makes contact with the press casting. (See Figure 3)
3. Place the shut height gauge across the press base. (See Figure 2)
4. Rotate the shut height to lower or raise adjustment feature until the bottom of the shaft contacts the desired position on the shut height gauge. (See Figure 3)
5. Install the locator plate and the appropriate platen on the press. The platen should be positioned parallel with the connector body and cover.

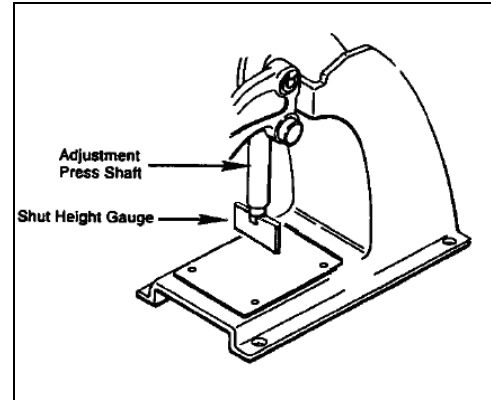


Figure 2

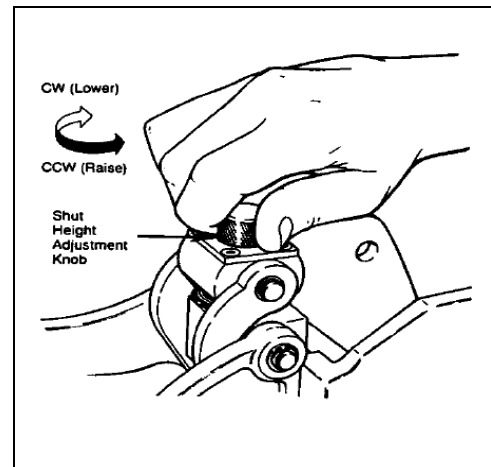


Figure 3

# 3M™ Standard Assembly Press, 3640

## Instructions

### 3771 Base Plate (Optional):

The 3771 Base Plate provides additional stabilization for the 3M Assembly Press 3640 while maintaining its portable features. It is available from your 3M distributor. (See Figure 4)

### Maintenance:

The press should be kept clean and lightly oiled periodically. Use a few drops of S.A.E. 10 oil on the six pivot points and press shaft at least every 5,000 connections. It is not necessary to disassemble the press for lubrication.

### Shut Height Gauge – Diagram

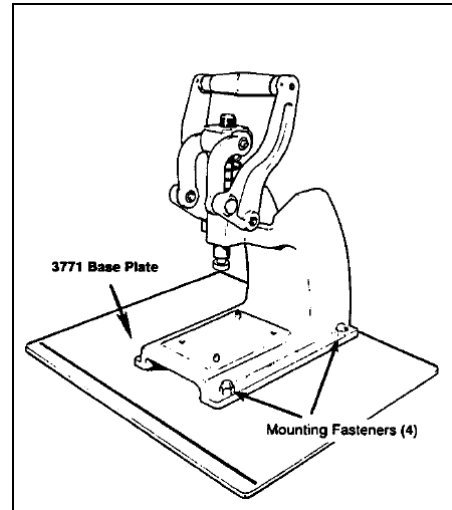
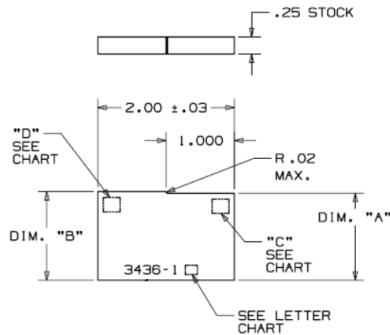


Figure 4

### Shut Height Gauge - Chart

Shut Height Gauge 3436-1X	Part Number	Dim. "A"	Dim. "B"	"C"	"D"	Locator Plates 3443-XX
B	78-8118-0892-8	1.250	1.275	17	17 1/2	107N, 87, 91, 110, 100, 101M, 12, 13, 43, 71
C	78-8118-0893-6	1.425	1.450	21	21 1/2	106, 58
D	78-8118-0894-4	1.000	1.025	12	12 1/2	6, 94, 117, 125, 126
E	78-8118-0904-1	.950	.975	11	11 1/2	2, 8, 31
F	78-8118-0905-8	1.150	1.175	15	15 1/2	112, 118
G	78-8118-0906-6	1.050	1.075	13	13 1/2	20
H	78-8118-0907-4	1.275	1.300	17 1/2	18	113, 88
J	78-8118-0908-2	1.325	1.350	18 1/2	19	63
K	78-8118-0909-0	.750	.775	7	7 1/2	15, 16, 10, 47
L	78-8118-0910-8	.800	.825	8	8 1/2	33, 34
M	78-8118-0911-6	.850	.875	9	9 1/2	19
N	78-8118-0912-4	1.100	1.125	14	14 1/2	96

# 3M™ Standard Assembly Press, 3640

## Instructions

---

**Regulatory:** For regulatory information about this product, visit [3M.com/regs](http://3M.com/regs) or contact your 3M representative.

**Technical Information:** The technical information, recommendations and other statements contained in this document are based upon tests or experience that 3M believes are reliable, but the accuracy or completeness of such information is not guaranteed.

**Product Use:** Many factors beyond 3M's control and uniquely within user's control can affect the use and performance of a 3M product in a particular application. Given the variety of factors that can affect the use and performance of a 3M product, user is solely responsible for evaluating the 3M product and determining whether it is fit for a particular purpose and suitable for user's method of application.

**Warranty, Limited Remedy, and Disclaimer:** Unless an additional warranty is specifically stated on the applicable 3M product packaging or product literature, 3M warrants that each 3M product meets the applicable 3M product specification at the time 3M ships the product. 3M MAKES NO OTHER WARRANTIES OR CONDITIONS, EXPRESS OR IMPLIED, INCLUDING, BUT NOT LIMITED TO, ANY IMPLIED WARRANTY OR CONDITION OF MERCHANTABILITY OR FITNESS FOR A PARTICULAR PURPOSE OR ANY IMPLIED WARRANTY OR CONDITION ARISING OUT OF A COURSE OF DEALING, CUSTOM OR USAGE OR TRADE. If the 3M Product does not conform to this warranty, then the sole and exclusive remedy is, at 3M's option, replacement of the 3M product or refund of the purchase price.

**Limitation of Liability:** Except where prohibited by law, 3M will not be liable for any loss or damage arising from the 3M product, whether direct, indirect, special, incidental or consequential, regardless of the legal theory asserted, including warranty, contract, negligence or strict liability.

3M Company  
Electronics Materials Solutions Division  
13011 McCallen Pass, Bldg. C  
Austin, TX 78753-5380  
1-800-225-5373  
[www.3M.com/interconnect](http://www.3M.com/interconnect)



**3M Electronics Materials Solutions Division**  
Interconnect Products  
13011 McCallen Pass, Bldg. C  
Austin, TX 78753-5380  
[www.3Mconnectors.com](http://www.3Mconnectors.com)

3M is a trademark of 3M Company.  
Please recycle.  
©3M 2021. All rights reserved.  
RIA-2217B-E

78-8136-3856-2 Rev B