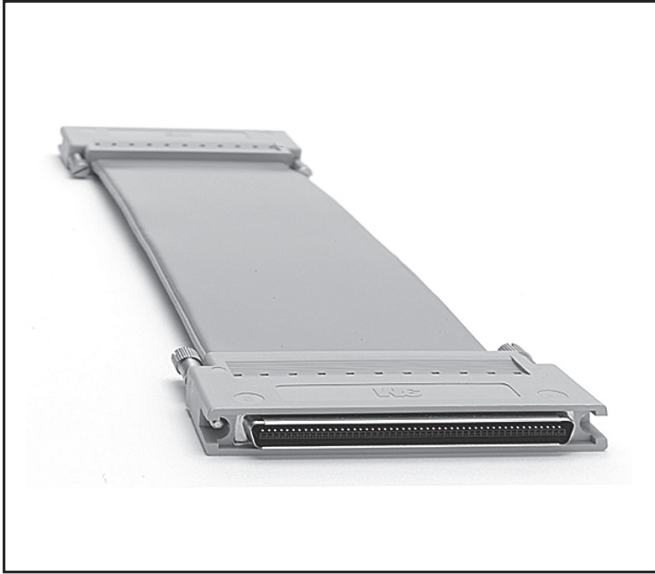


# 3M™ Pleated Foil I/O Cable Assemblies

MDR Series



- Mates with standard 3M MDR Boardmount Headers
- Pleated copper foil provides a 360 degree shield

## Overmolded Assemblies

- Available in 68, 80 and 100 Positions
- Molded-in strain relief
- Can utilize either #4-40 or M2.5 thumbscrews
- Supplied as a complete assembly only

## Metal Shell Assemblies

- Metal shells available in 20, 26, 36, 40, 50, 68, 80 and 100 Positions
- Offer quick release feature on 20 to 68 position for ease of installation
- 68, 80 and 100 positions available with thumbscrews
- RoHS Compliant. See the Regulatory Information Appendix (RIA) in the "RoHS Compliance" section of [www.3Mconnector.com](http://www.3Mconnector.com) for compliance information (RIA E1 and C1 apply)

Date Modified: October 20, 2010

TS-0804-B  
Sheet 1 of 4

---

## Physical

(Connector) Technical Specification: See TS-0423 for .050" Mini D-Ribbon (MDR)

(Cable) Construction: 0.025" Pleated Foil Shielded, 30 AWG (solid), TPE Primary

50 Ohm Technical Specifications: See TS-0285 for 90101 - Gray PVC Jacket  
See TS-0402 for 90201 - Gray TPE Cover  
See TS-0876 for 93101 - Low Skew, Gray PVC Jacket

75 Ohm Technical Specifications: See TS-0451 for 90111 - Gray PVC Jacket  
See TS-0598 for 90211 - Gray TPE Cover

(Shells) Overmolded: 68, 80 and 100 positions, thumbscrews  
Glass Reinforced Polyester (PBT) - Gray

Metal: See TS-0655 - 20, 26, 36 and 40 position, latching  
See TS-0396 - 50 position, latching  
See TS-0355 - 68 position, latching  
See TS-0666 - 68, 80 and 100 position, thumbscrew

(Jackscrews) Material: Stainless Steel

---

## Electrical

Voltage Rating: 30 V

Impedance: See Pleated Foil Cable (PFC) Specifications

---

## Environmental

Temperature Rating: 75°C maximum

\*"RoHS Compliant 2005/95/EC" means that the product or part ("Product") does not contain any of the substances in excess of the maximum concentration values in EU Directive 2002/95/EC, as amended by Commission Decision 2005/618/EC, unless the substance is in an application that is exempt under EU RoHS. This information represents 3M's knowledge and belief, which may be based in whole or in part on information provided by third party suppliers to 3M.

In the event any product is proven not to conform with 3M's Regulatory Information Appendix, then 3M's entire liability and Buyer's exclusive remedy will be in accordance with the Warranty stated below.

UL File No.:E86982

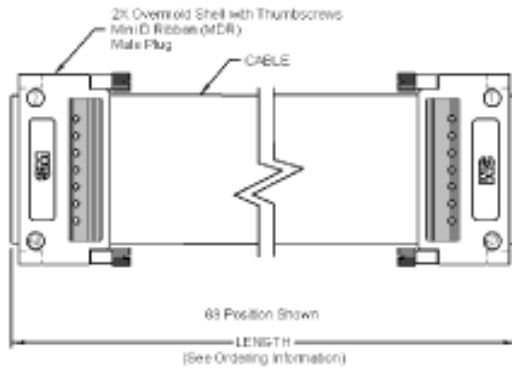
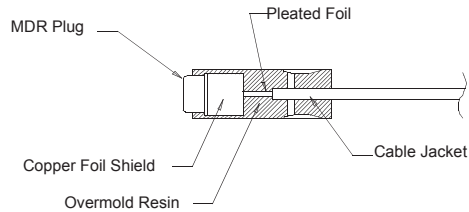
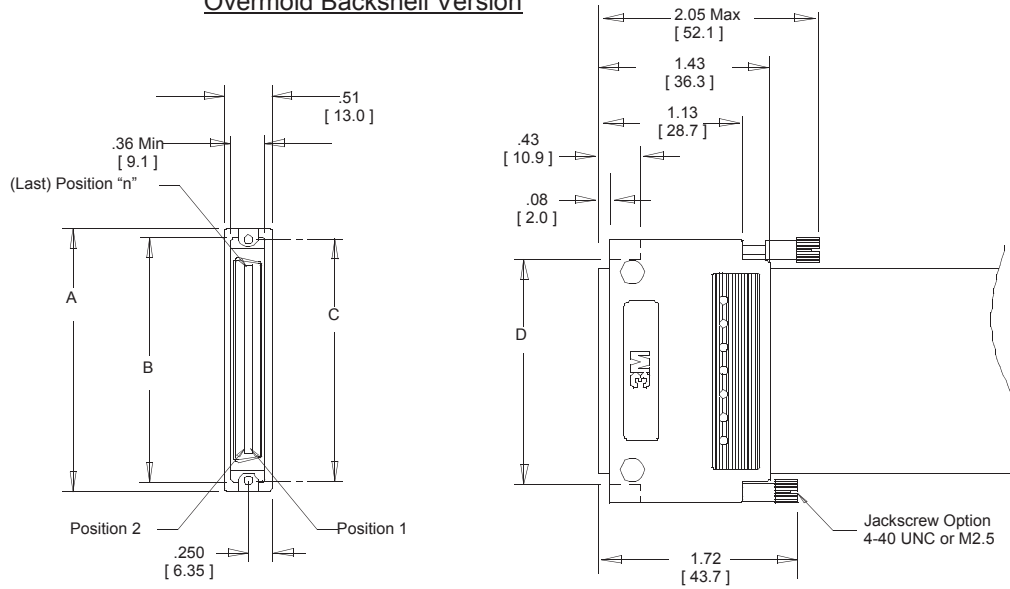
# 3M™ Pleated Foil I/O Cable Assemblies

MDR Series

Overmolded Shell with Thumbscrews				
Contact Quantity	Dimension A	Dimension B	Dimension C	Dimension D
68	2.52 [ 64.0 ]	2.32 [ 58.9 ]	2.22 [ 56.4 ]	2.11 [ 53.6 ]
80	2.81 [ 71.4 ]	2.61 [ 66.3 ]	2.58 [ 65.5 ]	2.41 [ 61.2 ]
100	3.32 [ 84.3 ]	3.12 [ 79.2 ]	3.08 [ 78.2 ]	2.91 [ 73.9 ]

Assembly Tolerances  
 Length and Tolerance  
 <36": ±1"  
 36" to 120": ±2"  
 120" to 240": ±4"  
 >240": ±6"  
 Minimum Length: 8" [203 mm]

## Overmold Backshell Version

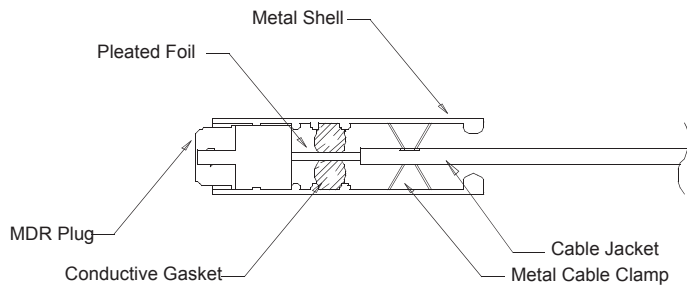


Inch [mm]			
Tolerance Unless Noted			
	.0	.00	.000
Inch	±.1	±.01	±.005
[ ] Dimensions for Reference Only			

TS-0804-B  
 Sheet 2 of 4

# 3M™ Pleated Foil I/O Cable Assemblies

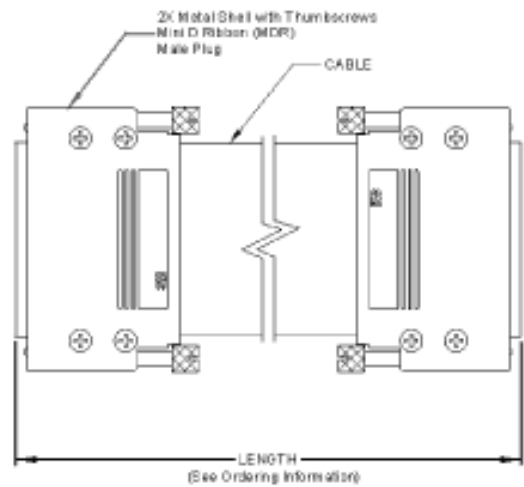
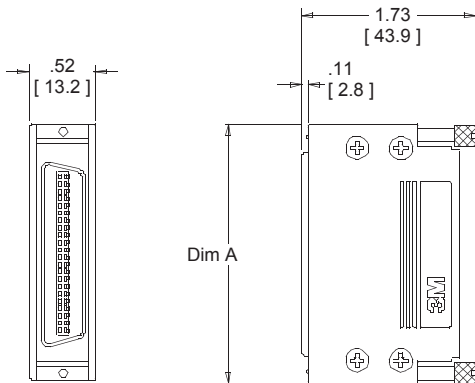
MDR Series



Assembly Tolerances  
 Length and Tolerance  
 <36" : ±1"  
 36" to 120" : ±2"  
 120" to 240" : ±4"  
 >240" : ±6"  
 Minimum Length:  
 68-100 Position: 8" [203 mm]

## Metal Backshell with Thumbscrews Version

Metal Shell with Thumbscrews	
Contact Quantity	Dimension A
68	2.52 [ 64.0 ]
80	2.82 [ 71.6 ]
100	3.32 [ 84.3 ]



Note: There are two connector terminations available for Metal Shell Versions (see ordering information).

1. MS = Standard Connection for GSGSG, with Signals on wires 2, 4, 6, (etc.) places all the Grounds in the lower (Circle) row of the connector and all the signals in the upper (Triangle) row of the connector.
2. LS = Low Crosstalk Connection for GSGSG, with signals on wires 2, 4, 6, (etc.) places a GSGSG pattern on both the lower (Circle) and upper (Triangle) rows of the connector.
3. Metal junction shells come with either 2 or 4 screws, see individual tech sheet for details.

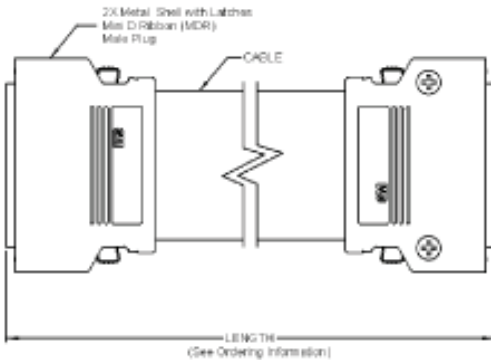
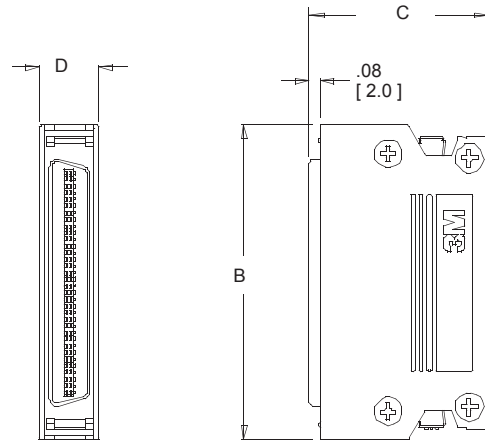
TS-0804-B  
 Sheet 3 of 4

# 3M™ Pleated Foil I/O Cable Assemblies

MDR Series

Metal Shell with Latches			
Contact Quantity	Dimension B	Dimension C	Dimension D
20	1.17 [ 29.7 ]	1.55 [ 39.4 ]	.42 [ 10.7 ]
26	1.31 [ 33.3 ]	1.50 [ 38.1 ]	
36	1.57 [ 39.9 ]		
40	1.67 [ 42.4 ]	1.35 [ 34.3 ]	.46 [ 11.7 ]
50	1.93 [ 49.0 ]		
68	2.37 [ 60.2 ]		

## Metal Backshell with Latching Version



Inch [mm]			
Tolerance Unless Noted			
	.0	.00	.000
Inch	±.1	±.01	±.005
[ ] Dimensions for Reference Only			

Assembly Tolerances  
 Length and Tolerance  
 <36" : ±1"  
 36" to 120" : ±2"  
 120" to 240" : ±4"  
 >240" : ±6"  
 Minimum Length:  
 20-50 Position: 6" [152 mm]  
 68-100 Position: 8" [203 mm]

	50 Ohm, PVC Jacket, 90101/XX	50 Ohm, TPE Cover, 90201/XX	50 Ohm, PVC Jacket Low Skew, 93101/XX	75 Ohm, PVC Jacket, 90111/XX	75 Ohm, TPE Cover, 90211/XX
Over Molded or Metal Backshell with Thumbscrews	X	X	X	X	X
68 - 100 position					
Metal Backshell with Latches	X	X			X
20 - 68 position					

## Ordering Information

**XX - XXXXXG - XXX - XX - XXX.X**

Body Type

OM=Overmold

LS=Metal Shell, Low Crosstalk Connection

MS=Metal Shell, Standard Connection

Cable Impedance and Jacket Type

50 Ω

90101= Thick Jacket

90201= Thin Cover

93101= Thick Jacket, Low Skew

75 Ω

90111= Thick Jacket

90211= Thin Cover

Conductor/  
Contact Quantity  
( See Table )

Jackscrew  
4=4-40 Thread  
M=M2.5 Thread  
L=Latch

Shim  
N=No Shim (Overmold Only)  
0=Placeholder (metal shell only)

Length in Inches

Minimum lengths, 6" [152 mm] for 20 - 50 position cables, and 8" [203 mm] for 68 - 100 position cables

TS-0804-B  
Sheet 4 of 4

**3M**

Electronic Solutions Division  
 Interconnect Solutions  
<http://www.3Mconnector.com>

3M is a trademark of 3M Company.  
 For technical, sales or ordering information call  
**800-225-5373**

**Important Notice**

All statements, technical information, and recommendations related to 3M's products are based on information believed to be reliable, but the accuracy or completeness is not guaranteed. Before using this product, you must evaluate it and determine if it is suitable for your intended application. You assume all risks and liability associated with such use. Any statements related to the product which are not contained in 3M's current publications, or any contrary statements contained on your purchase order shall have no force or effect unless expressly agreed upon, in writing, by an authorized officer of 3M.

**Warranty; Limited Remedy; Limited Liability.**

This product will be free from defects in material and manufacture for a period of one (1) year from the time of purchase. **3M MAKES NO OTHER WARRANTIES INCLUDING, BUT NOT LIMITED TO, ANY IMPLIED WARRANTY OF MERCHANTABILITY OR FITNESS FOR A PARTICULAR PURPOSE.** If this product is defective within the warranty period stated above, your exclusive remedy shall be, at 3M's option, to replace or repair the 3M product or refund the purchase price of the 3M product. **Except where prohibited by law, 3M will not be liable for any indirect, special, incidental or consequential loss or damage arising from this 3M product, regardless of the legal theory asserted.**

**3M Electronics Solutions Division**

6801 River Place Blvd.  
Austin, TX 78726-9000  
U.S.A.  
1-800-225-5373  
[www.3Mconnector.com](http://www.3Mconnector.com)

Please recycle. Printed in USA.  
© 3M 2010. All rights reserved.  
RIA-2217B-E

3M is a trademark of 3M Company.