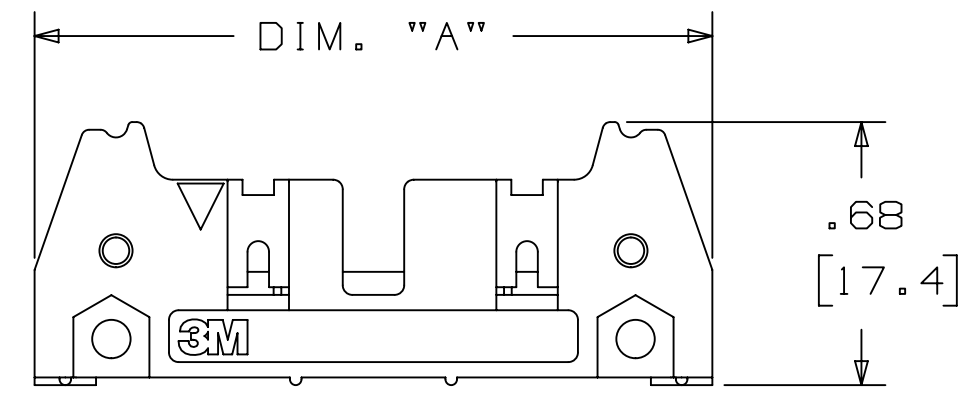
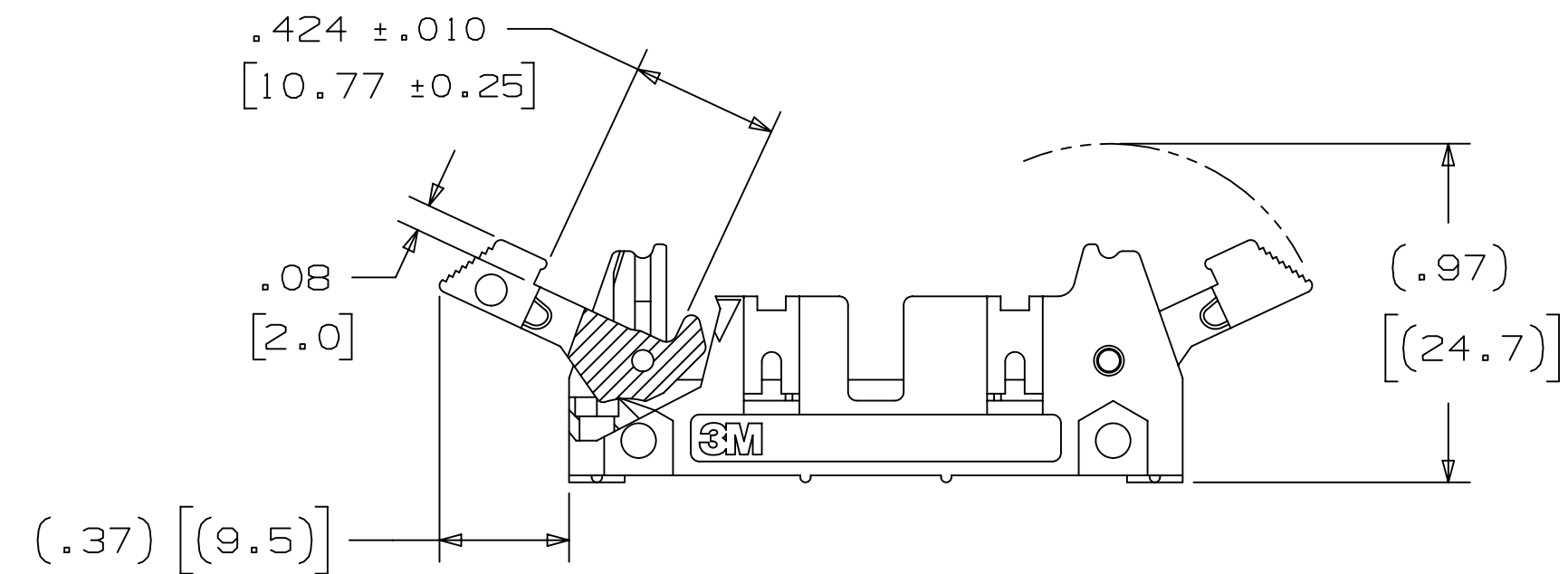


3M™ THREE-WALL HEADER, 3000 SERIES

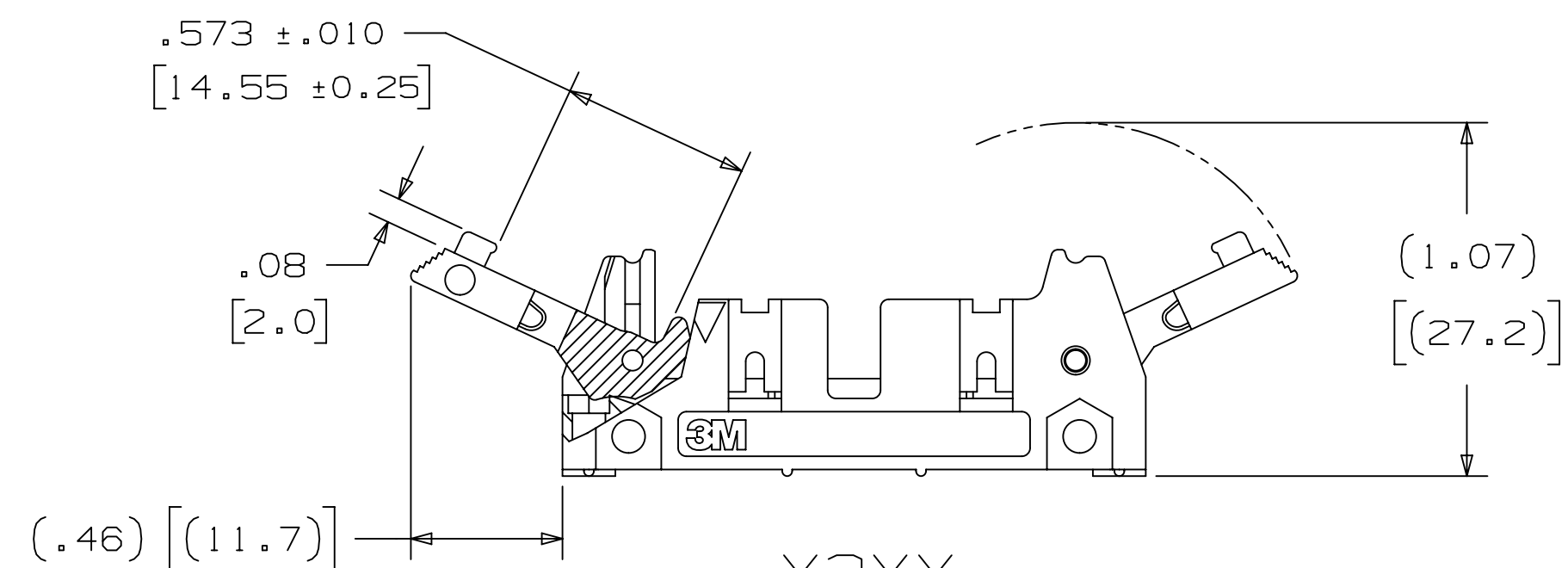
.100" X .100" LATCH/EJECTOR, STRAIGHT AND RIGHT ANGLE



-X0XX
HEADER WITHOUT LATCH/EJECTOR



-X2XX
HEADER WITH SHORT LATCH/EJECTOR
FOR 3M SOCKETS WITHOUT STRAIN RELIEF



-X3XX
HEADER WITH LONG LATCH/EJECTOR
FOR 3M SOCKETS WITH STRAIN RELIEF

- * MILITARY (WITH 3M'S N3518 POLARIZING KEY) AND CENTERBUMP POLARIZATION.
- * LOW PROFILE.
- * OPTIONAL EJECTOR LATCHES.
- * MOUNTING HOLES FOR SECURING HEADER TO BOARD.
- * THREE WALL SHROUD PROVIDES DESIGN FLEXIBILITY.
- * STRAIGHT, RIGHT ANGLE.
- * SOLDER TAIL OPTIONS.
- * OPTIONAL POLARIZING POSTS AVAILABLE.
- * HIGH TEMPERATURE INSULATOR SUITABLE FOR "NO LEAD" SOLDERING OPERATIONS.
- * SUITABLE FOR REFLOW SOLDERING USING "PASTE IN HOLE" TECHNIQUES.

- NOTES
1. REGULATORY INFORMATION: VISIT 3M.com/regs
 2. IN THE EVENT OF CONFLICT BETWEEN THIS DATA AND THAT CONTAINED IN THE PRODUCT SPECIFICATION, THE PRODUCT SPECIFICATION TAKES PRECEDENT.
 3. NOTCHES A & C WILL ACCOMMODATE 3M POLARIZING KEY: N3518).
 4. MOUNTING HARDWARE: FROM SOLDER SIDE OF PC BOARD USE #4-24 THREAD CUTTING SCREW (3M PART #3341-5) WITH Ø.116 [2.95] MOUNTING HOLE. FOR RIGHT ANGLE VERSION ONLY: #2-56 BOLT AND NUT (3M PART #3341-6) WITH Ø.106 [2.69] MOUNTING HOLE MAY BE USED.

2 PHYSICAL :

INSULATOR: HIGH TEMP GLASS FILLED POLYESTER (PCT)
 MATERIAL: UL94V-0
 FLAMMABILITY: UL94V-0
 COLOR: BLACK
 CONTACT: COPPER ALLOY
 PLATING: 50µ" - 150µ" [1.27µm - 3.81µm] NICKEL-OVERALL
 UNDER PLATING: 30µ" [0.76µm] AVG. GOLD
 WIPING AREA: (SEE ORDERING INFORMATION)
 SOLDER TAILS: 3M LOGO, PART IDENTIFICATION NUMBER AND ORIENTATION TRIANGLE

2 ELECTRICAL :

CURRENT RATING: 5.00A, 1 CONTACT POWERED
 3.00A, 6 CONTACTS POWERED
 1.75A, ALL CONTACTS POWERED
 RATING CONDITIONS: EIA-364-070 METHOD 2, 30°C MAXIMUM TEMPERATURE RISE, 20% DERATED. REFERENCE APPROPRIATE 3M PRODUCT SPECIFICATION FOR DETAILED CURRENT DERATING CURVES.
 INSULATION RESISTANCE: >1 X 10⁹Ω AT 500 V_{DC}
 WITHSTANDING VOLTAGE: 1,000V_{RMS} AT SEA LEVEL

2 ENVIRONMENTAL :

TEMPERATURE RATING: -55°C TO 105°C
 PROCESS RATING: 260°C, PER J-STD-020C, SINGLE PASS
 MOISTURE SENSITIVITY LEVEL: 1 (PER J-STD-020C SINGLE PASS)

ORDERING INFORMATION

X3XXX-XXXXXX

N = HIGH TEMP BLACK (PCT)/(RB PLATING REQ'D)
 PLATING: RB = 200µ" [5.08µm] MATTE TIN TAILS
 3M PART NUMBER: (SEE TABLE 1)
 PIN CONFIGURATION:
 1 = RIGHT ANGLE SOLDER TAILS
 2 = STRAIGHT SOLDER TAILS
 LATCH/EJECTOR SYSTEM:
 0 = NO LATCH/EJECTOR INSTALLED
 2 = SHORT ROLL PIN LATCH/EJECTORS
 3 = LONG ROLL PIN LATCH/EJECTORS

DIMENSIONS: INCHES [MM]
 [MM] IS REF. ONLY

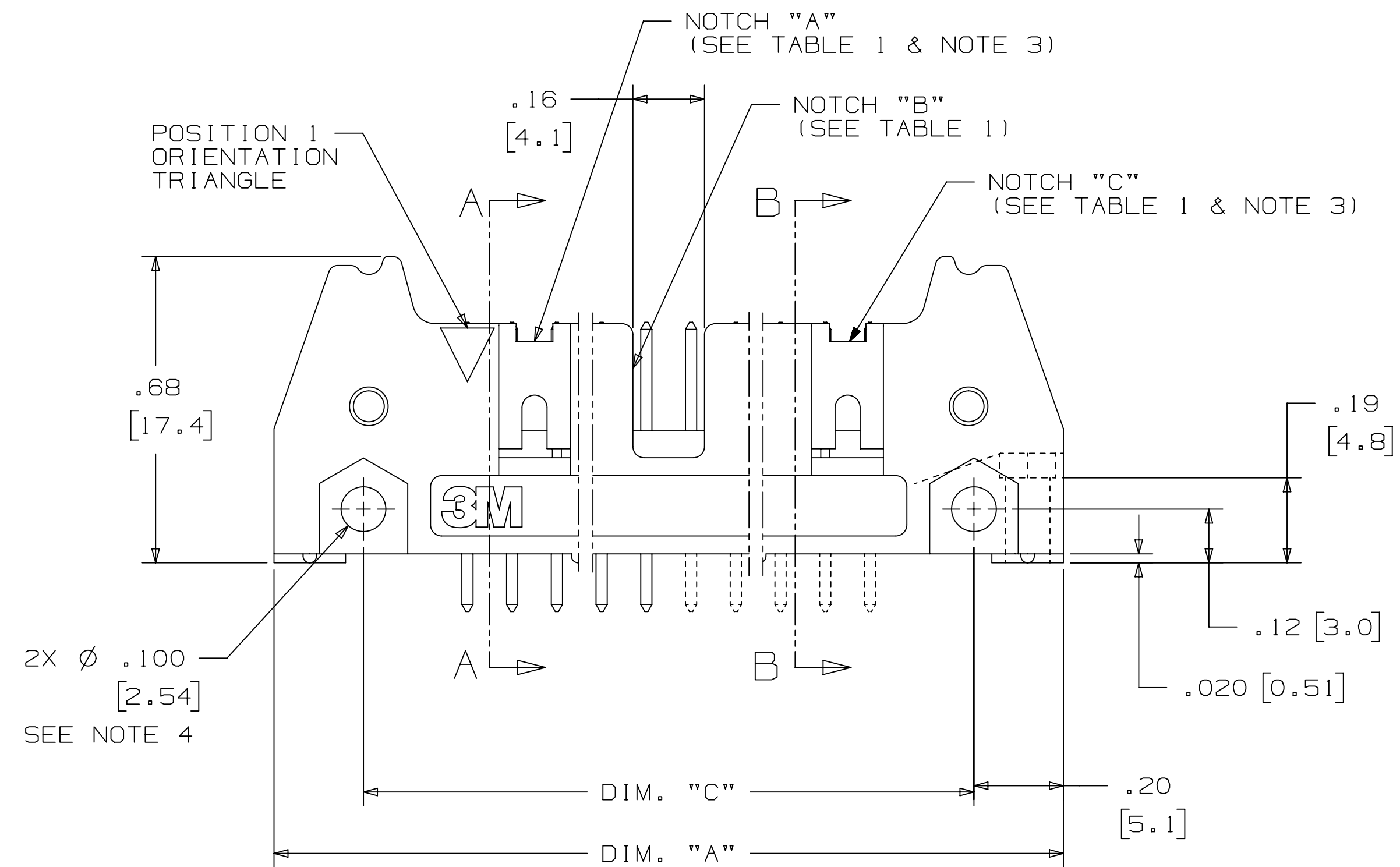
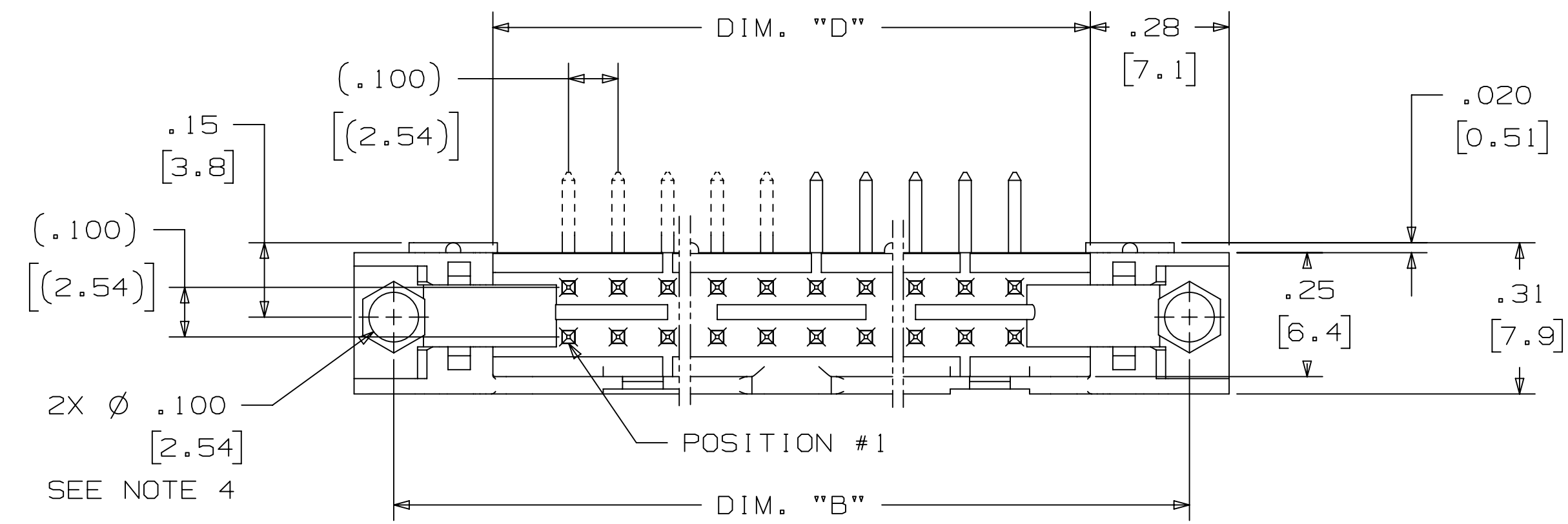
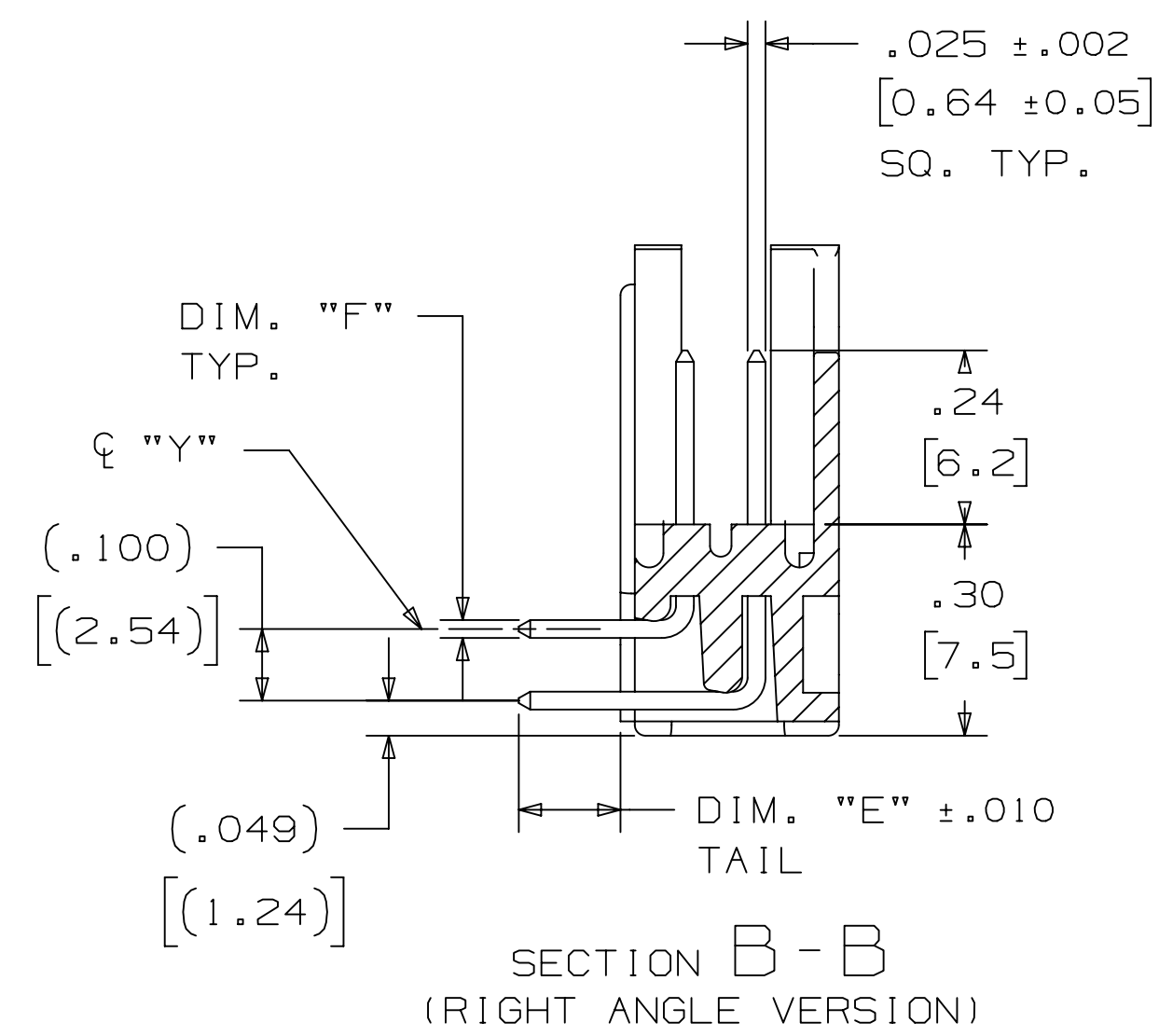
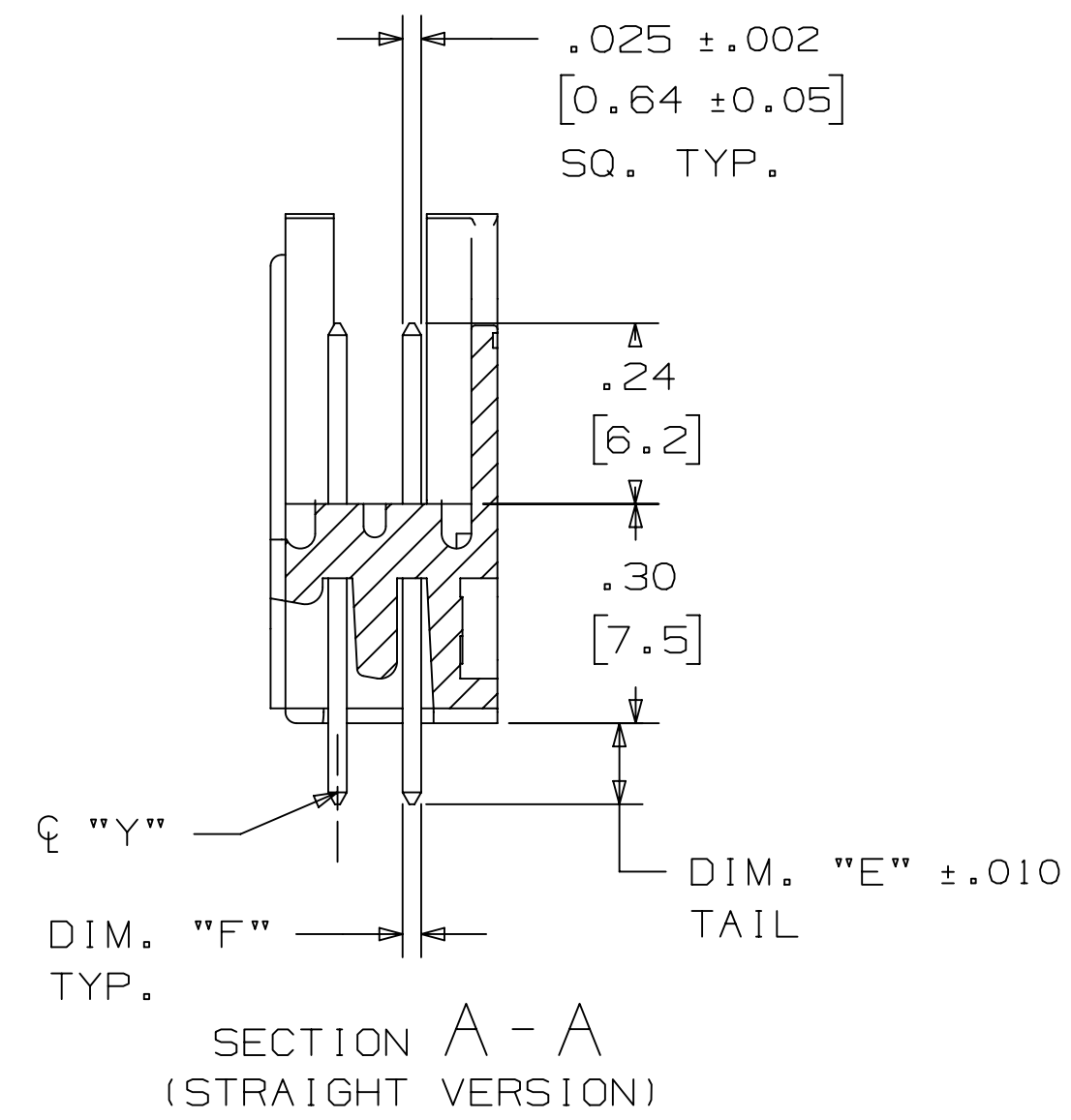
3M ELECTRONICS MATERIALS SOLUTIONS DIVISION
 INTERCONNECT SOLUTIONS
<http://www.3M.com/interconnect>
 3M IS A TRADEMARK OF 3M COMPANY.
 FOR TECHNICAL, SALES OR ORDERING
 INFORMATION CALL 800-225-5373

CAUS
 UL FILE NO: E68080

DESIGN REFERENCE	NEXT ASSEMBLY	REV	ECO	ISSUE DATE AND DESCRIPTION	DRFT	CHKD
		L	115955	MAY 08, 2024 REMOVE 05 WWT TAILS	JNC	FJR
		K	97909	JUN 22, 2021 REVISED ORDERING INFO	JNC	SAN
		J	93619	JAN 07, 2021 REMOVE TIN LEAD PLATE AND KINK TAILS	JNC	SAN
		H	60056	MAR 06, 2015 REVISE ORDERING NUMBER	JNC	RS
		G	56068	AUG 05, 2014 REVISED AND REDRAWN	JNC	RS
		REV	ECO	ISSUE DATE AND DESCRIPTION	DRFT	CHKD
		DRFT	CASTIGLIONE	DATE 05, 2014	MFG	DATE
		CHKD		DATE	APPV	DATE
					R. SCHERER	SEP 05, 2014
DIVISION	Interconnect Solutions	DIVISION CODE	EMSD	© 3M COPYRIGHT 2024 This document and the information it contains are 3M property and may not be reproduced or further distributed without 3M permission, or used or disclosed other than for 3M authorized purposes. All rights reserved.		
DO NOT SCALE DRAWING	SCALE	TOLERANCES EXCEPT AS NOTED	3M 3M Center St. Paul, MN 55144			
THIRD ANGLE PROJECTION	INTERPRET PER ASME Y14.5 - 2018	INCHES .0 ± .1 .00 ± .01 .000 ± .005 .0000 ± .0002	TITLE HEADER, 3-WALL, .100 X .100 LATCH/EJECTOR, STRAIGHT AND RA			
MAX SURFACE ROUGHNESS	ALL SURFACES	MILLIMETERS 0 ± .0 ± .00 ± .000 ±	CAGE NUMBER	SIZE	DRAWING NO.	REV.
<input checked="" type="checkbox"/> MARKED ONLY	ANGLES		D	78-5100-0771-5	L	
			MODEL	3400	DET	1515 <input type="checkbox"/> YES <input checked="" type="checkbox"/> NO SHT 1 OF 5

3M™ THREE-WALL HEADER, 3000 SERIES

.100" X .100" LATCH/EJECTOR, STRAIGHT AND RIGHT ANGLE



PIN QTY.	3M PART NUMBER	DIM. "A"	DIM. "B"	DIM. "C"	DIM. "D"	POLARIZING NOTCHES	PIN QTY.
10	3793	1.26 [32.1]	1.105 [28.04]	.865 [21.97]	.71 [18.0]	BC	10
14	3314	1.46 [37.2]	1.305 [33.12]	1.065 [27.05]	.91 [23.1]	BC	14
16	3408	1.56 [39.7]	1.405 [35.66]	1.165 [29.59]	1.01 [25.6]	ABC	16
20	3428	1.76 [44.8]	1.604 [40.74]	1.365 [34.67]	1.21 [30.7]	ABC	20
26	3429	2.06 [52.4]	1.905 [48.36]	1.665 [42.29]	1.51 [38.3]	ABC	26
34	3431	2.46 [62.6]	2.305 [58.52]	2.065 [52.45]	1.91 [48.5]	ABC	34
40	3432	2.76 [70.2]	2.605 [66.14]	2.365 [60.07]	2.21 [56.1]	ABC	40
50	3433	3.26 [82.9]	3.105 [78.84]	2.865 [72.77]	2.71 [68.8]	ABC	50
60	3372	3.76 [95.6]	3.605 [91.54]	3.365 [85.47]	3.21 [81.5]	ABC	60
64	3764	3.96 [100.7]	3.805 [96.62]	3.565 [90.55]	3.41 [86.6]	ABC	64

3M PART NUMBER SUFFIX	CONTACT TAIL	DIM. "E"	PIN CROSS SECTION			DIM. "G"
-1XX2	.062 [1.57] THICK PC BOARD	.112 [2.84]	DIM. "F"		.035+/- .003 [.89] SEE NOTE 5	
-2XX2			.0245+/- .0005 [.622]	.028+/- .001 [.71]		.0075 REF. [.191]
-1X03	.094 [2.39] TO .125 [3.18] THICK PC BOARD	.155 [3.94]	DIM. "F"		.035+/- .003 [.89]	
-2X03			.0245+/- .0005 [.622]	.028+/- .001 [.71]		.0075 REF. [.191]

REV	ECO	ISSUE DATE AND DESCRIPTION	DRFT	CHKD
L	115955	MAY 08, 2024 REMOVE 05 WWT TAILS	JNC	FJR
K	97909	JUN 22, 2021 REVISED ORDERING INFO	JNC	SAN
J	93619	JAN 07, 2021 REMOVE TIN LEAD PLATE AND KINK TAILS	JNC	SAN
H	60056	MAR 06, 2015 REVISE ORDERING NUMBER	JNC	RS
G	56068	AUG 05, 2014 REVISED AND REDRAWN	JNC	RS

DESIGN REFERENCE	NEXT ASSEMBLY	REV	ECO	ISSUE DATE AND DESCRIPTION	DRFT	CHKD
		DRFT	CASTIGLIONE	DATE	AUG 05, 2014	MFG
		CHKD		DATE		
		APPV	R. SCHERER	DATE	SEP 05, 2014	

DIVISION: Interconnect Solutions
 SCALE: DO NOT SCALE DRAWING
 TOLERANCES EXCEPT AS NOTED:
 INCHES: .0 ±.01, .000 ±.005, .0000 ±.0002
 MILLIMETERS: 0 ±.05, .00 ±.0002
 INTERPRET PER ASME Y14.5 - 2018
 MAX. SURFACE ROUGHNESS: ALL SURFACES
 MARKED ONLY

3M Center St. Paul, MN 55144
 © 3M COPYRIGHT 2024
 This document and the information it contains are 3M property and may not be reproduced or further distributed without 3M permission, or used or disclosed other than for 3M authorized purposes. All rights reserved.

TITLE: HEADER, 3-WALL, .100 X .100 LATCH/EJECTOR, STRAIGHT AND RA
 CAGE NUMBER: D78-5100-0771-5
 MODEL: 3400
 DRAWING NO.: D78-5100-0771-5
 REV. L
 SHEET: 2 OF 5

3M ELECTRONICS MATERIALS SOLUTIONS DIVISION
 INTERCONNECT SOLUTIONS
<http://www.3M.com/interconnect>

3M IS A TRADEMARK OF 3M COMPANY.
 FOR TECHNICAL, SALES OR ORDERING
 INFORMATION CALL 800-225-5373

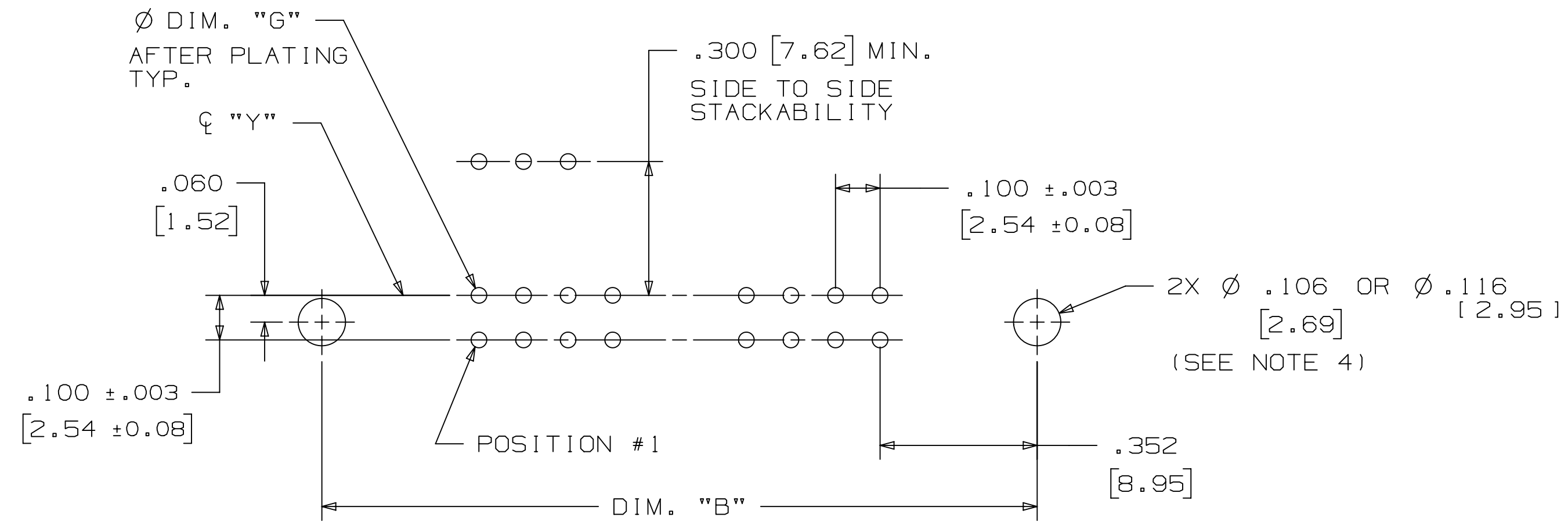
78-5100-0771-5
DRAWING NUMBER

REVISION

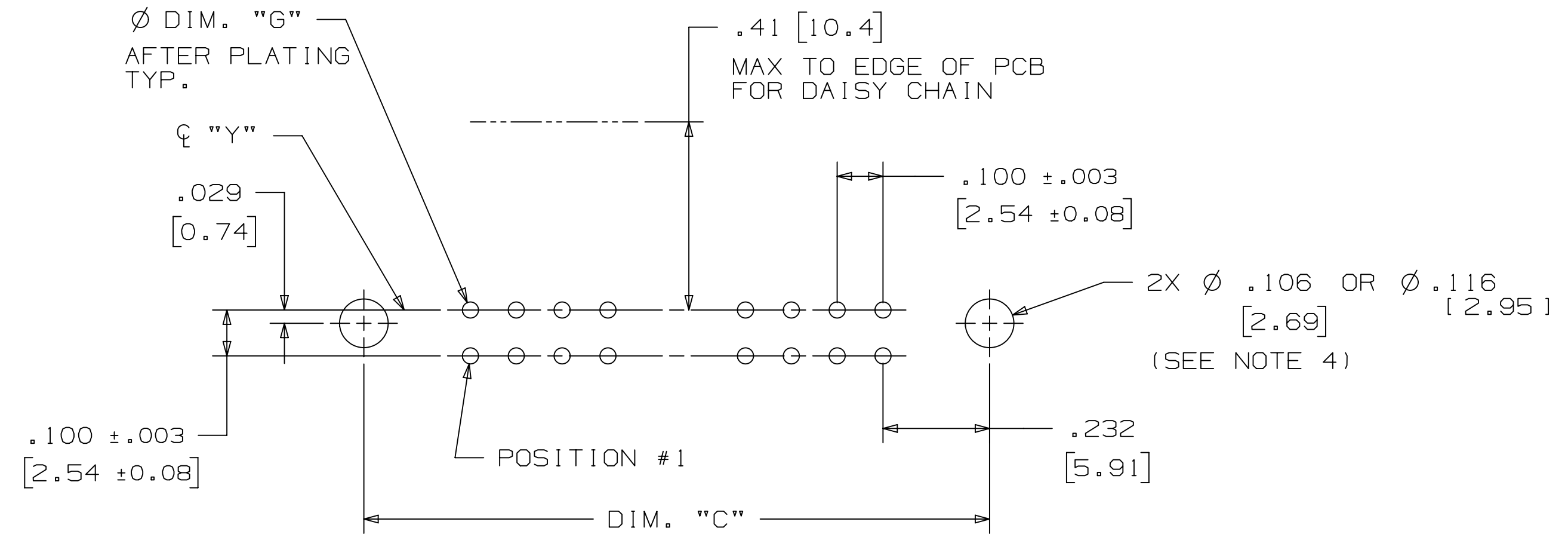
REV. L

3M™ THREE-WALL HEADER, 3000 SERIES

.100" X .100" LATCH/EJECTOR, STRAIGHT AND RIGHT ANGLE



RECOMMENDED MOUNTING HOLE PATTERN
(STRAIGHT VERSION)



RECOMMENDED MOUNTING HOLE PATTERN
(RIGHT ANGLE VERSION)

PART CUSTOMIZATION

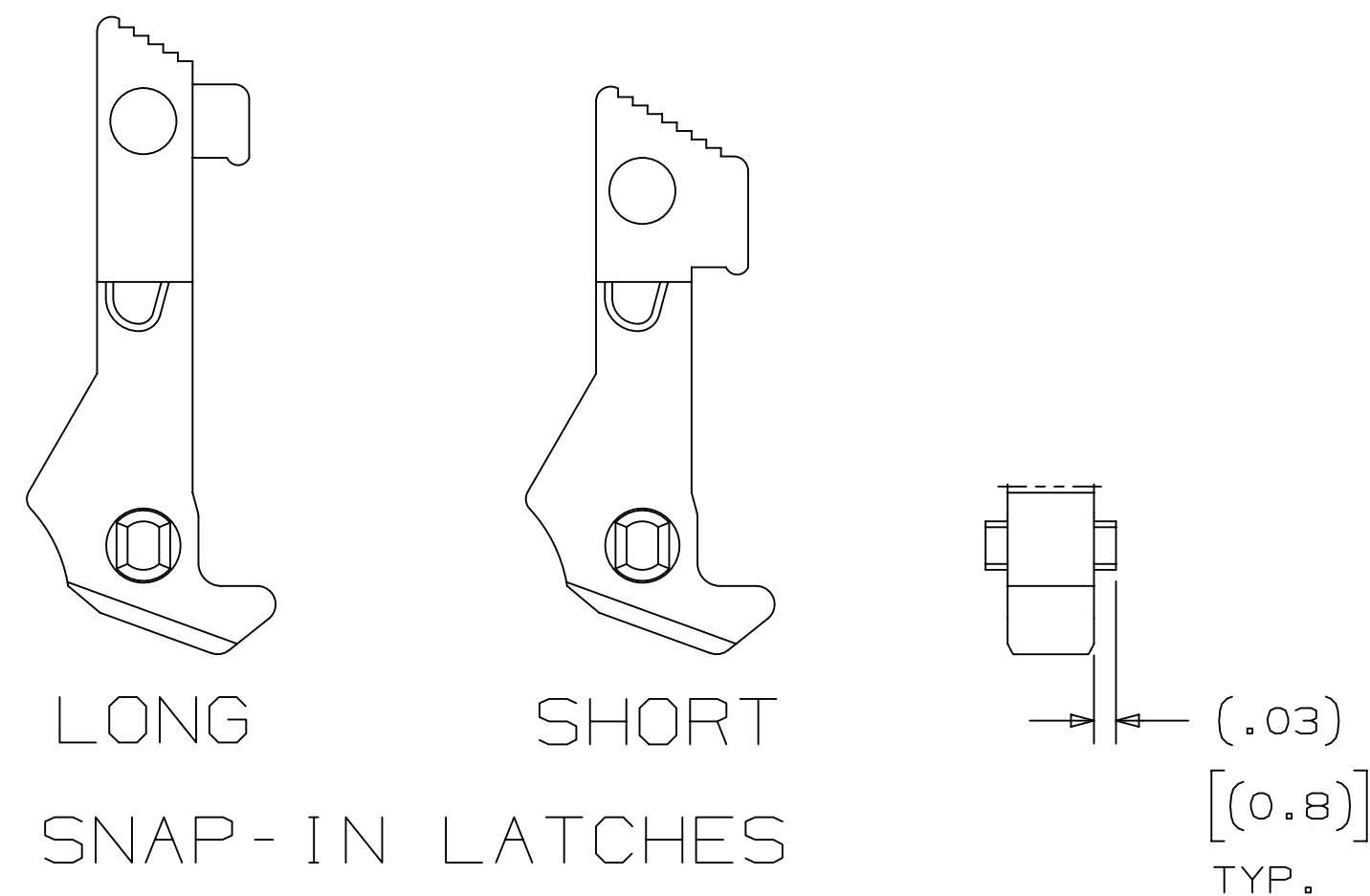
THIS SPEC SHEET DETAILS OUR STANDARD OFFERING.

3M HAS SEVERAL CAPABILITIES THAT CAN PROVIDE A PART TAILORED TO YOUR SPECIFIC NEEDS. ASK YOUR 3M SALES REPRESENTATIVE OR CUSTOMER SERVICE FOR MORE DETAILS.

BOTH SNAP-IN AND ROLL PIN LATCHES MAY BE ORDERED SEPARATELY. SNAP-IN AND ROLL PIN STYLE LATCHES ARE DIMENSIONALLY AND FUNCTIONALLY EQUIVALENT. IF ORDERING SNAP-IN OR ROLL PIN STYLE LATCHES SEPARATELY, PLEASE USE THE BELOW CHART.

MATERIAL	SHORT LATCH	LONG LATCH	LATCH STYLE	COLOR
HIGH TEMP. (PCT)	N3505-2B	N3505-3B	ROLL PIN	BLACK
HIGH TEMP (PPA)	N3505-30B	N3505-31B	SNAP-IN	BLACK

- * SELECTIVE PIN REMOVAL (ATA OR OTHER COMPATABILITY)
- * WIRE WRAP TAILS STYLE

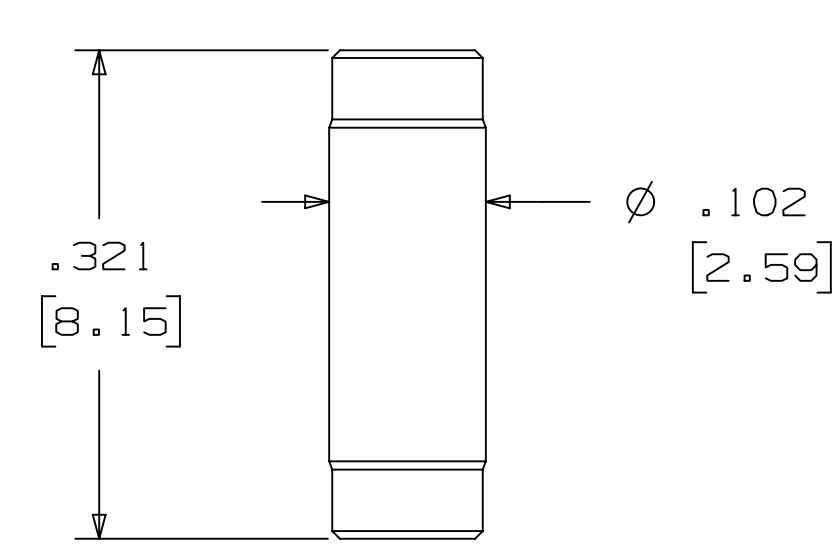


NOTE:
SNAP-IN LATCHES CAN ONLY BE ORDERED SEPARATELY AND ARE THE CUSTOMERS RESPONSIBILITY TO INSTALL.

3M ELECTRONICS MATERIALS SOLUTIONS DIVISION
INTERCONNECT SOLUTIONS
<http://www.3M.com/interconnect>

3M IS A TRADEMARK OF 3M COMPANY.
FOR TECHNICAL, SALES OR ORDERING
INFORMATION CALL 800-225-5373

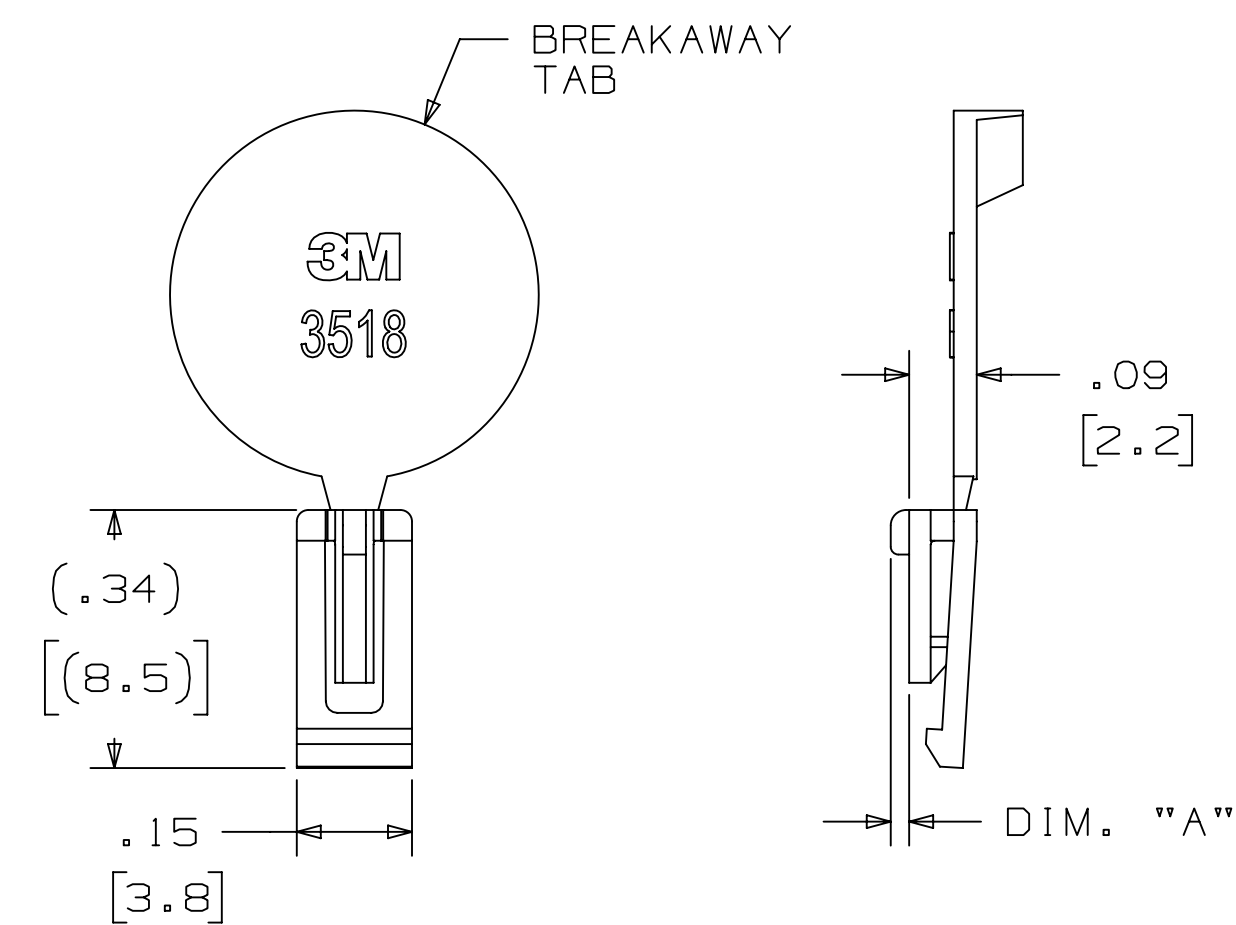
POLARIZING POST



3M PART NO.	MATERIAL	COLOR
3201-4	LCP	BLACK

NOTE:
INSERT POST INTO ONE MOUNTING
HARDWARE HOLE ON BOTTOM OF HEADER.
SET POST TO PROTRUDE .115 [2.92]

POLARIZING KEY



3M PART NO.	MATERIAL	COLOR	DIM. "A"
N3518	LCP	BLACK	.02

NOTE:
#2216 B/A SCOTCHWELD CAN BE USED TO
ADHERE KEYS.

REV	ECO	ISSUE DATE AND DESCRIPTION	DRFT	CHKD
L	115955	MAY 08, 2024 REMOVE 05 WWT TAILS	JNC	FJR
K	97909	JUN 22, 2021 REVISED ORDERING INFO	JNC	SAN
J	93619	JAN 07, 2021 REMOVE TIN LEAD PLATE AND KINK TAILS	JNC	SAN
H	60056	MAR 06, 2015 REVISE ORDERING NUMBER	JNC	RS
G	56068	AUG 05, 2014 REVISED AND REDRAWN	JNC	RS

DESIGN REFERENCE	NEXT ASSEMBLY	REV	ECO	ISSUE DATE AND DESCRIPTION	DRFT	CHKD	
		DRFT	CASTIGLIONE	DATE	AUG 05, 2014	MFG	DATE
		CHKD		DATE		APPV	DATE
						R. SCHERER	SEP 05, 2014

Division	Interconnect Solutions	Division Code	EMSD
DO NOT SCALE DRAWING		TOLERANCES EXCEPT AS NOTED	
THIRD ANGLE PROJECTION		INCHES .0 ±.1 .00 ±.01 .000 ±.005 .0000 ±.0002	
INTERPRET PER ASME Y14.5 - 2018		MILLIMETERS 0 ± .0 ± .00 ± .000 ±	
MAX SURFACE ROUGHNESS		ALL SURFACES	
MARKED ONLY		ANGLES	

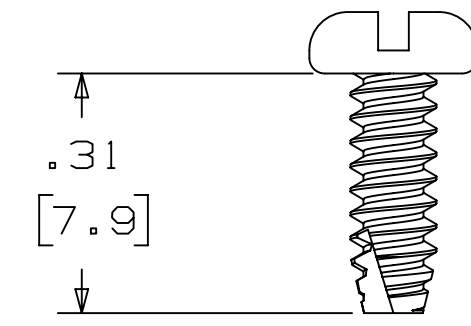
TITLE	CAGE NUMBER	SIZE	DRAWING NO.	REV.
HEADER, 3-WALL, .100 X .100 LATCH/EJECTOR, STRAIGHT AND RA	D	78-5100-0771-5	L	
MODEL	3400	DET	IS1s	YES <input type="checkbox"/> NO <input type="checkbox"/>
SHT	3	OF	5	

78-5100-0771-5 DRAWING NUMBER

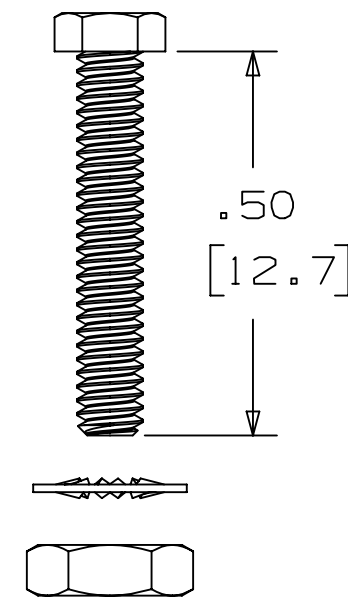
REVISION

3M™ THREE-WALL HEADER, 3000 SERIES
 .100" X .100" LATCH/EJECTOR, STRAIGHT AND RIGHT ANGLE

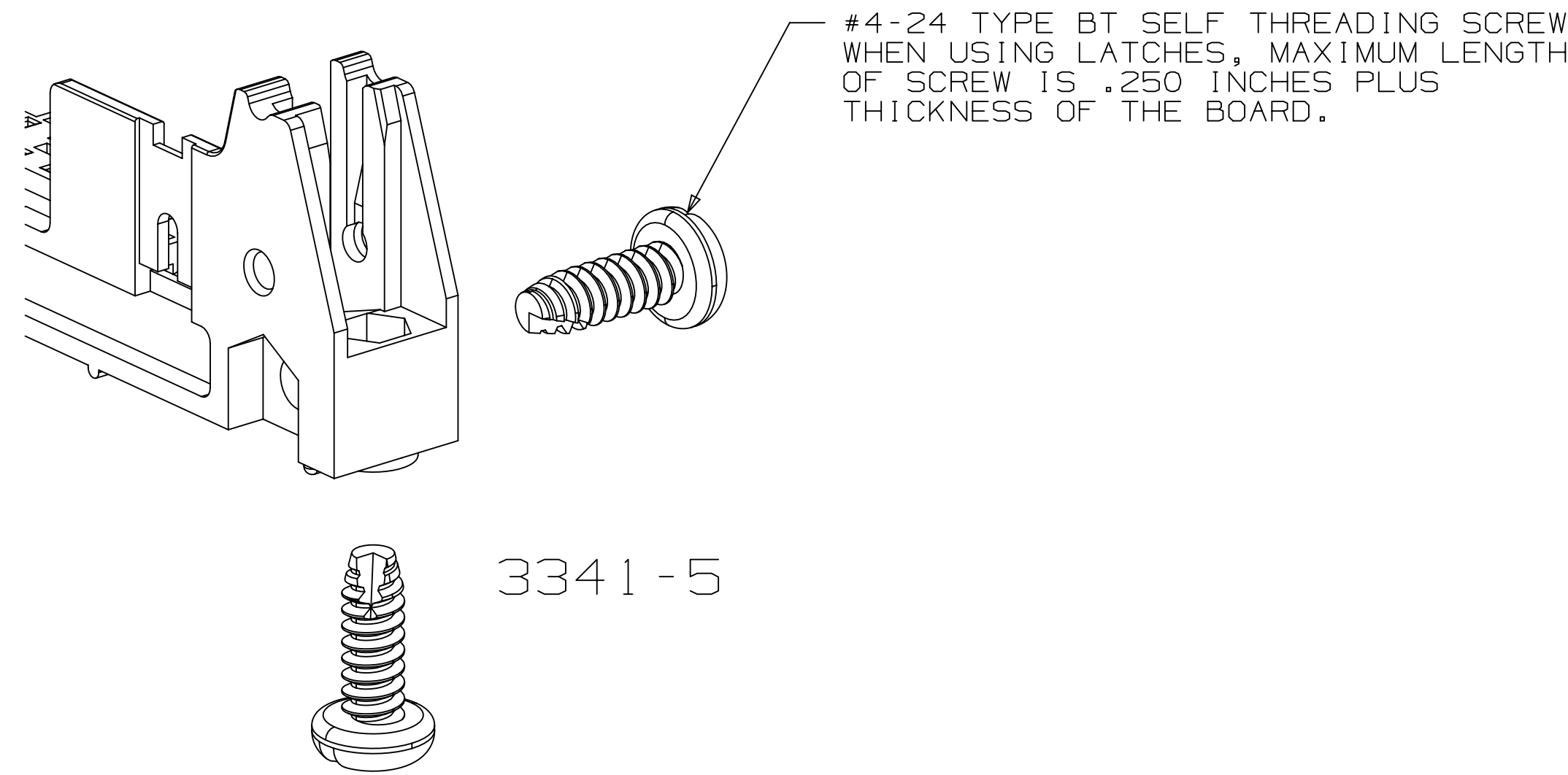
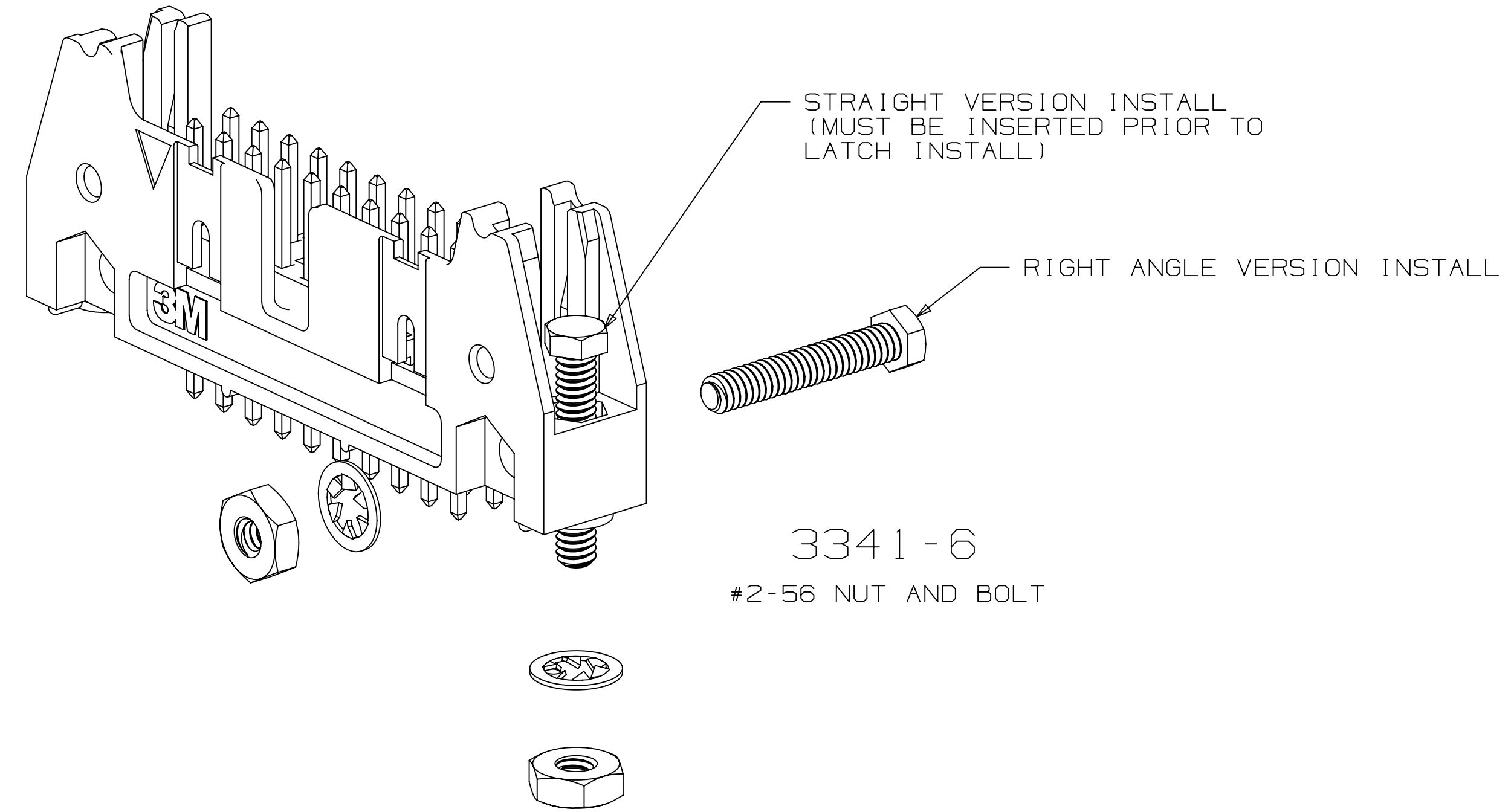
MOUNTING HARDWARE



3341-5
 (INSTALL FROM BOTTOM OF BOARD)
 PANHEAD THREAD CUTTING SCREW:
 #4-24 X 5/16"
 TYPE: USA STD BT, FEDERAL BG
 MATERIAL: STAINLESS STEEL



3341-6
 HEX HEAD BOLT, NUT AND WASHER:
 BOLT - #2-56 X 1/2"
 MATERIAL: STAINLESS STEEL



3341-5

REV	ECO	ISSUE DATE AND DESCRIPTION	DRFT	CHKD
L	115955	MAY 08, 2024 REMOVE 05 WWT TAILS	JNC	FJR
K	97909	JUN 22, 2021 REVISED ORDERING INFO	JNC	SAN
J	93619	JAN 07, 2021 REMOVE TIN LEAD PLATE AND KINK TAILS	JNC	SAN
H	60056	MAR 06, 2015 REVISE ORDERING NUMBER	JNC	RS
G	56068	AUG 05, 2014 REVISED AND REDRAWN	JNC	RS

DESIGN REFERENCE	NEXT ASSEMBLY	REV	ECO	ISSUE DATE AND DESCRIPTION	DRFT	CHKD
		DRFT	CASTIGLIONE	DATE	AUG 05, 2014	MFG
		CHKD		DATE		APPV
				DATE	SEP 05, 2014	R. SCHERER

3M ELECTRONICS MATERIALS SOLUTIONS DIVISION
 INTERCONNECT SOLUTIONS
<http://www.3M.com/interconnect>

3M IS A TRADEMARK OF 3M COMPANY.
 FOR TECHNICAL, SALES OR ORDERING
 INFORMATION CALL 800-225-5373

DO NOT SCALE DRAWING TOLERANCES EXCEPT AS NOTED INCHES .00 ± .01 .000 ± .005 .0000 ± .0002 MILLIMETERS 0 ± .00 ± .000 ± ANGLES ±	DIVISION Interconnect Solutions DIVISION CODE EMSD 3M Center St. Paul, MN 55144 © 3M COPYRIGHT 2024 This document and the information it contains are 3M property and may not be reproduced or further distributed without 3M permission, or used or disclosed other than for 3M authorized purposes. All rights reserved. TITLE HEADER, 3-WALL, .100 X .100 LATCH/EJECTOR, STRAIGHT AND RA CAGE NUMBER D78-5100-0771-5 MODEL 3400 DET I1S1 YES NO SHT 4 OF 5
--	---

3M™ THREE-WALL HEADER, 3000 SERIES

.100" X .100" LATCH/EJECTOR, STRAIGHT AND RIGHT ANGLE

Regulatory: For regulatory information about this product, visit 3M.com/regs or contact your 3M representative.

Technical Information: The technical information, guidance, and other statements contained in this document or otherwise provided by 3M are based upon records, tests, or experience that 3M believes to be reliable, but the accuracy, completeness, and representative nature of such information is not guaranteed. Such information is intended for people with knowledge and technical skills sufficient to assess and apply their own informed judgment to the information. No license under any 3M or third party intellectual property rights is granted or implied with this information.

Product Use: Many factors beyond 3M's control and uniquely within user's knowledge and control can affect the use and performance of a 3M product in a particular application. As a result, customer is solely responsible for evaluating the product and determining whether it is appropriate and suitable for customer's application, including conducting a workplace hazard assessment and reviewing all applicable regulations and standards (e.g., OSHA, ANSI, etc.). Failure to properly evaluate, select, and use a 3M product in accordance with all applicable instructions and with appropriate safety equipment, or to meet all applicable safety regulations, may result in injury, sickness, death, and/or harm to property.

Warranty, Limited Remedy, and Disclaimer: Unless a different warranty is specifically stated on the applicable 3M product packaging or product literature (in which case such warranty governs), 3M warrants that each 3M product meets the applicable 3M product specification at the time 3M ships the product. 3M MAKES NO OTHER WARRANTIES OR CONDITIONS, EXPRESS OR IMPLIED, INCLUDING, BUT NOT LIMITED TO, ANY IMPLIED WARRANTY OR CONDITION OF MERCHANTABILITY, FITNESS FOR A PARTICULAR PURPOSE, OR ANY IMPLIED WARRANTY OR CONDITION ARISING OUT OF A COURSE OF DEALING, CUSTOM, OR USAGE OF TRADE. If a 3M product does not conform to this warranty, then the sole and exclusive remedy is, at 3M's option, replacement or repair of the 3M product or refund of the purchase price.

Limitation of Liability: Except for the limited remedy stated above, and except to the extent prohibited by applicable law, 3M will not be liable for any loss or damage arising from or related to the 3M product, whether direct, indirect, special, incidental, or consequential (including, but not limited to, lost profits or business opportunity), regardless of the legal or equitable theory asserted, including, but not limited to, warranty, contract, negligence, or strict liability.

Disclaimer: For industrial use only. Not intended, labeled or packaged for consumer sale or use.

3M Company
 Electronics Materials Solutions Division
 13011 McCallen Pass, Bldg. C
 Austin, TX 78753-5380
 1-800-225-5373
www.3M.com/interconnect

3M ELECTRONICS MATERIALS SOLUTIONS DIVISION
 INTERCONNECT SOLUTIONS
<http://www.3M.com/interconnect>

3M IS A TRADEMARK OF 3M COMPANY.
 FOR TECHNICAL, SALES OR ORDERING
 INFORMATION CALL 800-225-5373

REV	ECO	ISSUE DATE AND DESCRIPTION	DRFT	CHKD
L	115955	MAY 08,2024 REMOVE 05 WWT TAILS	JNC	FJR
K	97909	JUN 22,2021 REVISED ORDERING INFO	JNC	SAN
J	93619	JAN 07,2021 REMOVE TIN LEAD PLATE AND KINK TAILS	JNC	SAN
H	60056	MAR 06,2015 REVISE ORDERING NUMBER	JNC	RS
G	56068	AUG 05,2014 REVISED AND REDRAWN	JNC	RS

DESIGN REFERENCE	NEXT ASSEMBLY	REV	ECO	ISSUE DATE AND DESCRIPTION	DRFT	CHKD

DRWG CODES	DRFT	DATE	CHKD	DATE	APPV	DATE
	CASTIGLIONE	AUG 05,2014			R. SCHERER	SEP 05,2014

DIVISION	DIVISION CODE	3M Center	St. Paul, MN 55144
Interconnect Solutions	EMSD		

DO NOT SCALE DRAWING	SCALE	TOLERANCES EXCEPT AS NOTED
		INCHES .00 ±.01 .000 ±.005 .0000 ±.0002
		MILLIMETERS 0 ± .00 ± .000 ±

THIRD ANGLE PROJECTION	INTERPRET PER ASME Y14.5 - 2018	MAX SURFACE ROUGHNESS	ALL SURFACES	MARKED ONLY

TITLE	CAGE NUMBER	SIZE	DRAWING NO.	REV.
HEADER, 3-WALL, .100 X .100 LATCH/EJECTOR, STRAIGHT AND RA	D		78-5100-0771-5	L

MODEL	DET	YES	NO	SHT	OF	TOTAL
3400				5		5

DRAWING NUMBER 78-5100-0771-5

REVISION A