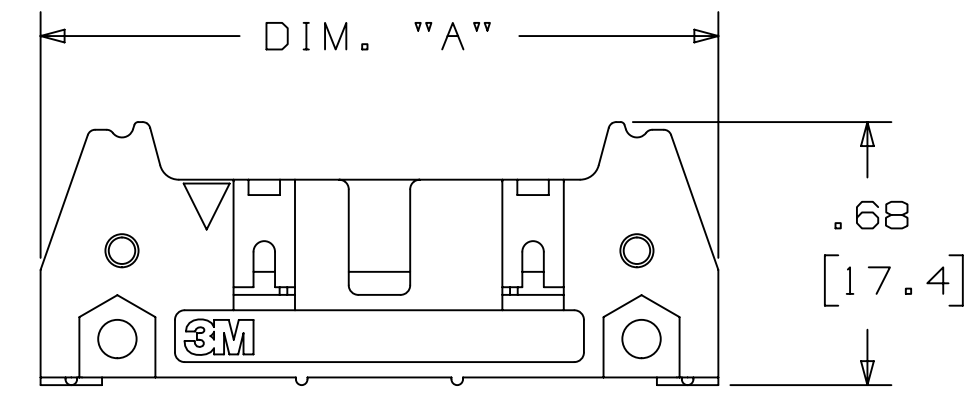
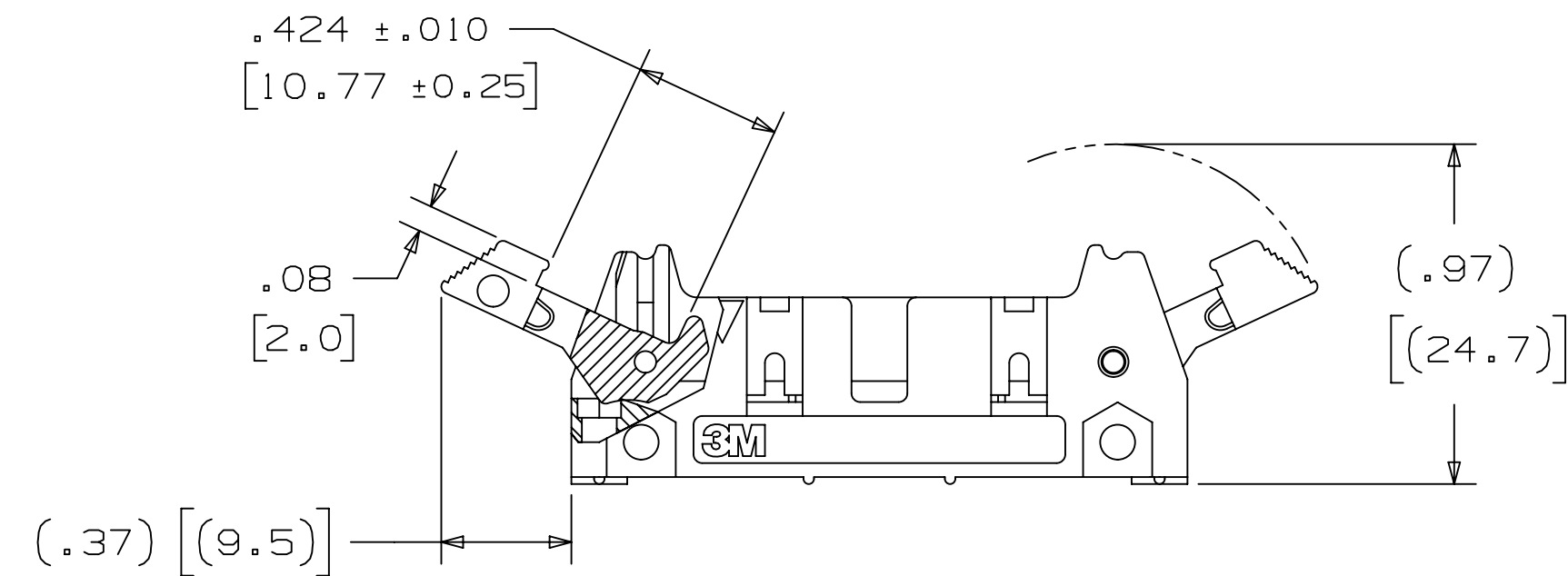


# 3M™ FOUR-WALL HEADER, 3000 SERIES

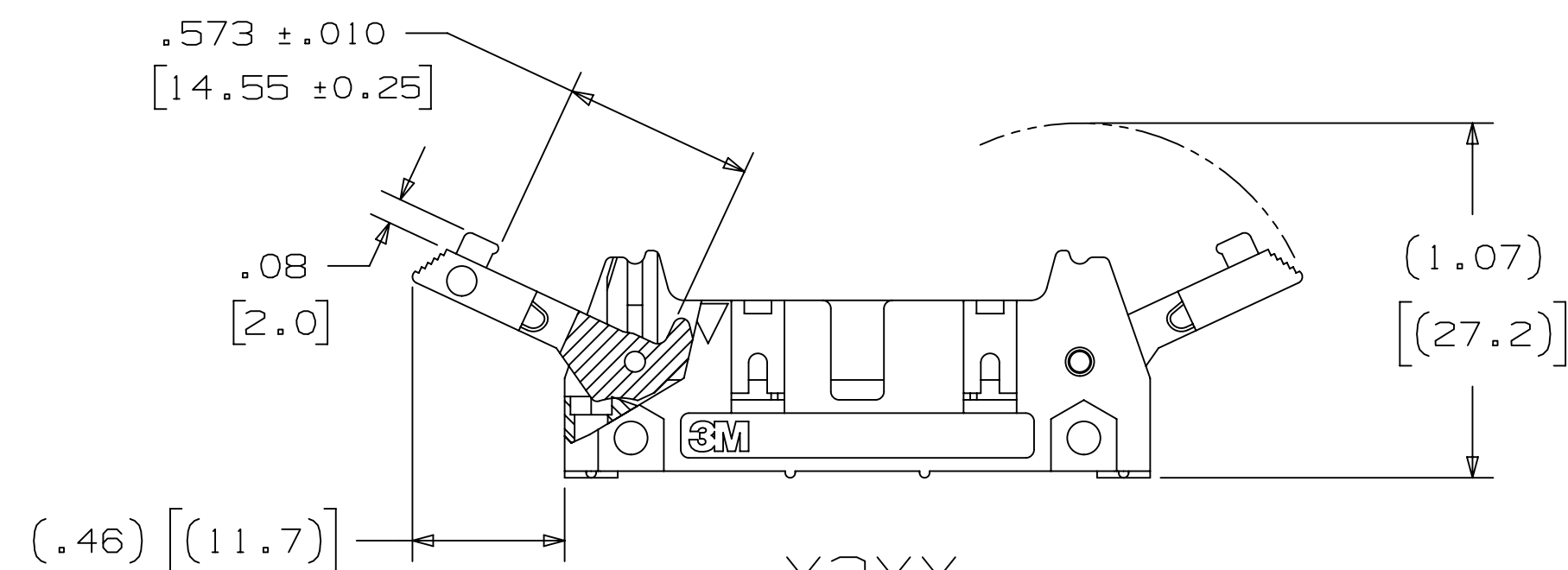
.100" X .100" LATCH/EJECTOR, STRAIGHT AND RIGHT ANGLE



-X0XX  
HEADER WITHOUT LATCH EJECTOR



-X2XX  
HEADER WITH SHORT LATCH EJECTOR  
FOR 3M SOCKETS WITHOUT STRAIN RELIEF



-X3XX  
HEADER WITH LONG LATCH EJECTOR  
FOR 3M SOCKETS WITH STRAIN RELIEF

## ORDERING INFORMATION

D= HIGH TEMP BLACK (PCT)/(AR PLATING REQ'D)  
N= HIGH TEMP BLACK (PCT)/(RB PLATING REQ'D)  
BLANK= HIGH TEMP BLACK (PCT)/(EB PLATING REQ'D)

3M PART NUMBER:  
(SEE TABLE 1)

PIN CONFIGURATION:  
5 = RIGHT ANGLE SOLDER TAILS  
6 = STRAIGHT SOLDER TAILS

PLATING:

AR = 50μ"-150μ" [1.27μm-3.81μm] NICKEL-OVERALL  
10μ" [0.25μm] AVG. GOLD, 40-120μ" [1-3μm] MATTE TIN TAILS  
RB = 50μ"-150μ" [1.27μm-3.81μm] NICKEL-OVERALL  
30μ" [0.76μm] AVG. GOLD, 200μ" [5.08μm] MATTE TIN TAILS

TAIL:

02 = FOR .062 [1.57] THICK BOARD (N & D)  
03 = FOR .094 TO .125 [2.39 TO 3.18] THICK BOARD (N ONLY)

LATCH/EJECTOR SYSTEM:  
0 = NO LATCH/EJECTOR INSTALLED  
2 = SHORT ROLL PIN LATCH/EJECTORS  
3 = LONG ROLL PIN LATCH/EJECTORS

3M ELECTRONICS MATERIALS SOLUTIONS DIVISION  
INTERCONNECT SOLUTIONS  
<http://www.3M.com/interconnect>

3M IS A TRADEMARK OF 3M COMPANY.  
FOR TECHNICAL, SALES OR ORDERING  
INFORMATION CALL 800-225-5373

- \* MILITARY (WITH 3M'S N3518 POLARIZING KEY) AND CENTERBUMP POLARIZATION.
- \* OPTIONAL EJECTOR LATCHES.
- \* MOUNTING HOLES FOR SECURING HEADER TO BOARD.
- \* OPTIONAL POLARIZING POSTS AVAILABLE.
- \* HIGH TEMPERATURE INSULATOR SUITABLE FOR "NO LEAD" SOLDERING OPERATIONS.
- \* SUITABLE FOR REFLOW SOLDERING USING "PASTE IN HOLE" TECHNIQUES.
- \* STRAIGHT, RIGHT ANGLE SOLDER TAIL OPTIONS.

## 2 PHYSICAL :

INSULATOR:  
MATERIAL: HIGH TEMP GLASS FILLED POLYESTER (PCT)  
FLAMMABILITY: UL94V-0  
COLOR: BLACK  
CONTACT:  
MATERIAL: COPPER ALLOY  
PLATING:  
UNDER PLATING: NICKEL-OVERALL (SEE ORDERING INFORMATION)  
WIPING AREA: GOLD (SEE ORDERING INFORMATION)  
SOLDER TAILS: MATTE TIN (SEE ORDERING INFORMATION)  
MARKINGS: 3M LOGO, PART IDENTIFICATION NUMBER AND ORIENTATION TRIANGLE

## 2 ELECTRICAL :

EIA CURRENT RATING: 5.00A, 1 CONTACT POWERED  
3.00A, 6 CONTACTS POWERED  
1.75A, ALL CONTACTS POWERED  
RATING CONDITIONS: EIA-364-070 METHOD 2, 30°C MAXIMUM TEMPERATURE RISE, 20% DERATED. REFERENCE APPROPRIATE 3M PRODUCT SPECIFICATION FOR DETAILED CURRENT DERATING CURVES.  
INSULATION RESISTANCE: >1 X 10<sup>9</sup>Ω AT 500 V<sub>DC</sub>  
WITHSTANDING VOLTAGE: 1,000V<sub>RMS</sub> AT SEA LEVEL  
UL CURRENT RATING: 1.0A ALL LINES POWERED  
UL VOLTAGE RATING: 250V

## 2 ENVIRONMENTAL :

UL TEMPERATURE RATING: 130C  
EIA TEMPERATURE RATING: -55°C TO 105°C  
PROCESS RATING: 260°C, PER J-STD-020C, SINGLE PASS  
MOISTURE SENSITIVITY LEVEL: 1 (PER J-STD-020C, SINGLE PASS)

- NOTES
1. REGULATORY INFORMATION: VISIT 3M.com/regs
  2. IN THE EVENT OF CONFLICT BETWEEN THIS DATA AND THAT CONTAINED IN THE PRODUCT SPECIFICATION, THE PRODUCT SPECIFICATION TAKES PRECEDENT.
  3. NOTCHES A & C WILL ACCOMMODATE 3M POLARIZING KEY: N3518.
  4. MOUNTING HARDWARE: FROM SOLDER SIDE OF PC BOARD USE #4-24 THREAD CUTTING SCREW (3M PART #3341-5) WITH Ø.116 [2.95] MOUNTING HOLE. FOR RIGHT ANGLE VERSION ONLY: #2-56 BOLT AND NUT (3M PART #3341-6) WITH Ø.106 [2.69] MOUNTING HOLE MAY BE USED.

REV	ECO	ISSUE DATE AND DESCRIPTION	DRFT	CHKD
X	115955	MAY 08, 2024 REMOVE 05 WWT TAIL	JNC	FJR
W	112712	NOV 29, 2023 UL VOLTAGE WAS 125	JNC	FJR
V	97909	JUN 22, 2021 REVISED ORDERING INFO	JNC	SAN
U	93619	JAN 07, 2021 REMOVE TIN LEAD PLATING AND KINK TAILS	JNC	SAN
T	62689	JUL 10, 2015 ADD 5X05 OPTION AND REVISE NOTES	JNC	SN
S	60056	MAR 06, 2015 REVISED ORDERING NUMBER	JNC	RS
R	56068	JUL 25, 2014 REVISED AND REDRAWN	JNC	RS

DIMENSIONS: INCHES [MM]  
[MM] IS REF. ONLY

DESIGN REFERENCE	NEXT ASSEMBLY	REV	ECO	ISSUE DATE AND DESCRIPTION	DRFT	CHKD		
DESIGN CODES		DRFT	CASTIGLIONE	DATE	JUL 25, 2014	MFG	DATE	
DIVISION	Interconnect Solutions	DIVISION CODE	EMSD	APPR	R. SCHERER	DATE	SEP 05, 2014	
DO NOT SCALE DRAWING	SCALE	TOLERANCES EXCEPT AS NOTED						
THIRD ANGLE PROJECTION		INCHES	.00 ± .01					
INTERPRET PER ASME Y14.5 - 2018		MILLIMETERS	.000 ± .005					
MAX SURFACE ROUGHNESS			.0000 ± .0002					
MARKED ONLY								
TITLE		CAGE NUMBER		DRAWING NO.		REV.		
4-WALL HEADER, .100 X .100 LATCH/EJECT, STRAIGHT & RA		D		78-5100-0772-3		X		
MODEL		3400		DET		1515		SHT 1 OF 5

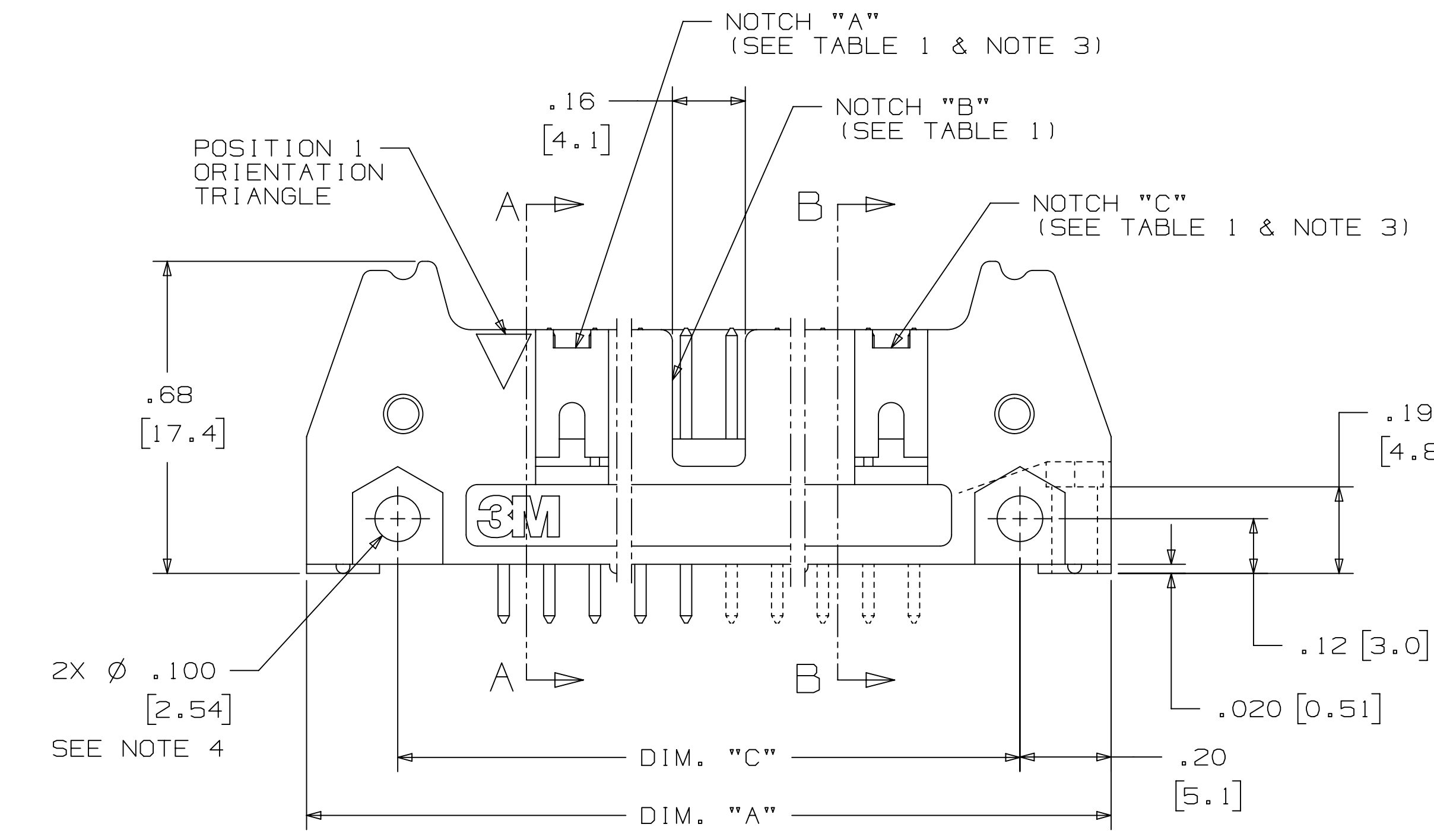
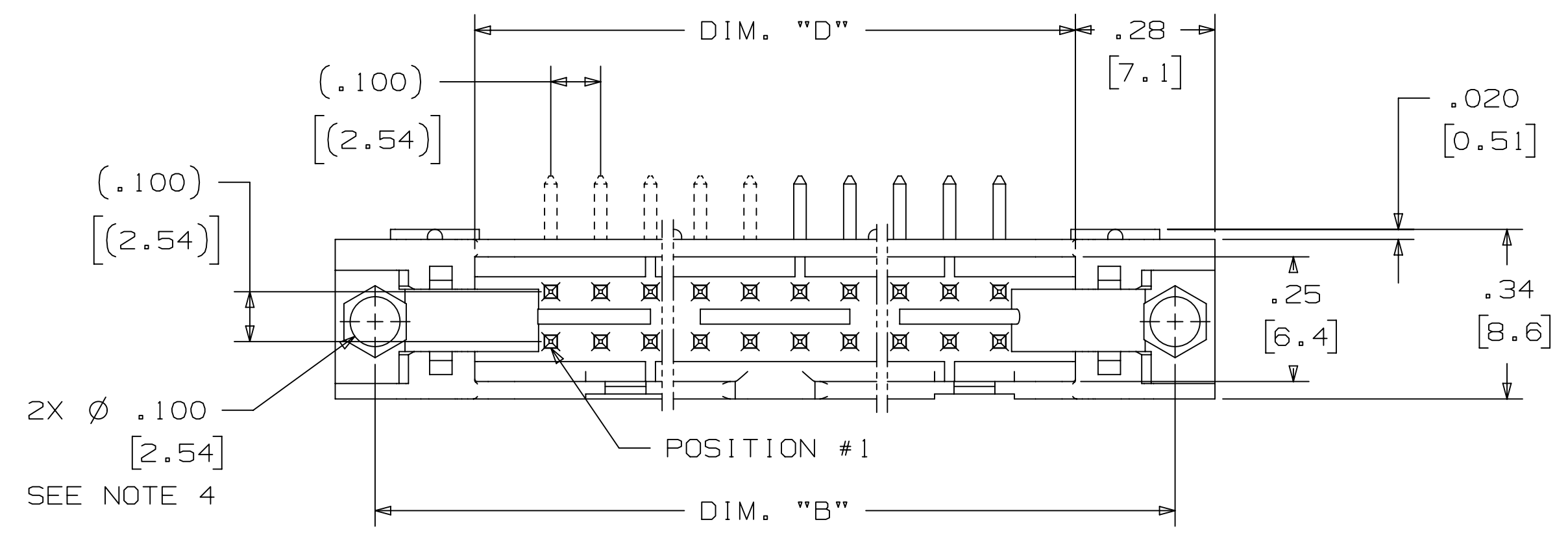
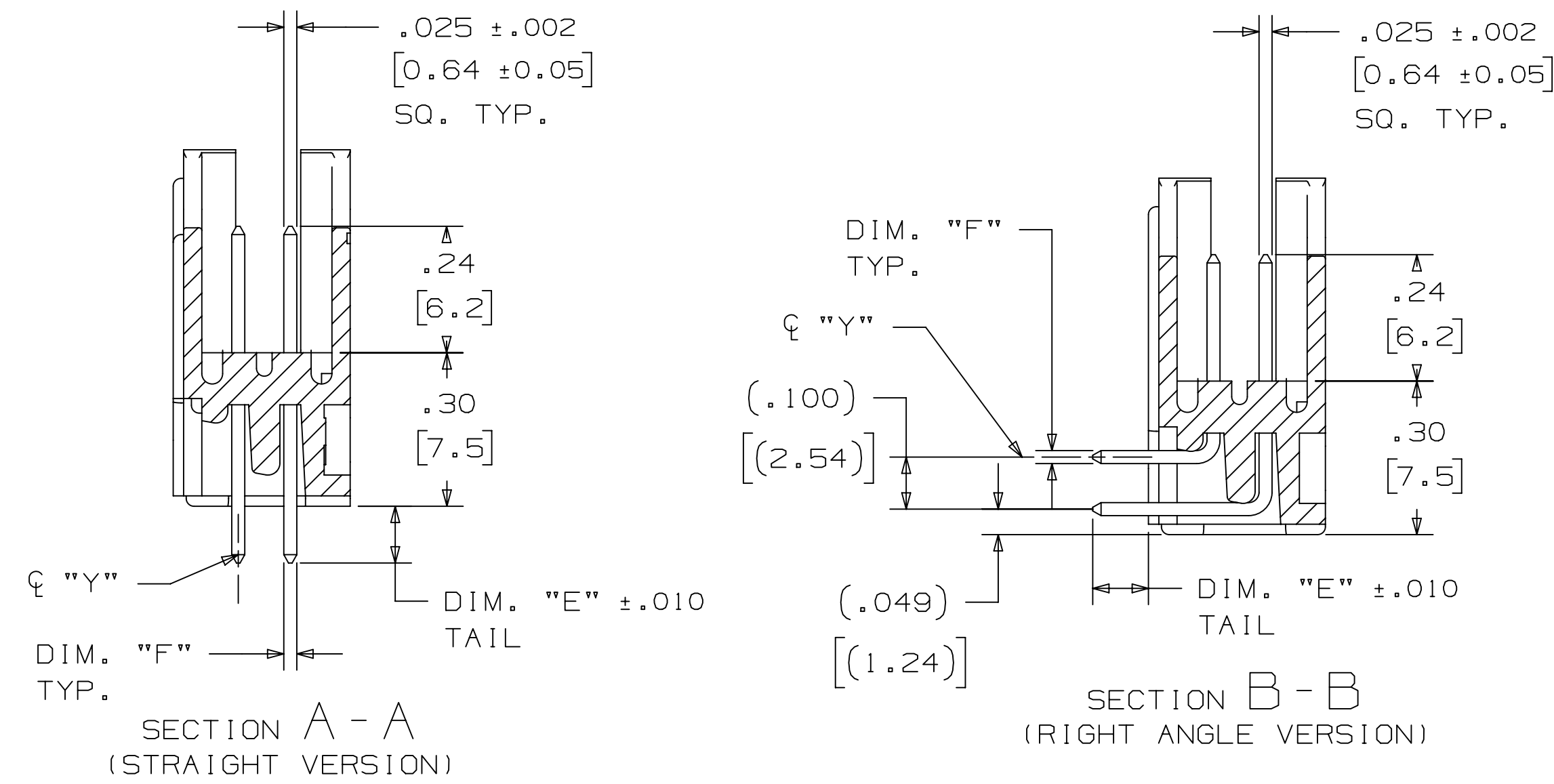
**CAUS**  
UL FILE NO: E68080

78-5100-0772-3  
DRAWING NUMBER

A

# 3M™ FOUR-WALL HEADER, 3000 SERIES

.100" X .100" LATCH/EJECTOR, STRAIGHT AND RIGHT ANGLE



PIN QTY.	3M PART NUMBER	DIM. "A"	DIM. "B"	DIM. "C"	DIM. "D"	POLARIZING NOTCHES	PIN QTY.
06	3869	1.06 [27.0]	.905 [22.99]	.665 [16.89]	.51 [12.9]	B*	06
08	3889	1.16 [29.5]	1.005 [25.53]	.765 [19.43]	.61 [15.5]	B*	08
10	3793	1.26 [32.1]	1.105 [28.04]	.865 [21.97]	.71 [18.0]	BC	10
14	3314	1.46 [37.2]	1.305 [33.12]	1.065 [27.05]	.91 [23.1]	BC	14
16	3408	1.56 [39.7]	1.405 [35.66]	1.165 [29.59]	1.01 [25.6]	ABC	16
20	3428	1.76 [44.8]	1.604 [40.74]	1.365 [34.67]	1.21 [30.7]	ABC	20
24	3627	1.96 [49.9]	1.805 [45.82]	1.565 [39.75]	1.41 [35.8]	ABC	24
26	3429	2.06 [52.4]	1.905 [48.36]	1.665 [42.29]	1.51 [38.3]	ABC	26
30	3440	2.26 [57.5]	2.105 [53.44]	1.865 [47.37]	1.71 [43.4]	ABC	30
34	3431	2.46 [62.6]	2.305 [58.52]	2.065 [52.45]	1.91 [48.5]	ABC	34
40	3432	2.76 [70.2]	2.605 [66.14]	2.365 [60.07]	2.21 [56.1]	ABC	40
50	3433	3.26 [82.9]	3.105 [78.84]	2.865 [72.77]	2.71 [68.8]	ABC	50
60	3372	3.76 [95.6]	3.605 [91.54]	3.365 [85.47]	3.21 [81.5]	ABC	60
64	3764	3.96 [100.7]	3.805 [96.62]	3.565 [90.55]	3.41 [86.6]	ABC	64

\* AVAILABLE WITHOUT CENTER NOTCH B, CONTACT 3M

3M PART NUMBER SUFFIX	CONTACT TAIL	DIM. "E"	PIN CROSS SECTION			DIM. "G"
			DIM. "F"	DIAGONALS	CORNER RADIUS	
-5XX2	.062 [1.57] THICK PC BOARD	.112 [2.84]	.0245+/- .0005 [ .622 ]	.028+/- .001 [ .71 ]	.0075 [ .191 ] REF.	.035+/- .003 [ .89 ] SEE NOTE 5
-6XX2						
-5X03	.094 [2.39] TO	.155 [3.94]	.0245+/- .0005 [ .622 ]	.028+/- .001 [ .71 ]	.0075 [ .191 ] REF.	.035+/- .003 [ .89 ]
-6X03	.125 [3.18] THICK PC BOARD					

REV	ECO	ISSUE DATE AND DESCRIPTION	DRFT	CHKD
X	115955	MAY 08, 2024 REMOVE 05 WWT TAIL	JNC	FJR
W	112712	NOV 29, 2023 UL VOLTAGE WAS 125	JNC	FJR
V	97909	JUN 22, 2021 REVISED ORDERING INFO	JNC	SAN
U	93619	JAN 07, 2021 REMOVE TIN LEAD PLATING AND KINK TAILS	JNC	SAN
T	62689	JUL 10, 2015 ADD 5X05 OPTION AND REVISE NOTES	JNC	SN
S	60056	MAR 06, 2015 REVISE ORDERING NUMBER	JNC	RS
R	56068	JUL 25, 2014 REVISED AND REDRAWN	JNC	RS

DESIGN REFERENCE	NEXT ASSEMBLY	REV	ECO	ISSUE DATE AND DESCRIPTION	DRFT	CHKD
		DRFT	CASTIGLIONE	DATE	JUL 25, 2014	MFG
		CHKD		DATE		APPV
						R. SCHERER
						DATE
						SEP 05, 2014

DIVISION: Interconnect Solutions  
 DO NOT SCALE DRAWING  
 THIRD ANGLE PROJECTION  
 MAX SURFACE ROUGHNESS: 0.000 ± 0.0002  
 INTERPRET PER ASME Y14.5 - 2018  
 MARKED ONLY

DIVISION CODE: EMSD  
 TOLERANCES EXCEPT AS NOTED  
 INCHES: .00 ± .01, .000 ± .005, .0000 ± .0002  
 MILLIMETERS: 0 ± .0002, .00 ± .0002

TITLE: 4-WALL HEADER, .100 X .100 LATCH/EJECT, STRAIGHT & RA  
 CAGE NUMBER: D78-5100-0772-3  
 MODEL: 3400  
 REV. NUMBER: X  
 DET: [ ] YES [X] NO  
 SHT 2 OF 5

3M ELECTRONICS MATERIALS SOLUTIONS DIVISION  
 INTERCONNECT SOLUTIONS  
<http://www.3m.com/interconnect>

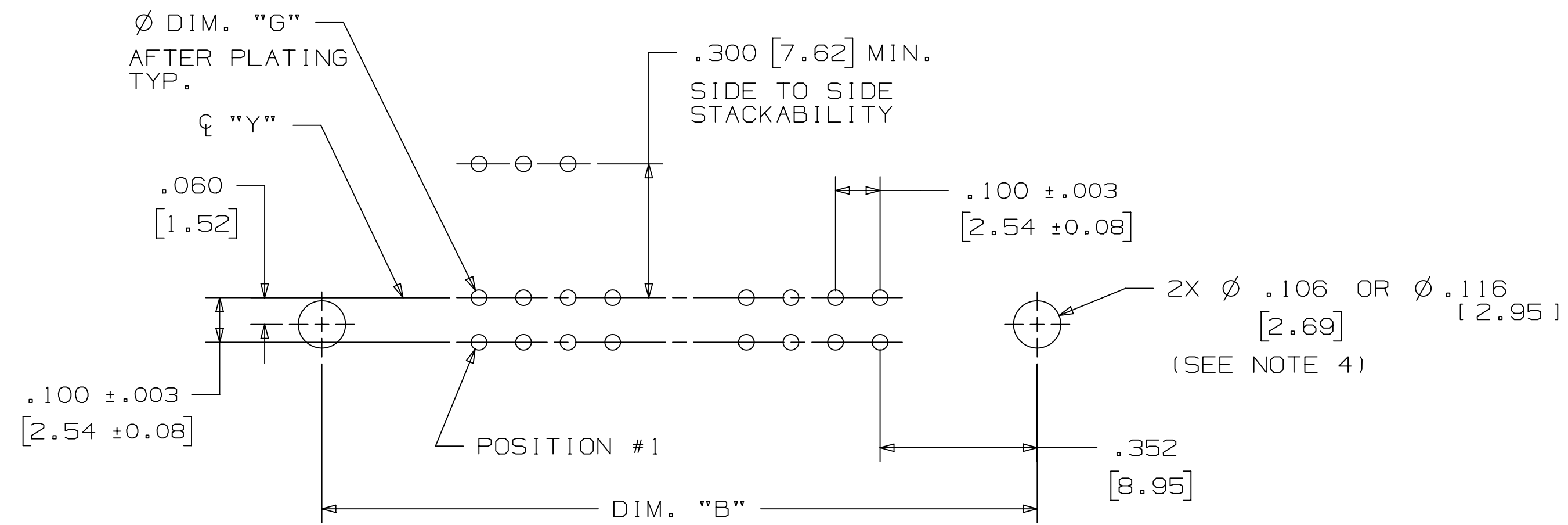
3M IS A TRADEMARK OF 3M COMPANY.  
 FOR TECHNICAL, SALES OR ORDERING  
 INFORMATION CALL 800-225-5373

78-5100-0772-3  
DRAWING NUMBER

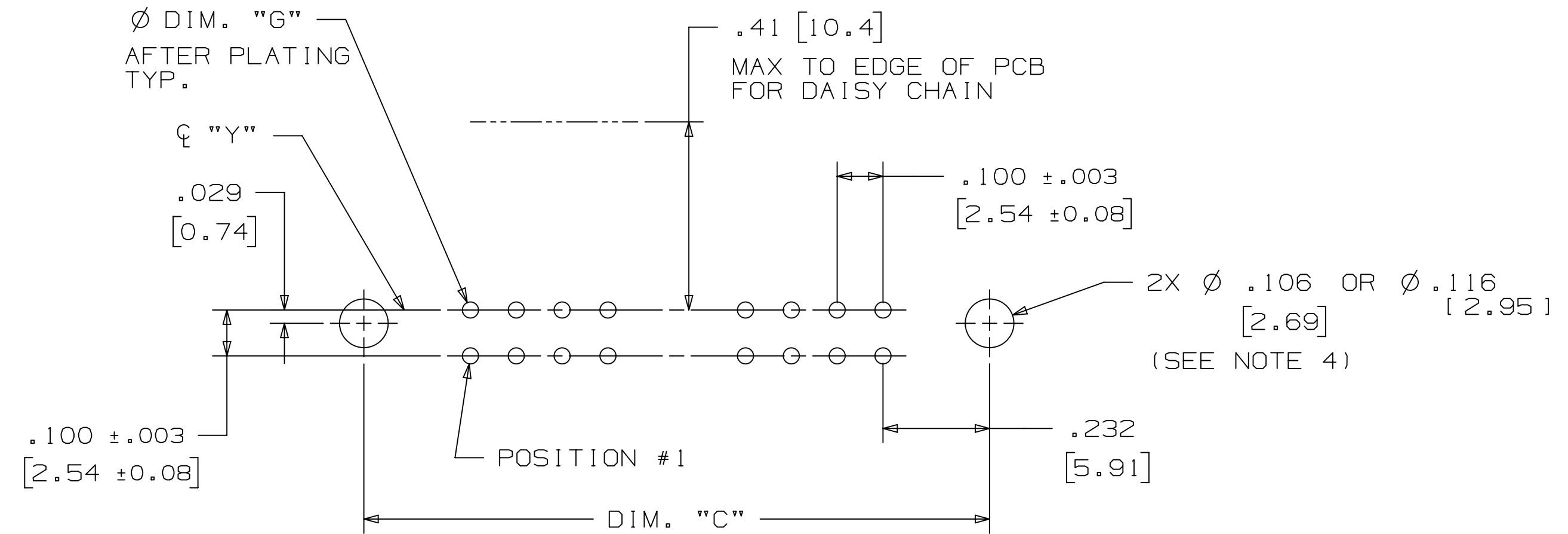
A

# 3M™ FOUR-WALL HEADER, 3000 SERIES

.100" X .100" LATCH/EJECTOR, STRAIGHT AND RIGHT ANGLE



RECOMMENDED MOUNTING HOLE PATTERN  
(STRAIGHT VERSION)



RECOMMENDED MOUNTING HOLE PATTERN  
(RIGHT ANGLE VERSION)

## PART CUSTOMIZATION

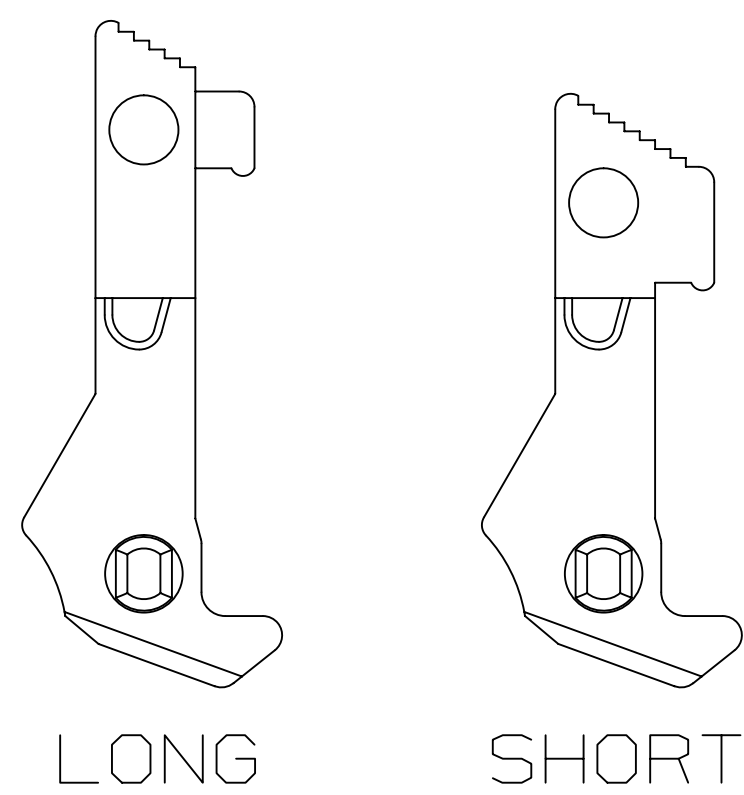
THIS SPEC SHEET DETAILS OUR STANDARD OFFERING.

3M HAS SEVERAL CAPABILITIES THAT CAN PROVIDE A PART TAILORED TO YOUR SPECIFIC NEEDS. ASK YOUR 3M SALES REPRESENTATIVE OR CUSTOMER SERVICE FOR MORE DETAILS.

BOTH SNAP-IN AND ROLL PIN LATCHES MAY BE ORDERED SEPARATELY. SNAP-IN AND ROLL PIN STYLE LATCHES ARE DIMENSIONALLY AND FUNCTIONALLY EQUIVALENT. IF ORDERING SNAP-IN OR ROLL PIN STYLE LATCHES SEPARATELY, PLEASE USE THE BELOW CHART.

MATERIAL	SHORT LATCH	LONG LATCH	LATCH STYLE	COLOR
HIGH TEMP. (PCT)	N3505-2B	N3505-3B	ROLL PIN	BLACK
HIGH TEMP (PPA)	N3505-30B	N3505-31B	SNAP-IN	BLACK

- \* SELECTIVE PIN REMOVAL (ATA OR OTHER COMPATABILITY)
- \* WIRE WRAP TAILS STYLE



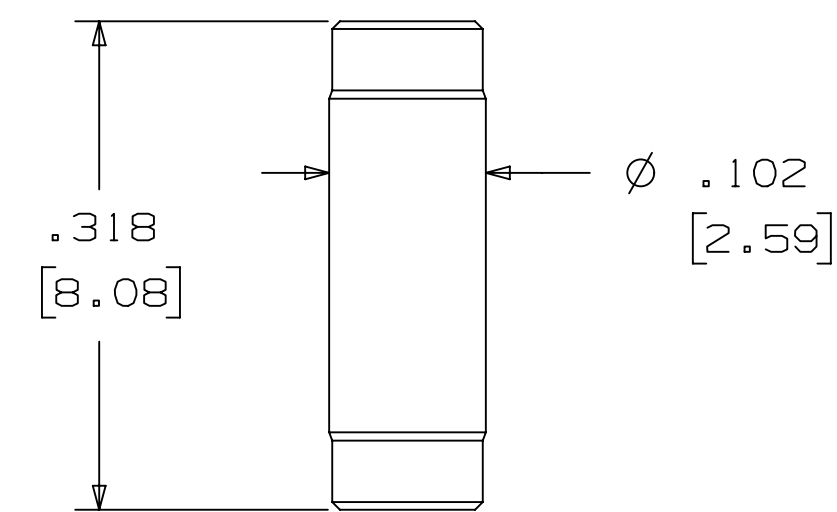
SNAP-IN LATCHES

NOTE:  
SNAP-IN LATCHES CAN ONLY BE ORDERED SEPARATELY AND ARE THE CUSTOMERS RESPONSIBILITY TO INSTALL.

3M ELECTRONICS MATERIALS SOLUTIONS DIVISION  
INTERCONNECT SOLUTIONS  
<http://www.3m.com/interconnect>

3M IS A TRADEMARK OF 3M COMPANY.  
FOR TECHNICAL, SALES OR ORDERING  
INFORMATION CALL 800-225-5373

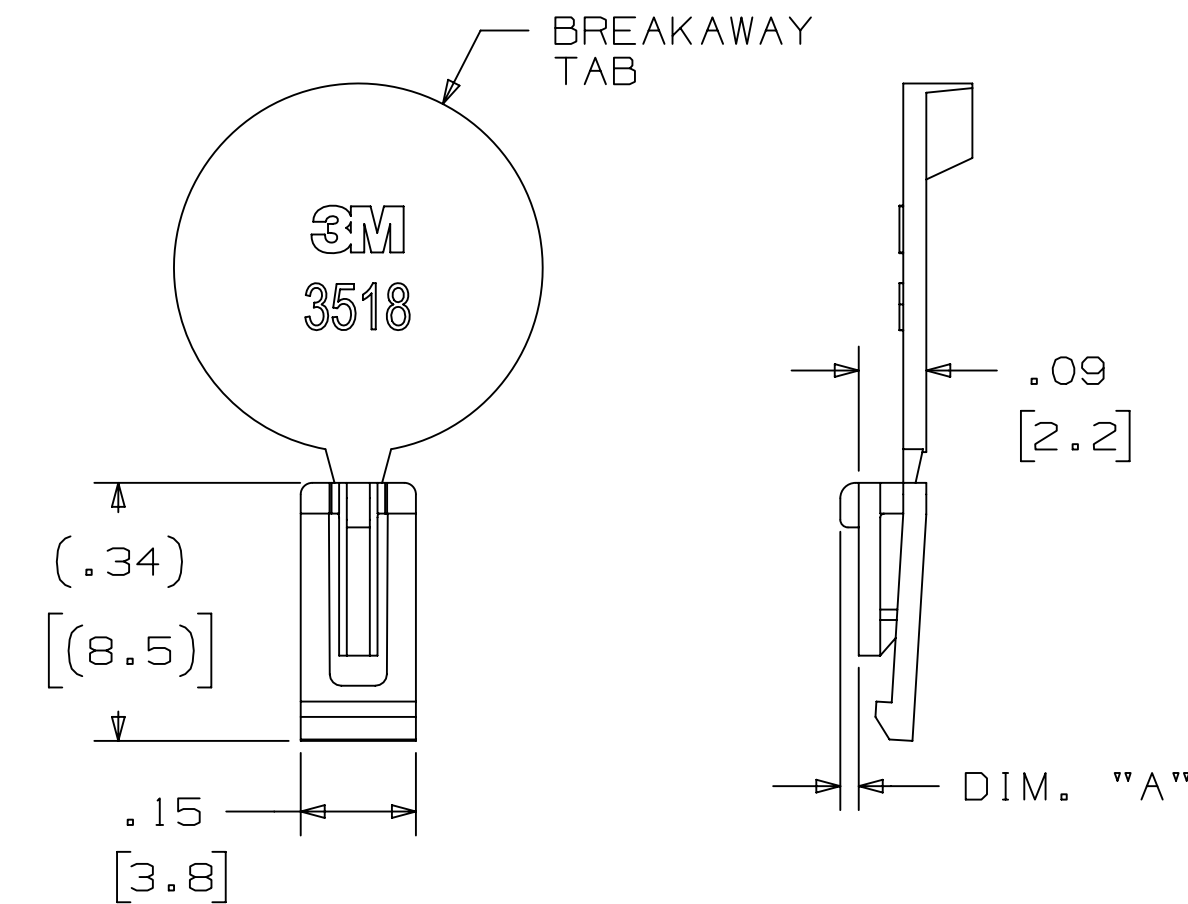
## POLARIZING POST



3M PART NO.	MATERIAL	COLOR
3201-4	LCP	BLACK

NOTE:  
INSERT POST INTO ONE MOUNTING  
HARDWARE HOLE ON BOTTOM OF HEADER.  
SET POST TO PROTRUDE .115 [2.92]

## POLARIZING KEYS



3M PART NO.	MATERIAL	COLOR	DIM. "A"
N3518	LCP	BLACK	.02

NOTE:  
#2216 B/A SCOTCHWELD CAN BE USED TO  
ADHERE KEYS.

REV	ECO	ISSUE DATE AND DESCRIPTION	DRFT	CHKD
X	115955	MAY 08, 2024 REMOVE 05 WWT TAIL	JNC	FJR
W	112712	NOV 29, 2023 UL VOLTAGE WAS 125	JNC	FJR
V	97909	JUN 22, 2021 REVISED ORDERING INFO	JNC	SAN
U	93619	JAN 07, 2021 REMOVE TIN LEAD PLATING AND KINK TAILS	JNC	SAN
T	62689	JUL 10, 2015 ADD 5X05 OPTION AND REVISE NOTES	JNC	SN
S	60056	MAR 06, 2015 REVISE ORDERING NUMBER	JNC	RS
R	56068	JUL 25, 2014 REVISED AND REDRAWN	JNC	RS

DESIGN REFERENCE	NEXT ASSEMBLY	REV	ECO	ISSUE DATE AND DESCRIPTION	DRFT	CHKD		
		DRFT	CASTIGLIONE	DATE	JUL 25, 2014	MFG	DATE	
		CHKD		DATE		APPV	DATE	
						R. SCHERER	SEP 05, 2014	

DIVISION	Interconnect Solutions	DIVISION CODE	EMSD
DO NOT SCALE DRAWING		TOLERANCES EXCEPT AS NOTED	
THIRD ANGLE PROJECTION		INCHES .0 ±.1 .00 ±.01 .000 ±.005 .0000 ±.0002	
INTERPRET PER ASME Y14.5 - 2018		MILLIMETERS 0 ± .0 ± .00 ± .000 ±	
MAX SURFACE ROUGHNESS		ALL SURFACES	
<input checked="" type="checkbox"/> MARKED ONLY		ANGLES	

TITLE	4-WALL HEADER, .100 X .100 LATCH/EJECT, STRAIGHT & RA
CAGE NUMBER	D78-5100-0772-3
MODEL	3400
REV.	X

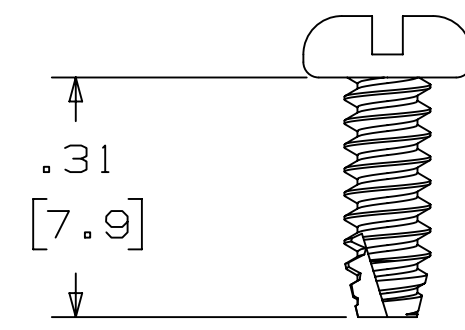
DRAWING NUMBER 78-5100-0772-3

REVISION

SHT 3 OF 5

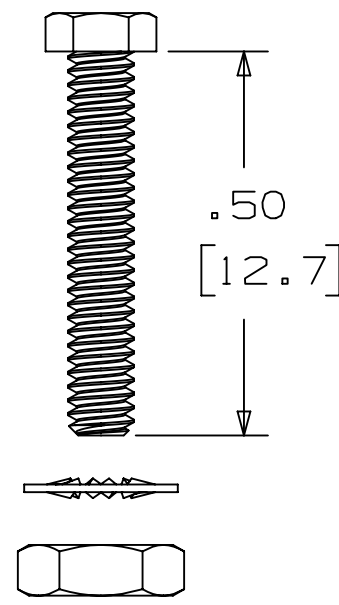
3M™ FOUR-WALL HEADER, 3000 SERIES  
 .100" X .100" LATCH/EJECTOR, STRAIGHT AND RIGHT ANGLE

MOUNTING HARDWARE

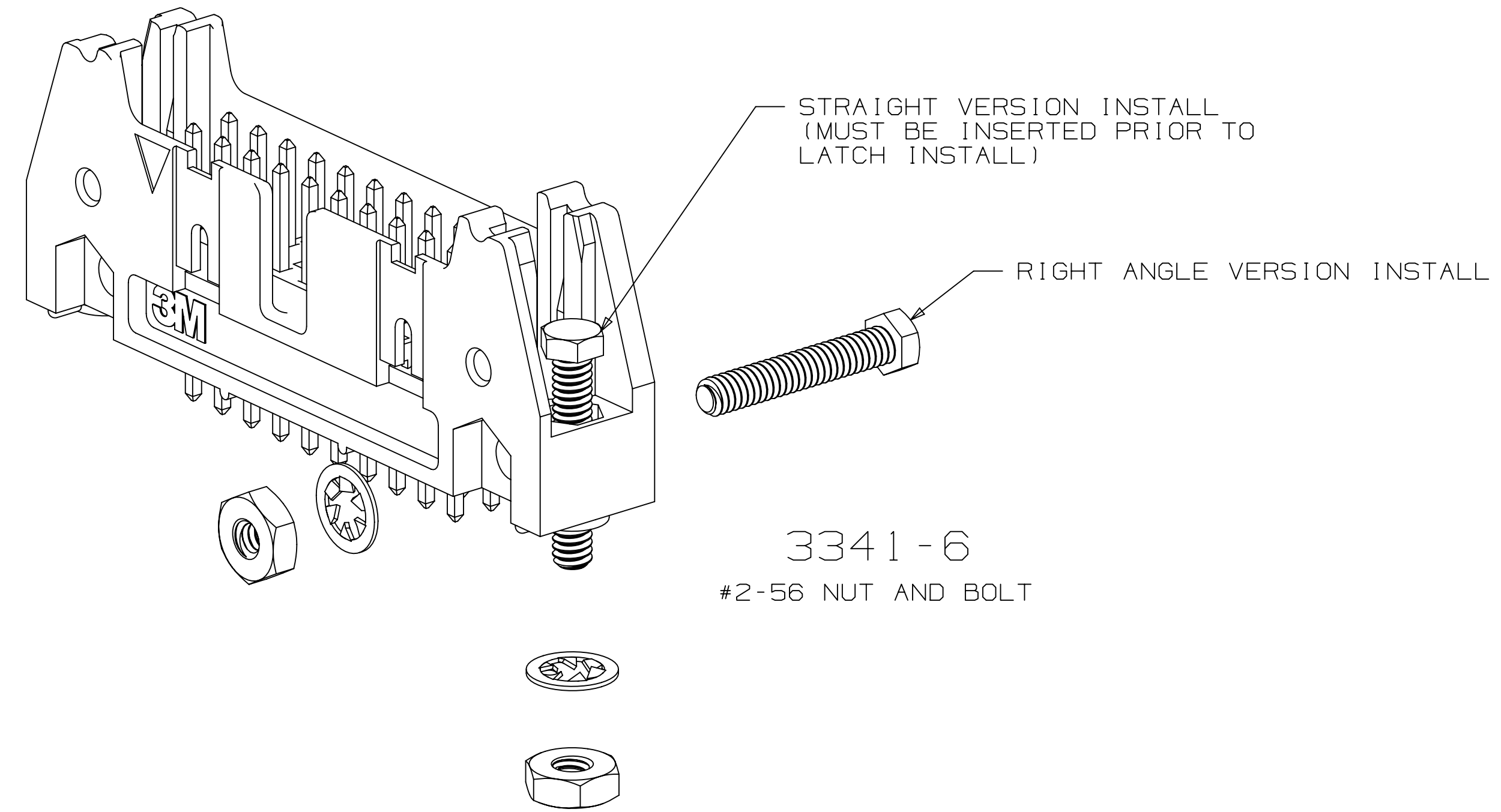


3341-5  
 (INSTALL FROM BOTTOM OF BOARD)  
 SEE NOTE 4

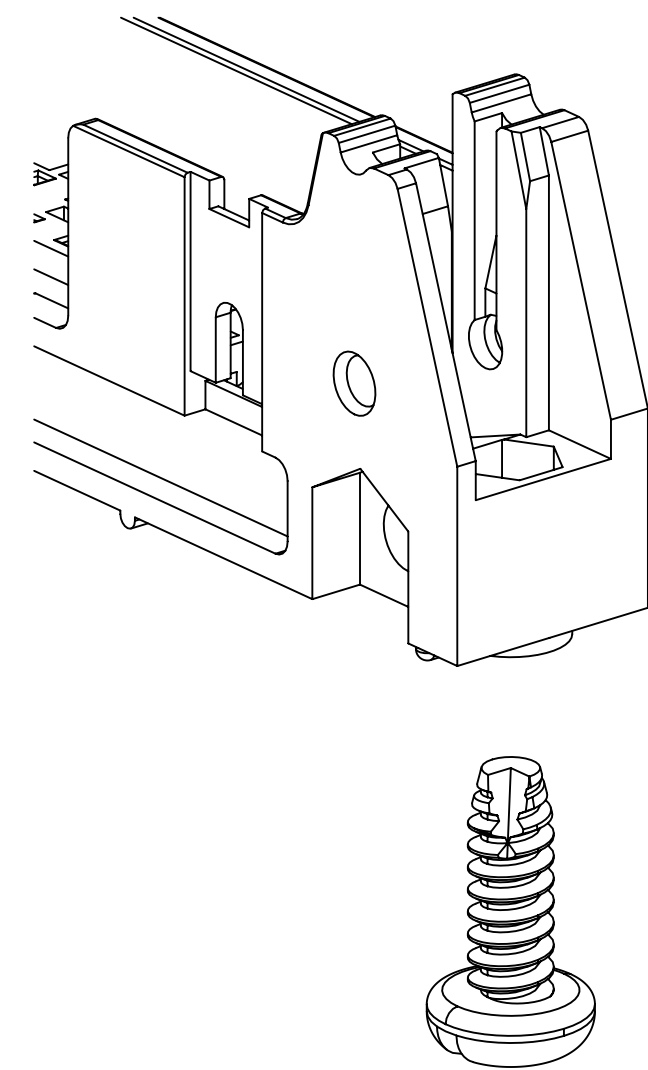
PANHEAD THREAD CUTTING SCREW:  
 #4-24 X 5/16"  
 TYPE: USA STD BT, FEDERAL BG  
 MATERIAL: STAINLESS STEEL



3341-6  
 HEX HEAD BOLT, NUT AND WASHER:  
 BOLT - #2-56 X 1/2"  
 MATERIAL: STAINLESS STEEL



3341-6  
 #2-56 NUT AND BOLT



3341-5

#4-24 TYPE BT SELF THREADING SCREW  
 WHEN USING LATCHES, MAXIMUM LENGTH  
 OF SCREW IS .250 INCHES PLUS  
 THICKNESS OF THE BOARD.

3M ELECTRONICS MATERIALS SOLUTIONS DIVISION  
 INTERCONNECT SOLUTIONS  
<http://www.3M.com/interconnect>

3M IS A TRADEMARK OF 3M COMPANY.  
 FOR TECHNICAL, SALES OR ORDERING  
 INFORMATION CALL 800-225-5373

REV	ECO	ISSUE DATE AND DESCRIPTION	DRFT	CHKD
X	115955	MAY 08, 2024 REMOVE 05 WWT TAIL	JNC	FJR
W	112712	NOV 29, 2023 UL VOLTAGE WAS 125	JNC	FJR
V	97909	JUN 22, 2021 REVISED ORDERING INFO	JNC	SAN
U	93619	JAN 07, 2021 REMOVE TIN LEAD PLATING AND KINK TAILS	JNC	SAN
T	62689	JUL 10, 2015 ADD 5X05 OPTION AND REVISE NOTES	JNC	SN
S	60056	MAR 06, 2015 REVISE ORDERING NUMBER	JNC	RS
R	56068	JUL 25, 2014 REVISED AND REDRAWN	JNC	RS

DESIGN REFERENCE	NEXT ASSEMBLY	REV	ECO	ISSUE DATE AND DESCRIPTION	DRFT	CHKD
		DRFT	CASTIGLIONE	DATE JUL 25, 2014	MFG	DATE
		CHKD		DATE	APPR	DATE
				R. SCHERER		SEP 05, 2014

DIVISION Interconnect Solutions	DIVISION CODE EMSD	This document and the information it contains are 3M property and may not be reproduced or further distributed without 3M permission, or used or disclosed other than for 3M authorized purposes. All rights reserved.
DO NOT SCALE DRAWING	TOLERANCES EXCEPT AS NOTED	
THIRD ANGLE PROJECTION	INCHES -0 ±.1 .00 ±.01 .000 ±.005 .0000 ±.0002	TITLE 4-WALL HEADER, .100 X .100 LATCH/EJECT, STRAIGHT & RA
INTERPRET PER ASME Y14.5 - 2018	MILLIMETERS 0 ± .0 ± .00 ± .000 ±	CAGE NUMBER D78-5100-0772-3
MAX SURFACE ROUGHNESS ALL SURFACES MARKED ONLY	ANGLES ±	MODEL 3400

78-5100-0772-3  
DRAWING NUMBER

A

3M™ FOUR-WALL HEADER, 3000 SERIES  
 .100" X .100" LATCH/EJECTOR, STRAIGHT AND RIGHT ANGLE

**Regulatory:** For regulatory information about this product, visit 3M.com/regs or contact your 3M representative.

**Technical Information:** The technical information, guidance, and other statements contained in this document or otherwise provided by 3M are based upon records, tests, or experience that 3M believes to be reliable, but the accuracy, completeness, and representative nature of such information is not guaranteed. Such information is intended for people with knowledge and technical skills sufficient to assess and apply their own informed judgment to the information. No license under any 3M or third party intellectual property rights is granted or implied with this information.

**Product Use:** Many factors beyond 3M's control and uniquely within user's knowledge and control can affect the use and performance of a 3M product in a particular application. As a result, customer is solely responsible for evaluating the product and determining whether it is appropriate and suitable for customer's application, including conducting a workplace hazard assessment and reviewing all applicable regulations and standards (e.g., OSHA, ANSI, etc.). Failure to properly evaluate, select, and use a 3M product in accordance with all applicable instructions and with appropriate safety equipment, or to meet all applicable safety regulations, may result in injury, sickness, death, and/or harm to property.

**Warranty, Limited Remedy, and Disclaimer:** Unless a different warranty is specifically stated on the applicable 3M product packaging or product literature (in which case such warranty governs), 3M warrants that each 3M product meets the applicable 3M product specification at the time 3M ships the product. 3M MAKES NO OTHER WARRANTIES OR CONDITIONS, EXPRESS OR IMPLIED, INCLUDING, BUT NOT LIMITED TO, ANY IMPLIED WARRANTY OR CONDITION OF MERCHANTABILITY, FITNESS FOR A PARTICULAR PURPOSE, OR ANY IMPLIED WARRANTY OR CONDITION ARISING OUT OF A COURSE OF DEALING, CUSTOM, OR USAGE OF TRADE. If a 3M product does not conform to this warranty, then the sole and exclusive remedy is, at 3M's option, replacement or repair of the 3M product or refund of the purchase price.

**Limitation of Liability:** Except for the limited remedy stated above, and except to the extent prohibited by applicable law, 3M will not be liable for any loss or damage arising from or related to the 3M product, whether direct, indirect, special, incidental, or consequential (including, but not limited to, lost profits or business opportunity), regardless of the legal or equitable theory asserted, including, but not limited to, warranty, contract, negligence, or strict liability.

**Disclaimer:** For industrial use only. Not intended, labeled or packaged for consumer sale or use.

3M Company  
 Electronics Materials Solutions Division  
 13011 McCallen Pass, Bldg. C  
 Austin, TX 78753-5380  
 1-800-225-5373  
 www.3M.com/interconnect

3M ELECTRONICS MATERIALS SOLUTIONS DIVISION  
 INTERCONNECT SOLUTIONS  
 http://www.3M.com/interconnect

3M IS A TRADEMARK OF 3M COMPANY.  
 FOR TECHNICAL, SALES OR ORDERING  
 INFORMATION CALL 800-225-5373

REV	ECO	ISSUE DATE AND DESCRIPTION	DRFT	CHKD
X	115955	MAY 08, 2024 REMOVE 05 WWT TAIL	JNC	FJR
W	112712	NOV 29, 2023 UL VOLTAGE WAS 125	JNC	FJR
V	97909	JUN 22, 2021 REVISED ORDERING INFO	JNC	SAN
U	93619	JAN 07, 2021 REMOVE TIN LEAD PLATING AND KINK TAILS	JNC	SAN
T	62689	JUL 10, 2015 ADD 5X05 OPTION AND REVISE NOTES	JNC	SN
S	60056	MAR 06, 2015 REVISE ORDERING NUMBER	JNC	RS
R	56068	JUL 25, 2014 REVISED AND REDRAWN	JNC	RS

DESIGN REFERENCE	NEXT ASSEMBLY	REV	ECO	ISSUE DATE AND DESCRIPTION	DRFT	CHKD
XXXXXX	XXXXXX	DRFT	CASTIGLIONE	DATE JUL 25, 2014	MFG	DATE
XXXXXX	XXXXXX	CHKD		DATE	APPR	DATE
					R. SCHERER	SEP 05, 2014

DIVISION	Interconnect Solutions	DIVISION CODE	EMSD
DO NOT SCALE DRAWING		TOLERANCES EXCEPT AS NOTED	
		INCHES	
THIRD ANGLE PROJECTION		.0 ± .1	
		.00 ± .01	
		.000 ± .005	
		.0000 ± .0002	
INTERPRET PER ASME Y14.5 - 2018		MILLIMETERS	
		0 ±	
MAX SURFACE ROUGHNESS		.0 ±	
		.00 ±	
<input checked="" type="checkbox"/> MARKED ONLY		.000 ±	
		ANGLES ±	

		© 3M COPYRIGHT 2024 This document and the information it contains are 3M property and may not be reproduced or further distributed without 3M permission, or used or disclosed other than for 3M authorized purposes. All rights reserved.
TITLE	4-WALL HEADER, .100 X .100 LATCH/EJECT, STRAIGHT & RA	
CAGE NUMBER	SIZE	DRAWING NO.
D		78-5100-0772-3
MODEL	3400	REV. X
DET [ ] YES [X] NO [ ] SHT 5 OF 5		

78-5100-0772-3  
DRAWING NUMBER