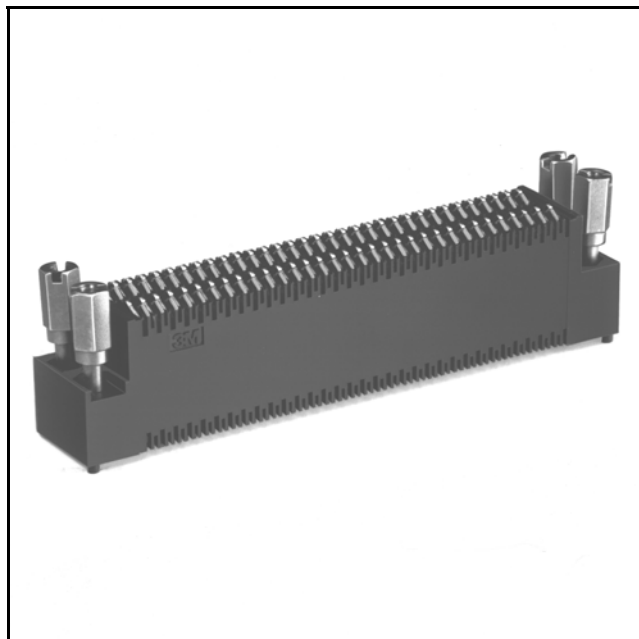


# 3M™ Pak 50 Stacking Compression Connector

130 Position

388 Series



- No solder joints, compression stacking connector
- Standardized interface for Intel Modular Interface eXtension (MIX) Bus (module to module and module to baseboard connector)
- Connector heights tailored for Multibus II environment
- 130 contacts to fully accommodate "MIX" bus signals
- RoHS\* compliant

Date Modified: February 15, 2005

TS-0422-13  
Sheet 1 of 5

---

## Physical

### Insulation

Material: Glass Filled Polyester (PPS)

Flammability: UL 94V-0

Color: Black

Marking: 3M Logo & Ink Stamped Part Number

### Stiffener

Material: Spring Steel

Coating: Black Epoxy

### Contact

Material: Beryllium Copper

### Plating

Underplating: 50 μ" (1.27 μm) Nickel - QQ-N-290, Class 2

Wiping Area: 30 μ" (0.76 μm) Gold - MIL-G-45204, Type II, Grade C

---

## Electrical

Current Rating: 1 A

Insulation Resistance:  $> 1 \times 10^9 \Omega$  at 500 VDC

Withstanding Voltage: 30 V

---

## Environmental

Temperature Rating: -55°C to +105°C

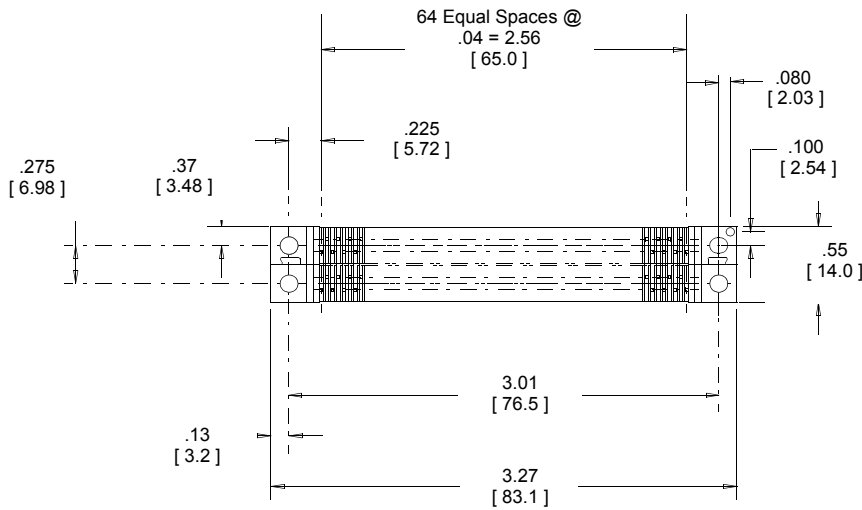
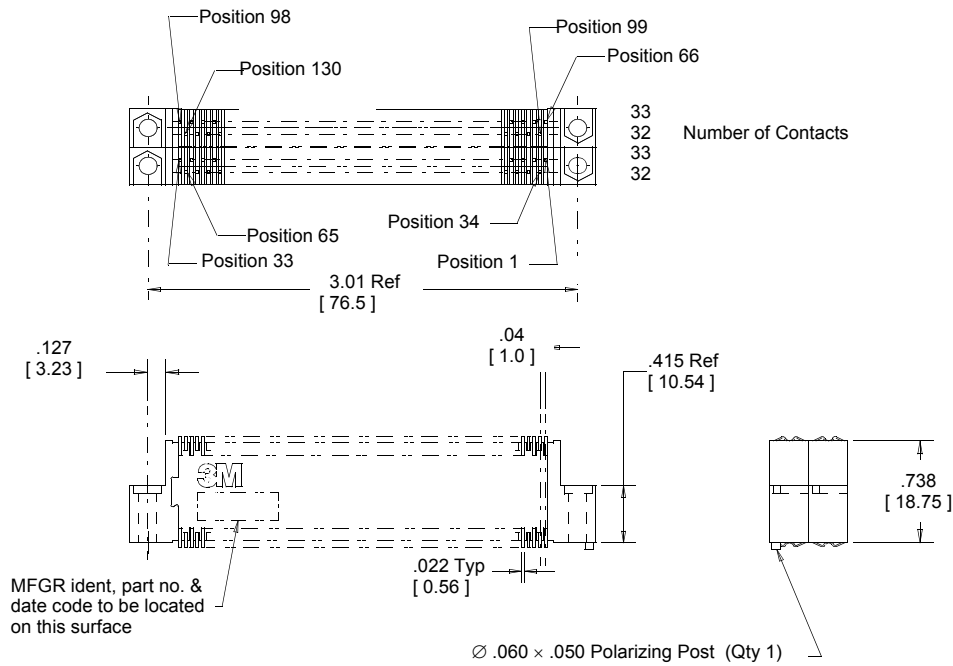
UL File No.: E68080

\*RoHS = Directive 2002/95/EC,  
Restriction of the Use of Certain Hazardous Substances in Electrical and Electronic Equipment

# 3M™ Pak 50 Stacking Compression Connector

130 Position

388 Series



Inch  
[mm]

Tolerance Unless Noted			
	.0	.00	.000
inch	±.1	±.01	±.005

[ ] Dimensions for Reference Only

Note:

1. Each connector includes (4) jackscrews, 3M #3342-7 (See next page) .

## Ordering Information

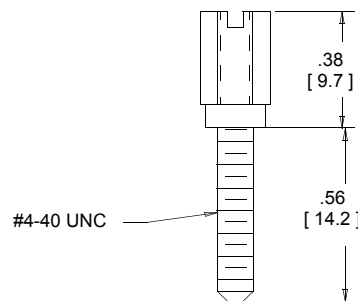
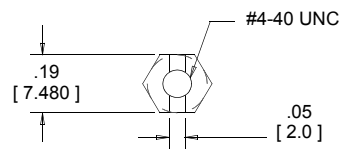
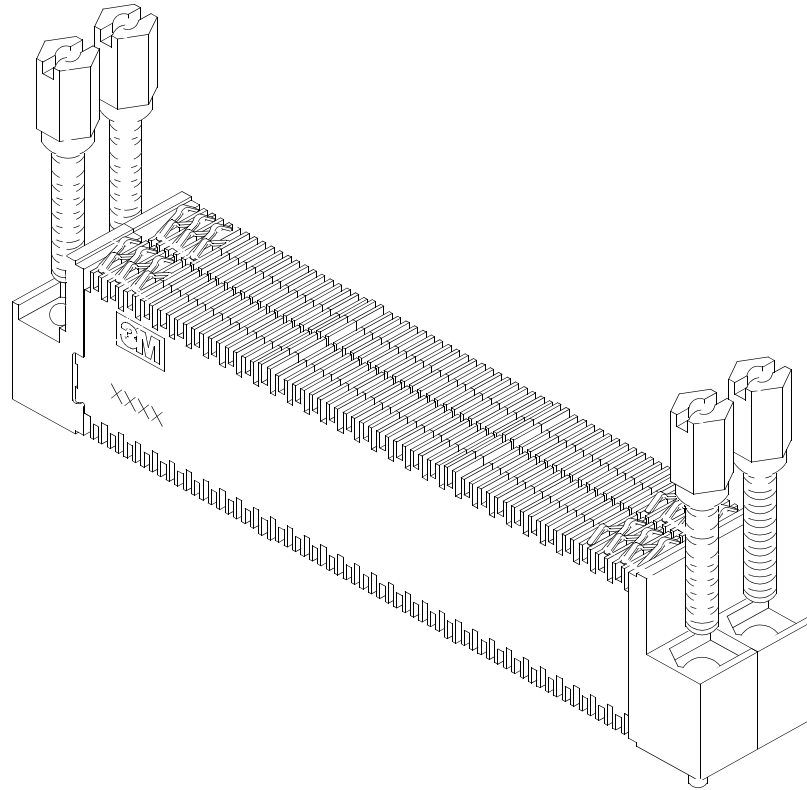
**3884-000A**

TS-0422-13  
Sheet 2 of 5

# 3M™ Pak 50 Stacking Compression Connector

130 Position

388 Series



Jackscrew, Stainless Steel

3M# 3342-7

(See note 1)

TS-0422-13  
Sheet 3 of 5

# 3M™ Pak 50 Stacking Compression Connector

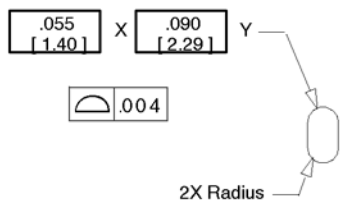
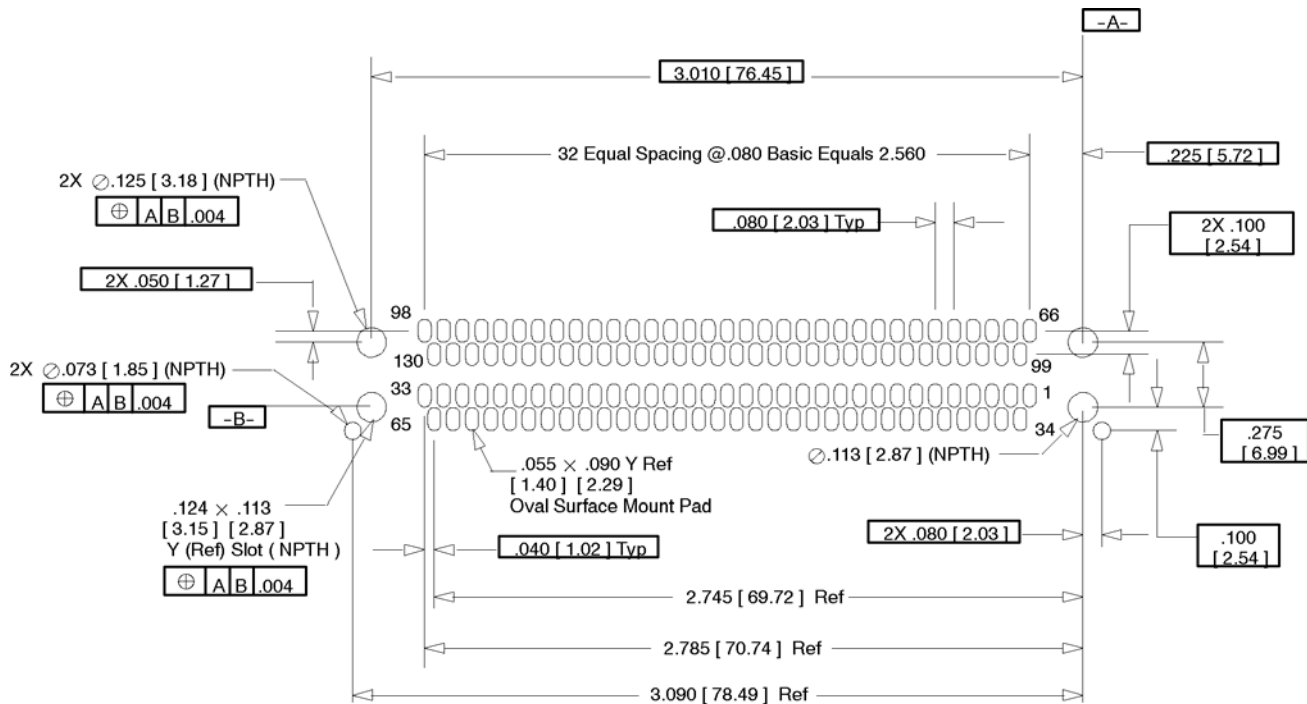
130 Position

388 Series

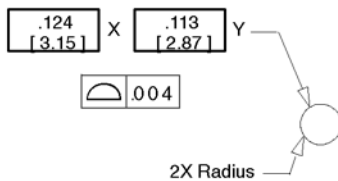
## Board and Footprint Specification

- Board**  
**Material:** G10 Glass Filled Epoxy  
**Thickness:** .062" ± .0008"
- Pad**  
**Material:** 1.0 ounce Copper  
**Size:** .055" x .090" Oval  
**Thickness:** .0012" minimum  
**Underplating:** 100 μ" (2.54 μm) Nickel - QQ-N-290  
**Plating:** 30 μ" (0.76 μm) Gold - MIL-G-45204, Type II, Grade C, 130-220 Knoop hardness

## MIX Connector Footprint pad and hole locations Primary and Secondary Sides (Viewed from primary side)



**Oval SMT Pad**  
**Detail**



**Slot Detail**  
**(NPTH)**

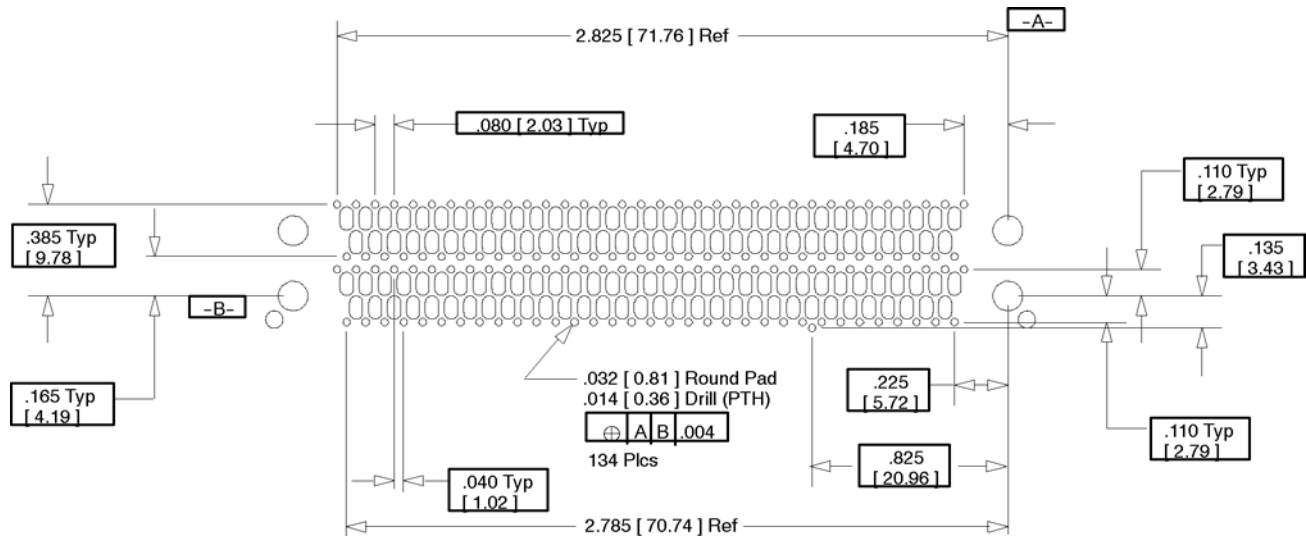
TS-0422-13  
 Sheet 4 of 5

# 3M™ Pak 50 Stacking Compression Connector

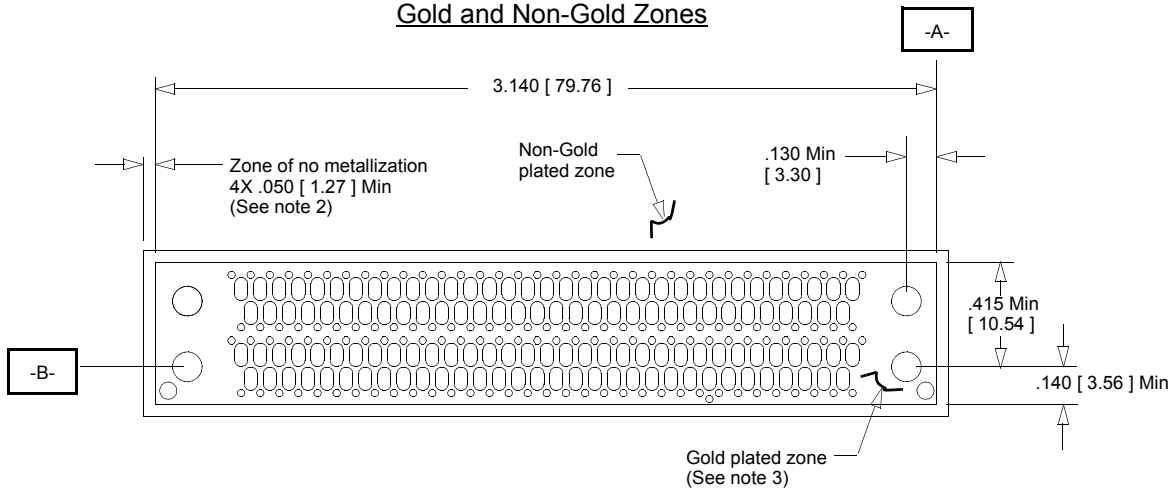
130 Position

388 Series

**MIX Connector Footprint**  
**Via Locations**  
**Primary and Secondary**  
**Sides**  
 (Viewed from primary side)



**MIX Connector Footprint**  
**Gold and Non-Gold Zones**



Notes:

2. Zone of no metallization is to be clear of any copper on the primary and secondary sides.
3. Gold plated zone is to be clear of any vias other than the established via pattern.

TS-0422-13  
 Sheet 5 of 5

## Important Notice

All statements, technical information, and recommendations related to 3M's products are based on information believed to be reliable, but the accuracy or completeness is not guaranteed. Before using this product, you must evaluate it and determine if it is suitable for your intended application. You assume all risks and liability associated with such use. Any statements related to the product which are not contained in 3M's current publications, or any contrary statements contained on your purchase order shall have no force or effect unless expressly agreed upon, in writing, by an authorized officer of 3M.

## Warranty; Limited Remedy; Limited Liability.

This product will be free from defects in material and manufacture for a period of 1 year from the time of purchase. **3M MAKES NO OTHER WARRANTIES INCLUDING, BUT NOT LIMITED TO, ANY IMPLIED WARRANTY OF MERCHANTABILITY OR FITNESS FOR A PARTICULAR PURPOSE.** If this product is defective within the warranty period stated above, your exclusive remedy shall be, at 3M's option, to replace or repair the 3M product or refund the purchase price of the 3M product. **Except where prohibited by law, 3M will not be liable for any indirect, special, incidental or consequential loss or damage arising from this 3M product, regardless of the legal theory asserted.**

# 3M

## Electronic Solutions Division

6801 River Place Blvd.  
Austin, TX 78726-9000  
[www.3M.com/esd](http://www.3M.com/esd)



Minimum 10%  
Post-consumer Fiber

Printed in USA.

© 3M 2005