

3M™ Secure Click™ Reusable Half Mask, HF-800 Series

To maintain protection levels, optimise the effective lifetime of the system and avoid the additional cost of replacement, it is extremely important to carry out regular checks and maintenance on Reusable Respirators

► Before Use

This respirator must be inspected before each use and at the time of cleaning to ensure it is in good operating condition. Any damaged or defective parts must be replaced prior to use. Do not enter a contaminated area with damaged or defective parts. If the respirator is dropped or otherwise impacted, inspect the respirator and filters for damage and ensure the filters remain properly attached to the facepiece. Ensure the filter release button is in the latched position. The following inspection procedure is recommended.

- **Facepiece:** Check for cracks, tears and dirt. Be certain facepiece, especially faceseal area and filter connection seal area, is not distorted.
- **Inhalation valve:** Examine for signs of debris, distortion, cracking or tearing. Ensure valve lays flat against valve seat.
- **Straps:** Make sure straps are intact and have good elasticity.
- **Buckles:** Examine for damage or any signs of cracking or fatiguing.
- **Exhalation valve:** Remove head harness assembly (see Head Harness Assembly Replacement procedure in these User Instructions) and examine exhalation valve and valve seat for signs of dirt, distortion, cracking or tearing. Ensure valve lays flat against valve seat.
- **Filter connection:** Examine connection area for distortion or dirt/particulate that could prevent filters/cartridges from sealing to the respirator.
- **Speaking diaphragm (SD):** If SD version of the facepiece is used, ensure the seal surrounding the speaking diaphragm is in place and is in good condition. Ensure it is properly inserted in the facepiece, and ensure the speaking diaphragm film is intact.
- **Filters:** Examine filters for damage. Ensure filters are properly attached to facepiece prior to using the facepiece and the filter release button is in the latched position. Refer to filter User Instructions for complete inspection procedures.

► After use

Cleaning is recommended after each use. CAUTION Do not use cleaners containing lanolin or other oils on these products. Do not autoclave. For information regarding cleaning in an automated respirator washing machine, please contact 3M.

- 3M™ 105 Wipe should be used to wipe the face seal of the product
- Remove filters. The head harness, exhalation valve, inhalation valve, and speaking diaphragm (if applicable) can also be disassembled if necessary.
- Clean parts by immersing in warm cleaning solution, water temperature not to exceed 50°C, and scrub with soft brush until clean. Add neutral detergent if necessary.
- Ensure the filter connection area is free of debris. Use a cloth or soft brush to reach this area and/or move facepiece back and forth quickly while immersed in cleaning solution.
- Disinfect facepiece by soaking in a solution of quaternary ammonia disinfectant or sodium hypochlorite 30ml household bleach in 7.5 L of water), or other disinfectant.
- Rinse in fresh, warm water and air dry in non-contaminated atmosphere.

► Storage

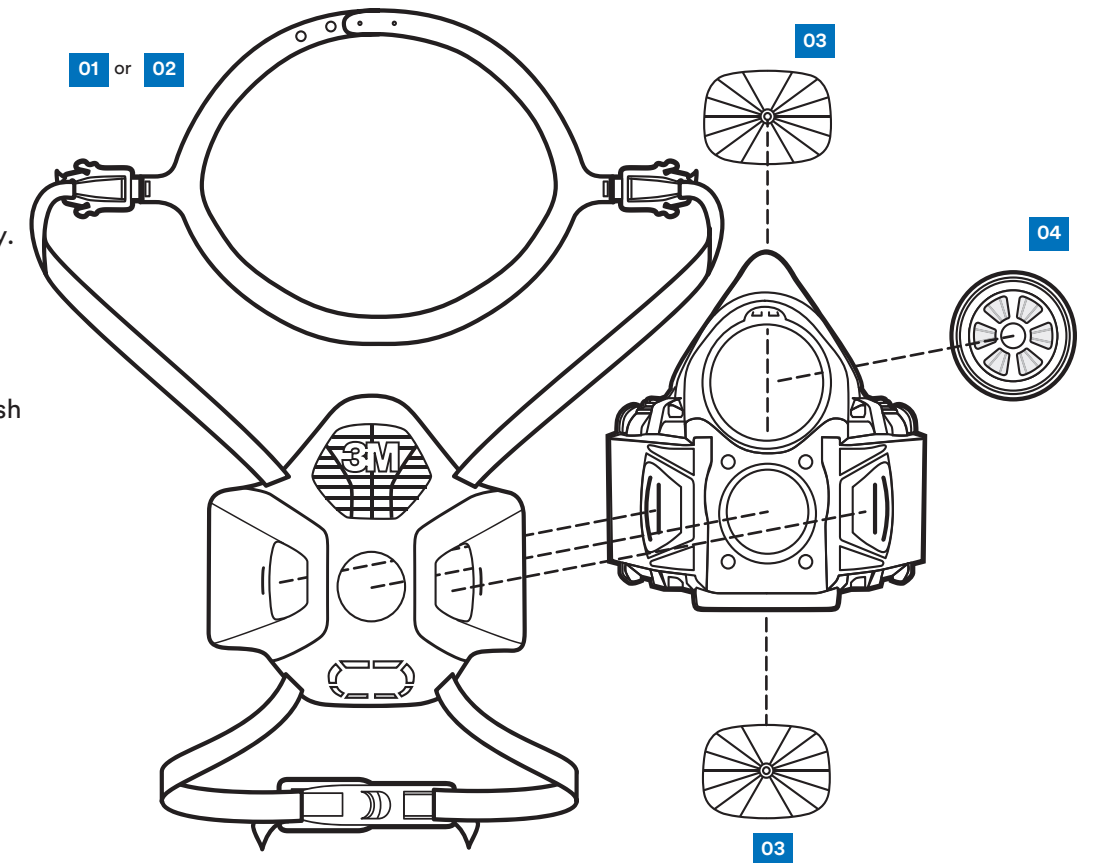
- The cleaned respirator should be stored away from contaminated areas when not in use.

► Ordering consumables, repair parts and accessories

To request a quote or place an order for these items, please contact your 3M Approved Distributor.

► Further information and advice

If you require additional guidance on the Care and Maintenance of your 3M™ Reusable Respirator, please contact the Helpline or your local 3M representative.



Replace all damaged parts immediately to ensure correct levels of protection.

Description		Part no.
01	Head Harness Assembly, Non-SD Version	HF-800-01
02	Head Harness Assembly, SD Version	HF-800-04
03	Inhale / exhale valve	HF-800-02
04	Speaking Diaphragm	HF-800-05

Note

3M does not accept responsibility or liability, direct or consequential, arising from reliance upon any information provided and the user should determine the suitability of the products for their intended use. Nothing in this statement will be deemed to exclude or restrict 3M's liability for death or personal injury arising from its negligence or fraudulent misrepresentation.

