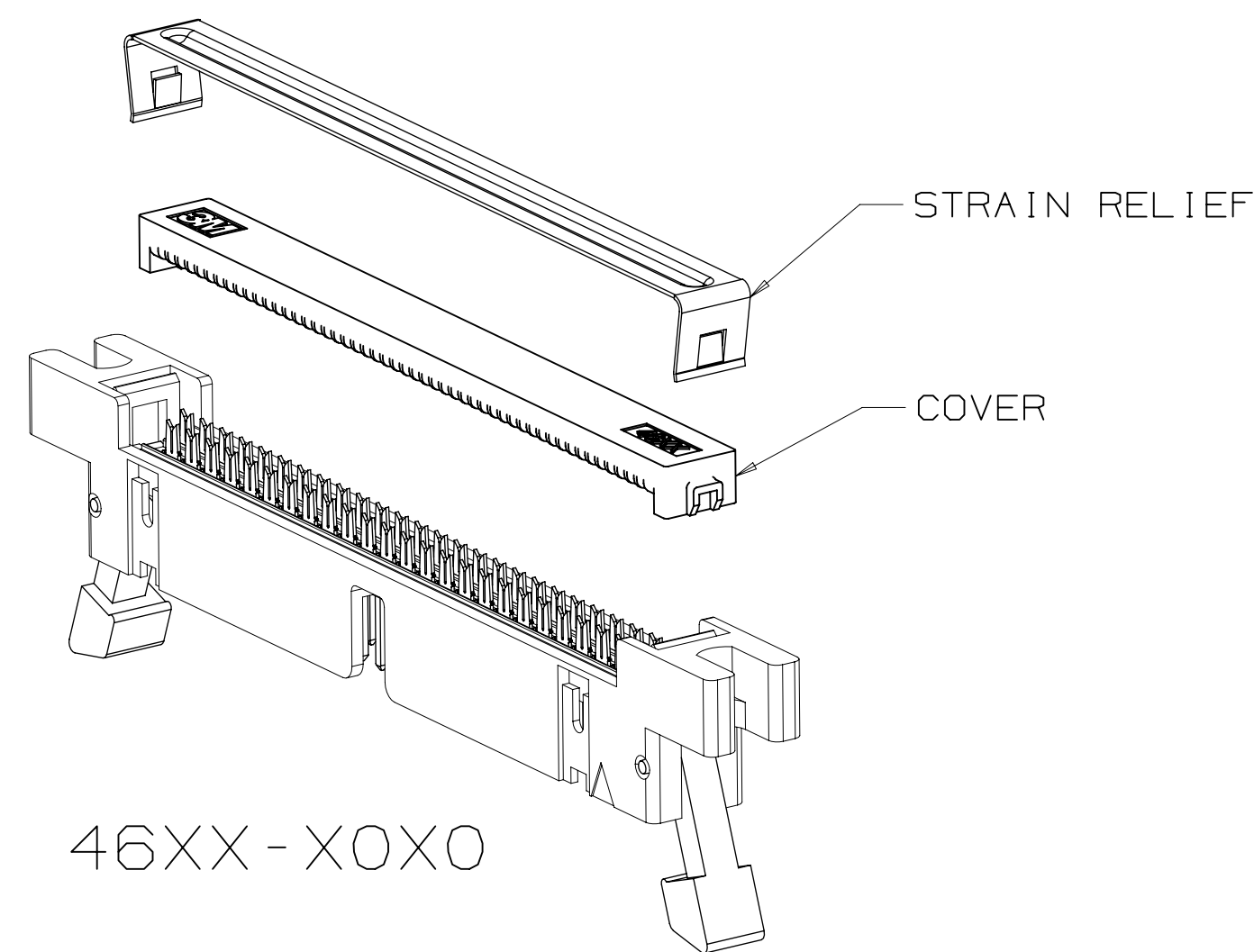
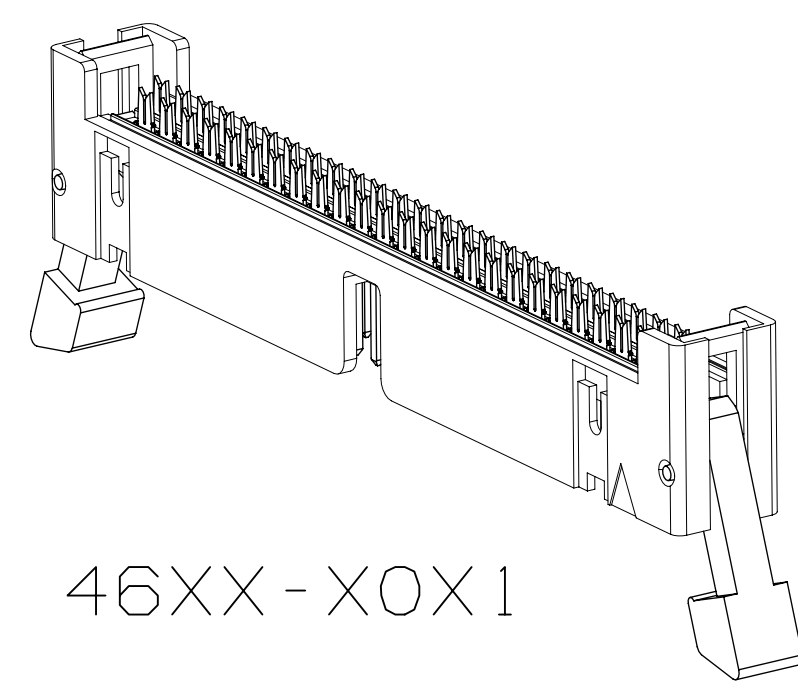


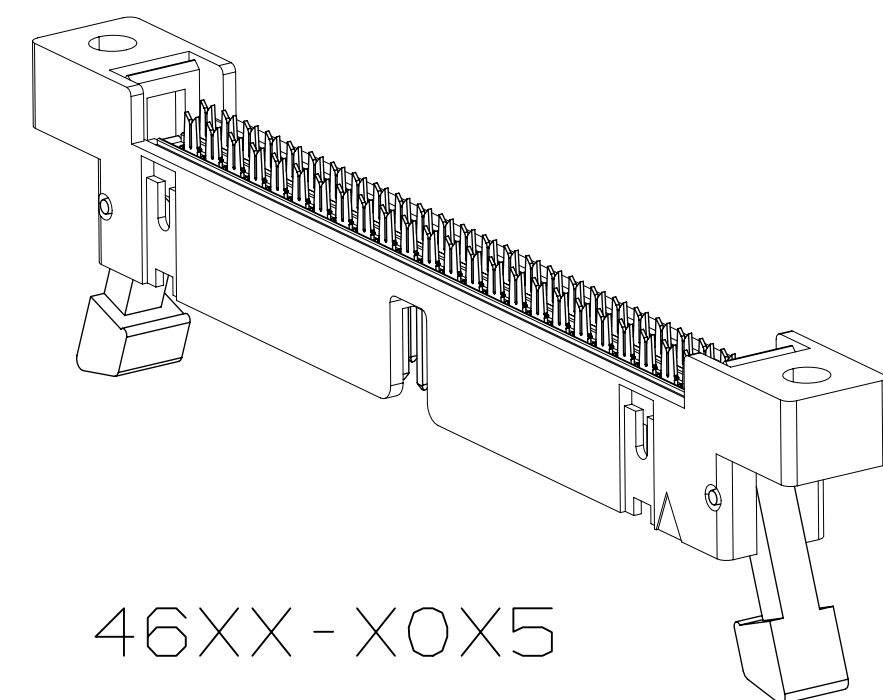
3M™ WIREMOUNT PLUG, 4600 SERIES  
 .100 X .100, LATCH/EJECT CONNECTOR FOR .050" PITCH CABLE



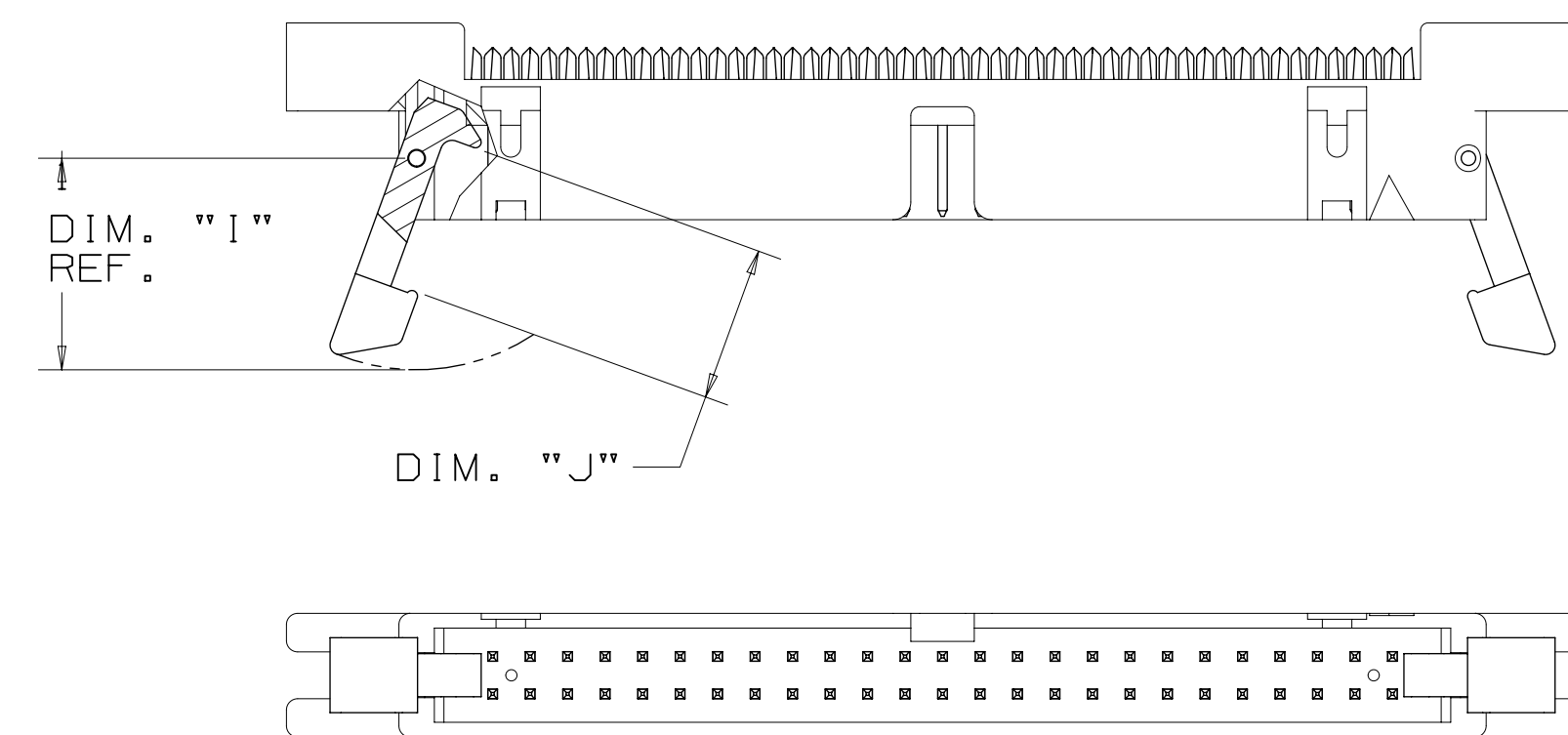
46XX-X0X0



46XX-X0X1



46XX-X0X5



PERFORMANCE:	
CURRENT RATING:	1.50 A, ALL CONTACTS POWERED 2.25 A, 6 CONTACTS POWERED 5.50 A, 1 CONTACT POWERED (RATING CONDITIONS: EIA-364-070, METHOD 2, 30° C MAXIMUM TEMPERATURE RISE)
UL & CUL VOLTAGE RATING:	125V <sub>ac</sub>
INSULATION RESISTANCE:	> 1 × 10 <sup>9</sup> Ohms AT 500 VDC
WITHSTANDING VOLTAGE:	1000 VACrms AT SEA LEVEL
OPERATING TEMPERATURE:	-55° C TO +105° C

AGENCY LISTINGS:  
 UNDERWRITERS LABORATORIES (UL): FILE No. E68080  
 UL RATINGS: TEMPERATURE: 130° C VOLTAGE: 125V CURRENT: 1.0A  
 CUL RATINGS: TEMPERATURE: 130° C VOLTAGE: 125V CURRENT: 1.0A

- NOTES
- REGULATORY INFORMATION:  
VISIT 3M.com/regs
  - IN THE EVENT OF CONFLICT BETWEEN THIS DATA AND THAT CONTAINED IN THE PRODUCT SPECIFICATION, THE PRODUCT SPECIFICATION TAKES PRECEDENT.

PHYSICAL:

INSULATOR: MATERIAL: GLASS FILLED POLYESTER (PBT)  
 FLAMMABILITY: UL94V-0  
 COLOR: GRAY  
 CONTACT: MATERIAL: COPPER ALLOY  
 PLATING:  
 UNDER PLATING: 100μ" [2.54μm] NICKEL-OVERALL  
 "U" SLOT: GOLD FLASH  
 WIPING AREA: 30μ" [0.76μm] GOLD  
 WIRE ACCOMMODATION: 26 AND 28 AWG SOLID AND STRANDED  
 MARKINGS: 3M LOGO AND LOT NUMBER

STRAIN RELIEF

(ORDER SEPARATELY)

3448-46XX

CONTACT QTY:  
(SEE TABLE 1)

ORDERING INFORMATION

46XX-XXXX

CONTACT QTY:  
(SEE TABLE 1)

COVER STYLE:  
 6=OPEN END  
 (DAISY CHAINING/BUSSING  
 STANDARD)  
 7=CLOSED END  
 (END CABLE TERMINATION)

EJECTOR/LATCH SYSTEM:  
 0=NONE (STANDARD)  
 2=SHORT EJECTOR LATCH (3505-16)  
 3=LONG EJECTOR LATCH (3505-17)

BODY STYLE:  
 0=W/MOUNTING FLANGE (STANDARD)  
 1=W/OUT MOUNTING FLANGE  
 5=MOUNTING FLANGE W/THREADED INSERT  
 FROM SOCKET MATING SIDE

POLARIZATION:  
 0=FOR CONTACT QTY 14 TO 64  
 0=FOR NOTCH C ON 10 POSITION  
 5=FOR NOTCH B ON 10 POSITION

ASSEMBLY TOOLS:  
 3M™ PRESS 3640 (OR EQUIVALENT),  
 3M™ LOCATOR PLATE 3443-96,  
 3M™ PLATTEN 3442-9

3M ELECTRONICS MATERIALS SOLUTIONS DIVISION  
 INTERCONNECT SOLUTIONS  
<http://www.3M.com/interconnect>

3M IS A TRADEMARK OF 3M COMPANY.  
 FOR TECHNICAL, SALES OR ORDERING  
 INFORMATION CALL 800-225-5373



DIMENSIONS: INCH [MM]  
 [MM] FOR REF. ONLY

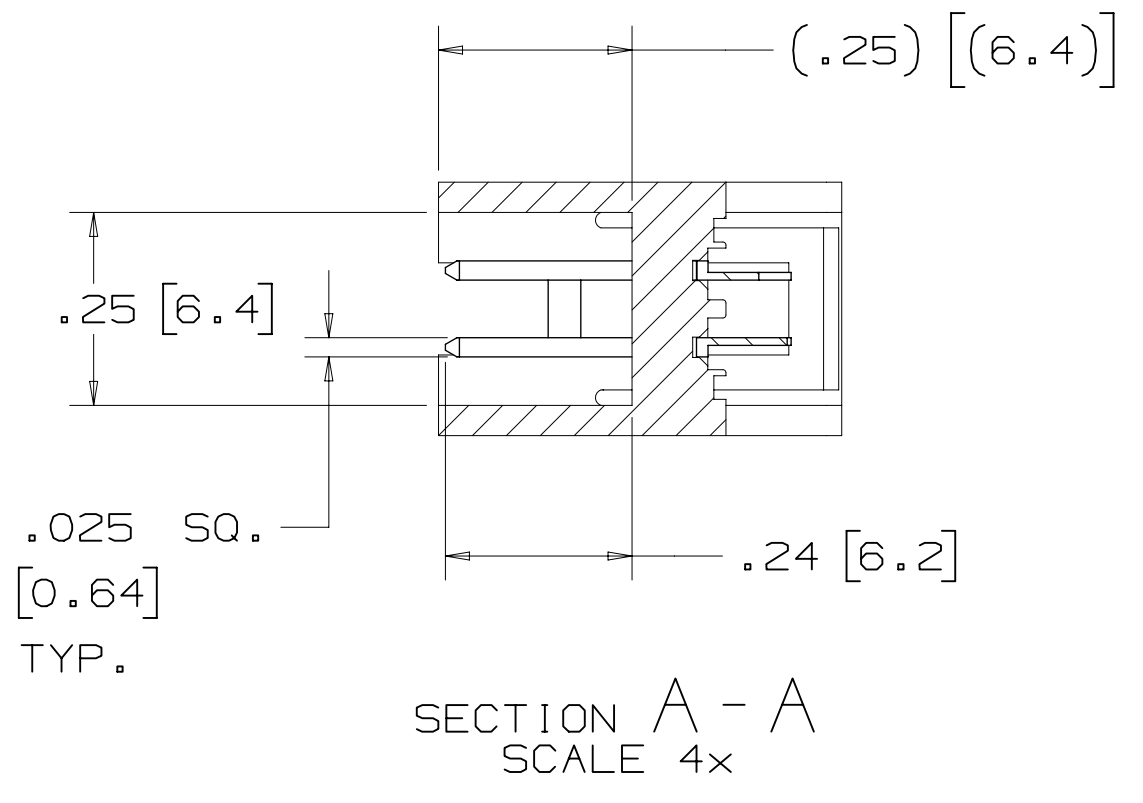
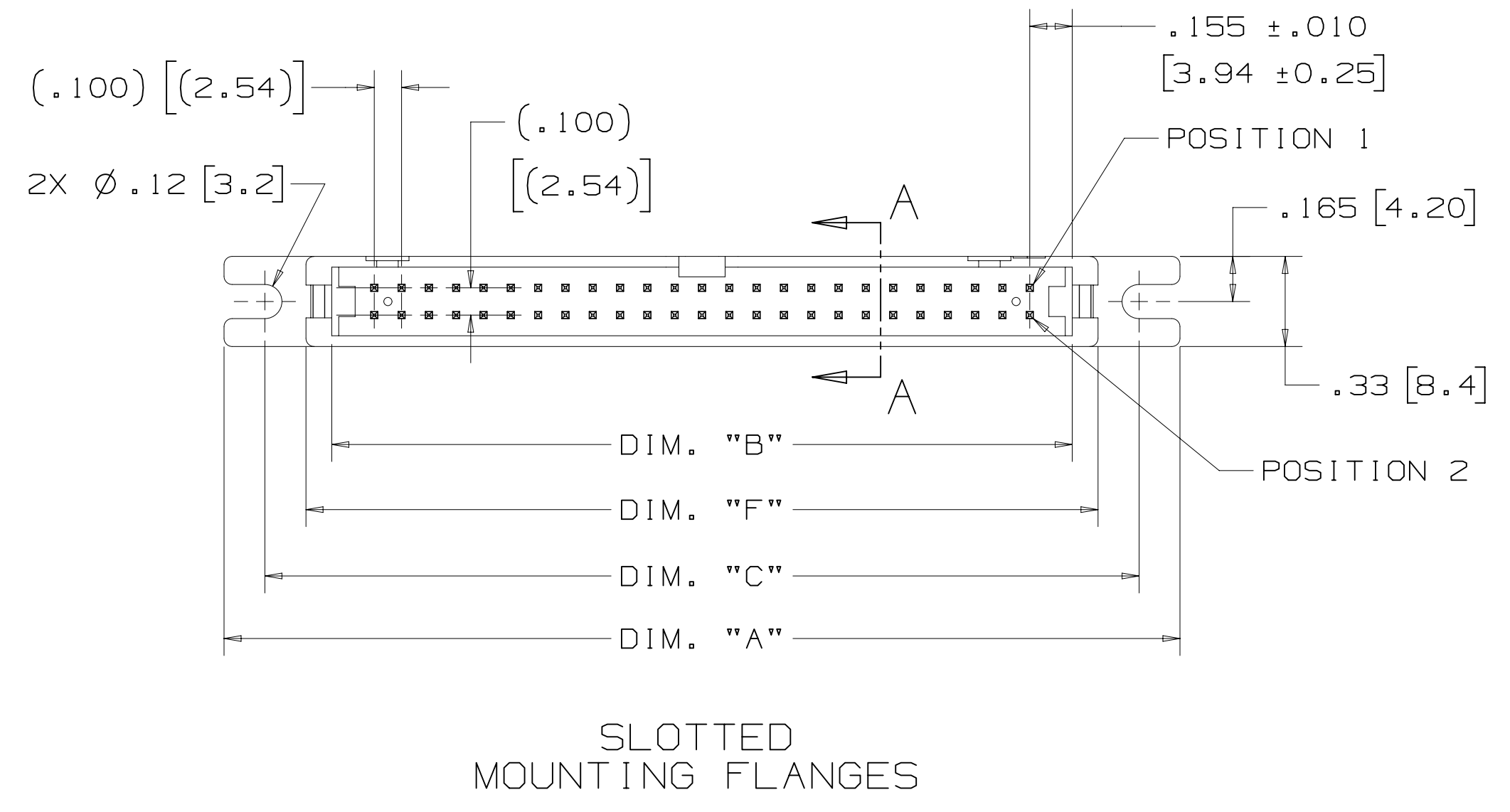
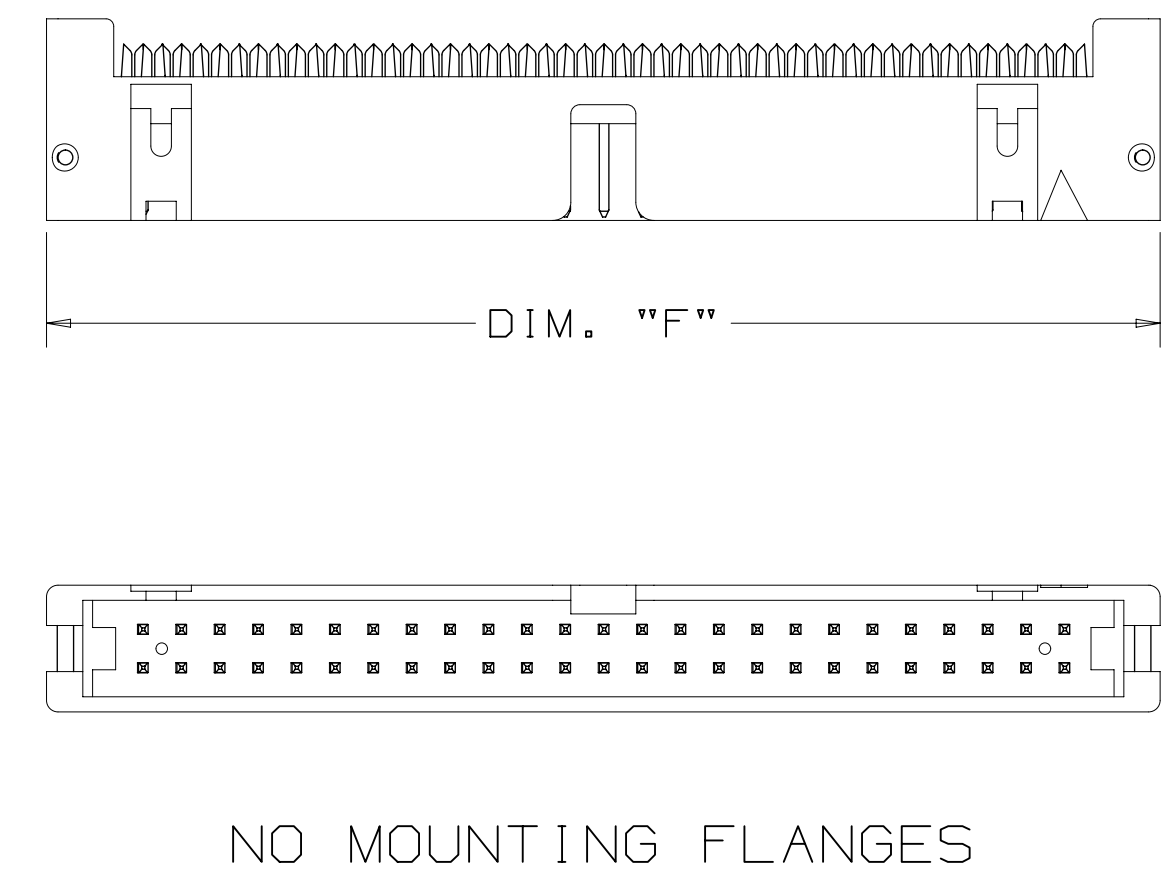
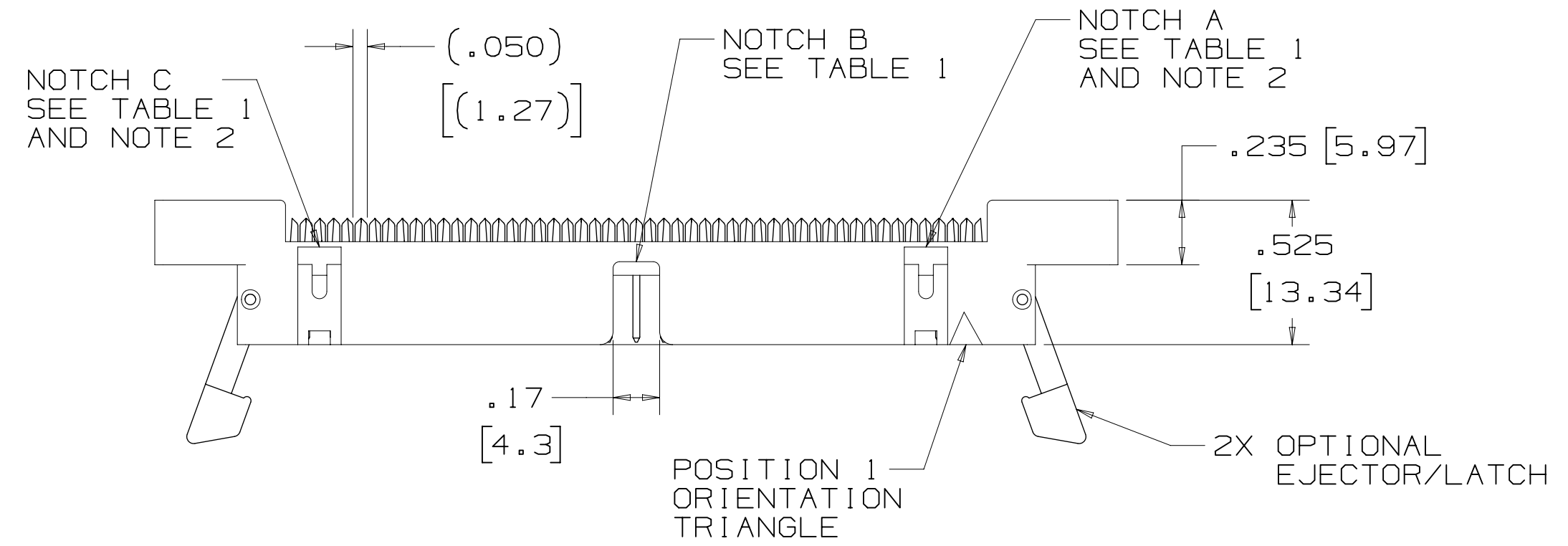
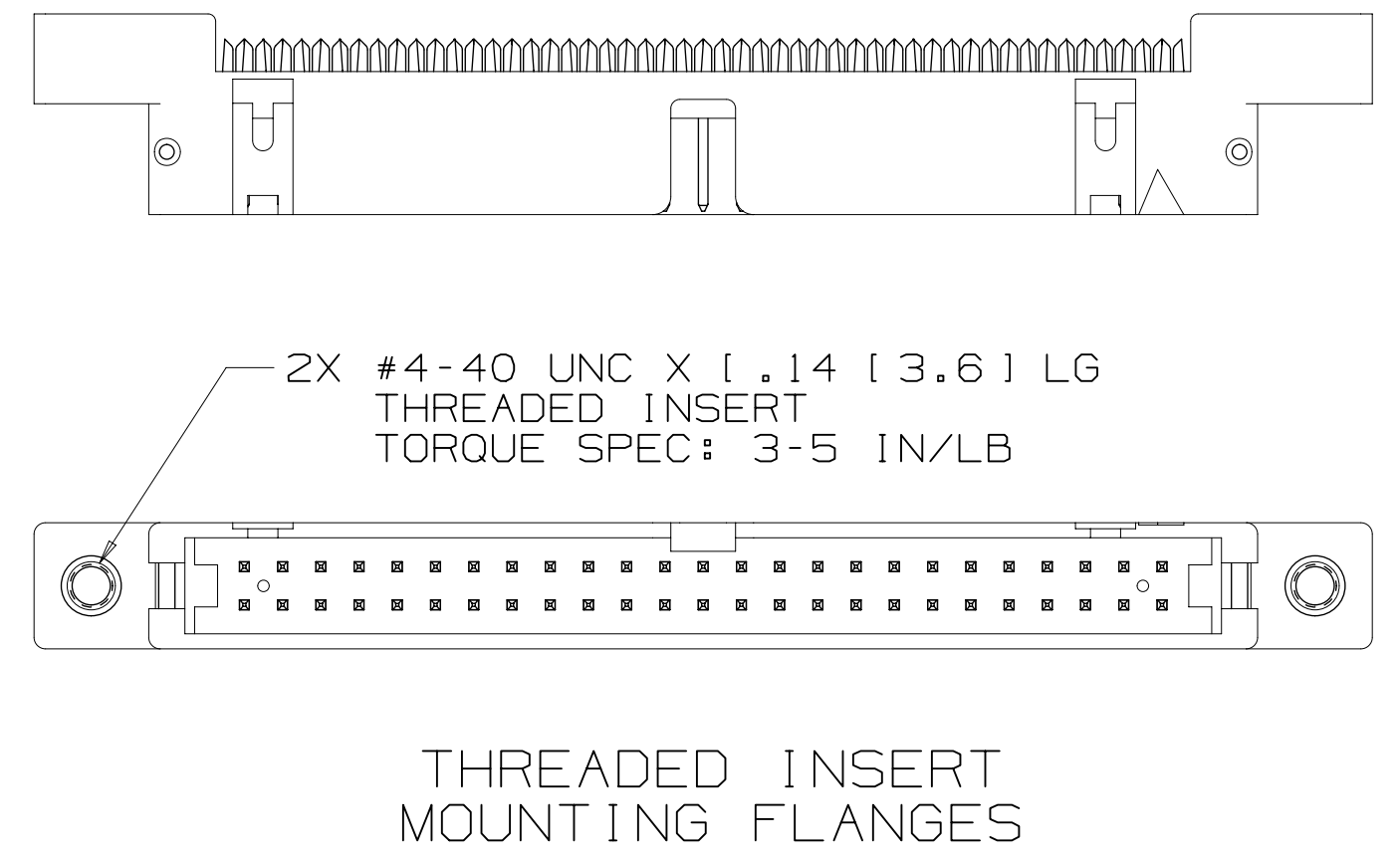
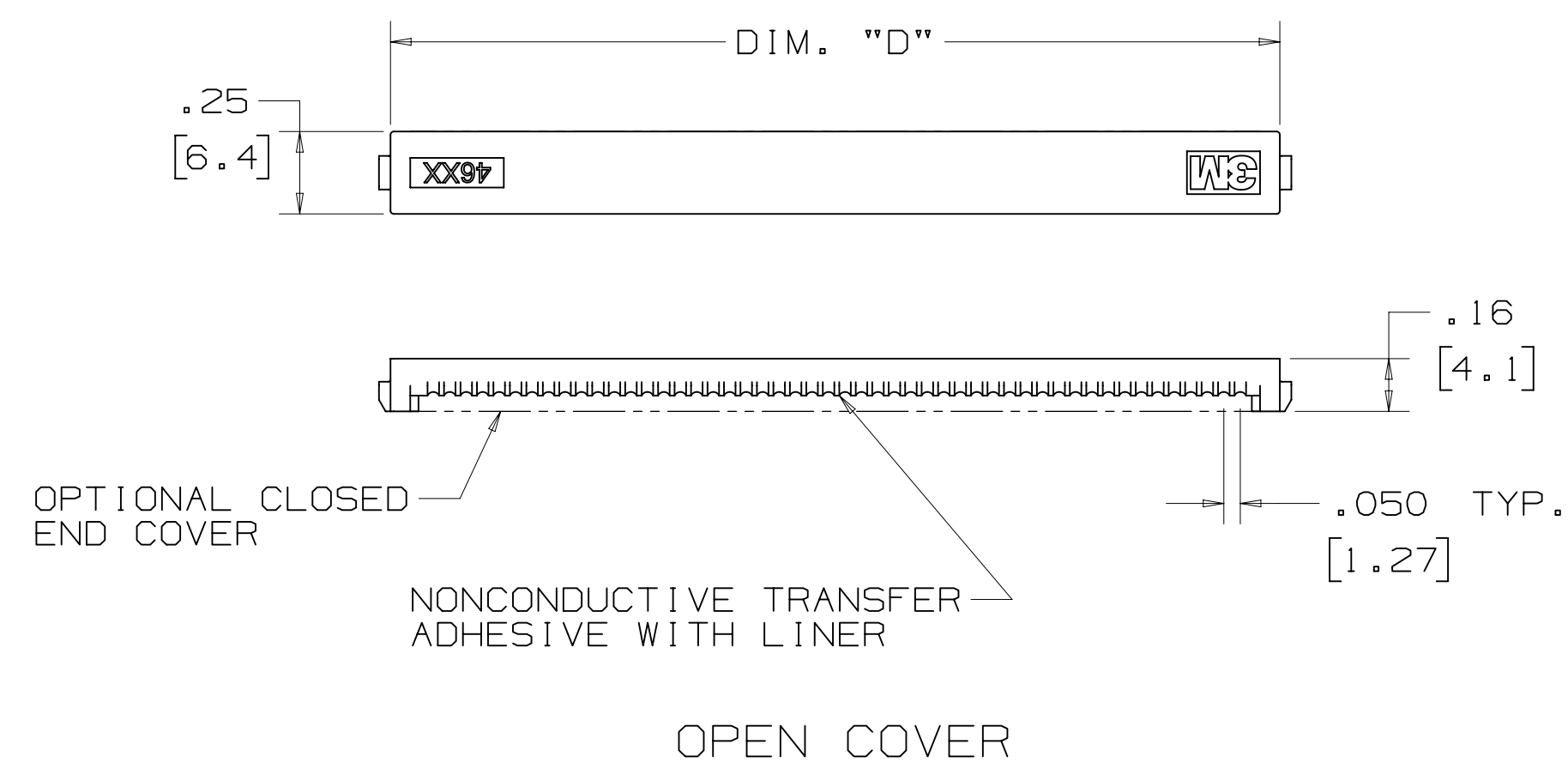
DESIGN REFERENCE	NEXT ASSEMBLY	REV	ECO	ISSUE DATE AND DESCRIPTION	DRFT	CHKD
		E	96508	APR 08, 2021 ADD U-SLOT GOLD FLASH NOTE	JNC	SAN
		D	94220	FEB 11, 2021 REVISED AND REDRAWN	JNC	SAN
DESIGN CODES		CHKD	CASTIGLIONE	DATE FEB 10, 2021	APPRV	DATE FEB 10, 2021
DIVISION	DIVISION CODE	EMSD				
DO NOT SCALE DRAWING	SCALE	2/1	TOLERANCES EXCEPT AS NOTED			
THIRD ANGLE PROJECTION	INCHES	.00 ± .01 .000 ± .005 .0000 ± .0002	MILLIMETERS			
INTERPRET PER ASME Y14.5 - 2018	MAX SURFACE ROUGHNESS	0 ± .00 ± .000 ±	MARKED SURFACES			
	MARKED ONLY					
TITLE		WIREMOUNT PLUG CONN., LATCH/EJECT, .100 X .100				
CAGE NUMBER	SIZE	DRAWING NO.	REV.			
D		78-5100-0086-8	E			
MODEL	4600	DET	ISTS	YES	NO	SHT 1 OF 4

78-5100-0086-8  
 DRAWING NUMBER  
 E  
 REVISION  
 A  
 Time 4/8/2021 1:13:47 PM  
 UTC Offset (hrs) 6  
 Imaged: Central Standard

3M™ WIREMOUNT PLUG, 4600 SERIES  
 .100 X .100, LATCH/EJECT CONNECTOR FOR .050" PITCH CABLE

NOT RELEASED, Imaged: 04/08/2021 01:34:30 PM CDT, Iteration: E.1

- NOTES
- 1 POLARIZATION OF 10 POSITION PRODUCT CAN BE EITHER:  
 - CENTER NOTCH B: 4610-XX5X  
 - NOTCH C: 4610-XX0X.
  - 2 NOTCHES A AND C WILL ACCOMMODATE 3M POLARIZATION KEY PART NO. 3518.



3M ELECTRONICS MATERIALS SOLUTIONS DIVISION  
 INTERCONNECT SOLUTIONS  
<http://www.3m.com/interconnect>  
 3M IS A TRADEMARK OF 3M COMPANY.  
 FOR TECHNICAL, SALES OR ORDERING  
 INFORMATION CALL 800-225-5373

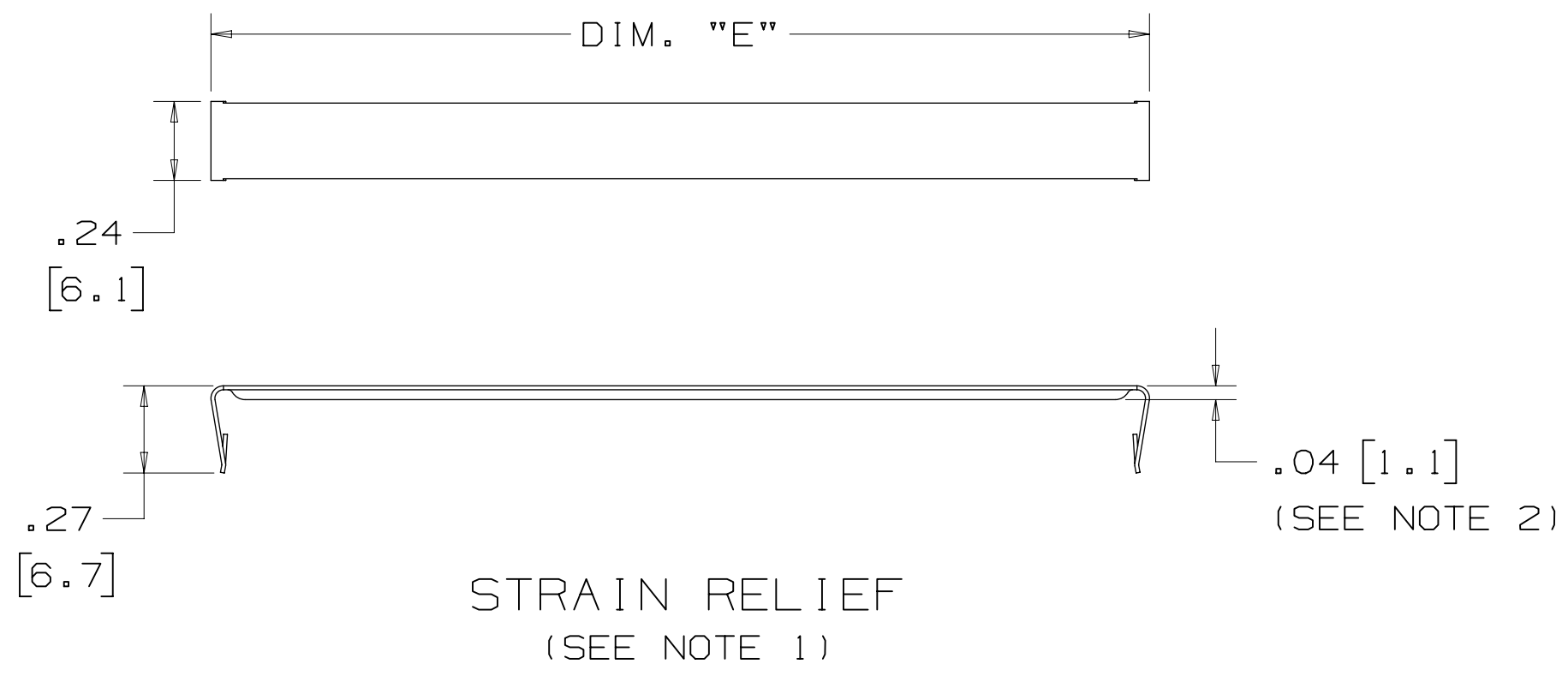
DESIGN REFERENCE	NEXT ASSEMBLY	REV	ECO	ISSUE DATE AND DESCRIPTION	DRFT	CHKD
DIVISION	DIVISION CODE	DATE	DATE	DATE	DATE	DATE
	EMSD	CASTIGLIONE	FEB 10, 2021	MFG		
DO NOT SCALE DRAWING	SCALE 2/1	TOLERANCES EXCEPT AS NOTED	INCHES: .0 ± .1 .00 ± .01 .000 ± .005 .0000 ± .0002 MILLIMETERS: 0 ± .1 .00 ± .01 .00 ± .005 .00 ± .002 ANGLES: 0 ± 15°			
THIRD ANGLE PROJECTION	INTERPRET PER ASME Y14.5 - 2018	MAX SURFACE ROUGHNESS	TITLE WIREMOUNT PLUG CONN., LATCH/EJECT, .100 X .100			
MARKED ONLY			CAGE NUMBER D78-5100-0086-8			
			MODEL 4600			
			REV. E			
			SHT 2 OF 4			

NOT RELEASED, Imaged: 04/08/2021 01:34:37 PM CDT, Iteration: E.1

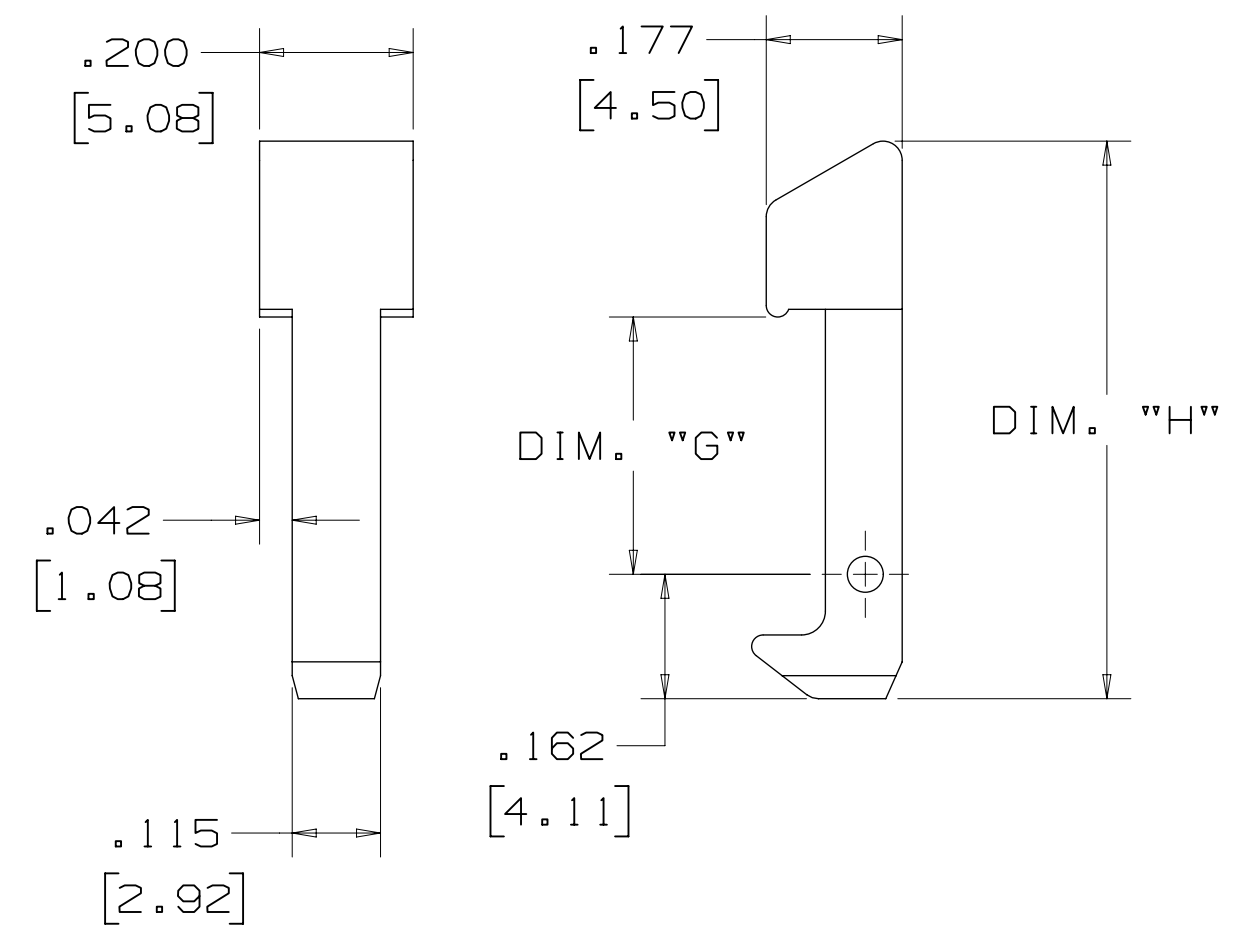
3M™ WIREMOUNT PLUG, 4600 SERIES  
 .100 X .100, LATCH/EJECT CONNECTOR FOR .050" PITCH CABLE

- NOTES
- MATERIAL: .012 (0.30) THK STAINLESS STEEL.
  - THE DISTANCE FROM THE STRAIN RELIEF TO THE CONNECTOR IS EQUAL TO .04 (1.0) PLUS THE CABLE THICKNESS.
  - POLARIZATION OF 10 POSITION PRODUCT CAN BE EITHER:  
 - CENTER NOTCH B: 4610-XX5X  
 - NOTCH C: 4610-XX0X.

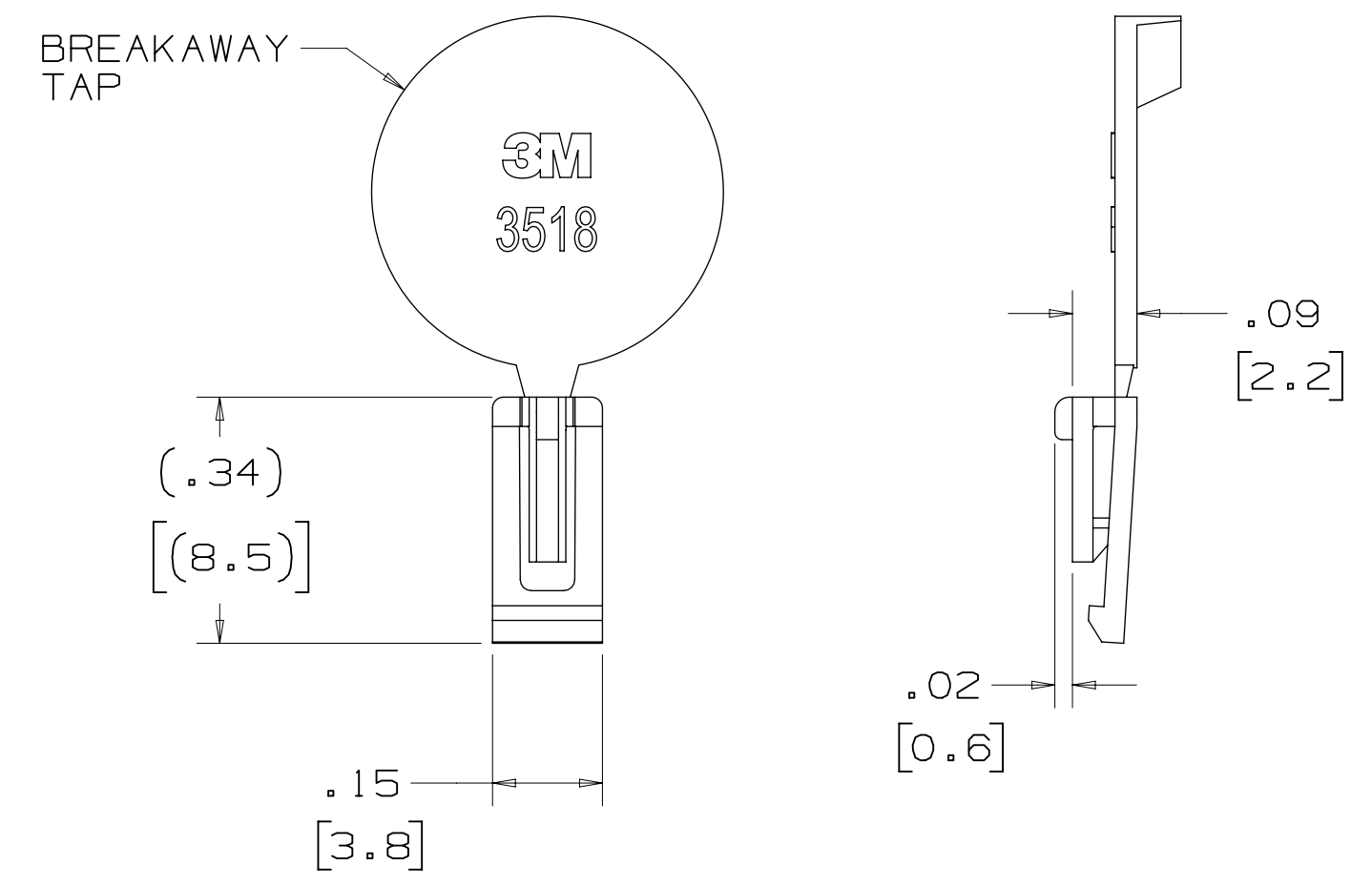
PIN QTY.	DIM. "A"	DIM. "B"	DIM. "C"	DIM. "D"	DIM. "E"	DIM. "F"	POLARIZING NOTCHES PROVIDED
10	1.50 [38.1]	.71 [18.0]	1.20 [30.5]	.77 [19.6]	.85 [21.6]	.90 [22.9]	B OR C (SEE NOTE 3)
14	1.70 [43.2]	.91 [23.1]	1.40 [35.6]	.97 [24.6]	1.05 [26.7]	1.10 [27.9]	B, C
16	1.80 [45.7]	1.01 [25.7]	1.50 [38.1]	1.07 [27.2]	1.15 [29.2]	1.20 [30.5]	A, B, C
20	2.00 [50.8]	1.21 [30.7]	1.70 [43.2]	1.27 [32.3]	1.35 [34.3]	1.40 [35.6]	A, B, C
24	2.20 [55.9]	1.41 [35.8]	1.90 [48.3]	1.47 [37.3]	1.55 [41.9]	1.60 [40.6]	A, B, C
26	2.30 [58.4]	1.51 [38.4]	2.00 [50.8]	1.57 [39.9]	1.65 [46.9]	1.70 [43.2]	A, B, C
30	2.50 [63.5]	1.71 [43.4]	2.20 [55.9]	1.77 [45.0]	1.85 [47.1]	1.90 [48.3]	A, B, C
34	2.70 [68.6]	1.91 [48.5]	2.40 [61.0]	1.97 [50.0]	2.05 [52.1]	2.10 [53.3]	A, B, C
36	2.80 [71.1]	2.01 [51.1]	2.50 [63.5]	2.07 [52.6]	2.15 [54.6]	2.20 [55.9]	A, B, C
40	3.00 [76.2]	2.21 [56.1]	2.70 [68.6]	2.27 [57.7]	2.35 [59.7]	2.40 [61.0]	A, B, C
50	3.50 [88.9]	2.71 [68.8]	3.20 [81.3]	2.77 [70.4]	2.85 [72.4]	2.90 [73.7]	A, B, C
60	4.00 [101.6]	3.21 [81.5]	3.70 [94.0]	3.27 [83.1]	3.35 [85.1]	3.40 [86.4]	A, B, C
64	4.20 [106.7]	3.41 [86.6]	3.90 [99.1]	3.47 [88.1]	3.55 [90.2]	3.60 [91.4]	A, B, C



EJECTOR/LATCH



POLARIZING KEY  
 3M PART NO: 3518  
 (ORDER SEPARATELY)



3M PART NO.	MATERIAL	COLOR
N3518	LCP	BLACK

EJECTOR/LATCH OPTION	PART NUMBER	DIM. "G"	DIM. "H"	DIM. "I"	DIM. "J"	MATERIAL	COLOR
SHORT	3505-16	.335 [8.51]	.726 [18.44]	.92 [23.4]	.41 [10.4]	PBT	GRAY
LONG	3505-17	.484 [12.29]	.875 [22.23]	1.07 [27.2]	.56 [14.2]		

3M ELECTRONICS MATERIALS SOLUTIONS DIVISION  
 INTERCONNECT SOLUTIONS  
<http://www.3m.com/interconnect>  
 3M IS A TRADEMARK OF 3M COMPANY.  
 FOR TECHNICAL, SALES OR ORDERING  
 INFORMATION CALL 800-225-5373

DESIGN REFERENCE	NEXT ASSEMBLY	REV	ECO	ISSUE DATE AND DESCRIPTION	DRFT	CHKD
DIVISION		DIVISION CODE		DATE		
DO NOT SCALE DRAWING		SCALE		TOLERANCES EXCEPT AS NOTED		
THIRD ANGLE PROJECTION		INTERPRET PER ASME Y14.5 - 2018		MILLIMETERS		
MAX SURFACE ROUGHNESS		SURFACES		MARKED ONLY		
3M		3M Center St. Paul, MN 55144		© 3M COPYRIGHT 2021		
TITLE		CAGE NUMBER		DRAWING NO.		
WIREMOUNT PLUG CONN., LATCH/EJECT, .100 X .100		D 78-5100-0086-8		E		
MODEL		4600		SHT 3 OF 4		

3M™ WIREMOUNT PLUG, 4600 SERIES  
 .100 X .100, LATCH/EJECT CONNECTOR FOR .050" PITCH CABLE

Regulatory: For regulatory information about this product, visit 3M.com/regs or contact your 3M representative.

Technical Information: The technical information, recommendations and other statements contained in this document are based upon tests or experience that 3M believes are reliable, but the accuracy or completeness of such information is not guaranteed.

Product Use: Many factors beyond 3M's control and uniquely within user's control can affect the use and performance of a 3M product in a particular application. Given the variety of factors that can affect the use and performance of a 3M product, user is solely responsible for evaluating the 3M product and determining whether it is fit for a particular purpose and suitable for user's method of application.

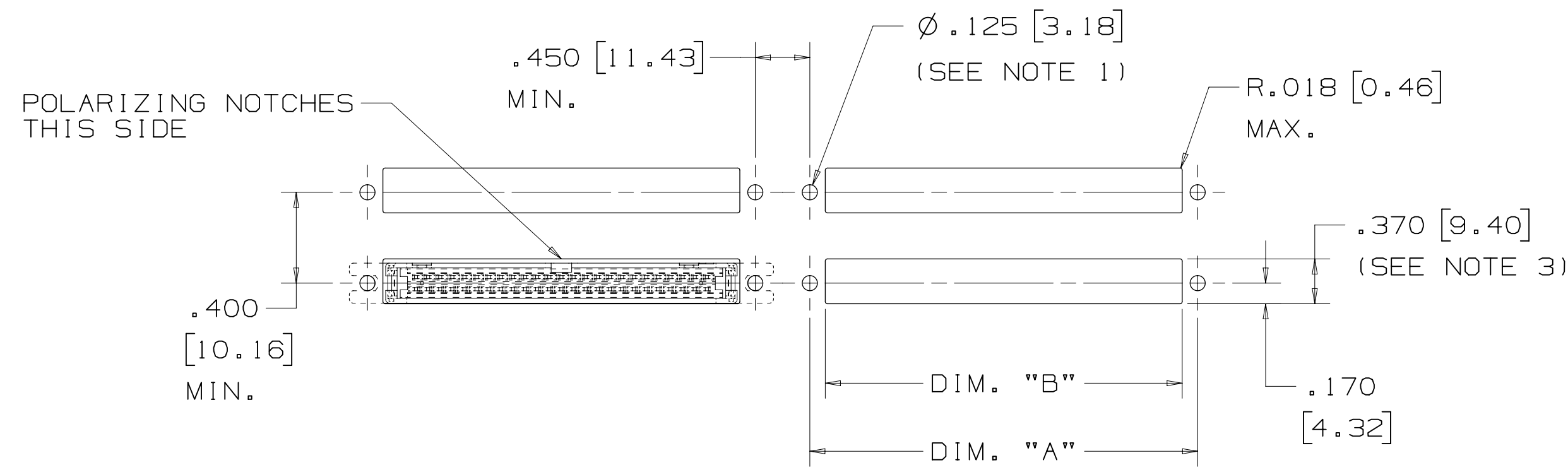
Warranty, Limited Remedy, and Disclaimer: Unless an additional warranty is specifically stated on the applicable 3M product packaging or product literature, 3M warrants that each 3M product meets the applicable 3M product specification at the time 3M ships the product. 3M MAKES NO OTHER WARRANTIES OR CONDITIONS, EXPRESS OR IMPLIED, INCLUDING, BUT NOT LIMITED TO, ANY IMPLIED WARRANTY OR CONDITION OF MERCHANTABILITY OR FITNESS FOR A PARTICULAR PURPOSE OR ANY IMPLIED WARRANTY OR CONDITION ARISING OUT OF A COURSE OF DEALING, CUSTOM OR USAGE OR TRADE. If the 3M product does not conform to this warranty, then the sole and exclusive remedy is, at 3M's option, replacement of the 3M product or refund of the purchase price.

Limitation of Liability: Except where prohibited by law, 3M will not be liable for any loss or damage arising from the 3M product, whether direct, indirect, special, incidental or consequential, regardless of the legal theory asserted, including warranty, contract, negligence or strict liability.

3M Company  
 Electronics Materials Solutions Division  
 13011 McCallen Pass, Bldg. C  
 Austin, TX 78753-5380  
 1-800-225-5373  
 www.3M.com/interconnect

NOTES	
1	ACCEPTS #4 PAN HEAD MACHINE SCREW.
2	FOR A REAR MOUNT PLUG CONNECTOR WITH EJECTOR/LATCHES, THE RECOMMENDED MAXIMUM PANEL THICKNESS IS .125 [3.18].
3	WITHOUT POLARIZING KEYS .340 [8.64].

PIN QTY.	PART NUMBER	DIM. "A"	DIM. "B"
10	4610	1.200 [30.48]	.945 [24.00]
14	4614	1.400 [35.56]	1.145 [29.08]
16	4616	1.500 [38.10]	1.245 [31.62]
20	4620	1.700 [43.18]	1.445 [36.70]
24	4624	1.900 [48.26]	1.645 [41.78]
26	4626	2.00 [50.80]	1.745 [44.32]
30	4630	2.200 [55.88]	1.945 [49.40]
34	4634	2.400 [60.96]	2.145 [54.48]
36	4636	2.500 [63.50]	2.245 [57.02]
40	4640	2.700 [68.58]	2.445 [62.10]
50	4650	3.200 [81.28]	2.945 [74.80]
60	4660	3.700 [93.98]	3.445 [87.50]
64	4664	3.900 [99.06]	3.645 [92.58]



REAR MOUNT PANEL CUT-OUT

3M ELECTRONICS MATERIALS SOLUTIONS DIVISION  
 INTERCONNECT SOLUTIONS  
<http://www.3M.com/interconnect>

3M IS A TRADEMARK OF 3M COMPANY.  
 FOR TECHNICAL, SALES OR ORDERING  
 INFORMATION CALL 800-225-5373

DESIGN REFERENCE	NEXT ASSEMBLY	REV	ECO	ISSUE DATE AND DESCRIPTION	DRFT	CHKD
DO NOT SCALE DRAWING	SCALE 4/1	TOLERANCES EXCEPT AS NOTED		INCHES: .0 ± .1 .00 ± .01 .000 ± .005 .0000 ± .0002		
THIRD ANGLE PROJECTION	INTERPRET PER ASME Y14.5 - 2018	MILLIMETERS: 0 ± .0 ± .00 ± 0.00 ±		TITLE WIREMOUNT PLUG CONN., LATCH/EJECT, .100 X .100		
MAX SURFACE ROUGHNESS	DT SURFACES	CAGE NUMBER	SIZE	DRAWING NO.	REV.	
<input checked="" type="checkbox"/> MARKED ONLY	ANGLES	D	78-5100-0086-8	E		
		MODEL	4600	DET	ISTS	YES X NO SHT 4 OF 4