

# 3M™ High Flow Series Housings

## Housings for High Flow Series Filters

The 3M™ High Flow series housing range is constructed of 316L stainless steel Housing body and 316 stainless steel (flanges, cartridge plug-base) and has a maximum allowable working pressure of 150 psi @ 250°F (10 bar @ 121°C). The outer surface finish is electropolished and the housing's internal finish is bead blasted.

3M High Flow Series filter housings are available in a variety of standard sizes to accommodate from 1 to 7 filter cartridges in 10-inch, 40-inch and 60-inch lengths. The standard housings are also designed to meet global requirements such as:

- European Pressure Equipment Directive 2014/68/EU
- ATEX Directive 2014/34/EU, for use in ATEX condition II 2 GD c IIC/IIIC
- Australian Standard AS 1210 Pressure Vessel
- ASME Section VIII Div2 U-stamp (US versions)
- Housing wetted parts are 316/316L stainless steel (Generally Regarded As Safe) with o-rings that are compliant for food contact.

### Marking and documentation

The housings are clearly marked and delivered with a Certificate of Conformity. The user of these housings must ensure they are used in compliance with the requirements of local regulations, and in accordance with the instruction manual supplied.

## Features & Benefits

### Compact design

- Smaller diameter housing vs. those of conventional filters for a given flow rate

### Robust cartridge center-post design

- Eliminates bulky support plates providing easy access to housing internals.

### Manufactured from 316 and 316L stainless steel

- Excellent corrosion protection
- Generally regarded as safe for food contact

### Upstream and downstream gauge ports and drains

### Hinged cover (single-round housings) and user-friendly cover lifting device (multi-round housings)

- Allows for easy element change-outs



## Applications

### Industrial Water:

- Municipal water
- Pre-RO filtration
- Reclaimed water
- Coolants
- Condensate

### Chemical:

- Quench water
- Final product load-out
- Process cooling water

### Petrochemicals:

- Waterflood
- Produced water
- Enhanced oil recovery
- Completion fluids
- Amine sweetening

### Electronics:

- Pre-RO filtration,
- Process cooling water

### Food and Beverage:

- Process and blending water
- Bottled water
- Beer clarification

## 3M™ High Flow Series Housings

### 3M High Flow Filter Single Cartridge Housings, Model 01HF

Housing Model	Housing OD (in/mm)	Inlet & Outlet Flange Size (in/DN)	Vent & Drain NPT (in/mm)	Maximum Flow (gpm/lpm)	Empty Weight (lbs / kg)	Housing Dimension, approx. <sup>2</sup> length x width x height (in / mm)
01HF10 <sup>1</sup>	8 / 203.2	2 / 50	0.25 / 6.35	85 / 320	39.7 / 18	L – 12 / 304.8 W – 8 / 203.2 H – 24 / 609.6
01HF40	8.5 / 216	4 / 100	0.25 and 0.75 (6.35 & 19.05)	350 / 1325	121.25 / 55	L – 60 / 1500 W – 9.9 / 252 H – 12.8 / 326
01HF60	8.5 / 216	4 / 100	0.25 and 0.75 (6.35 & 19.05)	500 / 1893	143.3 / 65	L – 81 / 2057 W – 9.9 / 252 H – 12.8 / 326

<sup>1</sup> 10 inch High Flow housing is available only in non-ASME code design

<sup>2</sup> Single round 40 inch and 60 inch housing dimension without mounting legs: this allows for mounting the housings on a frame. Standard mounting legs are available as an optional accessory and can be obtained separately. Horizontal design mounting legs fits both 40" and 60" housings. Leg assemblies are also available for the housing for the 40" housing in the vertical orientation.

### 3M High Flow Filter Multi-Around Cartridge Housings, Models 03HF, 05HF, 07HF

Housing Model	Housing OD (in/mm)	Inlet & Outlet Flange Size (in/DN)	Vent & Drain NPT (in/mm)	Maximum Flow (gpm/lpm)	Empty Weight (lbs / kg)	Housing Dimension, approximate length x width x height (in / mm)
03HF40	16 / 406	6 / 150	0.5 / 12.7	875 / 3300	489.5 / 222	L – 71.2 / 1808.5 W – 15.98 / 406 H – 39.4 / 1000
03HF60	16 / 406	8 / 200	0.5 / 12.7	1500 / 5700	586.5 / 266	L – 94.25 / 2394 W – 15.98 / 406 H – 39.4 / 1000
05HF40	20 / 508	8 / 200	0.5 / 12.7	1550/5867	751.8 / 341	L – 75.1 / 1908 W – 20 / 508 H – 39.4 / 1000
05HF60	20 / 508	10 / 250	0.5 / 12.7	2450/9274	888.5 / 403	L – 98.2 / 2494 W – 20 / 508 H – 39.4 / 1000
07HF40	22 / 560	10 / 200	1 / 25.4	2450/9274	945.8 / 429	L – 81.6 / 2073 W – 22.1 / 560 H – 39.4 / 1000
07HF60	22 / 560	12 / 300	1 / 25.4	3500/13249	1084.7 / 492	L – 100.2 / 2545 W – 22.1 / 560 H – 39.4 / 1000

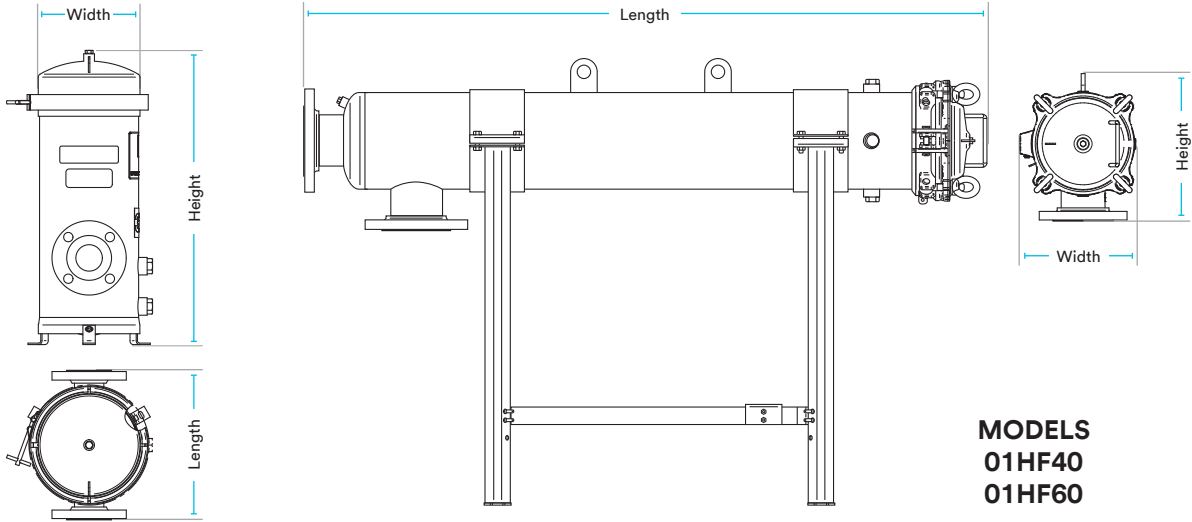
### 3M™ High Flow Series Sanitary Design Filter Housing specifications

Housing Part Number	Housing OD	Material of Construction	Inlet / Outlet	Maximum Flow	Height	Footprint	Drain	Vent	Gauge
1HF10VCS <sup>1</sup>	8"	316L SS	2" Sanitary	85 GPM	35"	8" Diameter	½" Sanitary	½" Sanitary	1½" Sanitary
1HF60HCS <sup>1</sup>	10¾"	316L SS	3" Sanitary	250 GPM	50"	75" LX 18" W	1" Sanitary	½" Sanitary	1½" Sanitary

<sup>1</sup> Non-code sanitary designs, mounting legs included

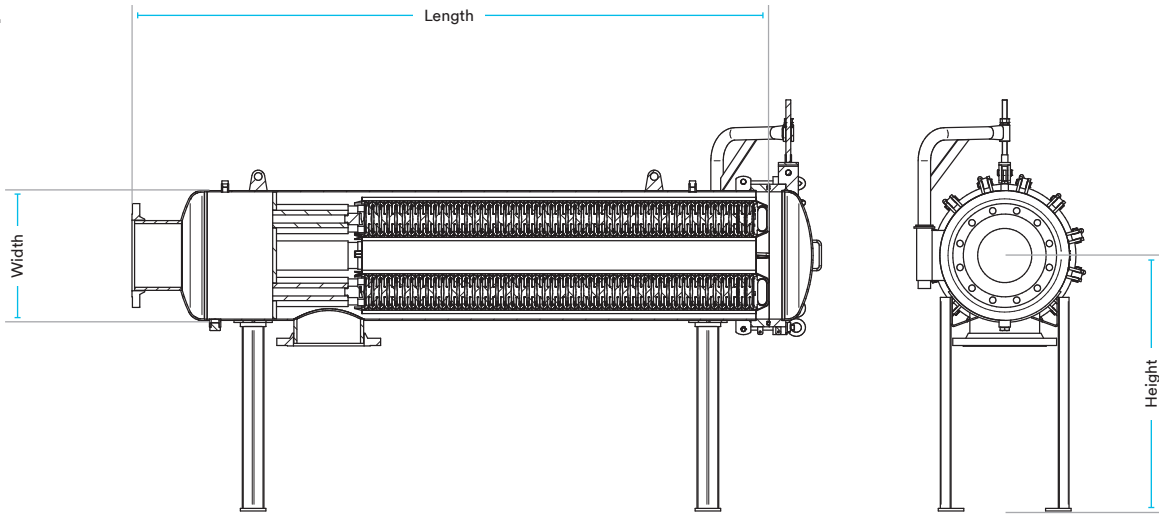
# 3M™ High Flow Series Housings

**MODEL  
01HF10**



**MODELS  
01HF40  
01HF60**

**MODELS  
03HF  
05HF  
07HF**



**MOD  
1HF10**



**MODEL  
1HFX60HCS**



In addition to the standard housing designs, the 3M™ High Flow can be built upon request to a wide range of specifications, design and construction standards. Please consult your local 3M SPSD representative for further information.

### Oil & gas service:

Specially designed 3M High Flow Series housings are available upon request to accommodate requirements typically found in oil & gas applications:

- Corrosion allowances
- Higher pressure ratings
- Swing bolt closure design
- Non-destructive examination
- NACE (National Association of Corrosion Engineers) Compliance
- Post weld heat treatment

### Food & beverage service:

Specially designed 3M High Flow Sanitary Design Housings are designed to deliver all of the system's benefits in a compact footprint:

- 316L Stainless steel construction generally regarded as safe
- Internal/external polished surfaces
- Sanitary flange connections (for inlet, outlet, bleed & drain ports)

**Intended Uses:** The 3M High Flow Series Filter Housings Series Filters are intended for use in standard industrial filtration applications of aqueous fluids in accordance with the applicable product instructions and specifications.

3M High Flow Series Filter Housings Series Filter products are also intended for use with non-aqueous fluids where materials of construction are compatible.

Certain limited 3M High Flow Series Filter Housings Series Filter products are also intended for use in Food and Beverage (F&B) applications. Refer to the specific 3M High Flow Series Filter Housings Series Filter product's data sheet to determine whether it includes a F&B designation and can be used for such applications.

Since there are many factors that can affect a product's use, the customer and user remains responsible for determining whether the 3M product is suitable and appropriate for the user's specific application, including user conducting an appropriate risk assessment and evaluating the 3M product in user's application.

**Restrictions on Use:** 3M advises against the use of these 3M products in any application other than the stated intended use(s), since other applications have not been evaluated by 3M and may result in an unsafe or unintended condition. Do not use in a medical device, drug, or cosmetic application or in applications involving life-sustaining medical applications or prolonged contact with internal bodily fluids or tissues. If you are considering using this 3M product for a restricted use, you must first contact 3M with information about your proposed application to request prior written authorization for supply for such use.

**Technical Information:** The technical information, guidance, and other statements contained in this document or otherwise provided by 3M are based upon records, tests, or experience that 3M believes to be reliable, but the accuracy, completeness, and representative nature of such information is not guaranteed. Such information is intended for people with knowledge and technical skills sufficient to assess and apply their own informed judgment to the information. No license under any 3M or third party intellectual property rights is granted or implied with this information.

**Product Selection and Use:** Many factors beyond 3M's control and uniquely within user's knowledge and control can affect the use and performance of a 3M product in a particular application. As a result, customer is solely responsible for evaluating the product and determining whether it is appropriate and suitable for customer's application, including conducting a workplace hazard assessment and reviewing all applicable regulations and standards (e.g., OSHA, ANSI, etc.). Failure to properly evaluate, select, and use a 3M product and appropriate safety products, or to meet all applicable safety regulations, may result in injury, sickness, death, and/or harm to property.

**Warranty, Limited Remedy, and Disclaimer:** Unless a different warranty is specifically stated on the applicable 3M product packaging or product literature (in which case such warranty governs), 3M warrants that each 3M product meets the applicable 3M product specification at the time 3M ships the product. 3M MAKES NO OTHER WARRANTIES OR CONDITIONS, EXPRESS OR IMPLIED, INCLUDING, BUT NOT LIMITED TO, ANY IMPLIED WARRANTY OR CONDITION OF MERCHANTABILITY, FITNESS FOR A PARTICULAR PURPOSE, OR ARISING OUT OF A COURSE OF DEALING, CUSTOM, OR USAGE OF TRADE. If a 3M product does not conform to this warranty, then the sole and exclusive remedy is, at 3M's option, replacement of the 3M product or refund of the purchase price.

**Limitation of Liability:** Except for the limited remedy stated above, and except to the extent prohibited by law, 3M will not be liable for any loss or damage arising from or related to the 3M product, whether direct, indirect, special, incidental, or consequential (including, but not limited to, lost profits or business opportunity), regardless of the legal or equitable theory asserted, including, but not limited to, warranty, contract, negligence, or strict liability.

Your local distributor:



**3M Purification, Inc.**  
**3M Separation and Purification Sciences Division**  
400 Research Parkway  
Meriden, CT 06450 USA  
Phone 1-800-243-6894  
1-203-237-5541  
Web [www.3M.com/purification](http://www.3M.com/purification)

3M is a trademark of 3M Company. All other trademarks are the property of their respective owners.  
© 2022 3M Company. All rights reserved.  
70-2016-0325-8