

3M™ Versaflo™ S-655 Hood

To maintain protection levels, optimise the effective lifetime of the system and avoid the additional cost of replacement, it is extremely important to carry out regular checks and maintenance.

► Before Use

- Inspect Comfort Band.
Remove and replace if necessary.
- Inspect hood.
Ensure hood fabric and neck seal are free from splits or tears and visor is undamaged
If required remove head harness and connector - Discard and replace hood
(Ensure head harness and connector are correctly installed into new hood)
- Replace Visor Peel-Off (if used).

► Monthly

- Carry out all the 'Before Use' inspections and create record of this monthly check for the hood.

► After Use

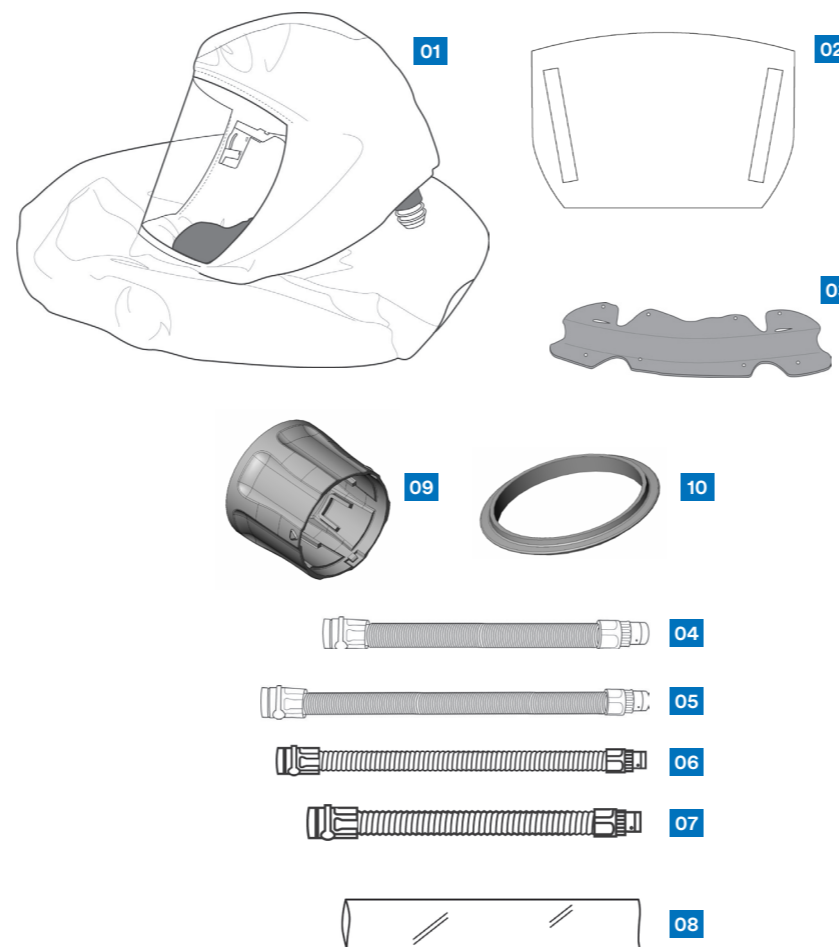
- Clean with cloth dampened with a mild solution of water and liquid household soap.
- Disinfect with 3M 105 Wipes.
- Store in a dry, clean area / locker away from direct sunlight, high temperatures and solvents.

► Ordering Consumables, Repair Parts and Accessories

To request a quote or place an order for these items, please contact your 3M Approved Distributor.

► Further Information and Advice

If you require additional guidance on the Care and Maintenance of your 3M Powered and Supplied Air Equipment, please contact the Helpline or your local 3M representative.



Description		Part N°
01	S-655 Hood	S-655
02	Visor Cover for S-600 and S-700 Hood Assemblies	S-922
03	Comfort Pad for Premium Head Suspension	S-953
04	Breathing Tube, small/medium	BT-20S
05	Breathing Tube, medium/large	BT-20L
06	Length Adjusting Breathing Tube	BT-30
07	Heavy Duty Rubber Breathing Tube	BT-40
08	Disposable Breathing Tube Cover	BT-922
09	Airflow Adjustment Cover	S-955
10	Air Duct Sealing Ring	S-956
	Replacement fabric for S-655 Hood (x10)	S-605-10

Hoods with removable head harness and connector allowing these low wear parts to be transferred into a replacement hood. Combines face (low energy impact and liquid splash), neck, shoulder and respiratory protection.

Replace all damaged parts immediately to ensure correct levels of protection.

