



## 3M™ Versaflo™ TR-800 Powered Air-Respirator

To maintain protection levels, optimise the effective lifetime of the system and avoid the additional cost of replacement, it is extremely important to carry out regular checks and maintenance on Powered and Supplied Air Respirators.

### ▶ Battery

- Should be immediately charged after receipt of product

### ▶ Before use

- Ensure Battery is fully charged
- Ensure Turbo is undamaged
- Ensure Turbo is correctly secured to its belt
- Ensure Filter is correctly fitted
- Perform airflow check -insert Airflow Indicator Tube. Refer to Turbo user instructions for information
- Perform alarm check. Refer to Turbo user instructions for information

### ▶ Monthly

- Carry out all the 'Before Use' inspections and create a record of this monthly check for the turbo

### ▶ After use

- Clean with cloth dampened with a mild solution of water and liquid household soap
- Turbo may also be worn through a shower to remove further contaminant
- Turbo can also be immersed for cleaning or put in respirator washer for cleaning (using TR-653 Cleaning & Storage Kit)
- Battery can be immersed for cleaning
- Refer to user instructions for cleaning information
- Charge Battery (if required)
- Change Pre-Filter and/or Filter (if required)
- Store in a dry, clean area/locker away from direct sunlight, high temperature and solvents

### ▶ Every filter change

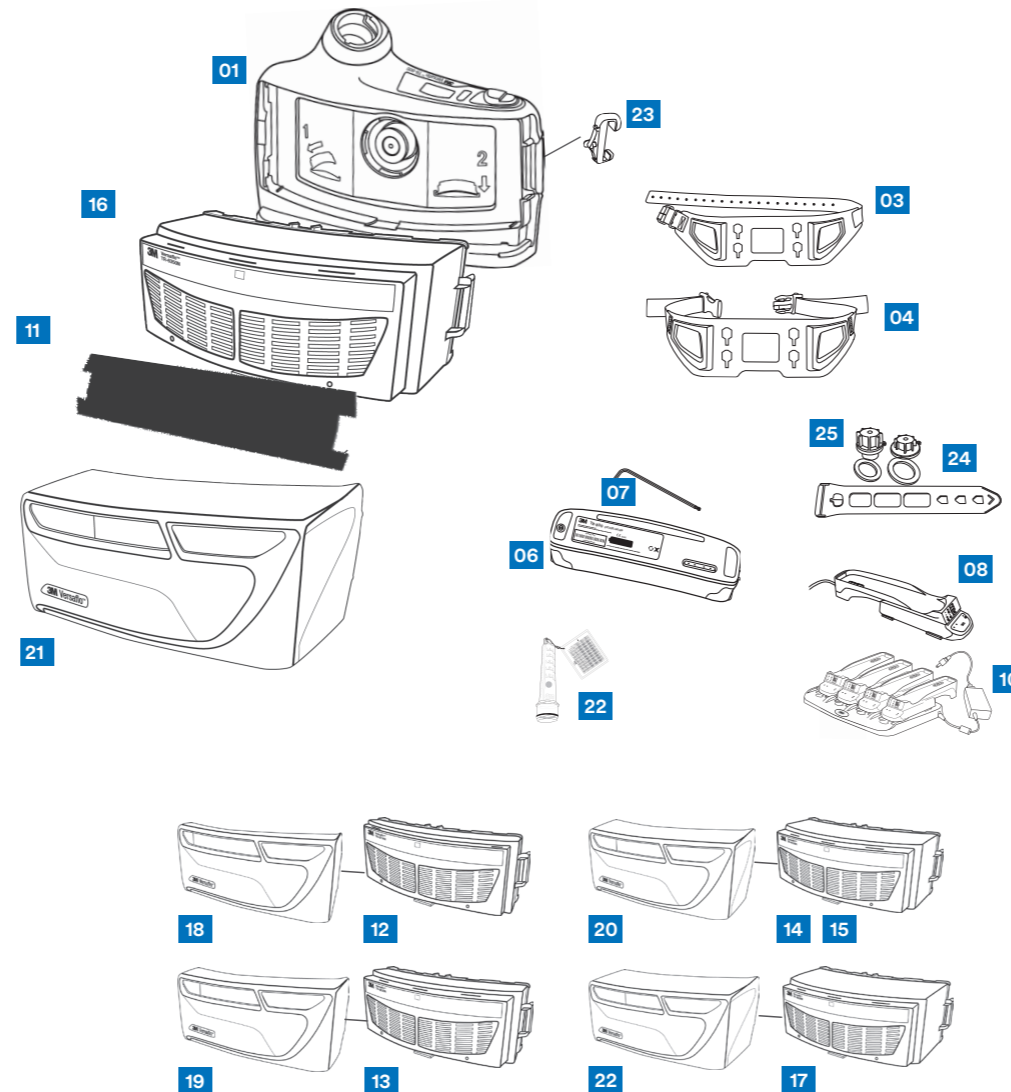
- Inspect Filter and inner seal and replace if damaged
- Always properly install the Filter into the Turbo

### ▶ Ordering consumables, repair parts and accessories

To request a quote or place an order for these items, please contact your 3M Approved Distributor.

### ▶ Further information and advice

If you require additional guidance on the Care and Maintenance of your 3M Powered and Supplied Air Equipment, please contact the Helpline or your local 3M representative.



**Replace all damaged parts immediately to ensure correct levels of protection.**

Description	Part no.
01 3M™ Versaflo™ TR-802E Intrinsically Safe Powered Air Turbo	TR-802E
02 3M™ Versaflo™ TR-819E IS Starter Kit This Versaflo Starter Kit includes the Intrinsically Safe TR-802E Powered Air Turbo, TR-830 Intrinsically Safe Battery, TR-838 Battery Attachment Tool, BT-30 Length Adjusting Breathing Tube, TR-627 Easy Clean Belt, TR-6310E A2P Filter, TR-6300 Filter Cover, TR-641UK Single Station Battery Charger Kit, TR-971 Airflow Indicator and TR-6600 Prefilter (x10)	TR-819UK
03 Versaflo High Durability Belt TR-626	TR-626
04 Versaflo Easy Clean Belt TR-627	TR-627
06 Versaflo Battery TR-830	TR-830
07 Versaflo Battery Attachment Tool TR-838	TR-838
08 Versaflo Battery Charger Cradle TR-640	TR-640
09 Versaflo Single Station Battery Charger Kit TR-641E	TR-641UK
10 Versaflo 4-Station Battery Charger Kit TR-644E	TR-644UK
11 Versaflo Pre-filter TR-6600	TR-6600
12 Versaflo Particulate Filter TR-6710E	TR-6710E
13 Versaflo Particulate/Nuisance Odour Filter TR-6820E	TR-6820E
14 Versaflo A1P Filter TR-6110E	TR-6110E
15 Versaflo ABE1P Filter TR-6130E	TR-6130E
16 Versaflo A2P Filter TR-6310E	TR-6130E
17 Versaflo ABE2K1HgP Filter TR-6580E	TR-6580E
18 Versaflo Filter Cover TR-6700FC	TR-6700FC
19 Versaflo Filter Cover TR-6800FC	TR-6800FC
20 Versaflo Filter Cover TR-6100FC	TR-6100FC
21 Versaflo Filter Cover TR-6300FC	TR-6300FC
22 Versaflo Filter Cover TR-6500FC	TR-6500FC
23 Versaflo Airflow Indicator TR-971	TR-971
24 Versaflo Filter Latch Assembly TR-851	TR-851
25 Versaflo Cleaning & Storage Kit TR-653	TR-653
26 Versaflo Cleaning & Storage Replacement Seals TR-654	TR-654
27 Versaflo Backpack BPK-01	BPK-01
28 Versaflo Backpack Adapter TR-655	TR-655
29 Versaflo Braces TR-329	TR-329

#### Note

3M does not accept responsibility or liability, direct or consequential, arising from reliance upon any information provided and the user should determine the suitability of the products for their intended use. Nothing in this statement will be deemed to exclude or restrict 3M's liability for death or personal injury arising from its negligence or fraudulent misrepresentation.

