

UL System No. HW-D-0023

January 17, 2017

ANSI/UL2079

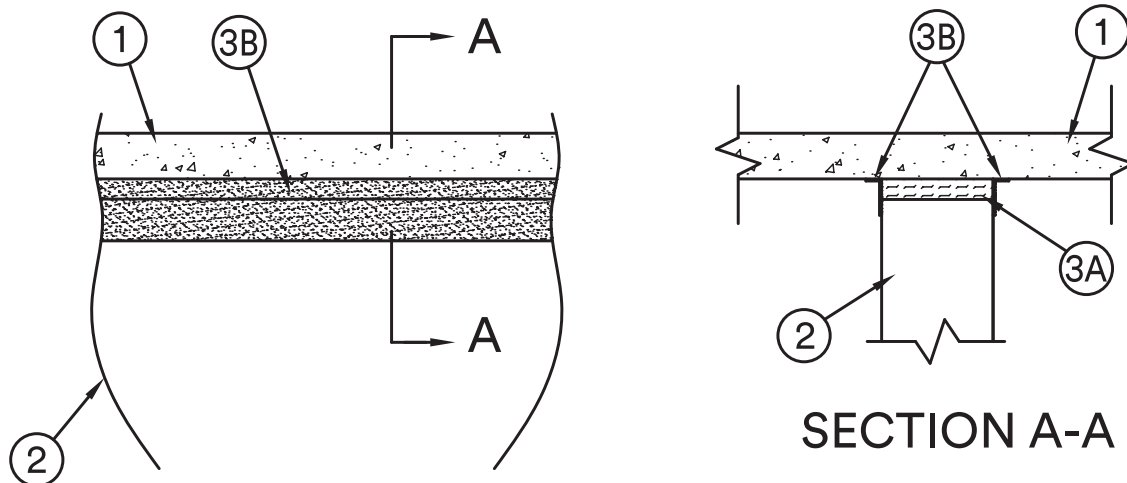
Assembly Ratings – 2 Hr
Nominal Joint Width – 1 in.

Class II Movement Capabilities – 19% Compression or Extension
L Rating At Ambient – Less Than 1 CFM/Lin Ft
L Rating At 400°F – Less Than 1 CFM/Lin Ft


CAN/ULC S115

F Rating – 2 Hr
FT Ratings – 2 Hr
FH Ratings – 2 Hr
FTH Ratings – 2 Hr

Nominal Joint Width – 25 mm
Class II Movement Capabilities – 19% Compression or Extension
L Rating At Ambient – Less Than 1.55 L/s/lin m
L Rating At 204°C – Less Than 1.55 L/s/lin m



1. **Floor Assembly** – Min 4-1/2 in. (114 mm) thick steel-reinforced lightweight or normal weight (100-150 pcf or 1600-2400 kg/m³) structural concrete.
2. **Wall Assembly** – Min 6-1/8 in. (156 mm) thick steel-reinforced lightweight or normal weight (100-150 pcf or 1600-2400 kg/m³) concrete. Wall may also be constructed of any UL Classified **Concrete Blocks***.
See **Concrete Blocks (CAZT)** category in Fire Resistance Directory for names of manufacturers.
3. **Joint System** – Max separation between bottom of floor and top of wall is 1 in. (25 mm). The joint system is designed to accommodate a max 19 percent compression or extension from its installed width. The joint system consists of a forming material and a fill material, as follows:
 - A. **Forming Material*** – Min 6-1/8 in. (156 mm) thickness of min 4 pcf (64 kg/m³) density mineral wool batt insulation, cut to a min 1-3/8 in. (35 mm) height, compressed and firmly packed into the gap between the top of wall and bottom of the floor as a permanent form.
INDUSTRIAL INSULATION GROUP LLC – MinWool-1200 Safing
ROCK WOOL MANUFACTURING CO – Delta Board or Delta-8
ROCKWOOL MALAYSIA SDN BHD – Type Safe
ROXUL INC – Type Safe
THERMAFIBER INC – Type SAF
 - B. **Fill, Void or Cavity Material* – Tape** – As an alternate to Item B, Tape cut to size and press applied along length of joint to completely cover mineral wool and lapping min 1 in. (25 mm) onto the concrete floor and wall. Tape shall be applied in minimum 1 ft (305 mm) lengths along joint and adjoining lengths of Tape shall overlap min 1/2 in. (13 mm). Tape shall be applied at both sides of wall.
3M COMPANY – FireDam™ Spray 200
 - B1. **Fill, Void or Cavity Material* – Tape** – As an alternate to Item B, Tape cut to size and press applied along length of joint to completely cover mineral wool and lapping min 1 in. (25 mm) onto the concrete floor and wall. Tape shall be applied in minimum 1 ft (305 mm) lengths along joint and adjoining lengths of Tape shall overlap min 1/2 in. (13 mm). Tape shall be applied at both sides of wall.
3M COMPANY – 3M Fire and Water Barrier Tape

*Indicates such products shall bear the UL or cUL Certification Mark for jurisdictions employing the UL or cUL Certification (such as Canada), respectively. 

Reprinted from the Online Certifications Directory with permission from UL©

Construction Joints

Head of Wall

HWD