

**3M™ Water Filtration Products**

# 3M™ Aqua-Pure™ AP800 Series Whole House Filter Housings

**Applications:**

- Sand, Sediment, Rust and Soil
- Chlorine Taste and Odor

**At a Glance:**

- Unrestricted flow designed with 1" NPT connections
- Ideal for larger homes and commercial applications

**Product Benefits:**

- 1 inch inlet and outlet connections for easy installation and high flow rates
- Designed with built-in pressure relief for convenient cartridge change-out
- Accepts long-life AP810 and AP811 Series replacement cartridges for high filtration efficiency and sediment capacity
- Accepts long-life granular activated carbon AP817 Series replacement cartridges for efficient reduction of chlorine taste and odor
- Mounting bracket, screws, housing wrench and o-ring kit with lubricant included
- Housing is certified by IAPMO R&T for material safety and structural integrity to NSF/ANSI standard 42 and CSA B483.1
- 2 Year Limited Warranty to help provide long-term operation, superior factory support and service



**3M™ Aqua-Pure™  
AP801B/AP801T Series  
Whole House Filter Housing**

**3M™ Aqua-Pure™  
AP802B/AP802T Series  
Whole House Filter Housing**

**Product Specifications**

Model No.	Part No.	3M ID	SAP ID	Inlet/ Outlet Size	Dimensions		Approx. Weight	Maximum Flow Rate	Temp. Range	Pressure Range
					Height	Diameter				
AP801B	5639201	70-0203-5187-3	71-0021-7755	1" NPT	14-3/16" (36.0 cm)	7-3/16" (18.2 cm)	5.5 lbs. (2.5 kg)	20 gpm (76 lpm)	40 - 100°F (4.4 - 37.8°C)	30 - 100 psi (207 - 690 kPa)
AP801T	5639203	70-0203-5191-5	71-0021-7753	1" NPT						
AP802B	5639202	70-0203-5190-7	71-0021-7754	1" NPT	24-1/2" (62.2 cm)			45 gpm (170 lpm)		
AP802T	5639204	70-0203-5192-3	71-0021-6992	1" NPT						

# 3M™ Water Filtration Products

Spec # \_\_\_\_\_

Quantity \_\_\_\_\_

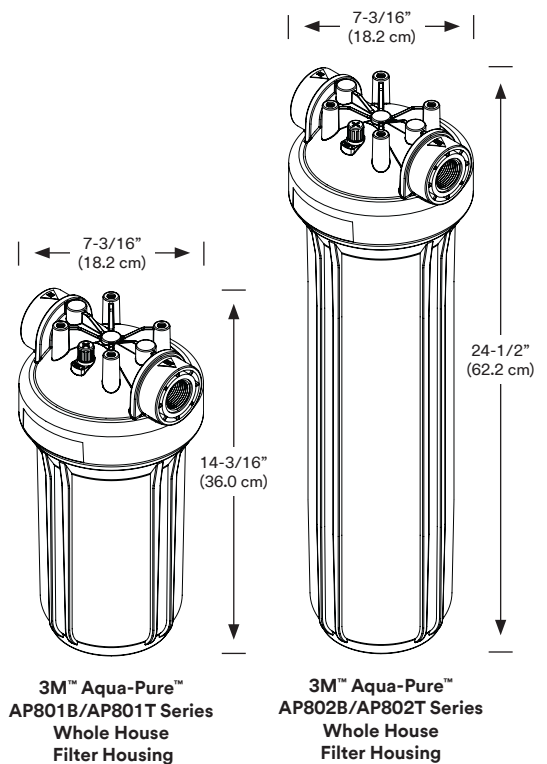
Model # \_\_\_\_\_

Part # \_\_\_\_\_

AP800 Series Replacement Cartridge Options						
Particulate Model	Part Number	Sediment Retention Capacity	Micron Rating (µm)	Application		Max. Flow Rate
				Particulate/Rust	Chlorine Taste & Odor	
AP810	5618902	Normal	5	•		20 gpm (75.7 lpm)
AP811	5618904	Medium	25	•		20 gpm (75.7 lpm)
AP817	5602719	Normal	25	•	•	10 gpm (37.9 lpm)
AP810-2	5618903	Normal	5	•		45 gpm (170.3 lpm)
AP811-2	5618905	Medium	25	•		45 gpm (170.3 lpm)
AP817-2	5602721	Normal	25	•	•	20 gpm (75.7 lpm)

**WARNING:** Do not use with water that is microbiologically unsafe or of unknown quality without adequate disinfection before or after the system.

**NOTICE:** Change the disposable filter cartridge at the recommended interval; the disposable filter cartridge MUST be replaced every 6 months or sooner. Failure to replace the disposable filter cartridge at the recommended intervals may lead to reduced filter performance and failure of the filter, causing property damage from water leakage or flooding.



## Warranty, Limited Remedy, and Disclaimer:

**Warranty and Limited Remedy:** 3M warrants that each 3M product meets the applicable 3M product specification at the time 3M ships the product. 3M MAKES NO OTHER EXPRESS OR IMPLIED WARRANTIES OR CONDITIONS, INCLUDING ANY IMPLIED WARRANTY OR CONDITION OF MERCHANTABILITY OR FITNESS FOR A PARTICULAR PURPOSE. If a 3M product does not conform to this warranty, the sole and exclusive remedy is, at 3M's option, replacement of the 3M product or refund of the purchase price.

**Limitation of Liability:** Except for the limited remedy above, and except to the extent prohibited by law, 3M will not be liable for any loss or damage arising from or related to the 3M product, whether direct, indirect, special, incidental, or consequential, regardless of the legal or equitable theory asserted.



**3M Purification, Inc.**  
400 Research Parkway  
Meriden, CT 06450 U.S.A.

Toll Free 1-866-990-9785  
Worldwide 1-203-237-5541  
Fax: 1-303-238-8701  
Web 3Mfoodservice.com

3M is a trademark of 3M Company. © 2020 3M Company. All rights reserved.  
70-2016-0171-6 REV 1020 Please recycle. Printed in U.S.A.