

## 3M™ Versaflo™ M-407SG & M-409SG

To optimize the effective lifespan of your welding equipment and avoid the additional cost of replacement, regular maintenance is important. Replace all damaged parts immediately to help ensure intended degree of protection.

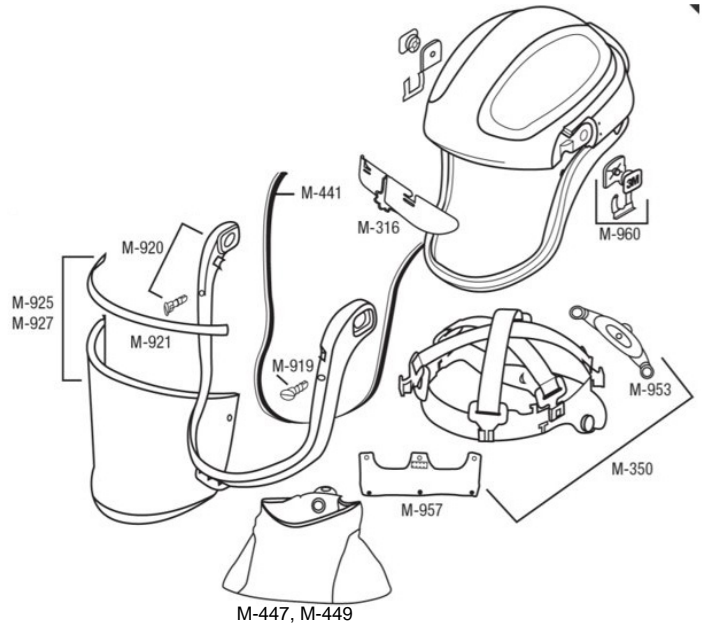
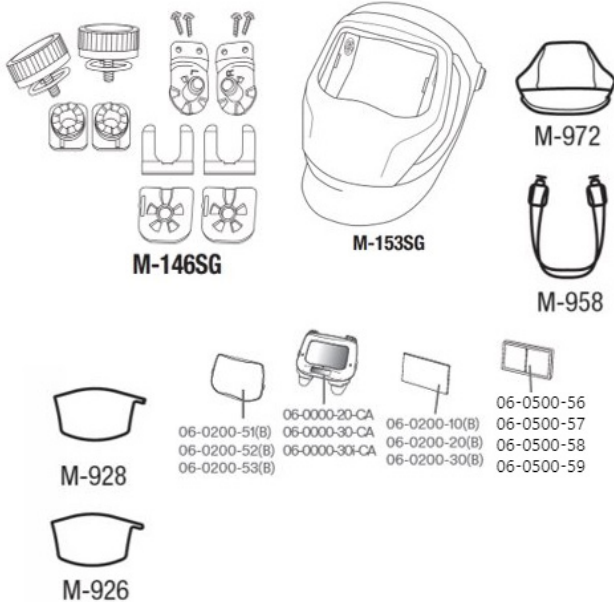
### Before use

- ① **Helmet and headband:** inspect for cracks or any damaged or defective parts. Replace if needed.
- ② **Protection plates:** to help provide the best possible vision, they should be clean and without scratches.
- ③ **Face seal:** if the face seal is damaged, there is a risk that contaminated air will get inside the helmet. Verify it's in place and free from splits and tears.
- ④ **Welding filter:** ensure low-battery indicator is not flashing and check that the sensors are clean and uncovered.
- ⑤ **Breathing tube:** confirm tube is not damaged or leaking any air. To extend the life of breathing tube, use a tube cover or a heavy-duty breathing tube.

### After use

- ① **Clean the helmet:** wipe with a moist tissue or cloth, both inside and outside the helmet. If you suspect that the inside of the breathing tube is dirty, it must be changed. **Do not** rinse, immerse in water, or clean with solvents.
- ② **Face seal and sweatband:** remove for additional cleaning as needed and replace if they have splits or tears or whenever they become unhygienic.
- ③ **Protection plates and visor plate:** clean with a soft cloth and replace if any pits or scratches occur.
- ④ **Breathing tube:** replace if damaged, deformed or leaking any air.
- ⑤ **Storage:** store the helmet in a dry, clean area away from direct sunlight, high temperatures and solvents.

### Accessories and consumables



Part No	Description	Part No	Description
<b>M-401</b>	Helmet only (No visor or faceseal).	<b>M-409SG</b>	Helmet M-407 with flame resistant helmet cover, leather shroud (M-449) and Speedglas welding shield, without welding filter.
<b>M-405</b>	Helmet (M-925, M-926, M-444, M-445, M-956).	<b>M-444</b>	Inner shroud.
<b>02-0024-00</b>	Sweatband, fleecy cotton, 2/case.	<b>M-447</b>	Flame resistant outer shroud.
<b>38-1101-30iSW</b>	Helmet M-407 with Speedglas welding shield, 9100XXi welding filter and Adflo powered air respirator.	<b>M-449</b>	Leather outer shroud.
<b>38-1101-00SW</b>	Helmet M-407 with Speedglas welding shield, without welding filter, with Adflo powered air respirator.	<b>M-919</b>	Visor frame buttons.
<b>BT-20L</b>	Breathing tube, polyurethane (size: large), with QRS connection.	<b>M-920</b>	Visor frame.
<b>BT-20S</b>	Breathing tube, polyurethane (size: short), with QRS connection.	<b>M-921</b>	Visor gasket.
<b>BT-30</b>	Breathing tube, self-adjusting (20.7" to 33.5"), with QRS connection.	<b>M-925</b>	Standard Visor.
<b>BT-40</b>	Breathing tube, heavy-duty rubber, with QRS connection.	<b>M-926</b>	Peel-off visor cover for M-925.
<b>M-146SG</b>	Helmet knobs and pivot kit for welding shield.	<b>M-927</b>	Premium Visor.
<b>M-150</b>	Head suspension (M-207).	<b>M-928</b>	Peel-off visor cover for M-927.
<b>M-153SG</b>	Helmet M-407 with Speedglas welding shield, without welding filter	<b>M-956</b>	Ratchet comfort pad.
<b>M-207</b>	Faceseal assembly M207.	<b>M-978</b>	Helmet cover.
<b>M-307</b>	Helmet M-307.	<b>SG-15</b>	Flame resistant breathing tube cover (replaces 17-0099-54).
<b>M-350</b>	Head suspension for headtop series M-300 and M-400	<b>SG-30W</b>	Breathing tube, self-adjusting.
<b>M-407</b>	Helmet M-407 with shroud.	<b>SG-40W</b>	QRS connection Breathing tube, heavy-duty.
<b>M-407SG</b>	Helmet M-407 with flame resistant shroud (M-447) and Speedglas welding shield, without welding filter.	<b>SG-50W**</b>	QRS connection Breathing tube, sound-dampening.

\* (B) = bulk version available  
B = only available in bulk

