




Shoulder Harness – Accessory

User Instructions

IMPORTANT: Before use, the wearer must read and understand these User Instructions. Keep these User Instructions for reference.

⚠ WARNING	
	This component is part of a system that helps protect against certain airborne contaminants. Misuse may result in injury, sickness or death. For correct use, consult supervisor and <i>User Instructions</i> , or call Technical Service at 1-833-804-3673.

Description

The Shoulder Harness Accessory is designed to be used only with the Limited-Use Public Health Emergency Powered Air Purifying Respirator (PAPR) Assembly. The shoulder harness is an optional accessory which may be used in addition to the belt to secure the blower unit to the wearer.

NIOSH – Approval, Cautions, & Limitations

This product is one component of a NIOSH approved respiratory protection system. Refer to the User Instructions and/or the NIOSH approval label provided with the Ford PAPR blower unit for approved configurations and applicable NIOSH Cautions and Limitations.

Assembly

The shoulder harness may be used in addition to the standard belt. (Figure 2):

1. Install the shoulder harness by threading the end of the strap through the retaining slot on the back side of the blower unit. The harness should follow the same path as the lap belt (Figure 1) and lay flat across the belt and the user's lower back.

2. A slider is included to be used as a keeper for the extra belt length at the free end.
3. Adjust the shoulder harness to position the buckle in a comfortable and accessible location. Tighten the lap belt for a snug fit and then tighten the shoulder harness as appropriate.

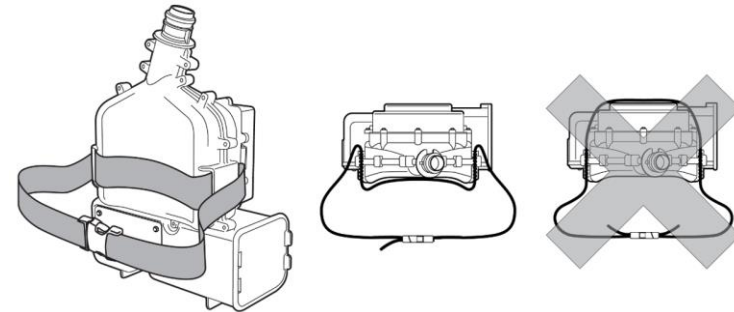


Fig. 1 – Belt install

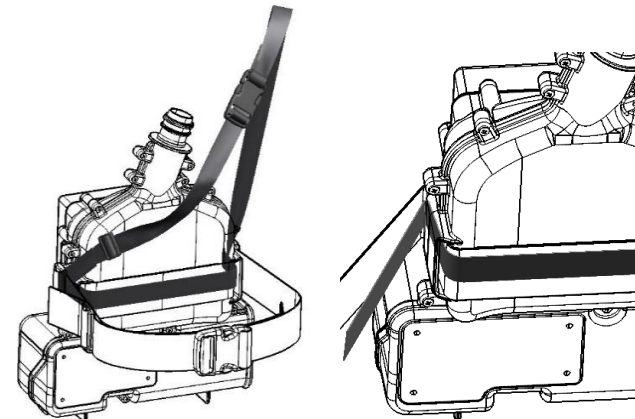


Fig. 2 – Shoulder Harness install

Read completely and follow the User Instructions for the Ford PAPR system being used with this shoulder harness to complete system assembly and performance checks.

For more information:

Website: www.corporate.ford.com/ppe.html

Technical Assistance: 1-833-804-3673

