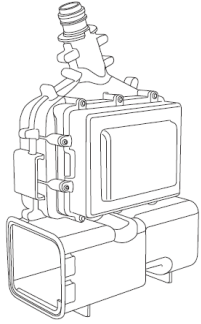


# Quick Start Guide: Limited-Use Public Health Emergency PAPR

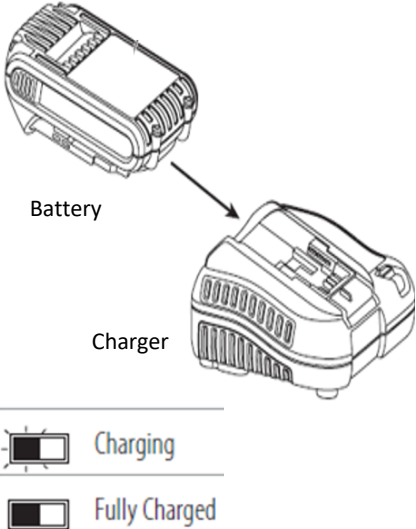
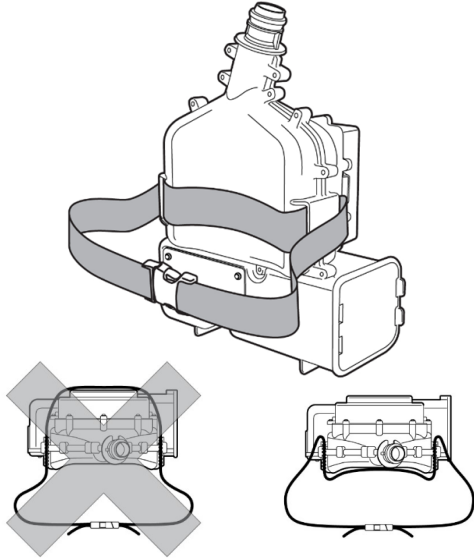
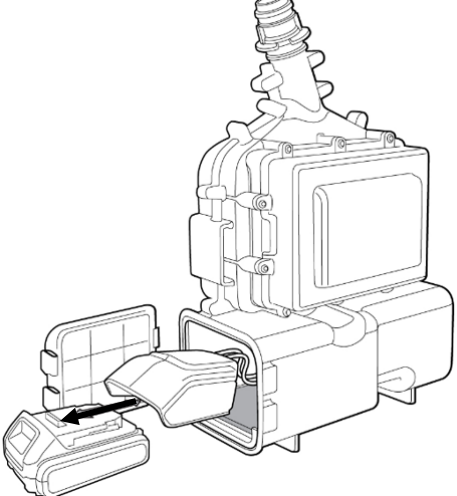
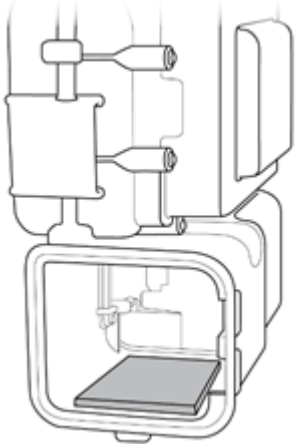
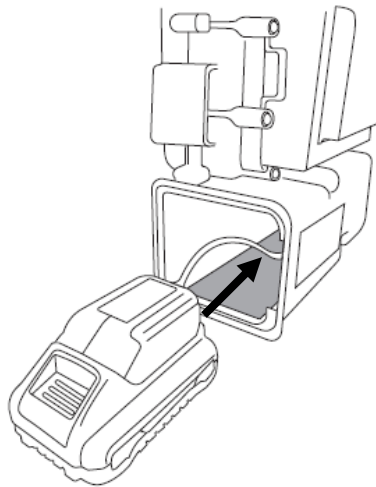
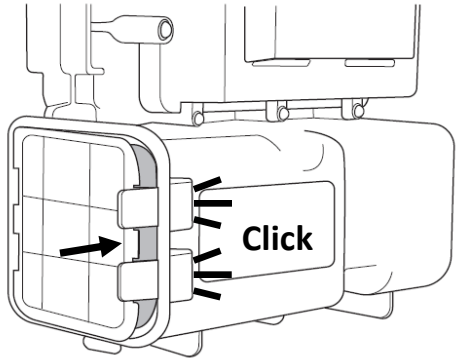
Below is a summary of steps to follow each time a Limited-Use Public Health Emergency PAPR is worn.

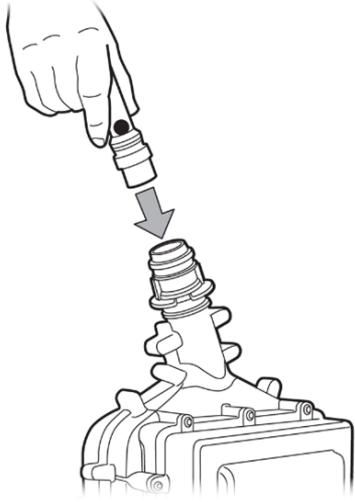
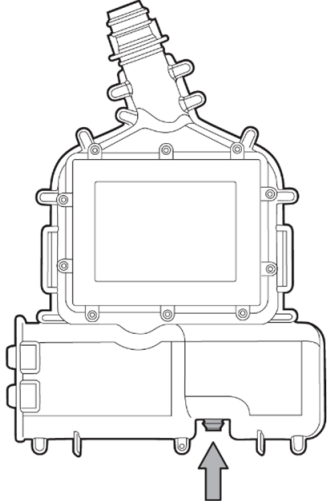
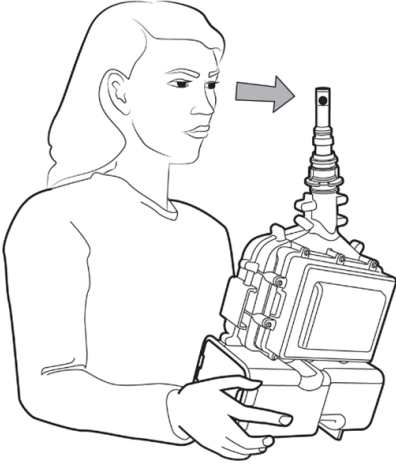
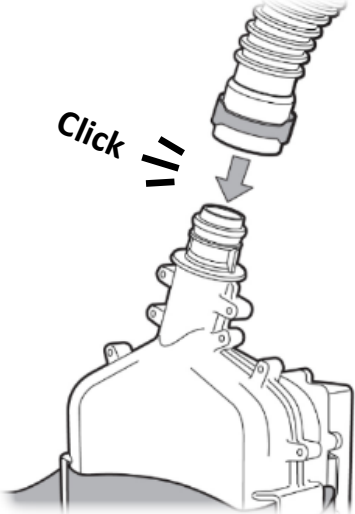
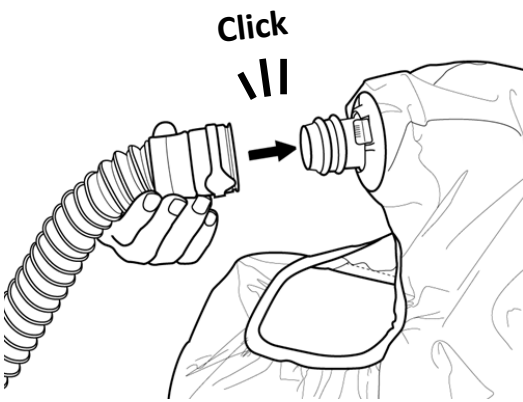
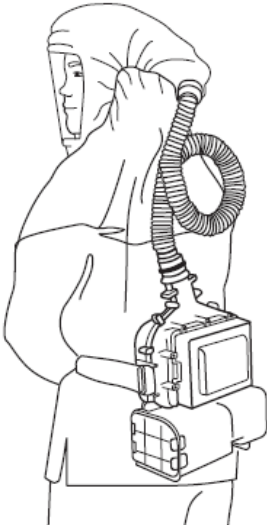


## WARNING


**Before using the Ford PAPR, the wearer must read and understand the *User Instructions*.** This product, when used as part of an approved respiratory protection system, helps protect against certain airborne contaminants. Before use, the wearer must read and understand the *User Instructions* provided as part of the product packaging. Follow all local regulations. In the U.S., a written respiratory protection program must be implemented meeting all the requirements of OSHA 29 CFR 1910.134, including training, fit testing, and medical evaluation. For correct use, consult your supervisor and *User Instructions* or call Technical Service in the U.S.A. at 1-833-804-3673. **Misuse may result in serious bodily injury, sickness or death.**

### 1. Inspect all parts before use

<p><b>2. Charge battery</b></p>  <p>Battery</p> <p>Charger</p> <p>Charging</p> <p>Fully Charged</p>	<p><b>3. Attach belt to PAPR</b></p> 	<p><b>4. Attach battery to adapter</b></p> 
<p><b>5. Insert foam block (one time only)</b></p> 	<p><b>6. Place battery/adapter into blower unit</b></p> 	<p><b>7. Close battery compartment door</b></p>  <p>Click</p>

8. Insert Air Flow Indicator	9. Turn PAPR blower unit ON	10. Perform airflow check
		
11. Attach breathing tube to blower	12. Attach breathing tube to hoodtop	13. Don the PAPR assembly
		

The following is designed to be a Quick Start Guide for reference purposes only. Before using the Limited-Use Public Health Emergency PAPR, all users must read and understand the User Instructions. If you have questions, consult your supervisor or call Technical Service at 1-833-804-3673.

 **WARNING**



**Before using the Ford PAPR, the wearer must read and understand the *User Instructions*.** This product, when used as part of an approved respiratory protection system, helps protect against certain airborne contaminants. Before use, the wearer must read and understand the *User Instructions* provided as part of the product packaging. Follow all local regulations. In the U.S., a written respiratory protection program must be implemented meeting all the requirements of OSHA 29 CFR 1910.134, including training, fit testing, and medical evaluation. For correct use, consult your supervisor and *User Instructions* or call Technical Service in the U.S.A. at 1-833-804-3673. **Misuse may result in serious bodily injury, sickness or death.**

### 1. Inspecting the Limited-Use Public Health Emergency PAPR system

If parts are missing or damaged, do not use PAPR assembly. Contact your supervisor or Technical Service.

- Blower Unit: Inspect for cracks, holes, damage, or missing parts
- Battery pack: Confirm battery pack case is intact and battery is fully charged
- Battery adapter: Ensure electrical connections and wiring are intact and not damaged
- Breathing tube: Examine breathing tube for tears, holes, cracks, flexibility and ensure gaskets on the breathing tube ends are intact
- Belt: Inspect belt for rips, tears, fraying and buckles for damage
- Hoodtop: Inspect the hood for tears, cuts, loose stitching, cracks, discoloration, or other signs of damage

## 2. Assembling and flow check the Limited-Use Public Health Emergency PAPR system

- Attach blower unit to belt (the filter comes pre-installed in the blower unit)
- Open battery compartment cover, releasing both latching tabs, one at a time.
- Attach fully charged battery pack to adapter, do not use excessive force when extracting adapter
- Place battery/adapter inside of the blower unit with foam block and close & latch battery compartment cover
- **Perform flow check (prior to each use)**
  - Ensure float ball in the Air Flow Indicator moves freely
  - Insert Air Flow Indicator into the outlet of the blower unit
  - Start blower unit and run for 1 minute
  - With the Air Flow Indicator in a vertical position, the bottom of the floating ball must be at, or above, the minimum flow mark
  - If float ball fails to rise above the minimum mark, do not use the blower unit
  - Remove Air Flow Indicator from the blower unit
- Attach the "TO BLOWER" end of the breathing tube onto the blower unit air outlet
- Gently pull on breathing tube to ensure secure connection to blower unit
- Connect the breathing tube to the hoodtop by pushing the breathing tube onto the quick connector until it snaps into place
- Gently pull on breathing tube to ensure secure connection to hoodtop

## 3. Donning the Limited-Use Public Health Emergency PAPR system

- Use belt to attach the PAPR to wearer's waist securely
- Pull hoodtop over head, adjusting face seal under chin making sure facial hair does not interfere with the face seal

## 4. Doffing and post-use of the Limited-Use Public Health Emergency PAPR system

- Exit the contaminated work area
- Remove the PAPR system making sure to follow workplace procedures so as not to expose yourself to contaminants
- Turn off blower unit by pressing the power button on the bottom of the blower unit
- Clean and store the PAPR following practices established by your employer and the user instructions

Ford Motor Company  
One American Road  
Dearborn, MI 48126  
Occupational Use Only

In United States of America  
Technical Service: 833-804-3673  
Customer Service: 833-804-3673  
[www.corporate.ford.com/ppe](http://www.corporate.ford.com/ppe)

Please recycle.