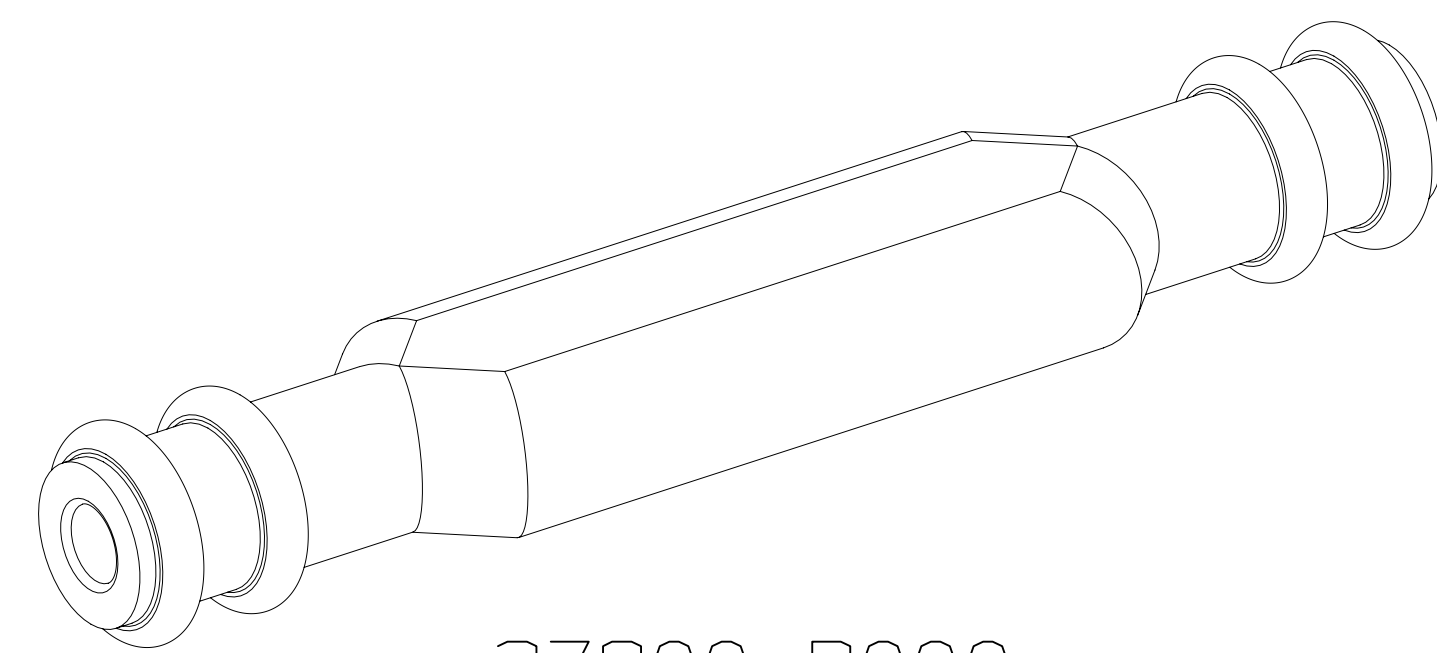


3M™ WATER-RESISTANT BOOT, 378 SERIES, 37800-P000



37800-P000

- * SIMPLE INSTALLATION, REQUIRES NO TOOLS, PREVENT HUMAN ERROR.
- * ACCOMMODATES A WIDE RANGE OF CABLE SIZES; OD 2.5MM TO 6.0MM.
- * BRING DOWN TOTAL SYSTEM COST BY ATTACHING THE KIT ONLY ONTO CRITICAL CONNECTING POINT.
- * CONNECTOR AND CABLE; APPLICABLE WITH e-CON.

- NOTES
- FOR INSTALLATION GUIDE. SEE INSTRUCTION SHEET 78-9102-7627-4.
 - PRODUCT NUMBER:
37800-P000
37103-XXXX-X00 FL
37104-XXXX-X00 FL
37303-XXXX-000 FL
37304-XXXX-000 FL 2.5-6.0

APPLICABLE CONNECTOR AND CABLE:
3M™ MINI-CLAMP PLUG CONNECTOR
3M™ MINI-CLAMP SOCKET CONNECTOR
CABLE OD RANGE (mm)
 - THE TEMPERATURE RATING FOR 3M™ WATER-RESISTANT BOOT 37800-P000: -20° TO 85°C.

APPLICATIONS:

- * ENVIRONMENTAL SEALING FOR SPLICING OF SENSORS, ACTUATORS AND OTHER DEVICES WHICH HAS 2-4 WIRES INTERFACE IN FACTORY AUTOMATION, MATERIAL HANDLING, ROBOT AND OTHER VARIOUS EQUIPMENT.

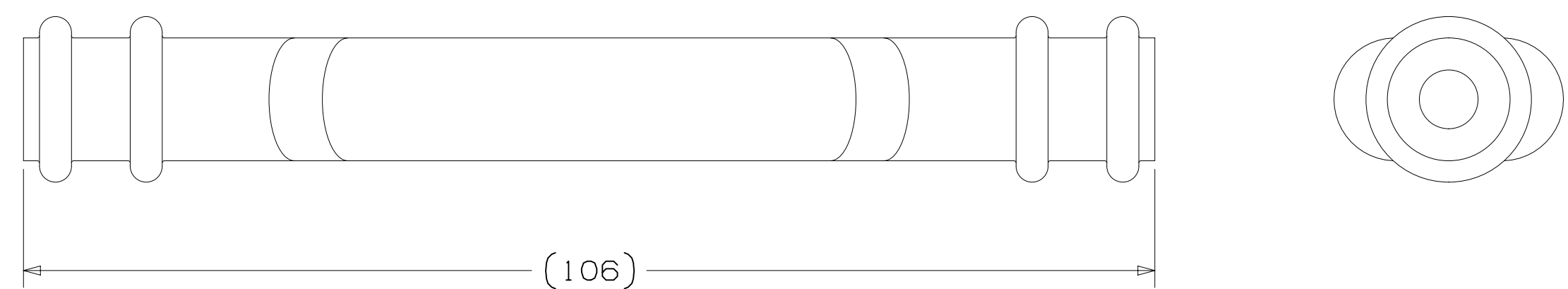
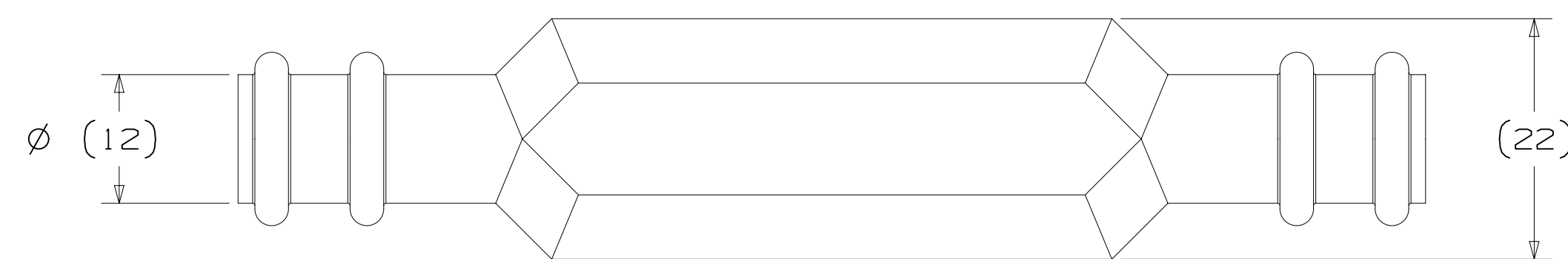
KIT CONTAINS:

- * MANUAL (JAPANESE VERSION INCLUDED) ASK FOR ENGLISH/CHINESE VERSION FOR LOCAL CONTACT.
- * SILICON COLD SHRINK TUBE WITH CORE.
- * SEALING TAPE FOR PROTECTION AND CABLE OP ADJUSTMENT.

1 REFERENCE STEPS FOR INSTALLATION:

- * AFTER THE TERMINATION OF MINI-CLAMP CONNECTOR, ATTACH SEALING TAPE ONTO THE CABLE, POSITION IS DESCRIBED IN THE MANUAL.
- * LOCATE THE TUBE AT THE CENTER OF THE CONNECTION, PINCH THE CONNECTOR AND UNWIND CORE COUNTERCLOCKWISE.
- * SEE INSTALLATION GUIDE: 78-9102-7627-4.

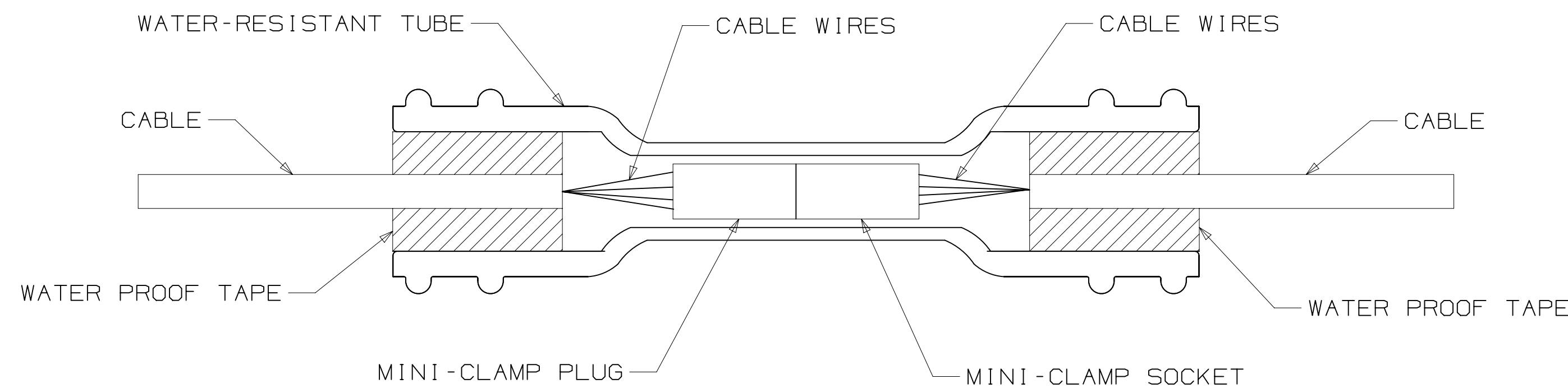
NOTE:
3M™ WATER-RESISTANT BOOT 37800-P000 IS AN OPEN ENDED, TUBULAR, SILICON RUBBER SLEEVE WITH SOFT SEALING TAPE FOR IP67 PROTECTION FOR 3M MINI-CLAMP CONNECTORS. TUBE IS PRE-EXPANDED AND ASSEMBLED ONTO A REMOVABLE CORE. BY ATTACHING THE TUBE TOGETHER WITH SEALING TAPE AND REMOVING THE CORE BY HAND, THIS KIT PROVIDES IP67 PROTECTION WITHOUT ANY HEAT TREATMENT TOOLS. PLEASE CONTACT 3M FOR THE DURABILITY AGAINST OIL AND CHEMICALS.



ORDERING INFORMATION

37800-P000

SERIES NUMBER



3M ELECTRONICS MATERIALS SOLUTIONS DIVISION
INTERCONNECT SOLUTIONS
<http://www.3M.com/interconnect>

3M IS A TRADEMARK OF 3M COMPANY.
FOR TECHNICAL, SALES OR ORDERING
INFORMATION CALL 800-225-5373

DESIGN REFERENCE	NEXT ASSEMBLY	REV	ECO	ISSUE DATE AND DESCRIPTION	DRFT	CHKD
APPROVED	DATE	DATE	DATE	DATE	DATE	DATE
DIVISION		DIVISION CODE		DATE		
		EMSD		DEC 13, 2019		
DO NOT SCALE DRAWING	SCALE 2/1	TOLERANCES EXCEPT AS NOTED		INCHES		
				.00		
				.000		
				.0000		
				MILLIMETERS		
				0		
				.00		
				.000		
				.000		
				MARKED ONLY		
				ANGLES		
CAGE NUMBER		SIZE	DRAWING NO.	REV.		
D			78-5100-2700-2	B		
MODEL		37800	DET	YES	NO	SHT 1 OF 2

B	94814	FEB 01, 2021	JNC	FJR
A	88853	FEB 13, 2020	JNC	FJR
REV	ECO	ISSUE DATE AND DESCRIPTION	DRFT	CHKD
		PRODUCTION RELEASE		
CHKD	DATE	DATE	DATE	DATE

3M Center St. Paul, MN 55144
© 3M COPYRIGHT 2021
This document and the information it contains are 3M property and may not be reproduced or further distributed without 3M permission, or used or disclosed other than for 3M authorized purposes. All rights reserved.

3M™ WATER-RESISTANT BOOT, 378 SERIES, 37800-P000

Regulatory: For regulatory information about this product, visit 3M.com/regs or contact your 3M representative.

Technical Information: The technical information, recommendations and other statements contained in this document are based upon tests or experience that 3M believes are reliable, but the accuracy or completeness of such information is not guaranteed.

Product Use: Many factors beyond 3M's control and uniquely within user's control can affect the use and performance of a 3M product in a particular application. Given the variety of factors that can affect the use and performance of a 3M product, user is solely responsible for evaluating the 3M product and determining whether it is fit for a particular purpose and suitable for user's method of application.


Warranty, Limited Remedy, and Disclaimer: Unless an additional warranty is specifically stated on the applicable 3M product packaging or product literature, 3M warrants that each 3M product meets the applicable 3M product specification at the time 3M ships the product. 3M MAKES NO OTHER WARRANTIES OR CONDITIONS, EXPRESS OR IMPLIED, INCLUDING, BUT NOT LIMITED TO, ANY IMPLIED WARRANTY OR CONDITION OF MERCHANTABILITY OR FITNESS FOR A PARTICULAR PURPOSE OR ANY IMPLIED WARRANTY OR CONDITION ARISING OUT OF A COURSE OF DEALING, CUSTOM OR USAGE OR TRADE. If the 3M product does not conform to this warranty, then the sole and exclusive remedy is, at 3M's option, replacement of the 3M product or refund of the purchase price.

Limitation of Liability: Except where prohibited by law, 3M will not be liable for any loss or damage arising from the 3M product, whether direct, indirect, special, incidental or consequential, regardless of the legal theory asserted, including warranty, contract, negligence or strict liability.

3M Company
Electronics Materials Solutions Division
13011 McCallen Pass, Bldg. C
Austin, TX 78753-5380
1-800-225-5373
www.3M.com/interconnect

3M ELECTRONICS MATERIALS SOLUTIONS DIVISION
INTERCONNECT SOLUTIONS
<http://www.3M.com/interconnect>

3M IS A TRADEMARK OF 3M COMPANY.
FOR TECHNICAL, SALES OR ORDERING
INFORMATION CALL 800-225-5373

DESIGN REFERENCE	NEXT ASSEMBLY	REV	ECO	ISSUE DATE AND DESCRIPTION	DRFT	CHKD
DESIGN CODES		DRFT	DATE	MFG	DATE	
		CASTIGLIONE	DEC 13, 2019			
DIVISION	DIVISION CODE	CHKD	DATE	APPRV	DATE	
	EMSD			F. RODRIGUEZ	DEC 13, 2019	
DO NOT SCALE DRAWING	SCALE 2/1	TOLERANCES EXCEPT AS NOTED		 <small>© 3M COPYRIGHT 2021 This document and the information it contains are 3M property and may not be reproduced or further distributed without 3M permission, or used or disclosed other than for 3M authorized purposes. All rights reserved.</small>		
THIRD ANGLE PROJECTION	INTERPRET PER ASME Y14.5 - 2018	INCHES		TITLE		
		.00 ± .000 ± 0.000 ±		WATER-RESISTANT BOOT, 378 SERIES, 37800-P000		
MAX SURFACE ROUGHNESS	MARKED SURFACES	MILLIMETERS		CAGE NUMBER	SIZE	DRAWING NO.
0.8	✓	0 ± .00 ± 0.000 ±		D		78-5100-2700-2
	□	ANGLES		MODEL	REV.	
				37800	B	