

15 kV Cold Shrink R-800

Product Data Sheet

The Cold Shrink R-800 (CS8 Series) is an innovative blend of the Richards CSH Series and R-800. Like the traditional R-800, the CS8 Series is molded with a 200A Loadbreak Tap integral to the Deadbreak Elbow housing. Its cold-shrinkable cable entrance eliminates the need for a cable adapter and separate jacket seal kit. By combining so many components into a single housing, the CS8 series is perfectly optimized for simplicity and reliability.

The Cold Shrink R-800 is equipped with a stainless steel Fastener, a specialized internal component that is engaged by assembly tool to torque the assembly of R-800, Lug and mating component. These fasteners are available in several types designed to provide configurations to meet every application.

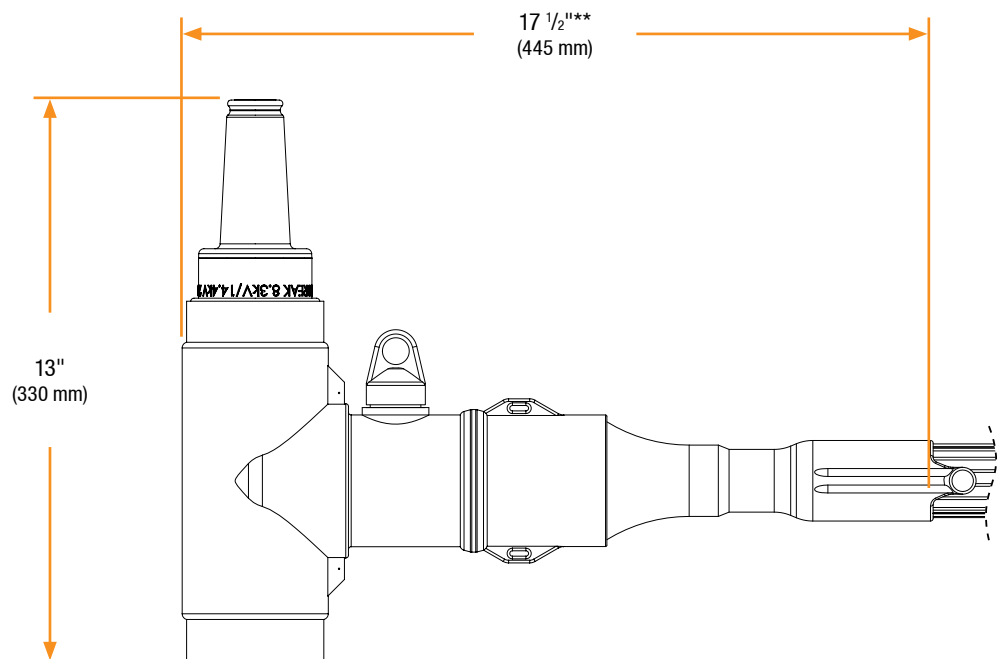


Features

- Combines 200 A Loadbreak tap and Deadbreak Elbow
- Available in multiple configurations to meet every application
- Includes installation tool that guarantees proper torque*
- Reduces inventory and installation costs
- Range Taking
- 100% EPDM Composition
- Designed, Molded, and Tested in the USA
- Optional Capacitive Test Point

*Applies to R-800's with 3/8" fasteners only.

Basic Dimensions



**Approximate length – varies by cable size.

15 kV Cold Shrink R-800

Product Ratings

Voltage Ratings	
Maximum Voltage Rating – (phase to ground)	8.3 kV
Corona Voltage Level – (partial discharge extinction voltage)	13 kV [†]
AC Withstand – (1 minute)	34 kV
Impulse-Withstand Voltage – (BIL)	110 kV BIL [†]

Current Ratings (Deadbreak Side)	
Continuous – (Aluminum)	600 A
Continuous – (Copper)	900 A
Short-Time Current – (Aluminum)	40 kA, 10c. and 10 kA, 3s. [†]
Short-Time Current – (Copper)	40 kA, 10c. and 10 kA, 3s.

Current Ratings (Loadbreak Side)	
Continuous	200 A
Short-Time Current	10 kA, 10c. and 3.5 kA, 3s.

The 15 kV Class Cold Shrink R-800 is qualified to the following industry standards:

- IEEE Std 386: For Separable Insulated Connector Systems
- ANSI C119.4: For Electric Connectors
- IEEE Std 592: For Exposed Semiconducting Shields

Production Testing

IEEE requires a Partial Discharge test and choice between AC withstand and Impulse.

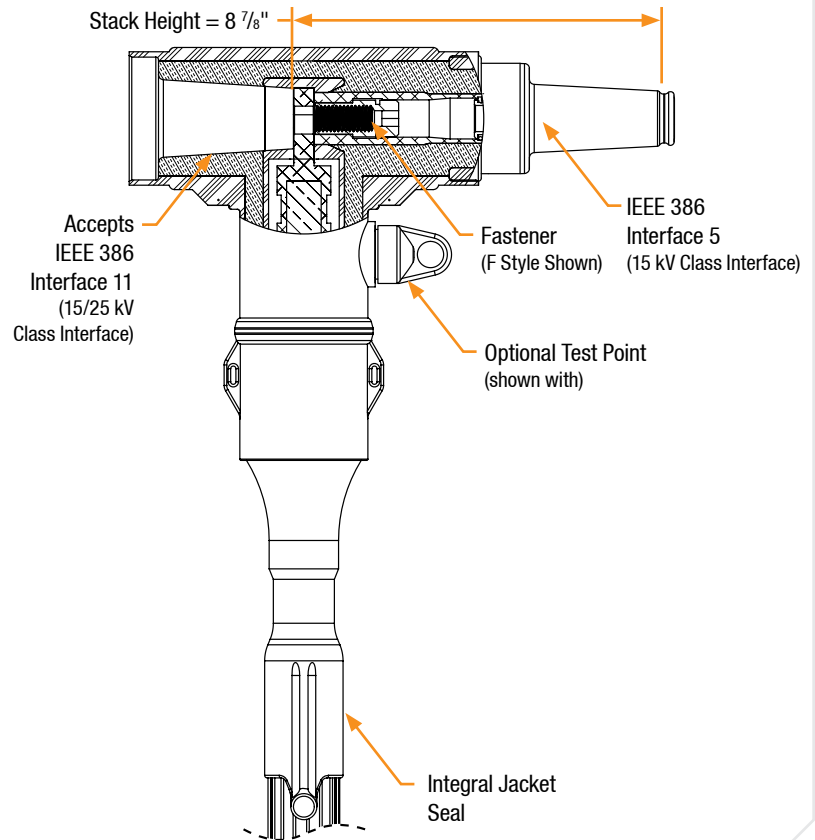
Richards runs 3/3 tests on **all** Medium Voltage products governed by IEEE 386.[†]

100% Routine Electrical Test:

- Partial Discharge
- AC Withstand
- Impulse Withstand

[†]Exceeds IEEE 386 requirement

Detail View



Related Products

P625HIP-STUD

15/25 kV Aluminum Threaded Stud

P925HIP-STUD

15/25 kV Copper Threaded Stud

P6AL-X

Aluminum Compression Lug

P9CU-X

Copper Compression Lug

P6ALR-X

Aluminum Range Taking Lug

P7ALCU-X

Copper-Top Compression Lug

21LBICG

15 kV Loadbreak Insulating Cap

21LGN

15 kV Loadbreak Grounding Elbow

15 kV Cold Shrink R-800

Use Range-CS8 Table

The following product sizing information is based on AEIC/ICEA dimensional ranges. The true range of the CS8 Series on a particular cable construction may vary. To confirm sizing on non-standard cables, or to check sizing on cables that fall just outside our min. or max., contact the factory.

Elbow Size	Voltage Class	Conductor Size	
		Minimum	Maximum
O Minimum Insulation Diameter = 0.725"	15 kV (175 mil)	1/0 AWG*	500 kcmil
	15 kV (220 mil)	#2 AWG**	
	25 kV (260 mil)	#4 AWG	
P Minimum Insulation Diameter = 0.990"	15 kV (175/220 mil)	350 kcmil***	750 kcmil
	25 kV (260 mil)	4/0 AWG	
Q Minimum Insulation Diameter = 1.268"	15 kV (175 mil)	750 kcmil	1500 kcmil
	15 kV (220 mil)	600 kcmil	
	25 kV (260 mil)	500 kcmil****	

* May not fit some 1/0 AWG compressed/compact 100% (175 mil) insulated power cables. Check minimum insulation diameter to confirm.

** May not fit some #2 AWG compact 133% (220 mil) insulated power cables. Check minimum insulation diameter to confirm.

*** May not fit some 350 kcmil compact 100% (175 mil) insulated power cables. Check minimum insulation diameter to confirm.

**** May not fit some 500 kcmil compact insulated power cables. Check minimum insulation diameter to confirm.

R-800 Fastener Styles

Currently Using:	Upgrade to R-800 Type:	Installation Torque	Tool Size	Lug	Stick Operable*	Male or Female**	One-Piece Design
Elbow Tap Plug (ETP) or Bushing Insert + Reducing Tap Well	F or H	55 ft-lb	3/8"	Regular	No	Female	Yes
T-OP II	G	20 ft-lb	5/16"	15/16" Hole	Yes		
Loadbreak Reducing Tap Plug (LRTP)	M	55 ft-lb	3/8"	Regular		Male	
	N	20 ft-lb	5/16"	15/16" Hole			

*Stick operability is defined here as the ability to remove the R-800 from the bushing without the assembly of R-800/Cable/Lug being separated.

**Female R-800's come with a loose threaded stud. Male R-800's have the threaded stud built into the fastener.



3M Electrical Markets Division
3M Canada
P.O. Box 5757
London, Ontario
N6A 4T1

3M Electrical Markets Division is an authorized dealer for



3M and 3M Science. Applied to Life. are trademarks of 3M.
Used under license in Canada. © 2020, 3M. All rights reserved.
All other trademarks are property of their respective owners.
1912-16247 E