



Fall Protection

# Engineered anchor points for unique work environments.

## 3M™ DBI-SALA® Flexiguard™ A-Frame

The A-Frame System is a mobile and versatile solution designed to be positioned manually. The freestanding design straddles the work surface, taking up minimal floor space. Available in adjustable height and fixed height models, this two-user solution can be utilized for a wide variety of applications.



### Features:

- ▶ System contains a single rail rated for two users.
- ▶ Glide rail includes two trolleys rated for one user each.
- ▶ Retractables must have AAF (average arresting force) of 900 lbs. (4kN) and user weights of 310 lbs. (141 kg) or less.
- ▶ Systems include heavy-duty leveling jacks.
- ▶ Lightweight aluminum construction.
- ▶ Portable design that can be moved easily.
- ▶ Four integrated swiveling wheels.
- ▶ Multiple height and width options available.

### Target Applications:



Mining

- ▶ Heavy equipment maintenance



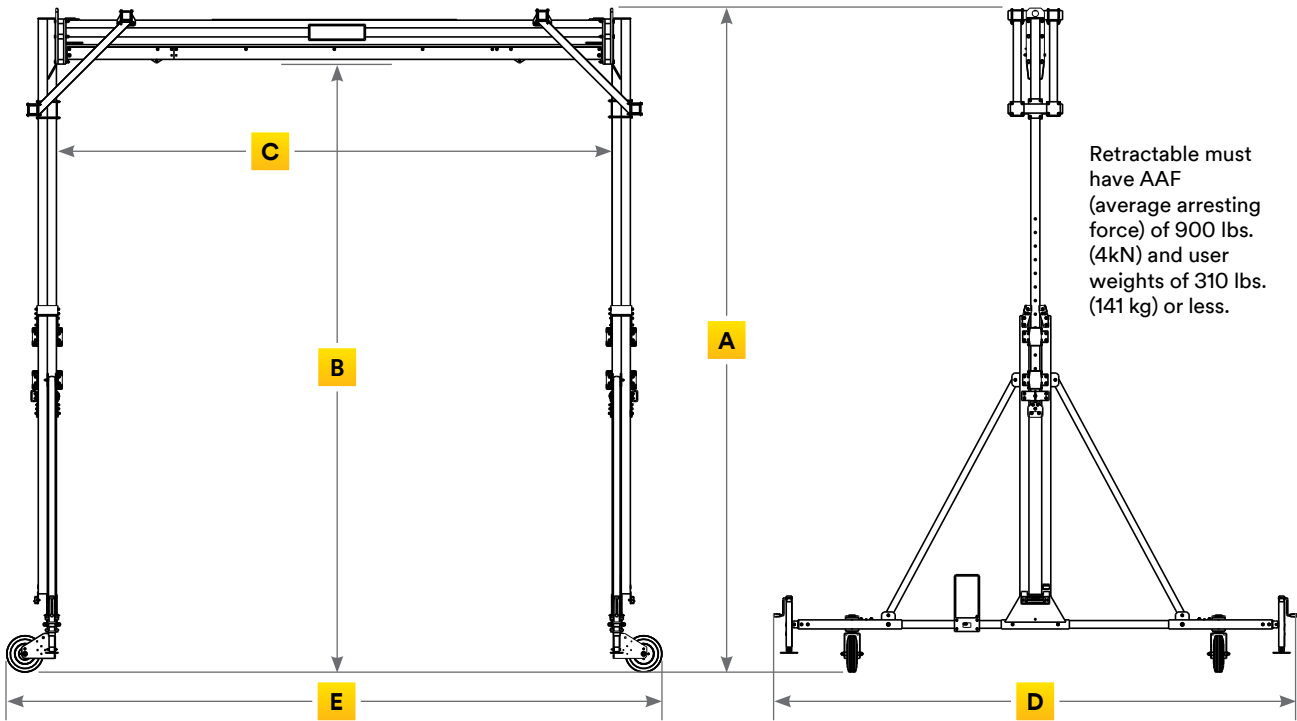
General industry

- ▶ Heavy manufacturing



Defense

- ▶ Aircraft
- ▶ Helicopters
- ▶ Heavy vehicles



## Accessories



**8529744**  
Converts wheels (qty. 4 required) to 16 in. foam filled pneumatic tires. (Fixed height A-frame systems only.)



**9502782**  
Grounding reel kit.

### 2-User Rated Fixed Height Models

SKU	Weight (lbs.)	"A" Overall Height	"B" Anchor Height	"C" Trolley Rail Width	"D" Base Length	"E" Base Width
8517790	1,230	17' 0"	15' 0"	15' 0"	19' 2"	17' 4"
8517791	1,380	17' 0"	15' 0"	20' 0"	19' 2"	22' 4"
8517792	1,540	17' 0"	15' 0"	30' 0"	19' 2"	32' 4"
8517793	1,530	22' 0"	20' 0"	15' 0"	19' 2"	17' 4"
8517794	1,680	22' 0"	20' 0"	20' 0"	19' 2"	22' 4"
8517795	2,175	22' 0"	20' 0"	30' 0"	19' 2"	32' 4"
8517796	2,160	32' 0"	30' 0"	15' 0"	19' 2"	17' 4"
8517797	2,240	32' 0"	30' 0"	20' 0"	19' 2"	22' 4"
8517798	2,420	32' 0"	30' 0"	30' 0"	19' 2"	32' 4"

16" rubber molded wheels.

### 2-User Rated Adjustable Height Models

SKU	Weight (lbs.)	"A" Overall Height	"B" Anchor Height	"C" Trolley Rail Width	"D" Base Length	"E" Base Width
8517780	3,160	17' 11" to 24' 5"	16' 0" to 22' 6"	20' 0"	19' 3"	24' 0-3/4"
8517781	3,225	17' 11" to 24' 5"	16' 0" to 22' 6"	30' 0"	19' 3"	34' 0-3/4"

16" foam filled wheels.



**3M Fall Protection**  
3833 SALA Way  
Red Wing, MN 55066 USA

Phone 800.328.6146  
Email [3mfallprotection@mmm.com](mailto:3mfallprotection@mmm.com)  
Web [3M.com/FallProtection](http://3M.com/FallProtection)

**3M.com/FallProtection**

3M, DBI-SALA and Flexiguard are trademarks of 3M.  
Please recycle. Printed in USA.  
© 3M 2020. All rights reserved. 70-0717-3962-0