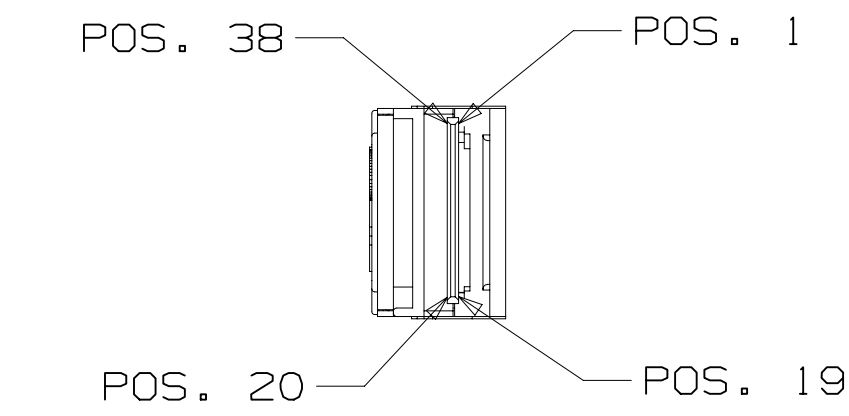
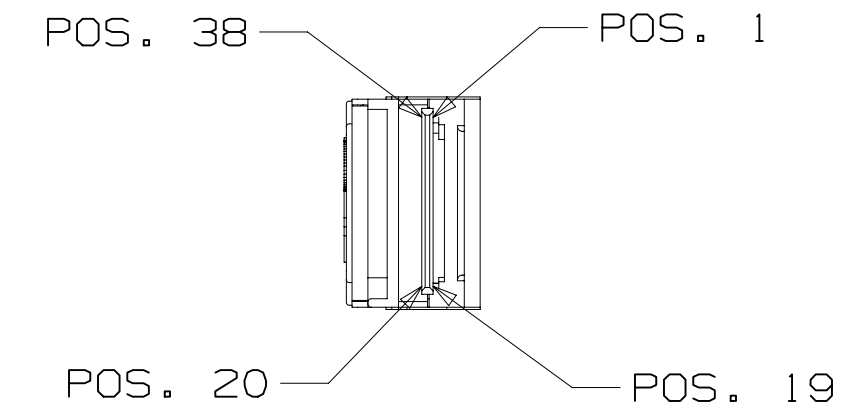
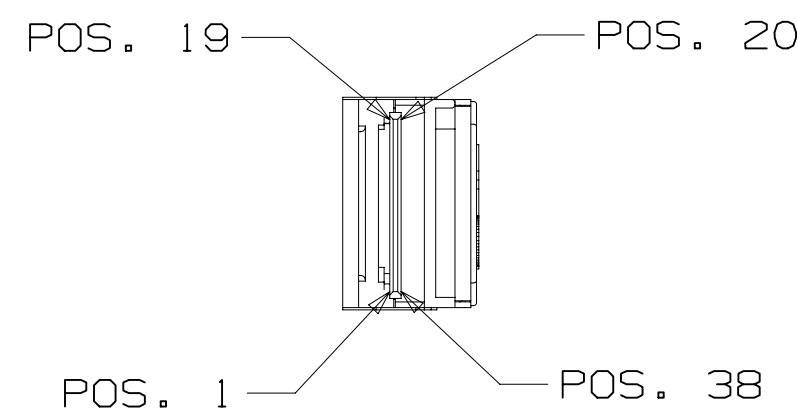
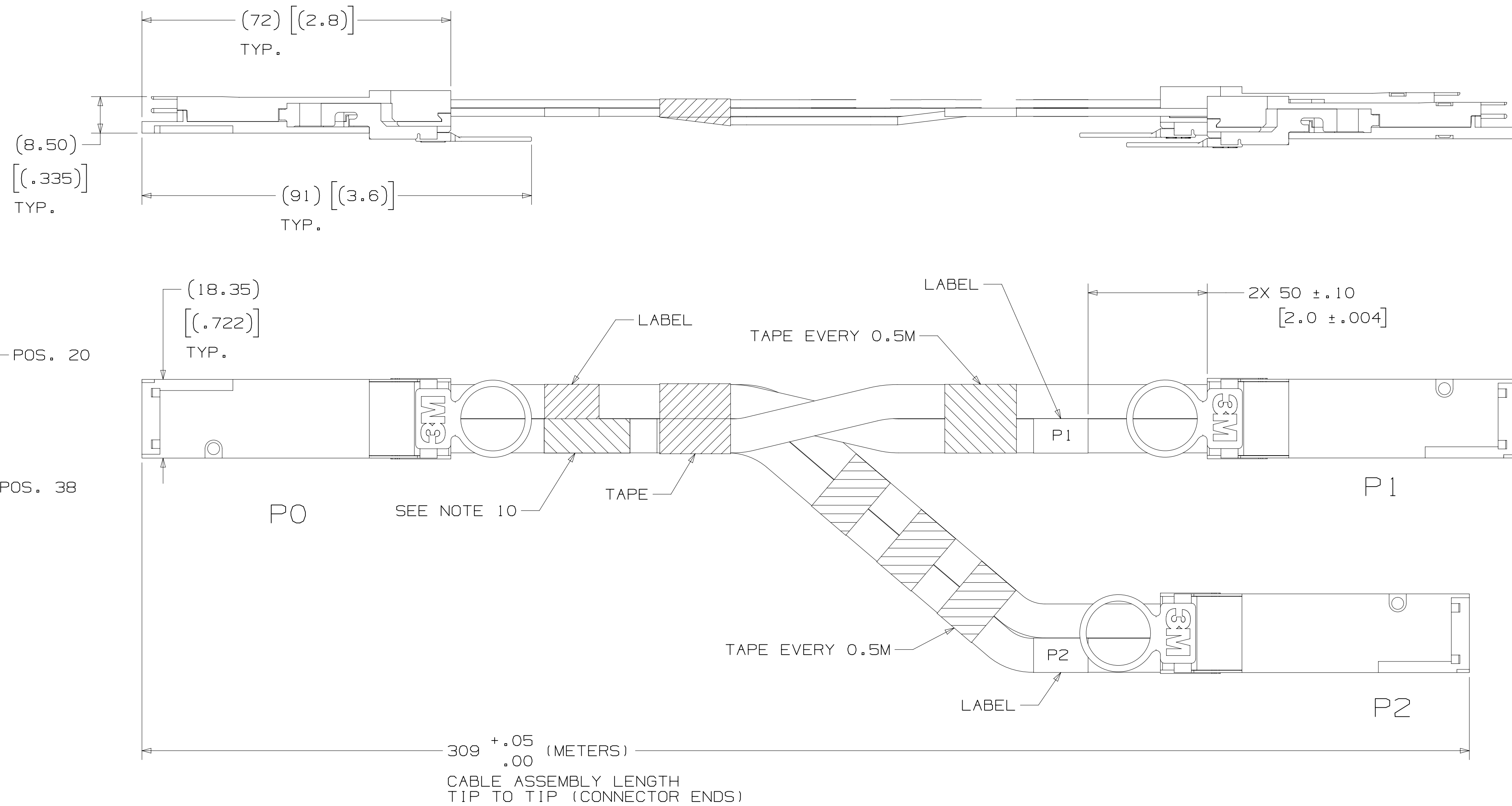


3M™ 100G QSFP28 TO 2X QSFP28 DIRECT ATTACH COPPER CABLE ASSEMBLIES, 9S SERIES  
26 AWG AND 28 AWG ASSEMBLIES



WIRING LIST						
P0 END			P1 END		P2 END	
POS	SIGNAL		POS	SIGNAL	POS	SIGNAL
1	GND (TX)		20	GND (RX)		
2	TX2n	---	21	RX2n		NA
3	TX2P	---	22	RX2p		
4	GND (TX)		23	GND (RX)	20	GND (RX)
5	TX4n				21	RX2n
6	TX4P	---			22	RX2p
7	GND (TX)				23	GND (RX)
13	GND (RX)		GND		35	GND (TX)
14	RX3p	---			36	TX1p
15	RX3n	---			37	TX1n
16	GND (RX)		35	GND (TX)	38	GND (TX)
17	RX1p	---	36	TX1p		NA
18	RX1n	---	37	TX1n		
19	GND (RX)		38	GND (TX)		GND
20	GND (RX)		1	GND (TX)		
21	RX2n	---	2	TX2n		NA
22	RX2p	---	3	TX2P		
23	GND (RX)		4	GND (TX)	1	GND (TX)
24	RX4n	---			2	TX2n
25	RX4p	---			3	TX2P
26	GND (RX)				4	GND (TX)
32	GND (TX)		GND		16	GND (RX)
33	TX3p				17	RX1p
34	TX3n	---			18	RX1n
35	GND (TX)		16	GND (RX)	19	GND (RX)
36	TX1p	---	17	RX1p		NA
37	TX1n	---	18	RX1n		
38	GND (TX)		19	GND (RX)		

LOW SPEED SIGNALS P0, P1 & P2	
POS	SIGNAL
8	ModSelL
9	ResetL
10	VccRx
11	SCL
12	SDA
27	ModPrsL
28	IntL
29	VccTx
30	VccI
31	LPMode

3M ELECTRONICS MATERIALS SOLUTIONS DIVISION  
INTERCONNECT SOLUTIONS  
<http://www.3m.com/interconnect>

3M IS A TRADEMARK OF 3M COMPANY.  
FOR TECHNICAL, SALES OR ORDERING  
INFORMATION CALL 800-225-5373

DIMENSIONS: MM [ INCH ]

DESIGN REFERENCE	NEXT ASSEMBLY	REV	ECO	ISSUE DATE AND DESCRIPTION	DRFT	CHKD
DIVISION	DIVISION CODE	DATE	DATE	DATE	DATE	DATE
	EMSD	JAN 25, 2019	JAN 25, 2019	JAN 25, 2019	JAN 25, 2019	JAN 25, 2019
DO NOT SCALE DRAWING	SCALE 3/2	TOLERANCES EXCEPT AS NOTED				
THIRD ANGLE PROJECTION		INCHES		© 3M COPYRIGHT 2020 This document and the information it contains are 3M property and may not be reproduced or further distributed without 3M permission, or used or disclosed other than for 3M authorized purposes. All rights reserved.		
MAX SURFACE ROUGHNESS	INTERPRET PER ASME Y14.5 - 2018	MILLIMETERS		TITLE 100G QSFP28 TO 2X QSFP28 DAC CABLE ASS'Y, 9S SERIES		
MARKED ONLY		INCHES		CAGE NUMBER D 78-5100-2684-8		
		MILLIMETERS		MODEL OSFP28		
		INCHES		REV. C		
		MILLIMETERS		SHT 1 OF 3		

78-5100-2684-8  
 DRAWING NUMBER  
 9/9/2020  
 UTC  
 Offset (hrs) 6

3M™ 100G QSFP28 TO 2X QSFP28 DIRECT ATTACH COPPER CABLE ASSEMBLIES, 9S SERIES  
26 AWG AND 30 AWG ASSEMBLIES

ORDERING INFORMATION

9SR- BXX- ABD- X.XX

(LENGTH IN METERS)

CABLE:  
D6 = 30 AWG, CL2, WITH SHIELD, MAX LENGTH 2 METERS  
D5 = 26 AWG, CL2, WITH SHIELD, MAX LENGTH 4.5 METERS

NOTE:  
FOR CUSTOM LENGTHS CONTACT A 3M SALES REPRESENTATIVE.

PART NUMBER TABLE		
ORDERING INFORMATION/ PART NUMBERS	CABLE AWG	DIM "A" ASSY LENGTH (m) TIP TO TIP
9SR-BD6-ABD-0.50	30	0.50
9SR-BD6-ABD-1.00		1.00
9SR-BD6-ABD-2.00		2.00
9SR-BD5-ABD-3.00	26	3.00
9SR-BD5-ABD-4.00		4.00

NOTES:

- REGULATORY INFORMATION:  
VISIT 3M.com/regs OR CONTACT YOUR 3M REPRESENTATIVE TO FIND THE ROHS COMPLIANCE STATUS OF THE 3M PART YOU ARE INTERESTED IN.
- UNLESS OTHERWISE NOTED, REFERENCES TO INDUSTRY SPECIFICATIONS ARE INTENDED TO INDICATE SUBSTANTIAL COMPLIANCE TO THE MATERIAL ELEMENTS OF THE SPECIFICATION. SUCH REFERENCES SHOULD NOT BE CONSTRUED AS A GUARANTEE OF COMPLIANCE TO ALL REQUIREMENTS IN A GIVEN SPECIFICATION.
- PRODUCT SPECIFICATION: T.B.D.
- DESIGN TO MEET STANDARDS: IEEE 802.3BJ, SFF-8661, 8662, 8665.
- IN THE EVENT OF CONFLICT BETWEEN THIS DATA AND THAT CONTAINED IN THE PRODUCT SPECIFICATION, THE PRODUCT SPECIFICATION TAKES PRECEDENT.
- ALL CABLE ASSEMBLIES ARE INDIVIDUALLY BAGGED.
- MATERIAL:  
JACKET FOR CABLE: HALOGEN-FREE\* CL2,  
COLOR: BLACK.  
METAL SHELL: NICKEL PLATED ZINC ALLOY.  
PULL TAB: HALOGEN-FREE\* THERMOPLASTIC,  
COLOR: BLACK.  
PCB: HALOGENATED FLAME RETARDANT.
- FOR CUSTOM LENGTHS CONTACT A 3M SALES REPRESENTATIVE.
- \* HALOGEN-FREE IS DEFINED AS BOTH  
(1) NO HALOGEN COMPOUNDS ARE INTENTIONALLY ADDED TO THE PRODUCT OR USED IN THE MANUFACTURING PROCESS FOR THE PRODUCT, AND (2) ANY IMPURITIES PRESENT ARE LESS THAN 900 PPM BROMINE, LESS THAN 900 PPM CHLORINE, AND/OR LESS THAN 1500 PPM TOTAL BROMINE AND CHLORINE.
- CE AND WEEE LABEL.  
CE HEIGHT: MUST BE AT LEAST 5MM  
WEEE HEIGHT: MUST BE AT LEAST 7MM.

Regulatory: For regulatory information about this product, visit 3M.com/regs or contact your 3M representative.

Technical Information: The technical information, recommendations and other statements contained in this document are based upon tests or experience that 3M believes are reliable, but the accuracy or completeness of such information is not guaranteed.

Product Use: Many factors beyond 3M's control and uniquely within user's control can affect the use and performance of a 3M product in a particular application. Given the variety of factors that can affect the use and performance of a 3M product, user is solely responsible for evaluating the 3M product and determining whether it is fit for a particular purpose and suitable for user's method of application.

Warranty, Limited Remedy, and Disclaimer: Unless an additional warranty is specifically stated on the applicable 3M product packaging or product literature, 3M warrants that each 3M product meets the applicable 3M product specification at the time 3M ships the product. 3M MAKES NO OTHER WARRANTIES OR CONDITIONS, EXPRESS OR IMPLIED, INCLUDING, BUT NOT LIMITED TO, ANY IMPLIED WARRANTY OR CONDITION OF MERCHANTABILITY OR FITNESS FOR A PARTICULAR PURPOSE OR ANY IMPLIED WARRANTY OR CONDITION ARISING OUT OF A COURSE OF DEALING, CUSTOM OR USAGE OR TRADE. If the 3M product does not conform to this warranty, then the sole and exclusive remedy is, at 3M's option, replacement of the 3M product or refund of the purchase price.

Limitation of Liability: Except where prohibited by law, 3M will not be liable for any loss or damage arising from the 3M product, whether direct, indirect, special, incidental or consequential, regardless of the legal theory asserted, including warranty, contract, negligence or strict liability.

3M Company  
Electronics Materials Solutions Division  
13011 McCallen Pass, Bldg. C  
Austin, TX 78753-5380  
1-800-225-5373  
www.3M.com/interconnect

3M ELECTRONICS MATERIALS SOLUTIONS DIVISION  
INTERCONNECT SOLUTIONS  
http://www.3M.com/interconnect

3M IS A TRADEMARK OF 3M COMPANY.  
FOR TECHNICAL, SALES OR ORDERING  
INFORMATION CALL 800-225-5373

DESIGN REFERENCE	NEXT ASSEMBLY	REV	ECO	ISSUE DATE AND DESCRIPTION	DRFT	CHKD
				JAN 25, 2019		
REV	ECO	ISSUE DATE AND DESCRIPTION	DRFT	CHKD	DATE	DATE
		JAN 25, 2019				
DIVISION	DIVISION CODE	DATE	DATE	DATE	DATE	DATE
	EMSD	JAN 25, 2019				
DO NOT SCALE DRAWING	SCALE 1/1	TOLERANCES EXCEPT AS NOTED				
THIRD ANGLE PROJECTION	INTERPRET PER ASME Y14.5 - 2018	MILLIMETERS				
MAX SURFACE ROUGHNESS	DT SURFACES	MARKED ONLY				
CAGE NUMBER	SIZE	DRAWING NO.	REV.			
D		78-5100-2684-8	C			
MODEL	OSFP28	DET	YES	NO	SHT 2 OF 3	

78-5100-2684-8 DRAWING NUMBER  
Time 9/9/2020 11:53:00 AM UTC Offset (hrs) 6

