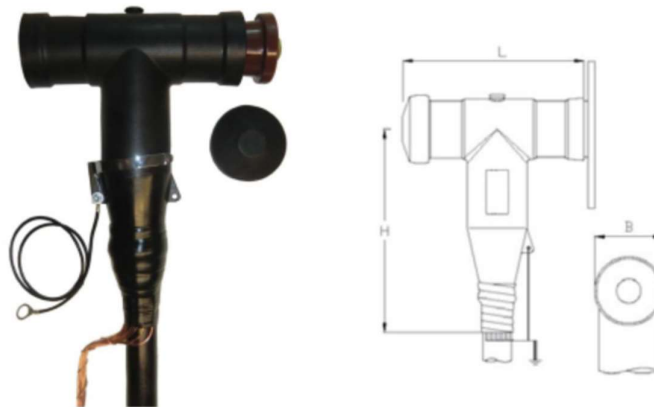


**3M™ Separable Connectors**  
**Symmetrical T Type Connectors 630A Umax 24kV**  
**92/93-EE 998-6 xx MC 630A Series**

---



**Product Description**

3M™ 92/93-EE 998-6 xx MC 630A Separable Connectors consist of a Symmetrical T Type Separable Connector. The assembly is safe to touch and has an integrated stress controlling part. Each kit contains all the necessary components to install three Plug-In Terminations, including a mechanical connector.

**Application**

3M™ 92/93-EE 998-6 xx MC 630A Separable Connectors are designed to be installed on wire screened non-armoured polymeric insulated cables for 6.6/11(12)kV up to 12.7/22(24)kV - 630A applications. The Separable Connector establishes the connection between any polymeric insulated cable onto transformers, switchgears, motors or other equipment.

**Typical Properties**

The one-piece design of the Separable Connector is made of EPDM rubber. It guarantees a watertight connection and a long life span for cable ends. It is suitable for outer cone bushings according to DIN EN 50180 and DIN EN 50181.

**Performance Tests**

Meets European standard specifications: Cenelec HD 629.1 (DIN VDE 0278, part 629-1).

Test Reports available on request.

Electrical Ratings	Values
Max. System Voltage	24kV
Impulse	125kV
AC Withstand (5 min)	57kV
Continuous Current	630A

**Product Identification**

3M™ 92/93-EE 998-6 xx MC 630A Separable Connectors are marked with supplier name, cable cross section ranges, voltage class and cable type, storage conditions and manufacturing codes for product traceability.

**Shelf Life & Storage**

3M™ 92/93-EE 998-6 xx MC 630A Separable Connectors have a 36 month shelf life from date of production, stated on the label, when stored in a humidity controlled storage (-40°C up to 50°C and < 70% rel. humidity). The expiry date is stated on the carton label.

## Product Selection

Kit Reference	Min. Diameter over Primary Insulation (mm)	Voltage Class			Bushing / Interface / Connection Type	Dimensions (mm)		
		12 kV	17.5 kV	24 kV		L	B	H
		Nominal Cross Section (mm <sup>2</sup> ) *						
93-EE 998-6 25-70 MC 630A S	14.7	50 - 95	25 - 95	25 - 70	C1	225	85	250
92-EE 998-6 95-150 MC 630A S	14.7	95 - 120	-	-	C1	225	85	250
93-EE 998-6 95-240 MC 630A S	22.0	150 - 240	120 - 240	95 - 240	C1	225	85	250

\* Check if the diameter over primary insulation is in the appropriate range

### Safety and Handling

3M provides its customers with a product specific Material Safety Data Sheet (MSDS) to cover potential health effects, safe handling, storage, use and disposal information. 3M strongly encourages its customers to review the MSDS on its products prior to their use.

### Product Stewardship

3M has a fundamental concern for all who make, distribute and use its products, and for the environment in which we live. This concern is the basis of our philosophy and policies by which we assess the health and environmental information on our products and then take the appropriate steps to protect employee, the public health and the environment.

### Customer Notice

3M encourages its customers and potential users of 3M products to review their applications for such products from the standpoint of human health and environmental quality. To help ensure that 3M products are not used in ways for which they were not intended or tested. 3M personnel are available to assist customers in dealing with ecological and product safety considerations.

### Regulatory Status

3M™ 92/93-EE 998-6 xx MC 630A Separable Connectors are compliant with EU regulation 1907/2007/EC (REACH)

**Important Notice:** Before using this product, you must evaluate it and determine if it is suitable for your intended application. You assume all risks and liability associated with such use. All statements, technical information, and recommendations related to 3M's products are based on information believed to be reliable, but the accuracy or completeness is not guaranteed. Before using this product, you must evaluate it and determine if it is suitable for your intended application. You assume all risks and liability associated with such use. Any statements related to the product which are not contained in 3M's current publications, or any contrary statements contained on your purchase order shall have no force or effect unless expressly agreed upon, in writing, by an authorized officer of 3M.

**Warranty; Limited Remedy; Limited Liability.** This product will be free from defects in material and manufacture at the time of purchase. 3M MAKES NO OTHER WARRANTIES INCLUDING, BUT NOT LIMITED TO, ANY IMPLIED WARRANTY OF MERCHANTABILITY OR FITNESS FOR A PARTICULAR PURPOSE. If this product is defective within the warranty period stated above, your exclusive remedy shall be, at 3M's option, to replace or repair the 3M product or refund the purchase price of the 3M product. Except where prohibited by law, 3M will not be liable for any loss or damage arising from this 3M product, whether direct, indirect, special, incidental or consequential regardless of the legal theory asserted.



#### Electrical Markets Division

3M UK PLC, 3M Centre, Cain Rd,  
Bracknell RG12 8HT, United Kingdom  
0870 609 4639  
[www.3M.co.uk/electrical](http://www.3M.co.uk/electrical)

#### Electrical Markets Division

3M Ireland Ltd, The Iveagh Building, The  
Park, Carrickmines, Dublin 18, Ireland  
1 800 812 732  
[www.3M.co.uk/electrical](http://www.3M.co.uk/electrical)

3M and is a trademarks of the 3M  
company.

© 3M 2021. All rights reserved.

Issue 3