

3M™ DBI-SALA® Wall Mount Base High Capacity

Technical Data Sheet

Description

3M™ DBI-SALA® Davit Arm Systems are designed for manhole and confined space entry/retrieval applications.

The Wall Mount Base units are constructed of lightweight materials including high-strength aluminium. The davit pivots for ease-of-rescue and has adjustment for overhead clearance restrictions.

The Davit Arm adjusts to fit most standard entries. Many other portable and fixed bases are available to suit any jobsite need.

Compact design creates minimum intrusion into work space. Mounts to vertical concrete or steel structures.

Comes with PVC sleeve liner.

Specifications

Wall Mount Base High Capacity

Base Material	8000101 - Galvanised steel (75 µm minimum - ISO 1461) 8000102 - Stainless steel 304
Liner Material	High density polyethylene, fixed with silicone
Capacity*	340 kg (for load lifting)
Fall arrest	1 user (140 kg max)
Net Weight	8000101 - 15.70 kg 8000102 - 15.70 kg
Operating Temperature	-40°C to +60°C
Mast Rotation	360°



8000101

Standards

When used with davit arm: AS/NZS 5532:2013

Mast Compatibility*

Compatible with 3M™ DBI-SALA® Davit Mast Extensions, High Capacity (10.1 cm /4' diameter): 8000112, 8000113, 8000114, 8000115.

Not compatible with any other non 3M™ davit mast extension or non 3M™ adaptor.

*See Instructions For Use (IFU)

Installation requirements

Structure:

Vertical concrete or metal

Fixing to the Structure:

4 x M20 fasteners.

Resistance Required*:

Structure must be capable of withstanding a minimum 13.5 kNm moment and a minimum 12.0 kN vertical force.

Each installed fastener must have a minimum pull-out strength of 35.5 kN and a minimum shear strength of 22.2 kN

Installation:

Structure resistance validation and installation execution must be performed by competent person(s).

*See Instructions For Use (IFU)

Ordering Information

3M Code	Model #	Description
70804498841	8000101	3M™ DBI-SALA® Wall Mount Base High Capacity (Galvanised steel)
70804498858	8000102	3M™ DBI-SALA® Wall Mount Base High Capacity (Stainless steel)

Important Notice

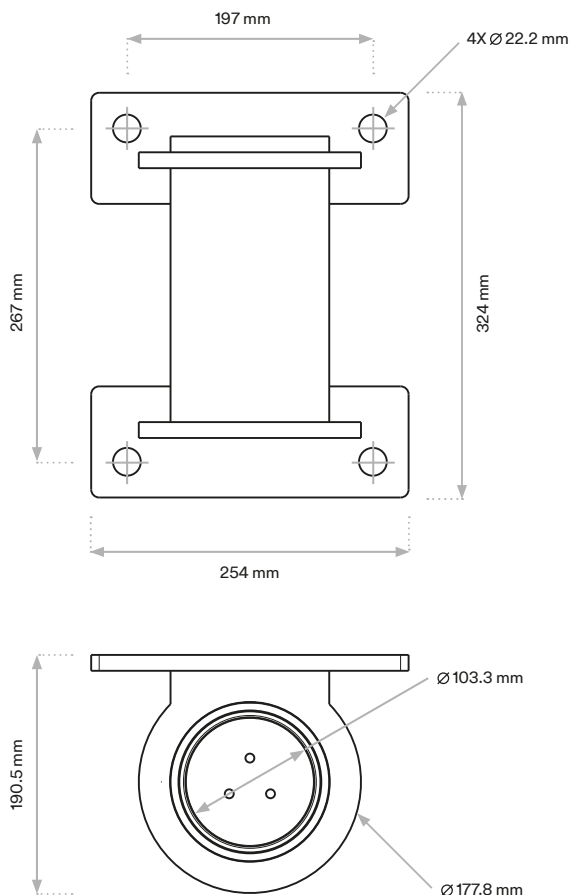
To the extent permitted by law, 3M shall not be liable for any loss or damage including any loss of business, loss of profits, or for any indirect, special, incidental or consequential loss or damage arising from reliance upon any information herein provided by 3M. Nothing in this statement will be deemed to exclude or restrict 3M's liability for death or personal injury arising from its negligence.

The mounting and use of the product described within this document assumes that the user has previous experience of this type of product and that it will be assembled by a competent professional according to product documentation. Before any use of this product it is recommended to complete some trials to validate the performance of the product within its expected application.

All information and specification details contained within this document are inherent to this specific 3M product and would not be applied to other products or environment. Any action or usage of this product made in violation of this document is at the risk of the user.

Compliance to the information and specification relative to the product contained within this document does not exempt the user from compliance with additional guidelines (safety rules, procedures). Compliance to operational requirements especially in respect to the environment and usage of tools with this product must be observed. 3M (who cannot verify or control these elements) would not be held responsible for the consequences of any violation of these rules which remain external to its decision and control.

Warranty conditions for products are determined with the sales contract documents and with the mandatory and applicable law, excluding any other warranty or compensation.



3M Australia Pty Ltd
Personal Safety Division
Bldg A, 1 Rivett Road
North Ryde NSW 2113
TechAssist Helpline: 1800 024 464
Customer Service: 1300 363 565
Email: techassist@mmm.com
Web: www.3M.com/au/ppesafety

3M New Zealand Ltd
Personal Safety Division
94 Apollo Drive, Rosedale
Auckland 0632
TechAssist Helpline: 0800 364 357
Customer Service: 0800 252 627
Email: techassist@mmm.com
Web: www.3M.com/nz/ppesafety

3M and DBI-SALA is a trademark of 3M Company.
Please recycle. Printed in Australia.
© 3M 2019. All rights reserved.
AV011479126