



3M Personal Safety Division

3M Center, Building 0235-02-W-75
St. Paul, MN, USA 55144-1000
651 733 1110

February 1, 2019

Product Announcement:
3M™ Speedglas™ Fresh-Air III Supplied Air Respirator Product Phase-In and 3M™ Speedglas™ Fresh-Air II Supplied Air Hose Product Phase-Out

Dear Valued Customer:

This notice is to inform you of several updates being made on the 3M™ Speedglas™ Fresh-Air III Respiratory Solution kits, including V-100, V-200, and V-300 as well as the phase-out of several 3M™ Speedglas™ Fresh-Air II accessories. To streamline our offering and better serve you, please see additional details and suggested replacement options for your consideration below.

V-100 Vortex Cooling Valve Kits:

3M™ Speedglas™ is excited to launch new Supplied Air kits that incorporate the 9100 XXi Auto-Darkening Filter (ADF) featuring Natural Color Technology, the 3M™ Versaflo™ Premium Holder, and High Durability Leather Belt. These new V-100 kits are expected to launch in February 2019. All current V-100 Kits will be discontinued effective February 28, 2019 and will be available while supplies last (which we estimate to be roughly 3 months or less). No orders will be accepted on previous V-100 Supplied Air kits once inventory has been depleted.


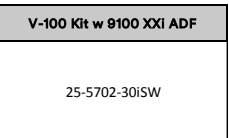
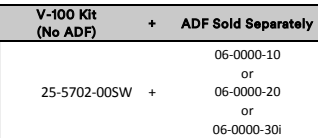

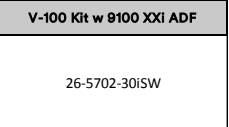
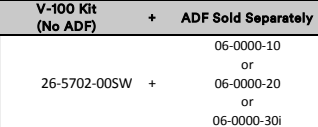

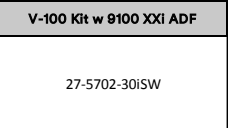
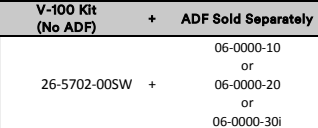
Example – Current vs. New 9100 FX-Air Supplied Air Kit

Current Assembly		New Assembly	
	→		
Traditional ADF, Cotton Belt, and Generic Holder		9100 XXi Natural Color Technology ADF, Rugged Leather Belt, Premium Holder with Adjustable Wearing Positions	Speedglas 9100 Series Headtops included in launch: 9100-Air 9100 FX-Air 9100 MP

This launch includes six new V-100 kits. Each headtop illustrated in the box above will be offered with two assemblies (with 9100 XXi ADF or ADF sold separately). See additional images as well as the suggested replacements chart below.

9100-Air	9100 FX-Air	9100 MP																											
																													
<table border="1" style="width: 100%; border-collapse: collapse;"> <thead> <tr> <th>Prod Nbr</th> <th>3M ID</th> <th>ADF</th> </tr> </thead> <tbody> <tr> <td>25-5702-00SW</td> <td>70071731189</td> <td>No ADF</td> </tr> <tr> <td>25-5702-30ISW</td> <td>70071688587</td> <td>9100 XXi</td> </tr> </tbody> </table>	Prod Nbr	3M ID	ADF	25-5702-00SW	70071731189	No ADF	25-5702-30ISW	70071688587	9100 XXi	<table border="1" style="width: 100%; border-collapse: collapse;"> <thead> <tr> <th>Prod Nbr</th> <th>3M ID</th> <th>ADF</th> </tr> </thead> <tbody> <tr> <td>26-5702-00SW</td> <td>70071670106</td> <td>No ADF</td> </tr> <tr> <td>26-5702-30ISW</td> <td>70071731106</td> <td>9100 XXi</td> </tr> </tbody> </table>	Prod Nbr	3M ID	ADF	26-5702-00SW	70071670106	No ADF	26-5702-30ISW	70071731106	9100 XXi	<table border="1" style="width: 100%; border-collapse: collapse;"> <thead> <tr> <th>Prod Nbr</th> <th>3M ID</th> <th>ADF</th> </tr> </thead> <tbody> <tr> <td>27-5702-00SW</td> <td>70071731437</td> <td>No ADF</td> </tr> <tr> <td>27-5702-30ISW</td> <td>70071731197</td> <td>9100 XXi</td> </tr> </tbody> </table>	Prod Nbr	3M ID	ADF	27-5702-00SW	70071731437	No ADF	27-5702-30ISW	70071731197	9100 XXi
Prod Nbr	3M ID	ADF																											
25-5702-00SW	70071731189	No ADF																											
25-5702-30ISW	70071688587	9100 XXi																											
Prod Nbr	3M ID	ADF																											
26-5702-00SW	70071670106	No ADF																											
26-5702-30ISW	70071731106	9100 XXi																											
Prod Nbr	3M ID	ADF																											
27-5702-00SW	70071731437	No ADF																											
27-5702-30ISW	70071731197	9100 XXi																											

Discontinued V-100 Kits & Suggested Replacement Parts:

Discontinued SKU's		Suggested SKU Replacement Options for Your Consideration (Kit with 9100 XXI ADF on left or with No ADF on right)			
 <p>9100-Air Supplied Air Kits with V-100 Vortex Air-Cooling Valve</p>	Prod Nbr	 <p>V-100 Kit w 9100 XXI ADF</p>	 <p>V-100 Kit (No ADF) + ADF Sold Separately</p>		
	25-5702-10SW			Or	
	25-5702-20SW				25-5702-00SW +
	25-5702-30SW				06-0000-10 or 06-0000-20 or 06-0000-30i
 <p>9100 FX-Air Supplied Air Kits with V-100 Vortex Air-Cooling Valve</p>	Prod Nbr	 <p>V-100 Kit w 9100 XXI ADF</p>	 <p>V-100 Kit (No ADF) + ADF Sold Separately</p>		
	26-5702-30SWHD			26-5702-00SW +	06-0000-10 or 06-0000-20 or 06-0000-30i
 <p>9100 MP Supplied Air Kits with V-100 Vortex Air-Cooling Valve</p>	Prod Nbr	 <p>V-100 Kit w 9100 XXI ADF</p>	 <p>V-100 Kit (No ADF) + ADF Sold Separately</p>		
	27-5702-00SWSR			Or	
	27-5702-10SW				26-5702-00SW +
	27-5702-20SW				06-0000-10 or 06-0000-20 or 06-0000-30i
27-5702-30SW					

Discontinued Welding Fresh-Air III Supplied Air System, w V-100 Vortex Air-Cooling Valve

Prod Nbr	3M ID	UPC	Product Description
25-5702-10SW	70071607603	00051131498273	3M™ Speedglas™ Fresh-Air III Supplied Air System w V-100 Vortex Air-Cooling Valve, 9100-Air Welding Helmet, SideWindows and ADF 9100V, 1 EA/Case
25-5702-20SW	70071607611	00051131498280	3M™ Speedglas™ Fresh-Air III Supplied Air System w V-100 Vortex Air-Cooling Valve, 9100-Air Welding Helmet, SideWindows and ADF 9100XV, 1 EA/Case
25-5702-30SW	70071607629	00051131498297	3M™ Speedglas™ Fresh-Air III Supplied Air System w V-100 Vortex Air-Cooling Valve, 9100-Air Welding Helmet, SideWindows and ADF 9100XX, 1 EA/Case
26-5702-30SWHD	70071617610	00051131499379	3M™ Speedglas™ Fresh-Air III Supplied Air System 26-5702-30SWHD, with V-100 Vortex Air-Cooling Valve, 9100 FX-Air Welding Helmet, SideWindows, Heavy Duty Breathing Tube, and ADF 9100XX, 1 EA/Case
27-5702-00SWSR	70071621737	00051141558271	3M™ Speedglas™ Fresh-Air III Supplied Air System w V-100SR Vortex Cooling Valve, 9100MP Welding Helmet, Schrader Fitting, Hard Hat, SideWindows, No ADF, 1 EA/Case
27-5702-10SW	70071621505	00051141558042	3M™ Speedglas™ Fresh-Air III Supplied Air System w V-100 Vortex Air-Cooling Valve, 9100 MP Welding Helmet, SideWindows and ADF 9100V, 1 EA/Case
27-5702-20SW	70071621513	00051141558059	3M™ Speedglas™ Fresh-Air III Supplied Air System w V-100 Vortex Air-Cooling Valve, 9100 MP Welding Helmet, SideWindows and ADF 9100XV, 1 EA/Case
27-5702-30SW	70071621521	00051141558066	3M™ Speedglas™ Fresh-Air III Supplied Air System w V-100 Vortex Air-Cooling Valve, 9100 MP Welding Helmet, SideWindows and ADF 9100XX, 1 EA/Case

Suggested Replacements for Your Consideration - Fresh-Air III Supplied Air System w V-100 Vortex Air-Cooling Valve

New Supplied Air Kits with V-100 Vortex Air-Cooling Valve

Prod Nbr	3M ID	UPC	Product Description
25-5702-00SW*	70071731189	00051131277830	3M™ Speedglas™ FA III SAR V-100 Valve and Speedglas™ Welding Helmet 9100-Air, 25-5702-00SW (No ADF), 1 EA/CS
25-5702-30iSW**	70071688587	00051141564777	3M™ Speedglas™ FA III SAR V-100 Valve and Speedglas™ Welding Helmet 9100-Air, 25-5702-30iSW, ADF 9100XXi, 1 EA/CS
26-5702-00SW**	70071670106	00051141563817	3M™ Speedglas™ FA III SAR V-100 and Speedglas™ Welding Helmet 9100 FX-Air, 26-5702-00SW (No ADF), 1 EA/CS
26-5702-30iSW*	70071731106	00051131277816	3M™ Speedglas™ FA III SAR V-100 and Speedglas™ Welding Helmet 9100 FX-Air, 26-5702-30iSW, ADF 9100XXi 1 EA/CS
27-5702-00SW*	70071731437	00051131278202	3M™ Speedglas™ FA III SAR V-100 Valve and Speedglas™ Welding Helmet 9100 MP, 27-5702-00SW (No ADF), 1 EA/CS
27-5702-30iSW*	70071731197	00051131277847	3M™ Speedglas™ FA III SAR V-100 Valve and Speedglas™ Welding Helmet 9100 MP, 27-5702-30iSW, ADF 9100XXi 1EA/CS

*New product launch

**Modifying existing product to incorporate Premium Holder and Durable Leather Belt

Suggested Auto Darkening Filters for You Consideration. Applicable for kits with no ADF ending with "00SW"

Prod Nbr	3M ID	UPC	Product Description
06-0000-10	70071510088	00051135893494	3M™ Speedglas™ 9100V Auto Darkening Filter, Shades 5, 8-13, 1 EA/Case
Or			
06-0000-20	70071510104	00051135893517	3M™ Speedglas™ 9100X Auto Darkening Filter, Shades 5, 8-13, 1 EA/Case
Or			
06-0000-30i	70071688546	00051141564739	3M™ Speedglas™ 9100XXi Auto Darkening Filter, Shades 5, 8-13, 1 EA/Case

Welding V-200 Heating Valve Kits:

Effective March 31, 2019 all 3M™ Versaflo™ Vortemp™ Welding Assemblies with V-200 Heating Valve will be discontinued. Once inventory is depleted (which we estimate to be roughly 3 months or less) following discontinuation, future V-200 welding solutions should be ordered individually rather than as fully assembled kits. Please see the chart below for suggested replacement options for your consideration.

Discontinued Welding Fresh-Air III Supplied Air Systems w V-200 Vortemp™ Kits

Prod Nbr	3M ID	UPC	Product Description
25-5802-10SW	70071607637	00051131498303	3M™ Speedglas™ Fresh-Air III Supplied Air System, w V-200 Vortemp™ Air-Heating Valve, 9100-Air Welding Helmet, SideWindows and ADF 9100V, 1 EA/Case
25-5802-20SW	70071607645	00051131498310	3M™ Speedglas™ Fresh-Air III Supplied Air System, w V-200 Vortemp™ Air-Heating Valve, 9100-Air Welding Helmet, SideWindows and ADF 9100X, 1 EA/Case
25-5802-30SW	70071607652	00051131498327	3M™ Speedglas™ Fresh-Air III Supplied Air System, w V-200 Vortemp™ Air-Heating Valve, 9100-Air Welding Helmet, SideWindows and ADF 9100XX, 1 EA/Case
26-5802-00SW	70071670114	00051141563824	3M™ Speedglas™ Fresh-Air III Supplied Air System, w V-200 Vortemp™ Air-Heating Valve, 9100 FX-Air Welding Helmet, SideWindows and No ADF, 1 EA/Case

Suggested Replacements for Your Consideration - Welding Fresh-Air III Supplied Air Systems w V-200 Vortemp™ Kits

Helmet Assembly Options for Consideration (No ADF)

Prod Nbr	3M ID	UPC	Product Description
25-0099-35SW	70071607660	00051131498334	3M™ Speedglas™ 9100-Air Welding Helmet, No ADF, 1 EA/Case
26-0099-35SW	70071668779	00051141564043	3M™ Speedglas™ 9100 FX-Air Welding Helmet, No ADF, 1 EA/Case
27-0099-35SW	70071621562	00051141558103	3M™ Speedglas™ 9100 MP Welding Helmet, No ADF, 1 EA/Case

+

Supplied Air Heating Valve Assembly for Consideration

Prod Nbr	3M ID	UPC	Product Description
V-200	70070799096	00051138661663	3M™ Versaflo™ Vortemp™ Heating Assembly V-200 1 EA/Case

+

Auto Darkening Filter Options for Consideration (Select one)

Prod Nbr	3M ID	UPC	Product Description
06-0000-10	70071510088	00051135893494	3M™ Speedglas™ 9100V Auto Darkening Filter, Shades 5, 8-13, 1 EA/Case

Or

06-0000-20	70071510104	00051135893517	3M™ Speedglas™ 9100X Auto Darkening Filter, Shades 5, 8-13, 1 EA/Case
------------	-------------	----------------	---

Or

06-0000-30i	70071688546	00051141564739	3M™ Speedglas™ 9100XXi Auto Darkening Filter, Shades 5, 8-13, 1 EA/Case
-------------	-------------	----------------	---

+

Breathing Tube Options for Consideration (Select one)

Prod Nbr	3M ID	UPC	Product Description
SG-30W	70071606852	00051131372689	3M™ Speedglas™ Self-Adjusting Breathing Tube, 1 EA/Case

Or

SG-40W	70071606860	00051131372696	3M™ Speedglas™ Heavy Duty Breathing Tube, 1 EA/Case
--------	-------------	----------------	---

Or

SG-50W	70071608155	00051131498990	3M™ Speedglas™ Sound-Dampening Breathing Tube, 1 EA/Case
--------	-------------	----------------	--

Welding V-300 Air Regulating Valve Kits:

Effective March 31, 2019 all 3M™ V-300 Air Regulating Valve Welding Kits will be discontinued. Once inventory is depleted (which we estimate to be roughly 3 months or less) following discontinuation, future V-300 welding solutions should be ordered individually rather than as fully assembled kits. Please see the chart below for suggested replacement options for consideration.

Discontinued Welding Fresh-Air III Supplied Air System w V-300 Air-Regulated Valve Kits

Prod Nbr	3M ID	UPC	Product Description
27-5902-10SW	70071621539	00051141558073	3M™ Speedglas™ Fresh-Air III Supplied Air System, w V-300 Air-Regulating Valve, 9100MP Welding Helmet, Hard Hat, SideWindows and ADF 9100V, 1 EA/Case
27-5902-20SW	70071621547	00051141558080	3M™ Speedglas™ Fresh-Air III Supplied Air System, w V-300 Air-Regulating Valve, 9100MP Welding Helmet, Hard Hat, SideWindows and ADF 9100X, 1 EA/Case
27-5902-30SW	70071621554	00051141558097	3M™ Speedglas™ Fresh-Air III Supplied Air System, w V-300 Air-Regulating Valve, 9100MP Welding Helmet, Hard Hat, SideWindows and ADF 9100XX, 1 EA/Case

**Suggested Replacements for Your Consideration - Welding Fresh-Air III Supplied Air System w V-300 Air-Regulated Valve Kits
Helmet Assembly Options for Consideration (No ADF)**

Prod Nbr	3M ID	UPC	Product Description
25-0099-35SW	70071607660	00051131498334	3M™ Speedglas™ 9100-Air Welding Helmet, No ADF, 1 EA/Case
26-0099-35SW	70071668779	00051141564043	3M™ Speedglas™ 9100 FX-Air Welding Helmet, No ADF, 1 EA/Case
27-0099-35SW	70071621562	00051141558103	3M™ Speedglas™ 9100 MP Welding Helmet, No ADF, 1 EA/Case

+

Supplied Air Regulating Valve Assembly for Consideration

Prod Nbr	3M ID	UPC	Product Description
V-300	70070799161	51131370197	3M™ Versaflo™ Air Regulating Valve Assembly, 1 EA/Case

+

Auto Darkening Filter Options for Consideration (Select one)

Prod Nbr	3M ID	UPC	Product Description
06-0000-10	70071510088	00051135893494	3M™ Speedglas™ 9100V Auto Darkening Filter, Shades 5, 8-13, 1 EA/Case

Or

06-0000-20	70071510104	00051135893517	3M™ Speedglas™ 9100X Auto Darkening Filter, Shades 5, 8-13, 1 EA/Case
------------	-------------	----------------	---

Or

06-0000-30i	70071688546	00051141564739	3M™ Speedglas™ 9100XXi Auto Darkening Filter, Shades 5, 8-13, 1 EA/Case
-------------	-------------	----------------	---

+

Breathing Tube Options for Consideration (Select one)

Prod Nbr	3M ID	UPC	Product Description
SG-30W	70071606852	00051131372689	3M™ Speedglas™ Self-Adjusting Breathing Tube, 1 EA/Case

Or

SG-40W	70071606860	00051131372696	3M™ Speedglas™ Heavy Duty Breathing Tube, 1 EA/Case
--------	-------------	----------------	---

Or

SG-50W	70071608155	00051131498990	3M™ Speedglas™ Sound-Dampening Breathing Tube, 1 EA/Case
--------	-------------	----------------	--

Welding Fresh-Air II Supplied Air Hoses:

Effective March 31, 2019 all 3M™ Fresh-Air II Supplied Air Breather Hoses will be discontinued. No orders will be accepted once inventory is depleted (which we estimate to be roughly 3 months or less). Following discontinuation, we would suggest you consider the Fresh-Air III Supplied Air Hoses shown below as well as the corresponding Fresh-Air III Supplied Air Valve Assemblies (V-100 Cooling, V-200 Heating, or V-300 Air Regulating).

Discontinued Welding Fresh-Air II Supplied Air Hoses

Prod Nbr	3M ID	UPC	Product Description
18-0099-40	70071271053	00051131928510	3M™ Speedglas™ Fresh-Air II Breather Hose with Couplings, 18-0099-40, 25 ft, 1 EA/Case
18-0099-41	70071271061	00051131928527	3M™ Speedglas™ Fresh-Air II Breather Hose with Couplings, 18-0099-41, 50 ft, 1 EA/Case
18-0099-42	70071271079	00051131928534	3M™ Speedglas™ Fresh-Air II Breather Hose with Couplings, 18-0099-42, 100 ft, 1 EA/Case

Suggested Replacements for Your Consideration - Welding Fresh-Air III Supplied Air Hoses

Standard Hose Options for Consideration

Prod Nbr	3M ID	UPC	Product Description
W-9435-25	78800756377	00051131070103	3M™ Supplied Air Respirator Hose W-9435-25, 25 ft, 3/8 in ID, Industrial Interchange Fittings, High Pressure 1 EA/Case
W-9435-50	78800756336	00051131070110	3M™ Supplied Air Respirator Hose W-9435-50, 50 ft, 3/8 in ID, Industrial Interchange Fittings, High Pressure 1 EA/Case
W-9435-100	78800857571	00051131070127	3M™ Supplied Air Respirator Hose W-9435-100, 100 ft, 3/8 in ID, Industrial Interchange Fittings, High Pressure 1 EA/Case

Or

Coiled Hose Options for Consideration

Prod Nbr	3M ID	UPC	Product Description
W-2929-25	78806986283	0005113816207	3M™ Supplied Air Hose W-2929-25, 25 ft, 3/8 in ID, Industrial Interchange Fittings, High Pressure, Coiled 1 EA/Case
W-2929-50	78806986291	005113816209	3M™ Supplied Air Hose W-2929-50, 50 ft, 3/8 in ID, Industrial Interchange Fittings, High Pressure, Coiled 1 EA/Case
W-2929-100	78806986309	0005113816210	3M™ Supplied Air Hose W-2929-100, 100 ft, 3/8 in ID, Industrial Interchange Fittings, High Pressure, Coiled 1 EA/Case

Important Announcement Links:

Supplied Air Product Announcement Data Package:

<https://multimedia.3m.com/mws/media/1649181O/speedglas-sar-data-package.xlsx>

3M™ Speedglas™ Welding P&SA Solutions Sales Guide:

<https://multimedia.3m.com/mws/media/1230358O/speedglas-psa-welding-solutions.pdf>

3M strives to provide the highest quality of welding safety products in the marketplace, and we regret any inconvenience these updates may cause. If you have any questions regarding this product announcement, please contact the writer.

Sincerely,



Thomas Reinholt | Marketing Manager - Welding
3M Personal Safety Division

3M Center, 235-02-W-70 | St. Paul, MN 55144-1000 | United States
tjreinholt@mmm.com