



Fall Protection

Technical Data Sheet

8000099 (Galvanised steel)

8000100 (Stainless steel)

3M™ DBI-SALA® Deck Mount Base High Capacity.

Part Number(s): 8000099 (Galvanised steel)

8000100 (Stainless steel)

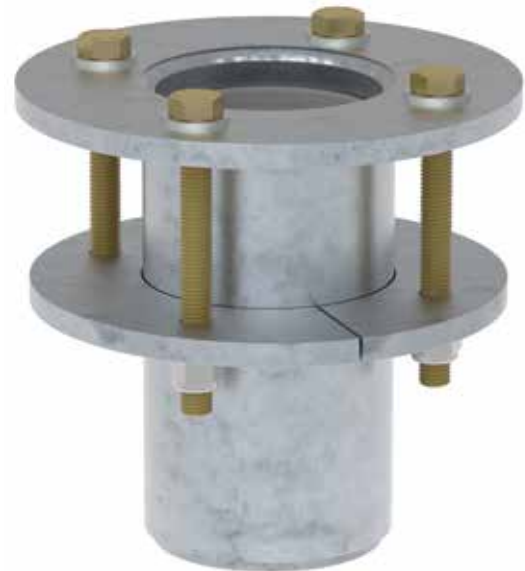
Product Type: Fixed Base For High Capacity Davit Arm

Description

Sub-brand:	DBI-SALA®
Industry:	Various confined space
Applications:	<ul style="list-style-type: none"> • Fall arrest • Rescue • Access

Features

Base Material:	<ul style="list-style-type: none"> • 8000099 - Galvanised steel (75 µm minimum - ISO 1461) • 8000100 - Stainless steel 304
Liner Material:	High density polyethylene, fixed with silicone
Weight Capacity*:	340 kg (for load lifting)
Net Weight:	<ul style="list-style-type: none"> • 8000099 - 14.60 kg • 8000100 - 14.50 kg
Operating Temperature:	-40°C to +60°C
Mast Rotation:	360°
Standards (when used with davit arm):	<ul style="list-style-type: none"> • CE EN795:2012 Type A • EN1496:2006 Class B • CEN/TS16415:2013 Type B • AS/NZS 5532:2013
Mast Compatibility*:	<ul style="list-style-type: none"> • Compatible with 3M™ DBI-SALA® Davit Mast Extensions, High Capacity (10.1 cm / 4" diameter): 8000112, 8000113, 8000114, 8000115. • Not compatible with any other non 3M™ davit mast extension or non 3M™ adaptor.



Model Shown: 8000099

See page 2 for dimensions

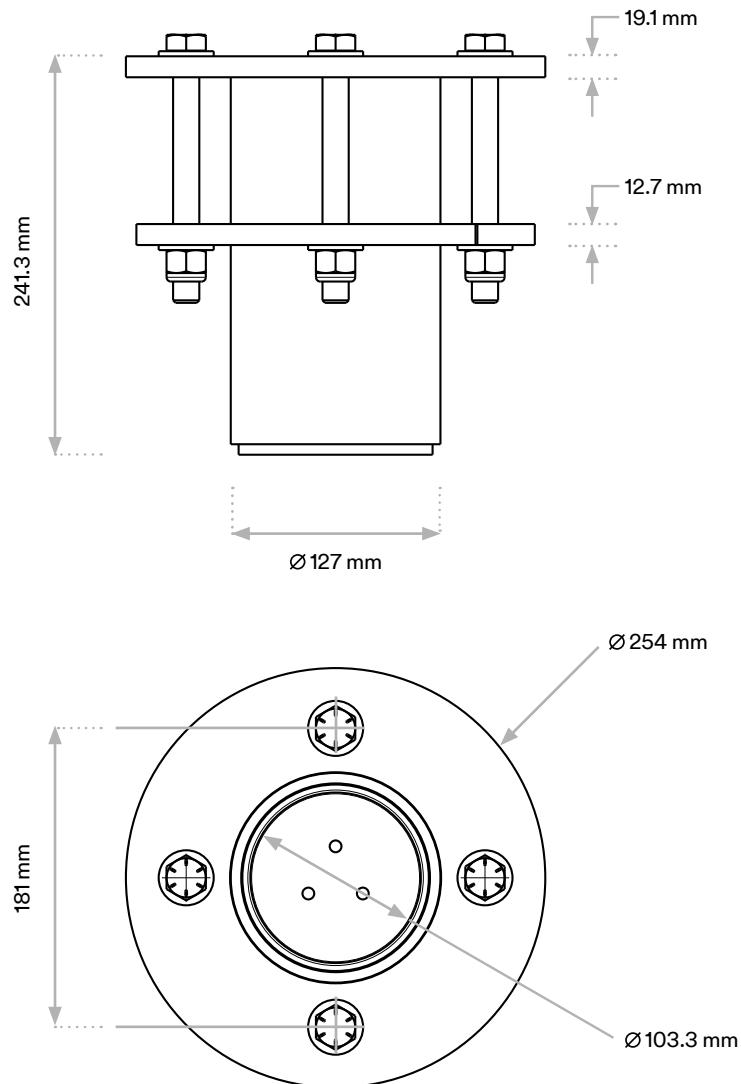
Installation requirements

Structure:	Horizontal duckboard or metallic plates
Fixing to the Structure:	<ul style="list-style-type: none"> • Designed to slip into a 5.06" (128.5 mm) hole in existing steel structure flooring. Comes with the necessary hardware to mount to structures with a maximum thickness of 3.50" (89 mm).
Resistance Required*:	<ul style="list-style-type: none"> • Structure must be capable of withstanding a 15 412 N.m (136 400 lb.in) moment and a 13.79 kN (3 100 lb) vertical load.
Installation:	<ul style="list-style-type: none"> • Structure resistance validation and installation execution must be performed by competent person(s).

*See Instructions For Use (IFU)

Version: 1

This version is the sole document applicable to the product(s) since its date of publication



Important Notice

The mounting and use of the product described within this document assumes that the user has previous experience of this type of product and that it will be assembled by a competent professional according to product documentation. Before any use of this product it is recommended to complete some trials to validate the performance of the product within its expected application.

All information and specification details contained within this document are inherent to this specific 3M product and would not be applied to other products or environment. Any action or usage of this product made in violation of this document is at the risk of the user.

Compliance to the information and specification relative to the product contained within this document does not exempt the user from compliance with additional guidelines (safety rules, procedures). Compliance to operational requirements especially in respect to the environment and usage of tools with this product must be observed. The 3M Group (who cannot verify or control these elements) would not be held responsible for the consequences of any violation of these rules which remain external to its decision and control.

Warranty conditions for products are determined with the sales contract documents and with the mandatory and applicable law, excluding any other warranty or compensation.

3M Fall Protection

Capital Safety (Northern Europe) Limited
3M Centre, Cain Road
Bracknell, Berkshire, RG12 8HT, UK

Capital Safety Group (EMEA)
Le Broc Center, Bâtiment A, Z.1. 1re Avenue – BP15
06511 Carros Le Broc, Cedex, FRANCE

Phone 00 800 999 55500 Email informationfallprotection@mmm.com Web 3M.com/FallProtection

3M, DBI-SALA, belongs to 3M Company and its affiliates.



Fall Protection