

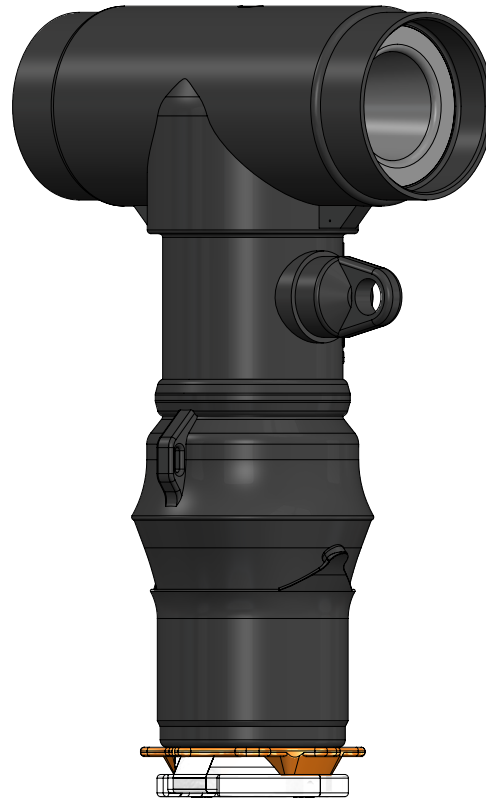
15/25/28 kV Cold Shrink Hammerhead

Product Data Sheet

The Richards 15/25/28 kV Cold Shrink Hammerhead is an innovative Deadbreak Elbow design that eliminates the need for several components and simplifies the installation process. This range-taking design obsoletes the need for a Cable Adapter and features an Integral Jacket Seal.

The CSH Series is molded in the USA from EPDM compounds produced in-house by our polymer production division. The Deadbreak "T-body" is fully-shielded, submersible and available with or without a capacitive test point.

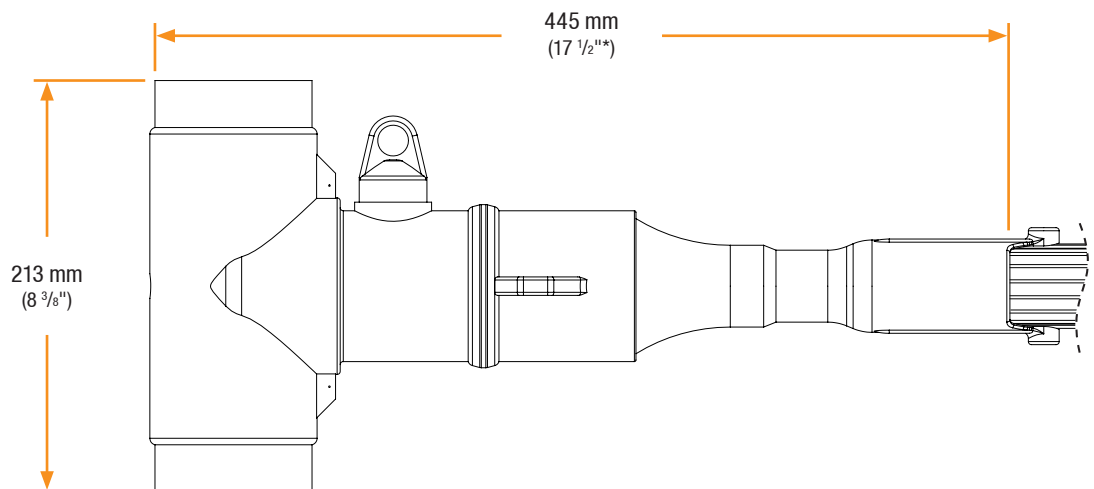
A variety of accessories are available for insulating, testing, grounding and paralleling circuits. The current-rating of the Deadbreak Elbow housing is determined by the metallic components utilized to make the connection. If all-copper components are used, the Deadbreak Elbow assembly has a 900 A rating. Otherwise, the assembly is rated for 600 A.



Features

- All-in-one solution
- Range taking
- 100% EPDM composition
- Injection molded & peroxide-cured
- Designed, molded, and tested in the USA
- Fully-shielded/deadfront
- Optional capacitive test point

Basic dimensions - Installed on cable



*Approximate length – varies by cable size.

15/25/28 kV Cold Shrink Hammerhead

Installation

15/25/28 kV Cold Shrink Hammerhead installation is covered by:
RP-II-92CSH

Related Products

P625HIP-STUD

15/25/28 kV Aluminum Threaded Stud

P925HIP-STUD

15/25/28 kV Copper Threaded Stud

P6AL-X

Aluminum Compression Lug

P9CU-X

Copper Compression Lug

P6ALR-X

Aluminum Range-Taking Lug

P7ALCU-X

Copper-Top Compression Lug

P625HIP

15/25/28 kV Aluminum Insulating Plug

P925HIP

15/25/28 kV Copper Insulating Plug

P615ETP

15 kV Loadbreak Elbow Tap Plug

P625ETP

25 kV Loadbreak Elbow Tap Plug

Production Testing

IEEE requires a Partial Discharge test and choice between AC withstand and Impulse.

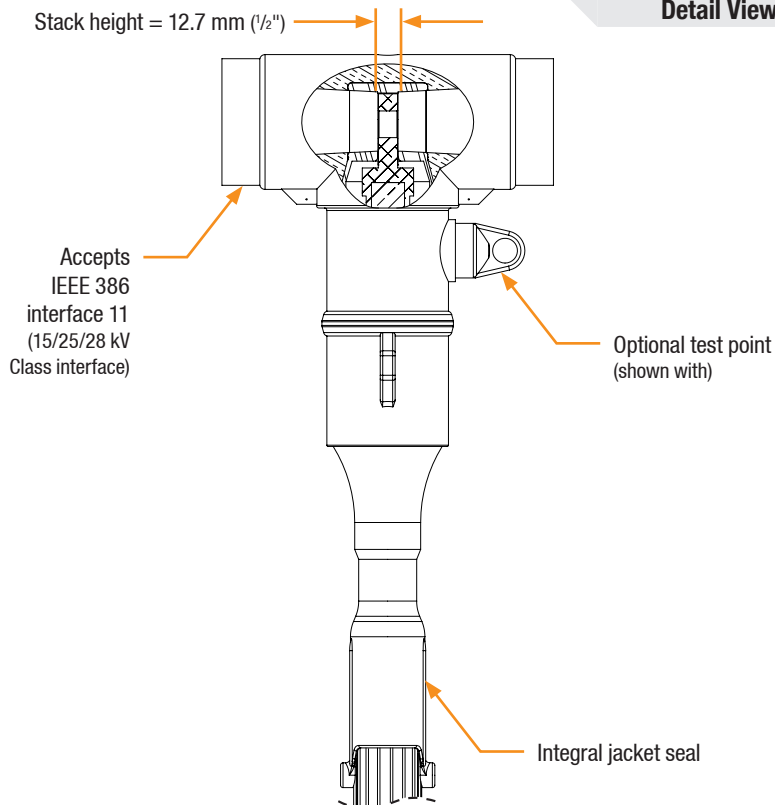
Richards runs 3/3 tests on **all** Medium Voltage products governed by IEEE 386.[®]

100% Routine Electrical Test:

- Partial Discharge
- AC Withstand
- Impulse Withstand

[®] Exceeds IEEE 386 requirement

Detail View



Product Ratings

Voltage Ratings

Maximum Voltage Rating – (phase to ground)	16.2 kV
Corona Voltage Level – (partial discharge extinction voltage)	30 kV [®]
AC Withstand – (1 minute)	45 kV
Impulse-Withstand Voltage – (BIL)	162 kV BIL [®]

Continuous Current Ratings

Aluminum	600A
Copper	900A

Short-Time Current Ratings

Aluminum	40 kA, 10c. and 10 kA, 3s. [®]
Copper	40 kA, 10c. and 10 kA, 3s.

The 15/25/28 kV Class CSH is qualified to the following industry standards:

- IEEE Std 386: For Separable Insulated Connector Systems
- ANSI C119.4: For Electric Connectors
- IEEE Std 592: For Exposed Semi-conducting Shields

3M

3M Electrical Markets Division
3M Canada
P.O. Box 5757
London, Ontario
N6A 4T1

3M Electrical Markets Division is an authorized dealer for

Richards
MANUFACTURING CO.