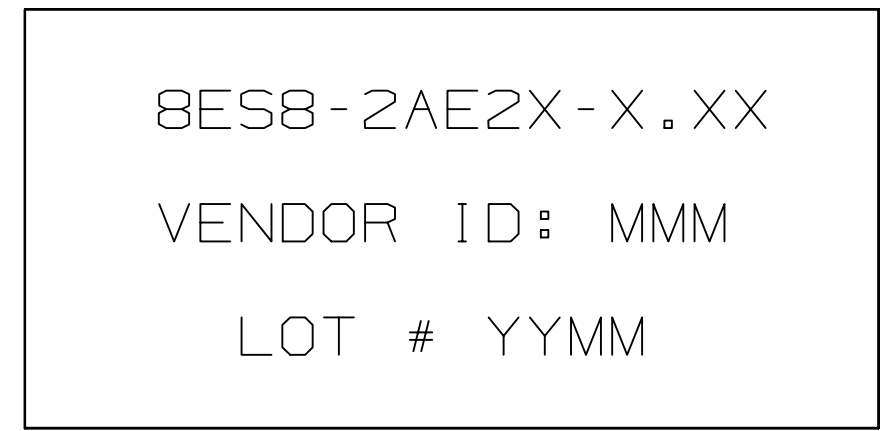


NOTES :

- REGULATORY INFORMATION:
VISIT 3M.com/regs OR CONTACT
YOUR 3M REPRESENTATIVE TO FIND
THE RoHS COMPLIANCE STATUS OF
THE 3M PART YOU ARE INTERESTED IN.
- PADDLECARD PLATING:
30μ" MIN. GOLD PLATING
50μ" MIN. NICKEL UNDERPLATING.
P/N: 78-9102-3742-5
- 3M™ SLIMLINE TWIN AXIAL CABLE PLUG
DIMENSIONS ARE DESIGNED TO SFF-8654.
- PRODUCT SPECIFICATION: 78-5102-0279-5
- TWO RIBBONS OF 3M™ RIBBON TWIN
AXIAL CABLE.
SL8801/26-2EBS5-00 - 8 PAIR
31AWG, 2 x 5SB,VW1, GND TUCKED-IN.
- THIS CABLE CONSTRUCTION HAS A
THIN ALUMINUM LAYER AT EACH EDGE.
USER SHOULD EVALUATE ITS USE IN
THEIR APPLICATION AND, IF
NECESSARY, INSULATING TAPE MAY BE
APPLIED TO COVER THE ALUMINUM
LAYER, AS USER DEEMS APPROPRIATE.
- UNLESS OTHERWISE NOTED,
REFERENCE TO INDUSTRY SPECIFICATIONS
ARE INTENDED TO INDICATE SUBSTANTIAL
COMPLIANCE TO MATERIAL ELEMENTS OF
THE SPECIFICATION, SUCH REFERENCES
SHOULD NOT BE CONSTRUED AS A GUARANTEE
OF COMPLIANCE TO ALL REQUIREMENTS IN A
GIVEN SPECIFICATION.
- CLOTH TAPE WRAPPED AROUND CABLE
RIBBONS AT BACK OF EACH CONNECTOR.
ALSO, UP TO TWO ADDITIONAL TAPE
PIECES WILL BE WRAPPED AROUND THE
TWO CABLE RIBBONS SPACED EQUIDISTANT
FROM THE CONNECTOR ENDS AND EACH
OTHER, DEPENDING ON ASSY LENGTH (L):
L <= 0.2M: NO ADDITIONAL TAPE
0.2M < L <= 0.6M: 1 TAPE WRAP
0.6M < L <= 1.0M: 2 TAPE WRAP
- LENGTH TOLERANCE:
±10MM FOR LENGTH <= 0.5 METERS
±15MM FOR LENGTH > 0.5 METERS

PINOUT

P1	P2	P1	P2
A1	GND	B1	B1
A2	SB0+	B2	B2
A3	SB0-	B3	B3
A4	GND	B4	B4
A5	SB1+	B5	B5
A6	SB1-	B6	B6
A7	GND	B7	B7
A8	SIDE BAND	B8	B8
A9	SIDE BAND	B9	B9
A10	SIDE BAND	B10	B10
A11	SIDE BAND	B11	B11
A12	SIDE BAND	B12	B12
A13	GND	B13	B13
A14	SB2+	B14	B14
A15	SB2-	B15	B15
A16	GND	B16	B16
A17	SB3+	B17	B17
A18	SB3-	B18	B18
A19	GND	B19	B19
A20	SB4+	B20	B20
A21	SB4-	B21	B21
A22	GND	B22	B22
A23	SB5+	B23	B23
A24	SB5-	B24	B24
A25	GND	B25	B25
A26	SIDE BAND	B26	B26
A27	SIDE BAND	B27	B27
A28	SIDE BAND	B28	B28
A29	SIDE BAND	B29	B29
A30	SIDE BAND	B30	B30
A31	GND	B31	B31
A32	SB6+	B32	B32
A33	SB6-	B33	B33
A34	GND	B34	B34
A35	SB7+	B35	B35
A36	SB7-	B36	B36
A37	GND	B37	B37



LABEL INFORMATION

3M PART NUMBER : 8ES8-2AE2X-X.XX

LENGTH IN METERS 0.125 TO 0.75

- 1 - ST-ST Plug Assembly.
- 2 - RA-ST Plug Assembly.
- 3 - RA-RA Plug Assembly.

ITEM	SPECIFICATION	QUANTITY
4	PART NUMBER LABEL	1X
3	ACETATE TAPE	AS REQUIRED
2	TWIN AX CABLE , REFER TO NOTES	AS PER LENGTH
1	SLIMLINE PLUG STRAIGHT OR RIGHT ANGLE	2X

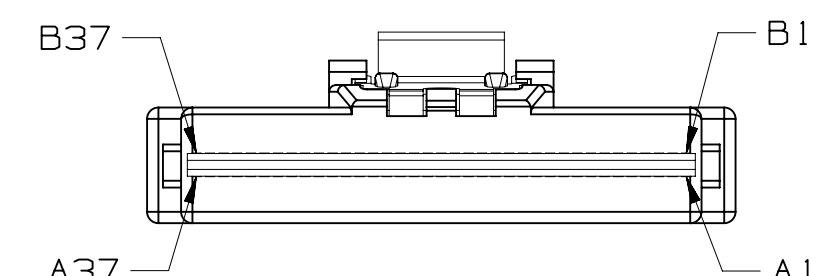
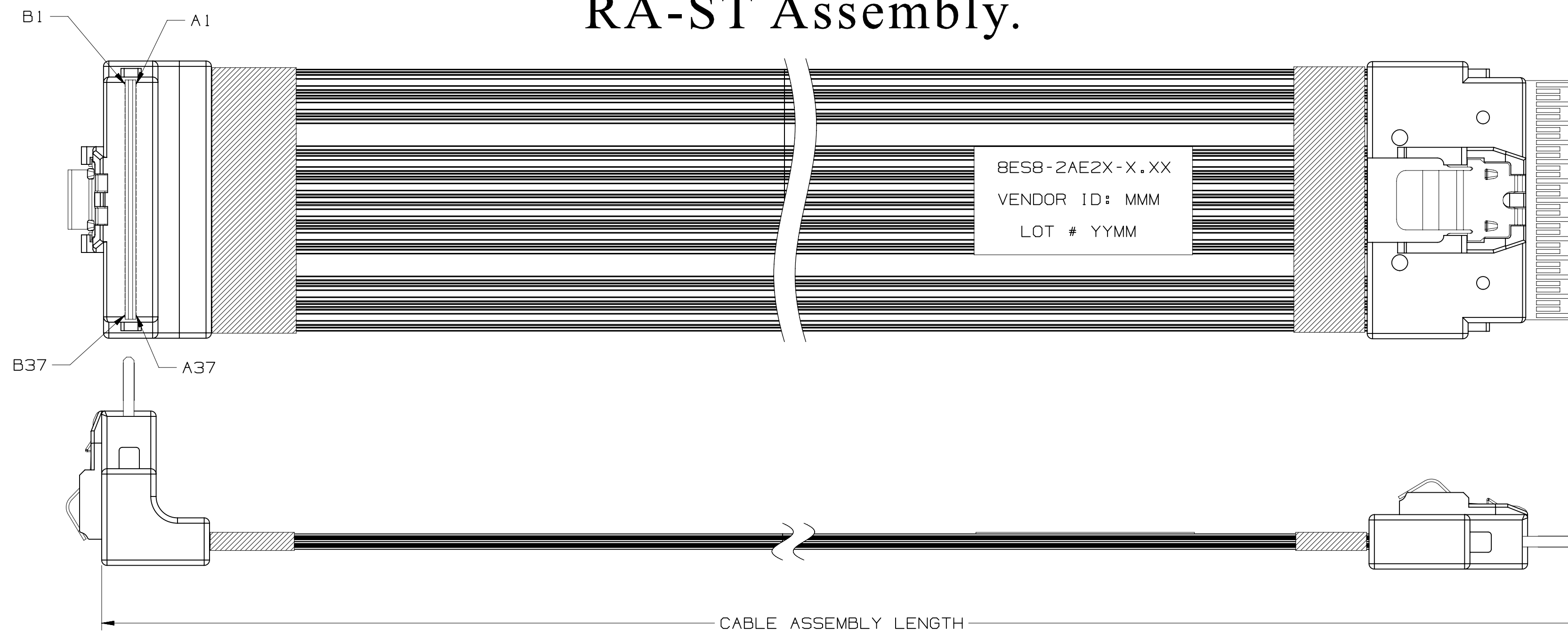
DESIGN REFERENCE	NEXT ASSEMBLY	REV	ECO	ISSUE DATE AND DESCRIPTION	DRFT	CHKD
US882	US830a	Vincent Tan		MAY 4, 2018 Liu JG		MAY 4, 2018
DIVISION		APPROV		DATE		
		Vincent Tan		MAY 4, 2018 Saujit Bandhu		
DO NOT SCALE DRAWING		SCALE		TOLERANCES EXCEPT AS NOTED		
THIRD ANGLE PROJECTION		INCHES		MILLIMETERS		
INTERPRET PER ASME Y14.5 - 2009		0 ± .1		0 ± .05		
MAX SURFACE ROUGHNESS		.00 ± .005		.00 ± .005		
125		ALL SURFACES		MARKED ONLY		
		ANGLES ± 1°				
CAGE NUMBER		SIZE		DRAWING NO.		REV.
D 125		D		78-5100-2673-1		B
MODEL		SHT		1 OF 2		

3M CUSTOMER DRAWING
SLIMLINE TWINAX CABLE
ASSY, 100 OHM, X8

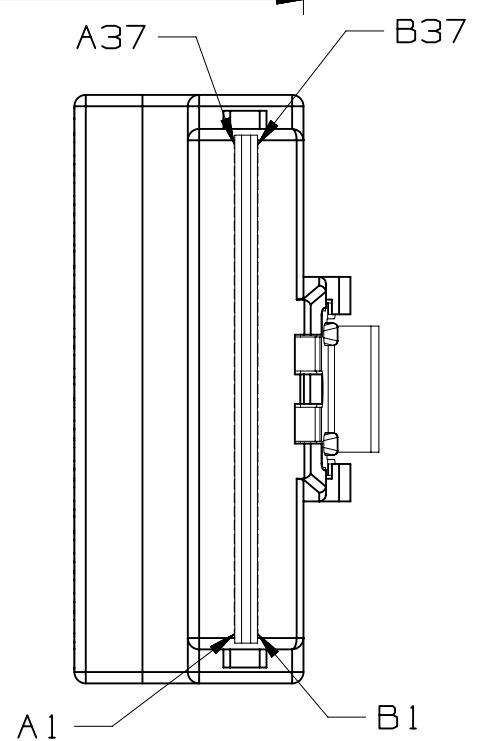
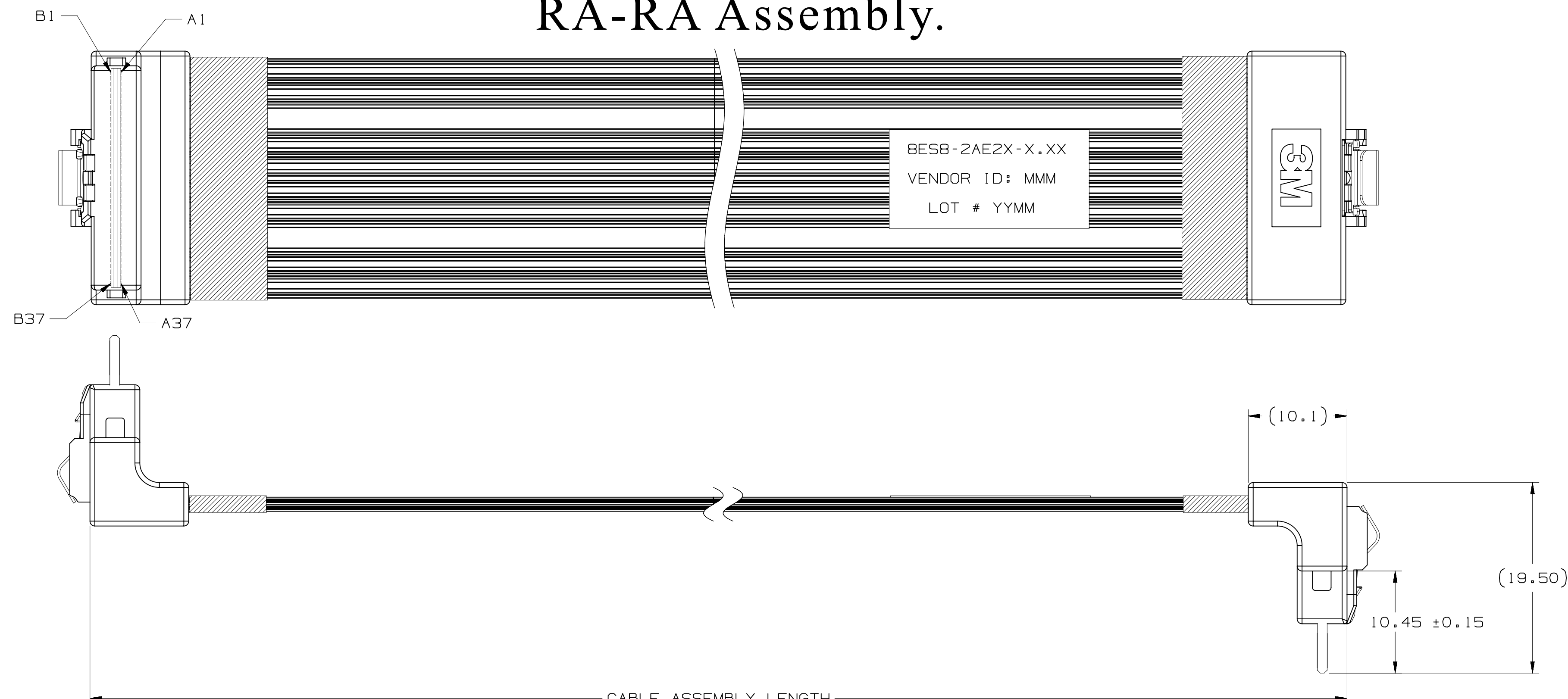
78-5100-2673-1
DRAWING NUMBER

A

RA-ST Assembly.



RA-RA Assembly.



Technical Information: The technical information, recommendations and other statements contained in this document are based upon tests or experience that 3M believes are reliable, but the accuracy or completeness of such information is not guaranteed.

Product Use: Many factors beyond 3M's control and uniquely within user's knowledge and control can affect the use and performance of a 3M product in a particular application. Given the variety of factors that can affect the use and performance of a 3M product, user is solely responsible for evaluating the 3M product and determining whether it is fit for a particular purpose and suitable for user's method of application.

Warranty, Limited Remedy, and Disclaimer: Unless an additional warranty is specifically stated on the applicable 3M product packaging or product literature, 3M warrants that each 3M product meets the applicable 3M product specification at the time 3M ships the product. 3M MAKES NO OTHER WARRANTIES OR CONDITIONS, EXPRESS OR IMPLIED, INCLUDING, BUT NOT LIMITED TO, ANY IMPLIED WARRANTY OR CONDITION OF MERCHANTABILITY OR FITNESS FOR A PARTICULAR PURPOSE OR ANY IMPLIED WARRANTY OR CONDITION ARISING OUT OF A COURSE OF DEALING, CUSTOM OR USAGE OF TRADE. If the 3M product does not conform to this warranty, then the sole and exclusive remedy is, at 3M's option, replacement of the 3M product or refund of the purchase price.

Limitation of Liability: Except where prohibited by law, 3M will not be liable for any loss or damage arising from the 3M product, whether direct, indirect, special, incidental or consequential, regardless of the legal theory asserted, including warranty, contract, negligence or strict liability.

B	81149	JAN 14, 2019	VT	VT
A	80465	MAY 4, 2018	VT	VT
REV	ECO	ISSUE DATE AND DESCRIPTION	DRFT	CHKD
Vincent Tan		MAY 4, 2018 Liu JG		MAY 4, 2018
Vincent Tan		MAY 4, 2018 Saujit Bandhu		MAY 4, 2018

DESIGN REFERENCE	NEXT ASSEMBLY
ACCESS CODES	US882 SB8300
DIVISION	DIVISION CODE
DO NOT SCALE DRAWING	SCALE
THIRD ANGLE PROJECTION	TOLERANCES EXCEPT AS NOTED
INTERPRET PER ASME Y14.5 - 2009	TOLERANCES IN INCHES
MAX SURFACE ROUGHNESS 125	TOLERANCES IN MILLIMETERS
ALL SURFACES MARKED ONLY	ANGLES ± 1°

		© 3M COPYRIGHT 2019 This document and the information it contains are 3M property and may not be reproduced or further distributed without 3M permission, or used or disclosed other than for 3M authorized purposes. All rights reserved.	
TITLE CUSTOMER DRAWING SLIMLINE TWINAX CABLE ASSY, 100 OHM, X8			
CAGE NUMBER	SIZE	DRAWING NO.	REV.
D		78-5100-2673-1	B
MODEL	DET. <input type="checkbox"/> YES <input checked="" type="checkbox"/> NO <input type="checkbox"/> SHT 2 OF 2		