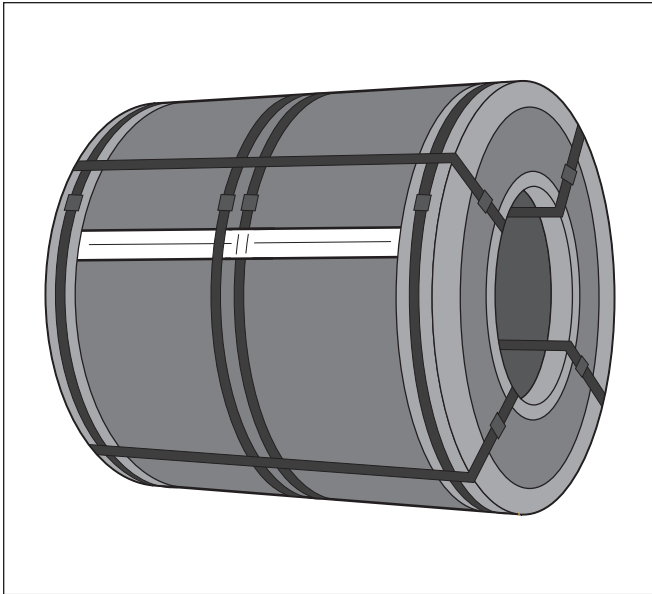




Application Profile

Market	Metal producers and Metal processors
Application Description	Temporary edge protection of the coils or metal sheets.



Key Application Requirements

Cut resistance and higher shear strength required to protect workers from sharp edges and assist with fabrication and processing.

Benefits/Advantages to Customer

Safety and security: High shear, tensile and adhesion strengths allow you to confidently apply the tape and run at higher speeds.

Impact resistance: Cut resistance.

Oily surfaces: The MSR family of products adheres well to oily surfaces.

Product

- Scotch® Filament Tape 880MSR



Process

Tape can be applied by hand or dispenser. Tape is also compatible for automated dispensers.

SIC Code

33: Primary metal industries

34: Fabricated metal products

5051: Metal service centers

Key Decision Makers

Process/Production engineer

Production manager

Note: 3M suggests evaluating the Scotch® Tape on the specific surface to determine suitable performance in the application.

Technical Information: The technical information, guidance, and other statements contained in this document or otherwise provided by 3M are based upon records, tests, or experience that 3M believes to be reliable, but the accuracy, completeness, and representative nature of such information is not guaranteed. Such information is intended for people with knowledge and technical skills sufficient to assess and apply their own informed judgment to the information. No license under any 3M or third party intellectual property rights is granted or implied with this information.

Product Selection and Use: Many factors beyond 3M's control and uniquely within user's knowledge and control can affect the use and performance of a 3M product in a particular application. As a result, customer is solely responsible for evaluating the product and determining whether it is appropriate and suitable for customer's application, including conducting a workplace hazard assessment and reviewing all applicable regulations and standards (e.g., OSHA, ANSI, etc.). Failure to properly evaluate, select, and use a 3M product and appropriate safety products, or to meet all applicable safety regulations, may result in injury, sickness, death, and/or harm to property.

Warranty, Limited Remedy, and Disclaimer: Unless a different warranty is specifically stated on the applicable 3M product packaging or product literature (in which case such warranty governs), 3M warrants that each 3M product meets the applicable 3M product specification at the time 3M ships the product. 3M MAKES NO OTHER WARRANTIES OR CONDITIONS, EXPRESS OR IMPLIED, INCLUDING, BUT NOT LIMITED TO, ANY IMPLIED WARRANTY OR CONDITION OF MERCHANTABILITY, FITNESS FOR A PARTICULAR PURPOSE, OR ARISING OUT OF A COURSE OF DEALING, CUSTOM, OR USAGE OF TRADE. If a 3M product does not conform to this warranty, then the sole and exclusive remedy is, at 3M's option, replacement of the 3M product or refund of the purchase price.

Limitation of Liability: Except for the limited remedy stated above, and except to the extent prohibited by law, 3M will not be liable for any loss or damage arising from or related to the 3M product, whether direct, indirect, special, incidental, or consequential (including, but not limited to, lost profits or business opportunity), regardless of the legal or equitable theory asserted, including, but not limited to, warranty, contract, negligence, or strict liability.



3M Industrial Adhesives and Tapes Division
3M Center, Building 225-3S-06
St. Paul, MN 55144-100

Phone 1-800-362-3550
Fax 1-877-369-2923
Web 3M.com/IATD

For Additional Information:

Please contact 3M at 3M.com/IATD or call
1-800-362-3550 (877-369-2923 (Fax)).

Scotch is a registered trademark of 3M Company. 3M and the Plaid Design are trademarks of 3M. Please recycle. © 3M 2018. All rights reserved.