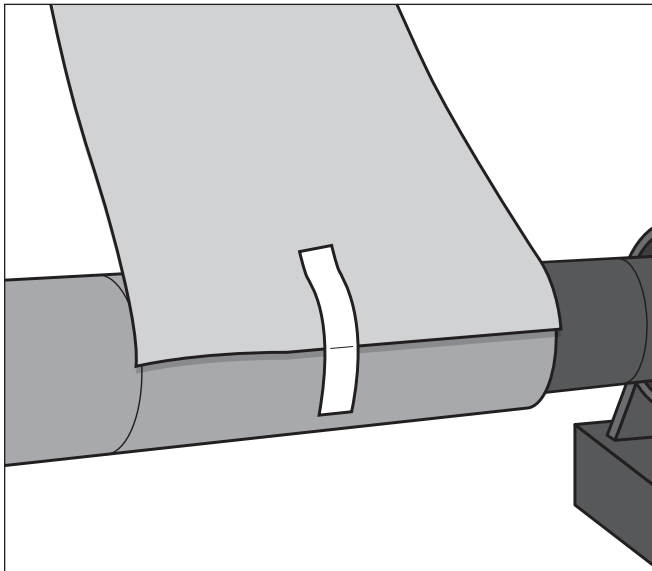




Application Profile

Market	Metal producers and Metal processors
Application Description	Holds the start of the metal coil to the core which could be paper, plastic, and/or metal.



Key Application Requirements

Tape provides strong holding power. High initial adhesion to fiberboard, plastic and metal cores speeds up the attachment process.

Tape helps to keep the metal straight and secure to prevent metal from buckling at higher speeds and prevent core from slipping.

Benefits/Advantages to Customer

Safety and security: High shear, tensile and adhesion strengths allow you to confidently apply the tape and to run at higher speeds to wind the coil securely.

Production speed: Easily apply tape and quickly get up to production speed.

Waste reduction/Increased productivity: Tape does not damage the substrate and reduces the amount of scrap.

Oily surfaces: The MSR family of products adheres well to oily surfaces.

Easy to handle: Conformable backing allows for easy handling.

Clean removal: The pressure-sensitive adhesive of 8899HP is specifically formulated to provide balanced adhesion, clean removal, and stain resistance on metal surfaces.

Go-to Product

Scotch® Filament Tape 898MSR

- **Higher Cut Resistance:**
Scotch® Filament Tape 880MSR
- **Light Duty/Clean Removal:**
Scotch® Clean Removal Strapping
Tape 8899HP



Process

Tape can be applied by hand or dispenser. Tape is also compatible for automated dispensers which optimizes the amount of tape usage.

SIC Code

33: Primary metal industries

34: Fabricated metal products

5051: Metal service centers

Key Decision Makers

Process/Production engineer

Production manager

Note: 3M suggests evaluating the Scotch® Tape on the specific surface to determine suitable performance in the application.

Technical Information: The technical information, guidance, and other statements contained in this document or otherwise provided by 3M are based upon records, tests, or experience that 3M believes to be reliable, but the accuracy, completeness, and representative nature of such information is not guaranteed. Such information is intended for people with knowledge and technical skills sufficient to assess and apply their own informed judgment to the information. No license under any 3M or third party intellectual property rights is granted or implied with this information.

Product Selection and Use: Many factors beyond 3M's control and uniquely within user's knowledge and control can affect the use and performance of a 3M product in a particular application. As a result, customer is solely responsible for evaluating the product and determining whether it is appropriate and suitable for customer's application, including conducting a workplace hazard assessment and reviewing all applicable regulations and standards (e.g., OSHA, ANSI, etc.). Failure to properly evaluate, select, and use a 3M product and appropriate safety products, or to meet all applicable safety regulations, may result in injury, sickness, death, and/or harm to property.

Warranty, Limited Remedy, and Disclaimer: Unless a different warranty is specifically stated on the applicable 3M product packaging or product literature (in which case such warranty governs), 3M warrants that each 3M product meets the applicable 3M product specification at the time 3M ships the product. 3M MAKES NO OTHER WARRANTIES OR CONDITIONS, EXPRESS OR IMPLIED, INCLUDING, BUT NOT LIMITED TO, ANY IMPLIED WARRANTY OR CONDITION OF MERCHANTABILITY, FITNESS FOR A PARTICULAR PURPOSE, OR ARISING OUT OF A COURSE OF DEALING, CUSTOM, OR USAGE OF TRADE. If a 3M product does not conform to this warranty, then the sole and exclusive remedy is, at 3M's option, replacement of the 3M product or refund of the purchase price.

Limitation of Liability: Except for the limited remedy stated above, and except to the extent prohibited by law, 3M will not be liable for any loss or damage arising from or related to the 3M product, whether direct, indirect, special, incidental, or consequential (including, but not limited to, lost profits or business opportunity), regardless of the legal or equitable theory asserted, including, but not limited to, warranty, contract, negligence, or strict liability.



3M Industrial Adhesives and Tapes Division
3M Center, Building 225-3S-06
St. Paul, MN 55144-100

Phone 1-800-362-3550
Fax 1-877-369-2923
Web 3M.com/IATD

For Additional Information:

Please contact 3M at [3M.com/IATD](https://www.3m.com/IATD) or call
1-800-362-3550 (877-369-2923 (Fax)).

Scotch is a registered trademark of 3M Company. 3M and the Plaid Design are trademarks of 3M. Please recycle. © 3M 2020. All rights reserved.