



CSA Z259.2.2-17 Class SRL-LE

CSA Z259.2.2-17 Class SRL

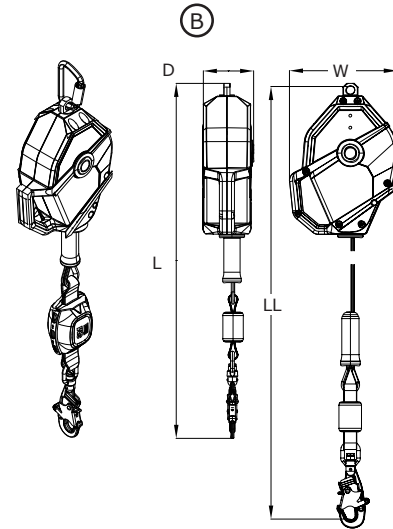
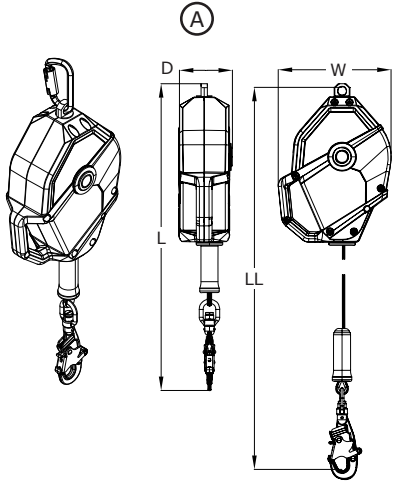


# Smart Lock SELF-RETRACTING DEVICES

## INSTRUCTION MANUAL

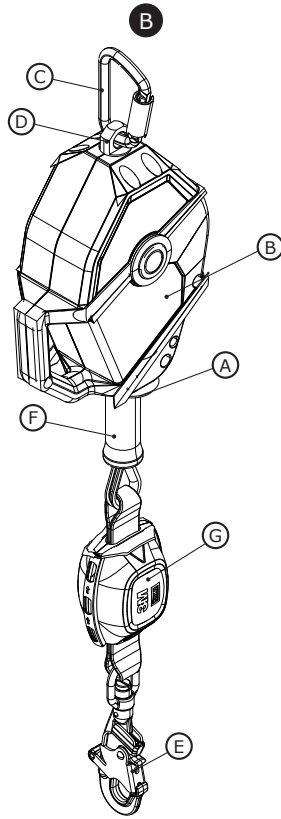
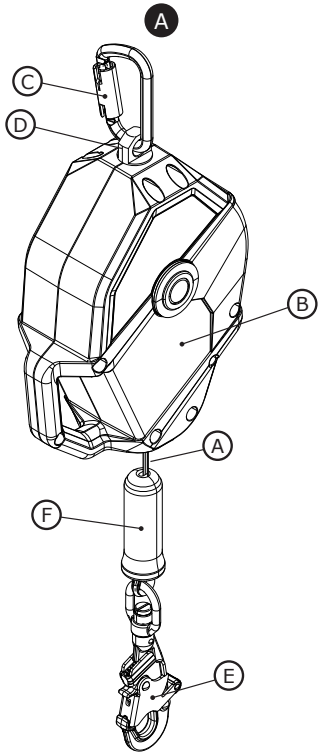
### Fall Protection

#### 1

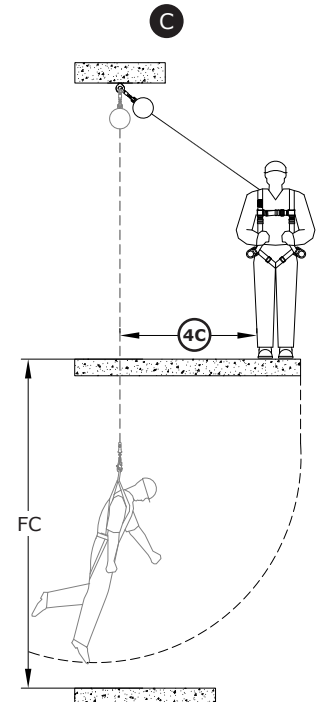
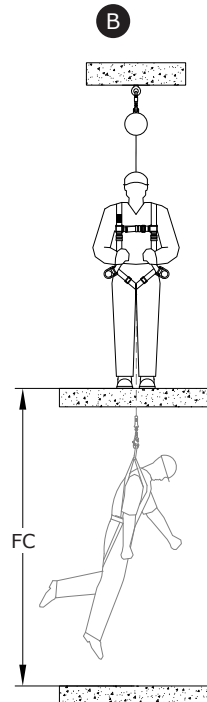
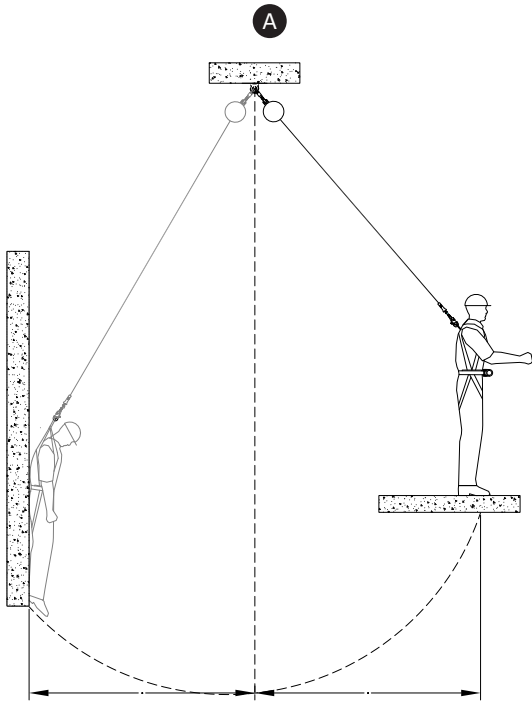


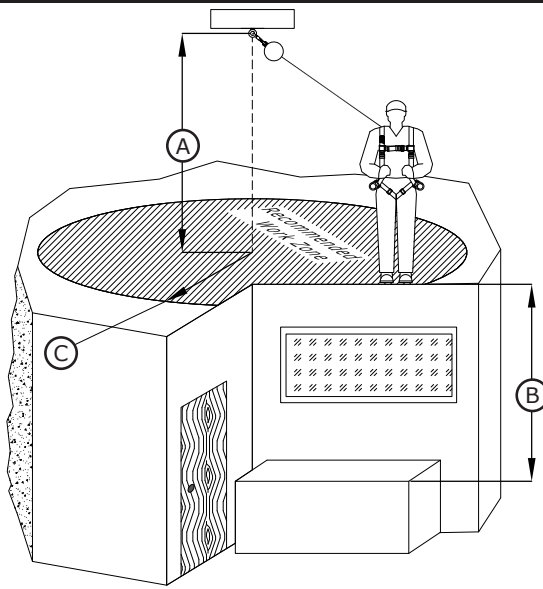
	Smart Lock	SRL	SRL-LE	Arc Flash ASTM F887 SRL 		LL	L	W	D	x 1
										CSA
(A)	3503800	✓			9501479 + 9502194	30 ft (9 m)	23.5 in (59.69cm)	9 in (22.86cm)	4 in (10.16cm)	310 lb (140 kg)
(A)	3503801	✓			9501613 + 2100044	30 ft (9 m)	23.5 in (59.69cm)	9 in (22.86cm)	4 in (10.16cm)	310 lb (140 kg)
(A)	3503803	✓			9501479 + 9502194	20 ft (6 m)	23.5 in (59.69cm)	9 in (22.86cm)	4 in (10.16cm)	310 lb (140 kg)
(A)	3503804	✓			9501613 + 2100044	20 ft (6 m)	23.5 in (59.69cm)	9 in (22.86cm)	4 in (10.16cm)	310 lb (140 kg)
(A)	3503820	✓			3500076 + 9502194	35 ft (10.7 m)	25 in (63.5cm)	10 in (25.4cm)	4.3 in (10.92cm)	310 lb (140 kg)
(A)	3503821	✓			9501613 + 2100044	35 ft (10.7 m)	25 in (63.5cm)	10 in (25.4cm)	4.3 in (10.92cm)	310 lb (140 kg)
(A)	3503823	✓			9501613 + 2100044	50 ft (15 m)	25 in (63.5cm)	10 in (25.4cm)	4.3 in (10.92cm)	310 lb (140 kg)
(A)	3503824	✓			9501479 + 9502194	50 ft (15 m)	25 in (63.5cm)	10 in (25.4cm)	4.3 in (10.92cm)	310 lb (140 kg)
(B)	3503802		✓		9501087 + 1246514	20 ft (6 m)	31.5 in (80.01cm)	9 in (22.86cm)	4 in (10.16cm)	310 lb (140 kg)
(B)	3503822		✓		9501087 + 1246514	30 ft (9 m)	32.5 in (82.55cm)	10 in (25.4cm)	4.3 in (10.92cm)	310 lb (140 kg)
(A)	3503805	✓		✓	3500075 + 9502194	20 ft (6 m)	23.5 in (59.69cm)	9 in (22.86cm)	4 in (10.16cm)	310 lb (140 kg)

2



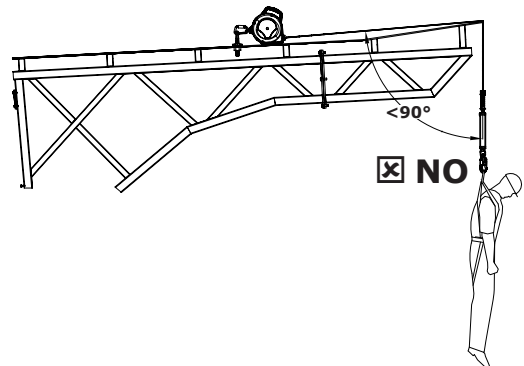
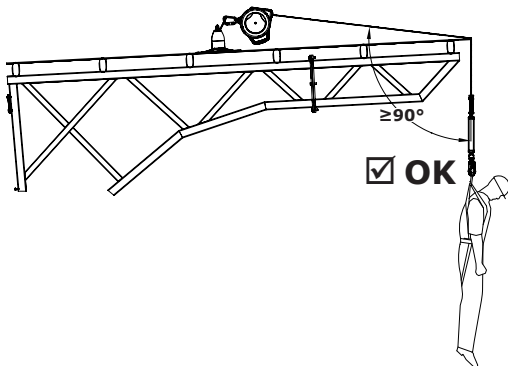
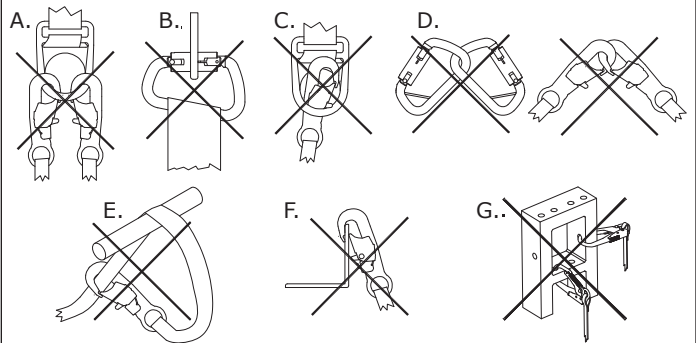
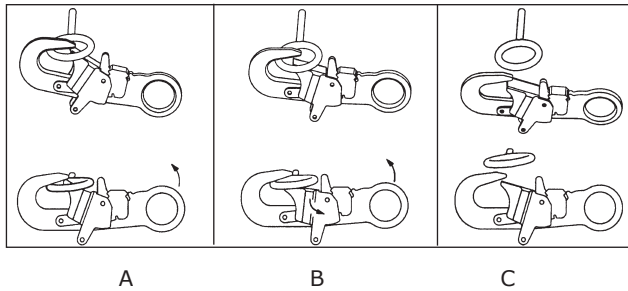
3

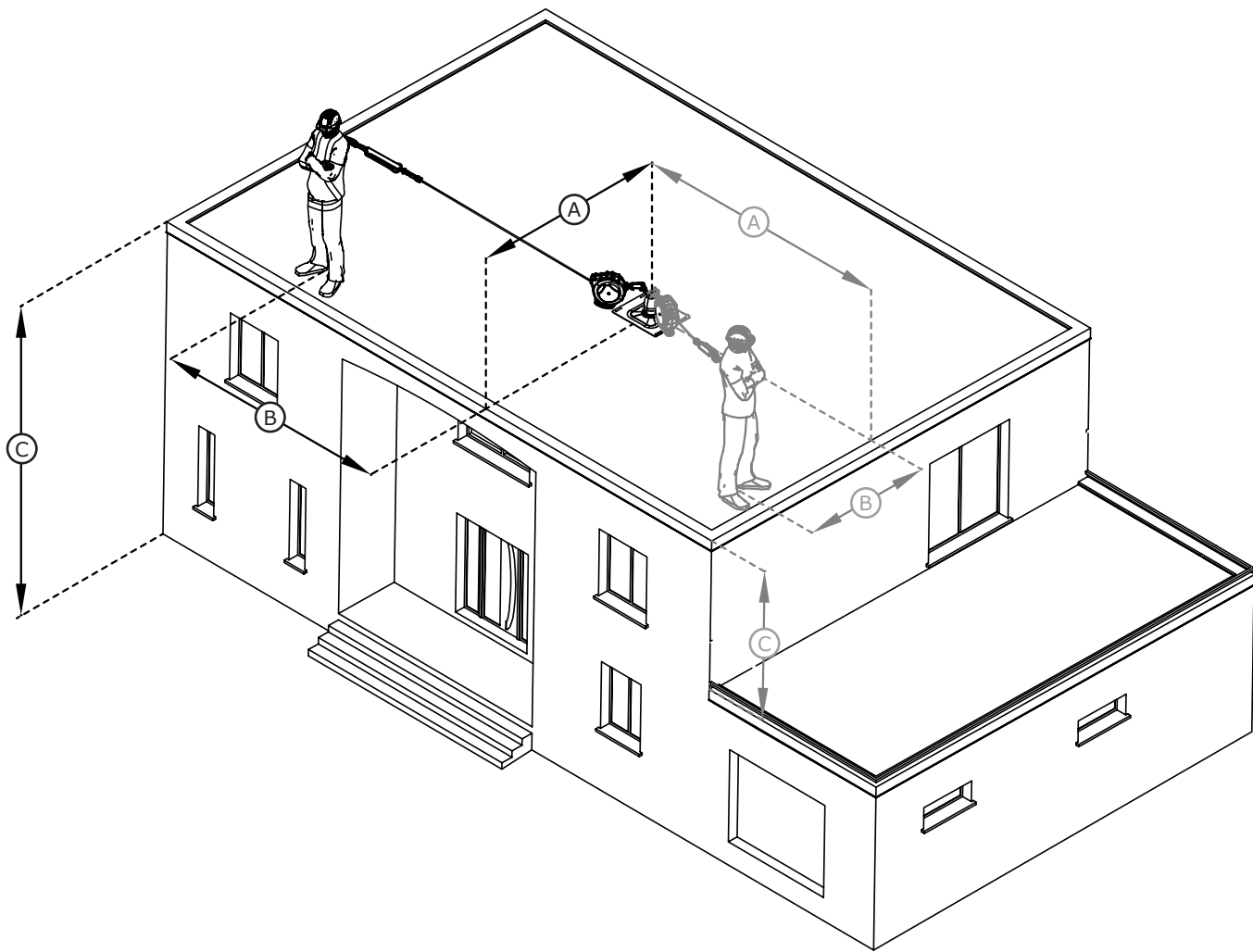




SRL: 130 - 310 lbs (59 - 140 kg)		B							
		<4 ft (1.2m)	4 ft (1.2m)	5 ft (1.5m)	6 ft (1.8m)	7 ft (2.1m)	8 ft (2.4m)	9 ft (2.7m)	>10 ft (3m)
A	8 ft (2.4m)	X	0 ft (0m)	2.5 ft (0.76m)	3.7 ft (1.13m)	4.9 ft (1.49m)	6 ft (1.83m)	7 ft (2.13m)	8 ft (2.44m)
	10 ft (3m)	X	0 ft (0m)	3.1 ft (0.94m)	4.6 ft (1.4m)	5.9 ft (1.8m)	7.1 ft (2.16m)	8.2 ft (2.5m)	9.3 ft (2.83m)
	20 ft (6.1m)	X	0 ft (0m)	5.4 ft (1.65m)	7.7 ft (2.35m)	9.6 ft (2.93m)	11.3 ft (3.44m)	12.8 ft (3.9m)	14.2 ft (4.33m)
	30 ft (9.1m)	X	0 ft (0m)	7 ft (2.13m)	10 ft (3.05m)	12.3 ft (3.75m)	14.4 ft (4.39m)	16.2 ft (4.94m)	17.9 ft (5.46m)
	50 (15.2)	X	0 ft (0m)	9.4 ft (2.87m)	13.4 ft (4.08m)	16.5 ft (5.03m)	19.1 ft (5.82m)	21.5 ft (6.55m)	23.7 ft (7.22m)
	70 ft (21.3m)	X	0 ft (0m)	11.3 ft (3.44m)	16.1 ft (4.91m)	19.8 ft (6.04m)	22.9 ft (6.98m)	25.7 ft (7.83m)	28.3 ft (8.63m)
			C						

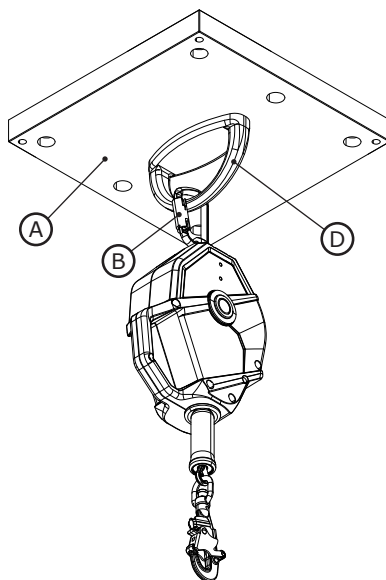
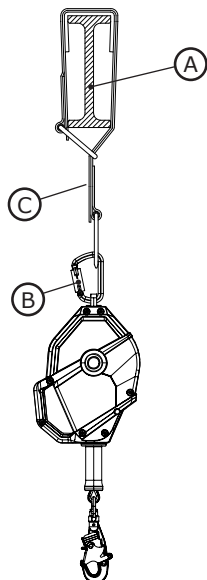
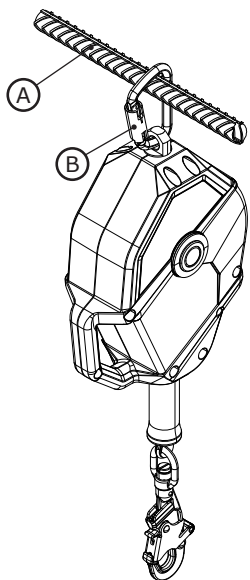
SRL: 311 - 420 lbs (140 - 191 kg)		B					
		<6 ft (1.8m)	6 ft (1.8m)	7 ft (2.1m)	8 ft (2.4m)	9 ft (2.7m)	>10 ft (3m)
A	8 ft (2.4m)	X	0 ft (0m)	2.5 ft (0.76m)	3.8 ft (1.16m)	4.9 ft (1.49m)	6 ft (1.83m)
	10 ft (3m)	X	0 ft (0m)	3.1 ft (0.94m)	4.6 ft (1.4m)	5.9 ft (1.8m)	7 ft (2.13m)
	20 ft (6.1m)	X	0 ft (0m)	5.3 ft (1.62m)	7.6 ft (2.32m)	9.5 ft (2.9m)	11.2 ft (3.41m)
	30 ft (9.1m)	X	0 ft (0m)	6.9 ft (2.1m)	9.9 ft (3.02m)	12.2 ft (3.72m)	14.3 ft (4.36m)
	50 (15.2)	X	0 ft (0m)	9.3 ft (2.83m)	13.3 ft (4.05m)	16.4 ft (5m)	19 ft (5.79m)
	70 ft (21.3m)	X	0 ft (0m)	11.3 ft (3.44m)	16 ft (4.88m)	19.7 ft (6m)	22.8 ft (6.95m)
		C					



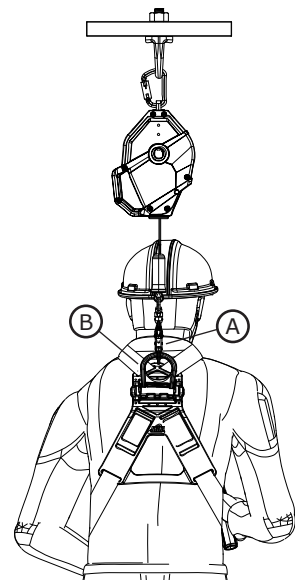


		SRL-LE: 130 - 310 lbs (59 - 140 kg)							
		B							
		0 ft (0.00m)	2 ft (0.61m)	5 ft (1.52m)	10 ft (3.05m)	15 ft (4.57m)	20 ft (6.1m)	25 ft (7.62m)	>25 ft (>7.62m)
A	2 ft (0.61m)	15 ft (4.57m)	15.8 ft (4.82m)						
	5 ft (1.52m)	15 ft (4.57m)	15.4 ft (4.69m)	17.1 ft (5.21m)					
	10 ft (3.05m)	15 ft (4.57m)	15.2 ft (4.63m)	16.2 ft (4.94m)	19.1 ft (5.82m)				
	15 ft (4.57m)	15 ft (4.57m)	15.1 ft (4.6m)	15.8 ft (4.82m)	18 ft (5.49m)	21.2 ft (6.46m)			
	20 ft (6.1m)	15 ft (4.57m)	15.1 ft (4.6m)	15.6 ft (4.75m)	17.4 ft (5.3m)	20 ft (6.1m)	23.3 ft (7.1m)		
	25 ft (7.62m)	15 ft (4.57m)	15.1 ft (4.6m)	15.5 ft (4.72m)	16.9 ft (5.15m)	19.2 ft (5.85m)	22 ft (6.71m)	25.4 ft (7.74m)	
	30 ft (9.14m)	15 ft (4.57m)	15.1 ft (4.6m)	15.4 ft (4.69m)	16.6 ft (5.06m)	18.5 ft (5.64m)	21.1 ft (6.43m)	24.1 ft (7.35m)	
	35 ft (10.67m)	15 ft (4.57m)	15.1 ft (4.6m)	15.4 ft (4.69m)	16.4 ft (5m)	18.1 ft (5.52m)	20.3 ft (6.19m)	23 ft (7.01m)	
	40 ft (12.19m)	15 ft (4.57m)	15 ft (4.57m)	15.3 ft (4.66m)	16.2 ft (4.94m)	17.7 ft (5.39m)	19.7 ft (6m)	22.2 ft (6.77m)	
	50 ft (15.24m)	15 ft (4.57m)	15 ft (4.57m)	15.2 ft (4.63m)	16 ft (4.88m)	17.2 ft (5.24m)	18.9 ft (5.76m)	20.9 ft (6.37m)	
	55 ft (16.76m)	15 ft (4.57m)	15 ft (4.57m)	15.2 ft (4.63m)	15.9 ft (4.85m)	17 ft (5.18m)	18.5 ft (5.64m)	20.4 ft (6.22m)	
		C							

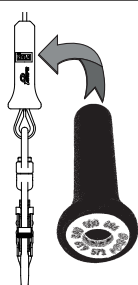
9



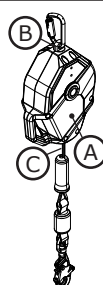
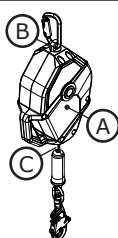
10



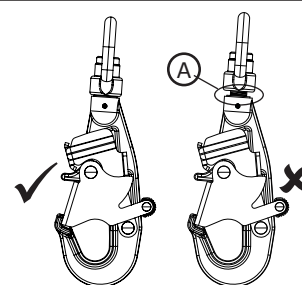
11



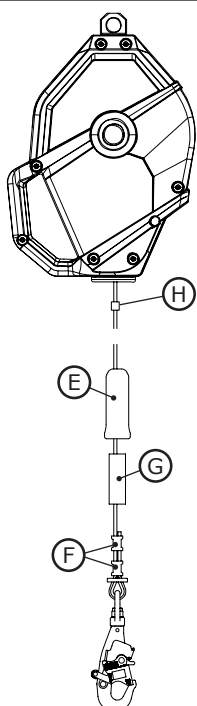
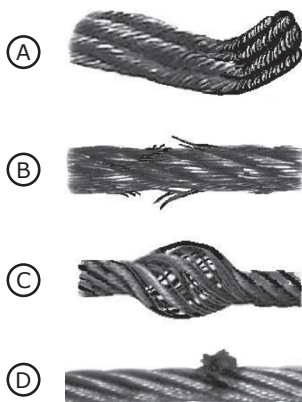
12



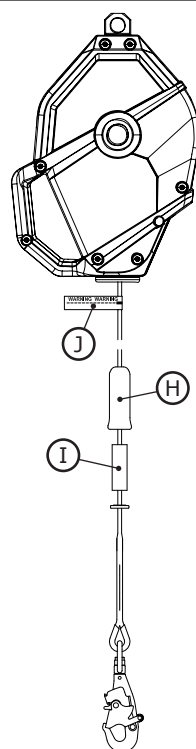
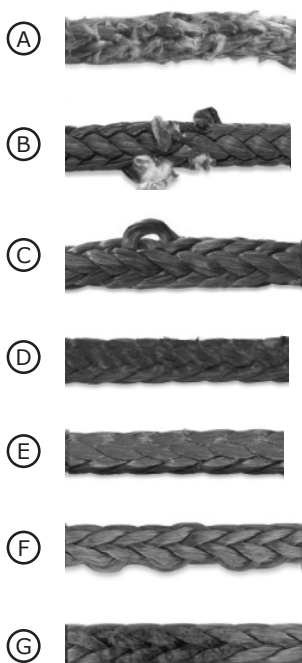
13



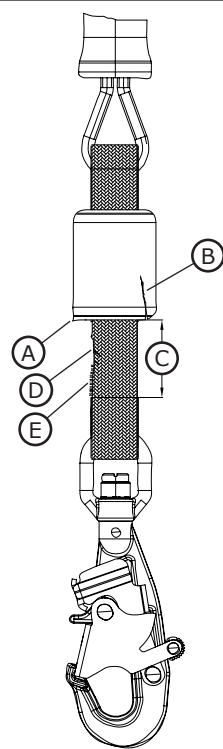
14



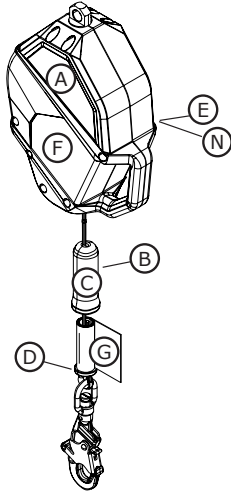
15



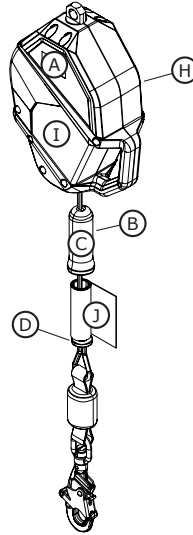
16



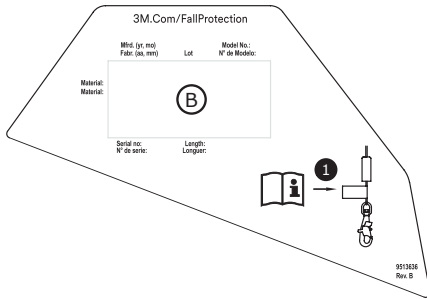
SRL



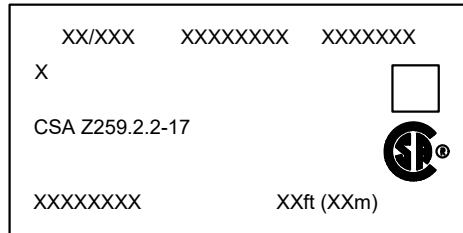
SRL-LE



(A)



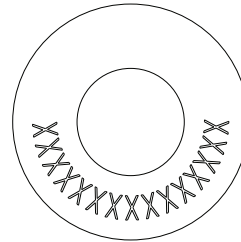
(B)



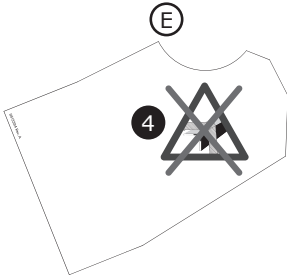
(C)



(D)



# 17 SRL



**WARNING:** Follow all manufacturer's instructions included at time of shipping.  
**AVERTISSEMENT:** Suivre toutes les instructions du fabricant fournies avec le dispositif lors de sa livraison.  
**WARNING:** This device shall be removed from service when the visual load indicator is deployed.  
**AVERTISSEMENT:** Ce dispositif doit être retiré du service lorsque l'indicateur de chute de est active.  
**WARNING:** Lifeline shall not contact edges or surfaces during fall arrest.  
**AVERTISSEMENT:** La corde d'assurance ne doit pas entrer en contact avec des bords ou des surfaces lors de l'arrêt de chute.  
**WARNING:** Anchor above user's Dorsal D-Ring.  
**AVERTISSEMENT:** Ancrer au-dessus de l'anneau en D dorsal du harna is de l'utilisateur.

**3M.com/FallProtection**

**Fall Protection**

**DO NOT REMOVE THESE LABELS. NE PAS RETIRER CETTES ÉTIQUETTES**

**A WARNING/AVERTISSEMENT:** Read instructions before use. This device shall be removed from service when the visual load indicator is deployed. Do not use this device unless you are trained and qualified to do so. Do not use this device unless you are trained and qualified to do so. Do not use this device unless you are trained and qualified to do so.

**USE/UTILISATION:** Read instructions before use. This device shall be removed from service when the visual load indicator is deployed. Do not use this device unless you are trained and qualified to do so. Do not use this device unless you are trained and qualified to do so. Do not use this device unless you are trained and qualified to do so.

Model	Weight	Length	Capacity
3300	1.2 kg	1.1 m	15 kN
3301	1.2 kg	1.1 m	15 kN
3302	1.2 kg	1.1 m	15 kN
3303	1.2 kg	1.1 m	15 kN
3304	1.2 kg	1.1 m	15 kN
3305	1.2 kg	1.1 m	15 kN
3306	1.2 kg	1.1 m	15 kN
3307	1.2 kg	1.1 m	15 kN
3308	1.2 kg	1.1 m	15 kN
3309	1.2 kg	1.1 m	15 kN
3310	1.2 kg	1.1 m	15 kN
3311	1.2 kg	1.1 m	15 kN
3312	1.2 kg	1.1 m	15 kN
3313	1.2 kg	1.1 m	15 kN
3314	1.2 kg	1.1 m	15 kN
3315	1.2 kg	1.1 m	15 kN
3316	1.2 kg	1.1 m	15 kN
3317	1.2 kg	1.1 m	15 kN
3318	1.2 kg	1.1 m	15 kN
3319	1.2 kg	1.1 m	15 kN
3320	1.2 kg	1.1 m	15 kN

SRD (SR)	ANSI (CSA)	CSA	OSHA
Capacity/Capacité	150-310 lbs (68-142 kg)	150-310 lbs (68-142 kg)	311-420 lbs (141-191 kg)
Max extension	1300 lbs (590 kg)	1300 lbs (590 kg)	1300 lbs (590 kg)
Max working distance	90 m (295 ft)	90 m (295 ft)	N/A
Max energy absorber	42 m (138 ft)	42 m (138 ft)	42 m (138 ft)

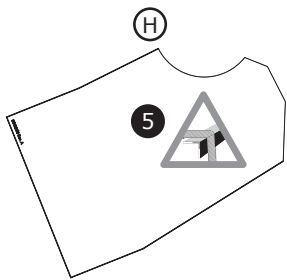
**WARNING/AVERTISSEMENT:**  
 - Avoid direct contact with other metal components.  
 - Éviter que la corde d'assurance entre en contact avec des autres composants ou éléments.  
 - For use only with 3M.  
 - À utiliser uniquement avec 3M.  
 - For vertical use only.  
 - Pour utilisation à la verticale seulement.  
 - Do not use with other equipment.  
 - Ne travailler pas en association avec d'autres équipements.

**INSPECTION:** Before each use, and at least monthly, inspect it accordance with the User Manual including loading function (and always in full). Inspect the device before use. Do not use this device unless you are trained and qualified to do so. Do not use this device unless you are trained and qualified to do so. Do not use this device unless you are trained and qualified to do so.

**RESEVERE LIFELINE / CORDE D'ASSURANCE DE RÉSERVE:**  
 Inspect the device before use. Do not use this device unless you are trained and qualified to do so. Do not use this device unless you are trained and qualified to do so. Do not use this device unless you are trained and qualified to do so.

**INSPECTION NOTE / REMARQUE POUR L'INSPECTION:**  
 Inspect the device before use. Do not use this device unless you are trained and qualified to do so. Do not use this device unless you are trained and qualified to do so. Do not use this device unless you are trained and qualified to do so.

**RESEVERE LIFELINE / CORDE D'ASSURANCE DE RÉSERVE:**  
 Inspect the device before use. Do not use this device unless you are trained and qualified to do so. Do not use this device unless you are trained and qualified to do so. Do not use this device unless you are trained and qualified to do so.



**WARNING:** Follow all manufacturer's instructions included at time of shipping.  
**AVERTISSEMENT:** Suivre toutes les instructions du fabricant fournies avec le dispositif lors de sa livraison.  
**WARNING:** This device shall be removed from service when the visual load indicator is deployed.  
**AVERTISSEMENT:** Ce dispositif doit être retiré du service lorsque l'indicateur de chute de est active.  
**WARNING:** Leading edge device.  
**AVERTISSEMENT:** Dispositif conçu pour les bords coupants.

**3M.com/FallProtection**

**Fall Protection**

**DO NOT REMOVE THESE LABELS. NE PAS RETIRER CETTES ÉTIQUETTES**

**A WARNING/AVERTISSEMENT:** Read instructions before use. This device shall be removed from service when the visual load indicator is deployed. Do not use this device unless you are trained and qualified to do so. Do not use this device unless you are trained and qualified to do so. Do not use this device unless you are trained and qualified to do so.

**USE/UTILISATION:** Read instructions before use. This device shall be removed from service when the visual load indicator is deployed. Do not use this device unless you are trained and qualified to do so. Do not use this device unless you are trained and qualified to do so. Do not use this device unless you are trained and qualified to do so.

Model	Weight	Length	Capacity
3300	1.2 kg	1.1 m	15 kN
3301	1.2 kg	1.1 m	15 kN
3302	1.2 kg	1.1 m	15 kN
3303	1.2 kg	1.1 m	15 kN
3304	1.2 kg	1.1 m	15 kN
3305	1.2 kg	1.1 m	15 kN
3306	1.2 kg	1.1 m	15 kN
3307	1.2 kg	1.1 m	15 kN
3308	1.2 kg	1.1 m	15 kN
3309	1.2 kg	1.1 m	15 kN
3310	1.2 kg	1.1 m	15 kN
3311	1.2 kg	1.1 m	15 kN
3312	1.2 kg	1.1 m	15 kN
3313	1.2 kg	1.1 m	15 kN
3314	1.2 kg	1.1 m	15 kN
3315	1.2 kg	1.1 m	15 kN
3316	1.2 kg	1.1 m	15 kN
3317	1.2 kg	1.1 m	15 kN
3318	1.2 kg	1.1 m	15 kN
3319	1.2 kg	1.1 m	15 kN
3320	1.2 kg	1.1 m	15 kN

SRD (SR)	ANSI (CSA)	CSA	OSHA
Capacity/Capacité	150-310 lbs (68-142 kg)	150-310 lbs (68-142 kg)	311-420 lbs (141-191 kg)
Max extension	1300 lbs (590 kg)	1300 lbs (590 kg)	1300 lbs (590 kg)
Max working distance	90 m (295 ft)	90 m (295 ft)	N/A
Max energy absorber	42 m (138 ft)	42 m (138 ft)	42 m (138 ft)

**WARNING/AVERTISSEMENT:**  
 - Avoid direct contact with other metal components.  
 - Éviter que la corde d'assurance entre en contact avec des autres composants ou éléments.  
 - For use only with 3M.  
 - À utiliser uniquement avec 3M.  
 - For vertical use only.  
 - Pour utilisation à la verticale seulement.  
 - Do not use with other equipment.  
 - Ne travailler pas en association avec d'autres équipements.

**3M.com/FallProtection**

**Fall Protection**

**DO NOT REMOVE THESE LABELS. NE PAS RETIRER CETTES ÉTIQUETTES**

**A WARNING/AVERTISSEMENT:** Read instructions before use. This device shall be removed from service when the visual load indicator is deployed. Do not use this device unless you are trained and qualified to do so. Do not use this device unless you are trained and qualified to do so. Do not use this device unless you are trained and qualified to do so.

**USE/UTILISATION:** Read instructions before use. This device shall be removed from service when the visual load indicator is deployed. Do not use this device unless you are trained and qualified to do so. Do not use this device unless you are trained and qualified to do so. Do not use this device unless you are trained and qualified to do so.

Model	Weight	Length	Capacity
3300	1.2 kg	1.1 m	15 kN
3301	1.2 kg	1.1 m	15 kN
3302	1.2 kg	1.1 m	15 kN
3303	1.2 kg	1.1 m	15 kN
3304	1.2 kg	1.1 m	15 kN
3305	1.2 kg	1.1 m	15 kN
3306	1.2 kg	1.1 m	15 kN
3307	1.2 kg	1.1 m	15 kN
3308	1.2 kg	1.1 m	15 kN
3309	1.2 kg	1.1 m	15 kN
3310	1.2 kg	1.1 m	15 kN
3311	1.2 kg	1.1 m	15 kN
3312	1.2 kg	1.1 m	15 kN
3313	1.2 kg	1.1 m	15 kN
3314	1.2 kg	1.1 m	15 kN
3315	1.2 kg	1.1 m	15 kN
3316	1.2 kg	1.1 m	15 kN
3317	1.2 kg	1.1 m	15 kN
3318	1.2 kg	1.1 m	15 kN
3319	1.2 kg	1.1 m	15 kN
3320	1.2 kg	1.1 m	15 kN

SRD (SR)	ANSI (CSA)	CSA	OSHA
Capacity/Capacité	150-310 lbs (68-142 kg)	150-310 lbs (68-142 kg)	311-420 lbs (141-191 kg)
Max extension	1300 lbs (590 kg)	1300 lbs (590 kg)	1300 lbs (590 kg)
Max working distance	90 m (295 ft)	90 m (295 ft)	N/A
Max energy absorber	42 m (138 ft)	42 m (138 ft)	42 m (138 ft)

**WARNING/AVERTISSEMENT:**  
 - Avoid direct contact with other metal components.  
 - Éviter que la corde d'assurance entre en contact avec des autres composants ou éléments.  
 - For use only with 3M.  
 - À utiliser uniquement avec 3M.  
 - For vertical use only.  
 - Pour utilisation à la verticale seulement.  
 - Do not use with other equipment.  
 - Ne travailler pas en association avec d'autres équipements.

**Please read, understand, and follow all safety information contained in these instructions prior to the use of this Self-Retracting Device (SRD). FAILURE TO DO SO COULD RESULT IN SERIOUS INJURY OR DEATH.**

**These instructions must be provided to the user of this equipment. Retain these instructions for future reference.**

## Intended Use:

This Self-Retracting Device is intended for use as part of a complete personal fall protection system.

Use in any other application including, but not limited to, material handling, recreational or sports related activities, or other activities not described in the User Instructions, is not approved by 3M and could result in serious injury or death.

This device is only to be used by trained users in workplace applications.

## ! WARNING

This Self-Retracting Device is part of a personal fall protection system. It is expected that all users be fully trained in the safe installation and operation of their personal fall protection system. **Misuse of this device could result in serious injury or death.** For proper selection, operation, installation, maintenance, and service, refer to these User Instructions including all manufacturer recommendations, see your supervisor, or contact 3M Technical Services.

- **To reduce the risks associated with working with an SRD which, if not avoided, could result in serious injury or death:**
  - Before each use, inspect the SRD and check for proper locking and retraction.
  - If inspection reveals an unsafe or defective condition, remove the device from service and repair or replace according to the User Instructions.
  - If the SRD has been subjected to fall arrest or impact force, immediately remove the SRD from service and label the device 'UNUSABLE'.
  - Ensure the lifeline is kept free from any and all obstructions including, but not limited to; entanglement with moving machinery or equipment (e.g., the top drive of oil rigs), other workers, yourself, surrounding objects, or impact from overhead objects that could fall onto the lifeline or the worker.
  - Never allow slack in the lifeline. Do not tie or knot the lifeline.
  - Attach the unused leg(s) of the Harness Mounted SRD to the parking attachment(s) of the harness if equipped.
  - Do not use in applications that have an obstructed fall path. Working on slowly shifting material, such as sand or grain, or within confined or cramped spaces, may not allow the worker to reach sufficient speed to cause the SRD to lock. A clear path is required to assure positive locking of the SRD.
  - Avoid sudden or quick movements during normal work operation. This may cause the device to lock up.
  - Ensure that fall protection systems/subsystems assembled from components made by different manufacturers are compatible and meet the requirements of applicable standards, including the ANSI Z359 or other applicable fall protection codes, standards, or requirements. Always consult a Competent and/or Qualified Person before using these systems.
  - (DEVICES WITH MAGNETS) Avoid close proximity to implanted medical devices.
- **To reduce the risks associated with working at height which, if not avoided, could result in serious injury or death:**
  - Ensure your health and physical condition allow you to safely withstand all of the forces associated with working at height. Consult with your doctor if you have any questions regarding your ability to use this equipment.
  - Never exceed allowable capacity of your fall protection equipment.
  - Never exceed maximum free fall distance of your fall protection equipment.
  - Do not use any fall protection equipment that fails pre-use or other scheduled inspections, or if you have concerns about the use or suitability of the equipment for your application. Contact 3M Technical Services with any questions.
  - Some subsystem and component combinations may interfere with the operation of this equipment. Only use compatible connections. Consult 3M prior to using this equipment in combination with components or subsystems other than those described in the User Instructions.
  - Use extra precautions when working around moving machinery (e.g. top drive of oil rigs) electrical hazards, extreme temperatures, chemical hazards, explosive or toxic gases, sharp edges, or below overhead materials that could fall onto you or your fall protection equipment.
  - Use Arc Flash or Hot Works devices when working in high heat environments.
  - Avoid surfaces and objects that can damage the user or equipment.
  - Ensure there is adequate fall clearance when working at height.
  - Never modify or alter your fall protection equipment. Only 3M or parties authorized in writing by 3M may make repairs to the equipment.
  - Prior to use of fall protection equipment, ensure a rescue plan is in place which allows for prompt rescue if a fall incident occurs.
  - If a fall incident occurs, immediately seek medical attention for the worker who has fallen.
  - Do not use a body belt for fall arrest applications. Use only a Full Body Harness.
  - Minimize swing falls by working as directly below the anchorage point as possible.
  - If training with this device, a secondary fall protection system must be utilized in a manner that does not expose the trainee to an unintended fall hazard.
  - Always wear appropriate personal protective equipment when installing, using, or inspecting the device/system.



## MAGNET SAFETY INFORMATION



**WARNING:** (SRDs WITH MAGNETS) To reduce the risks associated with working with SRDs with magnets which, if not avoided, could result in serious injury or death, avoid close proximity to implanted medical devices.

### **Some of the SRDs covered in this instruction manual have strong permanent magnets:**

- Permanent magnets are very strong. Handling them with care is necessary to prevent personal injuries, property damages and magnet damages.
- Permanent magnets are brittle. They can be broken or can splinter in a collision. One should wear gloves and protective glasses when handling these magnets, because splinters and/or spacers could disengage and fly from the magnets.
- The strong magnetic fields of permanent magnets can damage items such as televisions, computer monitors, credit cards, bank cards, computers, diskettes and other data carriers, video tapes, mechanical watches, hearing aids, loud speakers, and VCRs. Pacemakers may be damaged or switch to "Test Mode" in the presence of a strong magnetic force. If a pacemaker is in use, keep a minimum distance of 1 foot.
- Under no circumstances should you try to cut, saw or drill the magnets. Not only will the magnet break, but the resulting dust from the magnet is very flammable. Magnets should never be burned, as burning them will create toxic fumes.

Before using this equipment, record the product identification information from the ID label in the 'Inspection and Maintenance Log' at the back of this manual.

## DESCRIPTION:

Figure 2 identifies key components of the 3M™ DBI-SALA® Smart Lock Self-Retracting Devices (SRDs). Smart Lock SRDs are drum wound Cable or Rope Lifelines (A) that retract into a Nylon Housing (B). They can hang from anchorage by a Carabiner (C) attached through the Swivel Eye (D) on the top of the SRD. A Self-Locking Snap Hook (E) on the end of the Lifeline attaches to the designated Fall Arrest connection on a Full Body Harness. A Bumper (F), protects the Wire Rope and Ferrules securing the Snap Hook from abrasion and corrosion.


Figure 1 defines the Smart Lock SRD models covered by this instruction manual. The following SRD Types are available:

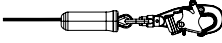
- **Self-Retracting Lanyard (Figure 2A):** Self-Retracting Lanyards (SRLs) are suitable for applications where the SRL is mounted overhead, the lifeline remains generally vertical during use, and the lifeline will begin to pay out of the SRL at the onset of a fall.
- **Self-Retracting Lanyard with Leading Edge (Figure 2B):** Self-Retracting Lanyards with Leading Edge (SRL-LEs) are suitable for applications where the lifeline remains generally horizontal during use and possible Free Fall is limited to 5 ft (1.5 m). SRL-LEs have an integral Energy Absorber (G), or similar component, to withstand impact loading of the lifeline over a sharp or abrasive edge during fall arrest and minimize fall arrest forces on the user.

**Arc Flash:** SRD models designed for "Arc Flash" meet the test requirements of the ASTM F887 standard and are designed for use in Environments where potential for an arc flash (electrical explosion) exists.

**Table 1 – Specifications**

### Component Specifications:

 Housing Halves	Material
9513609 + 9513622	Nylon - 20 ft (6 m) and 30 ft (9 m) SRLs, 20 ft (6 m) SRL-LEs
9513638 + 9513645	Nylon - 35 ft (10.7 m) and 50 ft (15 m) SRLs, 30 ft (9 m) SRL-LEs

 Lifeline	Description	Hook
9501479 + 9502194	3/16 in (4.76 mm) galvanized steel wire rope, self locking alloy steel swiveling snap hook with indicator.	9502194
9501613 + 2100044	3/16 in (4.76 mm) stainless steel wire rope, self locking stainless steel swiveling snap hook with indicator.	2100044
9501087 + 1246514	7/32 in (5.56 mm) galvanized steel wire rope, EZ-Stop energy absorber with self locking alloy steel swiveling snap hook with indicator.	9502194
3500076 + 9502194	1/4 in (6.35 mm) Vectran rope, self locking alloy steel swiveling snap hook with indicator.	9502194
3500075 + 9502194	7/32 in (5.5 mm) Technora/Polyester core with Kevlar sheath rope, self locking alloy steel swiveling snap hook with indicator.	9502194

Hook	Description	Material	Gate Strength	Throat Size
9502194	Swiveling Self-Locking Snap Hook with Impact Indicator	Zinc Plated Steel	3,600 lb (16 kN)	.75 in (1.9 cm)
2100044	Swiveling Self-Locking Snap Hook with Impact Indicator	Stainless Steel	3,600 lb (16 kN)	.75 in (1.9 cm)
2000112	Carabiner	Alloy Steel	3,600 lb (16 kN)	.69 in (1.75 cm)
2000127	Carabiner	Stainless Steel	3,600 lbs(16 kN)	.69 in (1.75 cm)

#### Lifeline Tensile Strength:

9501479 - 3/16 in dia. Galvanized Steel - Min. Tensile Strength 4,200 lb (18.7 kN)  
 9501613 - 3/16 in dia. Stainless Steel - Min. Tensile Strength 3,600 lb (16.0 kN)  
 9501087 - 7/32 in dia. Galvanized Steel - Min. Tensile Strength 5,600 lb (24.9 kN)  
 3500076 - 1/4 in dia. Vectran Rope - Min. Tensile Strength 6,375 lb (28.4 kN)  
 3500075 - 7/32 in dia. Technora/Polyester/Kevlar Rope - Min. Tensile Strength 5,500 lbs (24.4 kN)

**Table 1 – Specifications****Performance Specifications:**

<b>SRL Specifications (Vertical)</b>	<b>CSA</b>
<b>Capacity Range</b>	130 lb - 310 lb (59 kg - 140 kg)
<b>Maximum Arresting Force</b>	1,350 lb (6 kN)
<b>Average Arresting Force</b>	900 lb (4 kN)
<b>Claimed Maximum Arresting Distance<sup>1</sup></b>	47 in (1.2 m)
<b>Minimum Fall Clearance Required<sup>1</sup></b>	4 ft (1.2 m)
<b>Maximum Free Fall<sup>2</sup></b>	2 ft (0.6 m)

<b>SRL-LE Specifications (Horizontal)</b>	<b>CSA</b>
<b>Capacity Range</b>	130 lb - 310 lb (59 kg - 140 kg)
<b>Maximum Arresting Force</b>	1,350 lb (6 kN)
<b>Average Arresting Force</b>	860 lb (3.8 kN)
<b>Claimed Maximum Arresting Distance<sup>1</sup></b>	See "Section 2.8 - CSA Z259.2.2-17 Deployment Calculation"
<b>Minimum Fall Clearance Required<sup>1</sup></b>	6 ft (1.8 m)
<b>Maximum Free Fall<sup>2</sup></b>	2 ft (0.6 m)
<b>Maximum Free Fall<sup>3</sup> - LE</b>	5 ft (1.5 m)

1- Assumes the SRL is mounted directly above (overhead) the end user.

2- SRL must be mounted above user D-Ring.

3- Measured from user D-Ring to walking/working surface. Refer to Fall Clearance Chart(s) for details.

## 1.0 APPLICATIONS

- 1.1 PURPOSE:** Self-Retracting Devices (SRDs) are designed to be a component in a personal fall arrest system (PFAS). Figure 1 illustrates SRDs covered by this instruction manual. They may be used in most situations where a combination of worker mobility and fall protection is required (i.e. inspection work, general construction, maintenance work, oil production, confined space work, etc.).
- 1.2 STANDARDS:** Your SRD conforms to the national or regional standard(s) identified on the front cover of these instructions. Refer to the local, state, and federal (OSHA) requirements governing occupational safety for additional information regarding Personal Fall Protection.
- 1.3 TRAINING:** This equipment is intended to be used by persons trained in its correct application and use. It is the responsibility of the user to assure they are familiar with these instructions and are trained in the correct care and use of this equipment. Users must also be aware of the operating characteristics, application limits, and the consequences of improper use.
- 1.4 LIMITATIONS:** Always consider the following limitations when installing or using this equipment:

- **Capacity:** SRDs are for use by one person with a combined weight (clothing, tools, etc.) meeting the *Capacity Range* specified in Table 1 for your standard(s). Make sure all of the components in your system are rated to a capacity appropriate to your application.
- **Anchorage:** Anchorages selected for fall arrest systems shall have a strength capable of sustaining static loads applied in the directions permitted by the system of at least:
  1. 5,000 lbs. (22.2 kN) for non-certified anchorages, or
  2. Two times the maximum arresting force for certified anchorages.

When more than one fall arrest system is attached to an anchorage, the strengths set forth in (1) and (2) above shall be multiplied by the number of systems attached to the anchorage.

**FROM OSHA 1926.502 AND 1910.140:** Anchorages used for attachment of personal fall arrest systems shall be independent of any anchorage being used to support or suspend platforms, and capable of supporting at least 5,000 lbs. per user attached, or be designed, installed, and used as part of a complete personal fall arrest systems which maintains a safety factor of at least two, and is under the supervision of a qualified person.

- **Locking Speed:** Situations which do not allow for an unobstructed fall path should be avoided. Working in confined or cramped spaces may not allow the body to reach sufficient speed to cause the SRD to lock if a fall occurs. Working on slowly shifting material, such as sand or grain, may not allow enough speed buildup to cause the SRD to lock. A clear path is required to assure positive locking of the SRD.
- **Free Fall:** Properly using an SRD in overhead applications will minimize free fall distance. To prevent an increased free fall distance, follow the instructions below:
  - Never clamp, knot, or otherwise prevent the lifeline from retracting or staying taut.
  - Avoid any slack in the lifeline of the SRD.
  - Do not work above the level of your anchorage.
  - Do not lengthen SRDs by connecting a lanyard or similar component without consulting 3M.

For product-specific information relating to free fall and fall clearance values, please refer to Table 1 of this instruction.

- **Swing Falls:** Swing Falls occur when the anchorage point is not directly above the point where a fall occurs. The force of striking an object in a swing fall may cause serious injury (see Figure 3A). Minimize swing falls by working as directly below the anchorage point as possible.
- **Fall Clearance:** Figures 3B and 3C illustrate Fall Clearance. Table 1 specifies *Minimum Fall Clearance (FC)* for falls from a standing position where the SRD is anchored directly overhead (Figure 3B). Falls from a kneeling or crouching position will require an additional 3 ft (1 m) of Fall Clearance. In swing fall situations (Figure 3C), the total vertical fall distance will be greater than if the user had fallen directly below the anchorage point and requires additional Fall Clearance. Figure 4 and the accompanying table define the Maximum Work Radius (C) for various SRD Anchorage Heights (A) and Fall Clearances (B). The Recommended Work Zone is limited to the area located within the Maximum Work Radius.
- **Hazards:** Use of this equipment in areas where surrounding hazards exist may require additional precautions to reduce the possibility of injury to the user or damage to the equipment. Hazards may include, but are not limited to: high heat, caustic chemicals, corrosive environments, high voltage power lines, explosive or toxic gases, moving machinery, or overhead materials that may fall and contact the user or fall arrest system. Avoid working where your lifeline may cross or tangle with that of another worker. Avoid working where an object may fall and strike the lifeline; resulting in loss of balance or damage to the lifeline. Do not allow the lifeline to pass under arms or between legs.
- **Sharp Edges:** Avoid working where the lifeline will be in contact with or abrade against unprotected sharp edges. Where contact with a sharp edge is unavoidable, cover the edge with a protective material.

## 2.0 USE

- 2.1 FALL PROTECTION AND RESCUE PLAN:** The employer must have a Fall Protection and Rescue Plan in place that meets the requirements of all applicable standards and regulations. The plan should provide guidelines and requirements for an employer's managed fall protection program, including policies, duties and training; fall protection procedures; eliminating and controlling fall hazards; rescue procedures; incident investigations; and evaluating program effectiveness.

- 2.2 INSPECTION FREQUENCY:** SRDs shall be inspected by the user (authorized person<sup>1</sup> or rescuer<sup>2</sup>) before each use (See Table 3). Additionally, inspections shall be conducted periodically by a competent person<sup>3</sup> other than the user. CSA also requires periodic Product Revalidation by an Authorized Service Center. Extreme working conditions (harsh environment, prolonged use, etc.) may necessitate more frequent Competent Person Inspection and Product Revalidation. The competent person will use the *Inspection Schedule (Table 2)* to determine appropriate inspection and revalidation intervals. Inspection procedures are described in the *Inspection & Maintenance Log (Table 3)*. Results of the Competent Person inspection should be recorded in the *Inspection and Maintenance Log* or recorded with the Radio Frequency Identification (RFID) system.
- 2.3 NORMAL OPERATIONS:** Normal operation will allow the lifeline to extend and retract with no hesitation or slack as the worker moves at normal speeds. If a fall occurs, a speed sensing brake system will activate, stopping the fall and absorbing much of the energy created. Sudden or quick movements should be avoided during normal work operation, as this may cause the SRD to lock up. For falls which occur near the end of the lifeline travel, a reserve lifeline system or Energy Absorber has been incorporated to reduce the fall arrest forces.
- 2.4 BODY SUPPORT:** A Full Body Harness must be used with the Self-Retracting Device. The harness connection point must be above the user's center of gravity. A body belt is not authorized for use with the Self-Retracting Device. If a fall occurs when using a body belt it may cause unintentional release or physical trauma from improper body support.
- 2.5 COMPATIBILITY OF COMPONENTS:** Unless otherwise noted, 3M equipment is designed for use with 3M approved components and subsystems only. Substitutions or replacements made with non approved components or subsystems may jeopardize compatibility of equipment and may affect safety and reliability of the complete system.
- 2.6 COMPATIBILITY OF CONNECTORS:** Connectors are considered to be compatible with connecting elements when they have been designed to work together in such a way that their sizes and shapes do not cause their gate mechanisms to inadvertently open regardless of how they become oriented. Contact 3M if you have any questions about compatibility. Connectors (hooks, carabiners, and D-rings) must be capable of supporting at least 5,000 lbs. (22.2 kN). Connectors must be compatible with the anchorage or other system components. Do not use equipment that is not compatible. Non-compatible connectors may unintentionally disengage (see Figure 5). Connectors must be compatible in size, shape, and strength. Self-locking snap hooks and carabiners are required. If the connecting element to which a snap hook or carabiner attaches is undersized or irregular in shape, a situation could occur where the connecting element applies a force to the gate of the snap hook or carabiner (A). This force may cause the gate to open (B), allowing the snap hook or carabiner to disengage from the connecting point (C).
- 2.7 MAKING CONNECTIONS:** Snap hooks and carabiners used with this equipment must be self-locking. Ensure all connections are compatible in size, shape and strength. Do not use equipment that is not compatible. Ensure all connectors are fully closed and locked. 3M connectors (snap hooks and carabiners) are designed to be used only as specified in each product's user's instructions. See Figure 6 for examples of inappropriate connections. Do not connect snap hooks and carabiners:
- To a D-ring to which another connector is attached.
  - In a manner that would result in a load on the gate. Large throat snap hooks should not be connected to standard size D-rings or similar objects which will result in a load on the gate if the hook or D-ring twists or rotates, unless the snap hook is equipped with a 3,600 lb (16 kN) gate.
  - In a false engagement, where size or shape of the mating connectors are not compatible and, without visual confirmation, the connectors seem fully engaged.
  - To each other.
  - Directly to webbing or rope lanyard or tie-back (unless the manufacturer's instructions for both the lanyard and connector specifically allows such a connection).
  - To any object which is shaped or dimensioned such that the snap hook or carabiner will not close and lock, or that roll-out could occur.
  - In a manner that does not allow the connector to align properly while under load.

**Table 2 – Inspection Schedule**

Type of Use	Application Examples	Conditions of Use	ANSI/CSA		CSA
			User	Competent Person	Product Revalidation
Infrequent to Light	Rescue and Confined Space, Factory Maintenance	Good Storage Conditions, Indoor or Infrequent Outdoor Use, Room Temperature, Clean Environments	Before Each Use	Annually	At least every 5 years but not longer than the interval required by the manufacturer.
Moderate to Heavy	Transportation, Residential Construction, Utilities, Warehouse	Fair Storage Conditions, Indoor and Extended Outdoor Use, All Temperatures, Clean or Dusty Environments	Before Each Use	Semi-Annually to Annually	At least every 2 years but not longer than the interval required by the manufacturer.
Sever to Continuous	Commercial Construction, Oil and Gas, Mining, Foundry	Harsh Storage Conditions, Prolonged or Continuous Outdoor Use, All Temperatures, Dirty Environment	Before Each Use	Quarterly to Semi-Annually	At least annually but not longer than the interval required by the manufacturer.

**CSA Inspection Criteria:**

- Failure of the Worker to inspect before each use, or failure of the Before Use Inspection, will require inspection by a Competent Person.
- Failure of the Competent Person to inspect at the proper intervals, or failure of the Competent Person Inspection, will require Product Revalidation or disposal.
- The Type of Use category will be determined by a Competent Person.
- SRDs considered non-repairable, or SRDs designed such that internal inspection will render the SRD unserviceable, are not subject to Product Revalidation. These SRDs will have service life and other inspection requirements as provided in the manufacturer's instructions.

**1 Authorized Person:** A person assigned by the employer to perform duties at a location where the person will be exposed to a fall hazard.

**2 Rescuer:** Person or persons other than the rescue subject acting to perform an assisted rescue by operation of a rescue system.

**3 Competent Person:** An individual designated by the employer to be responsible for the immediate supervision, implementation, and monitoring of the employer's managed fall protection program who, through training and knowledge, is capable of identifying, evaluating, and addressing existing and potential fall hazards, and who has the employer's authority to take prompt corrective action with regard to such hazards.

**2.8 SELF-RETRACTING DEVICES WITH LEADING EDGE (SRD-LE):** The SRDs covered by this instruction manual include Self-Retracting Devices with Leading Edge capabilities (SRD-LEs). See Figure 1 for specific SRD-LE models. SRD-LEs were tested for horizontal use and falls over a steel edge without burrs. SRD-LEs may be used in situations where a fall may occur over steel edges, such as found on steel shapes or metal sheeting.

**Leading Edge Precautions:** Observe the following precautions when using SRD-LEs:

- Users over 310 lb. (140 kg) must not use this device in Leading Edge applications.
- The allowable angle of redirection of the lifeline portion of the SRD-LE at the edge over which a fall might occur (measured between the two sides formed by the redirected lifeline) shall be at least 90 degrees (see Figure 7).
- The anchor point shall be situated at the same height as the edge at which a fall might occur or above the edge. Anchor points below the edge are dangerous because they cause the lifeline to redirect at an angle sharper than 90 degrees (see Figure 7).
- Consult Section 1 for limitations to the allowable work area relative to the anchorage point, including factors such as swing fall and abrasion on the line at the edge and the use of a single anchor point versus anchors that allow horizontal movement (e.g., Horizontal Lifeline or Horizontal Rail).
- SRD-LEs may be used with a Horizontal Lifeline or Horizontal Rail only as instructed in the product instructions for the Horizontal Lifeline or Horizontal Rail.
- Do not work on the far side of an opening opposite the SRD-LE anchorage point.
- In the event of a fall over the edge, special rescue measures may be required.
- When planning your Leading Edge application, be sure work area parameters are within the Minimum Setback Distance, Maximum Free Fall Distance, and Minimum Fall Clearance Required when Falling Over an Edge as indicated on the SRD-LE labeling.
- For straight line connections, the Wrap Back SRDs should only be attached to a rigid anchor point if used in a Leading Edge application.

**Leading Edge Fall Clearance Calculation:** The Minimum Fall Clearance Required when Falling Over an Edge can be calculated based on the Setback Distance and Distance Along the Edge of your Leading Edge application (see Figure 8). To calculate Fall Clearance from the table in Figure 8:

1. Select the value closest to your Setback Distance (A) in the left-side row headings.
2. Select the value closest to your working Distance Along the Edge (B) from the top column headings. Shaded areas with no values indicate the Distance Along the Edge is outside of the safe Work Radius for your selected Setback Distance.
3. The Clearance Required when Falling Over an Edge (C) will be the value listed at the intersection of the row selected in Step 1 and the column selected in Step 2.
4. Repeat the previous steps for every edge over which the worker could potentially fall to determine safe placement of anchorage and allowable Work Radius.

**CSA Z259.2.2-17 Deployment Calculation:**

**Deployment:** *Deployment is equal to the Deployment Factor ( $D_m$ ) times Free Fall Distance ( $h$ ) for a Maximum Worker Mass (kg) or deployment based on the results of Dynamic Testing specified in CSA Z259.17, Clause 7.2, whichever is greater.*

- Deployment Factor for a 141 kg mass ( $D_{141}$ ) = 0.7
- When SRD is anchored overhead Maximum Deployment Distance = 1.2 m (47 in)
- When SRD is anchored so free fall is possible, Maximum Deployment Distance = 1.8 m (6 ft)

## 3.0 Installation

- 3.1 PLANNING:** Plan your fall protection system before starting your work. Account for all factors that may affect your safety before, during, and after a fall. Consider all requirements and limitations defined in this manual.
- 3.2 ANCHORAGE:** Figure 9 illustrates typical SRL anchorage connections. The anchorage (A) should be directly overhead to minimize Free Fall and Swing Fall hazards (see Section 1). Select a rigid anchorage point capable of sustaining the static loads defined in Section 1.4. The Swivel Eye on the SRL is equipped with a Carabiner (B). Attach the Carabiner directly to the anchorage structure (rebar, angle iron, etc.), a Tie-Off Adaptor (C), or Anchorage Connection Point (D).
- 3.3 HARNESS CONNECTION:** A Full Body Harness is required for Fall Arrest applications. Connect the Snap Hook (A) on the SRL Lifeline to the Back Dorsal D-Ring (B) on the Full Body Harness. (see Figure 10). For situations such as ladder climbing, it may be useful to connect to the front Sternal D-Ring. Consult the harness manufacturer's instructions for details regarding use of the harness connection points.

## 4.0 OPERATION

*First time or infrequent users of Smart Lock Self-Retracting Devices (SRDs) should review the "Safety Information" at the beginning of this manual prior to use of the SRD.*

*Users must have a written Rescue Plan and the means at hand to implement it when using the equipment.*

- 4.1 BEFORE EACH USE:** Before each use of this fall protection equipment carefully inspect it to assure it is in good working condition. Check for worn or damaged parts. Ensure all bolts are present and secure. Check that the lifeline is retracting properly by pulling out the line and allowing it to slowly retract. If there is any hesitation in retraction the unit should be marked as "UNUSABLE" and returned to an authorized service center for service. Inspect the lifeline for cuts, frays, burns, crushing and corrosion. Check locking action by pulling sharply on the line. See Section 5 for inspection details. Do not use if inspection reveals an unsafe condition.
- 4.2 AFTER A FALL:** Any equipment which has been subjected to the forces of arresting a fall or exhibits damage consistent with the effect of fall arrest forces as described in Section 5, must be removed from service immediately, marked as "UNUSABLE", and inspected and serviced as instructed in Sections 5 and 6.
- 4.3 BODY SUPPORT:** A full body harness must be worn when using 3M SRLs. For general fall protection use, connect to the back Dorsal D-Ring. For situations such as ladder climbing, it may be useful to connect to the front Sternal D-Ring. Consult the harness manufacturer's instructions for details regarding use of the harness connection points.
- 4.4 MAKING CONNECTIONS:** When using a hook to make a connection, ensure roll-out cannot occur (see Figure 5). Do not use hooks or connectors that will not completely close over the attachment object. Do not use non-locking snap hooks. The mounting surface should meet the anchorage strength requirements stated in section 2.2. Follow the manufacturer's instructions supplied with each system component.
- 4.5 OPERATION:** Inspect the SRL as described in Section 5.0. Connect the SRL to a suitable anchorage or anchorage connector as previously described. Connect the Self-Locking Snap Hook on the end of the lifeline to the Dorsal D-Ring on the Full Body Harness (see Figure 10). Ensure connections are compatible in size, shape, and strength. Ensure hook is fully closed and locked. Once attached, the worker is free to move about within the recommended working area at normal speeds. A tag line may be required to extend or retract the lifeline during connection and disconnection operations. A tag line can be used to prevent uncontrolled retraction of the lifeline into the SRL. Depending on the work site environment and conditions, it may be necessary to restrain the free end of the tag line to prevent interference and entanglement with equipment or machinery.

## 5.0 Inspection

- 5.1 RFID TAG:** The Self-Retracting Device includes a Radio Frequency Identification (RFID) tag (see Figure 12). The RFID tag can be used with the handheld reading device and web based portal to simplify inspection and inventory control and provide records for your fall protection equipment. For details, contact a 3M Customer Service representative (see back cover). Follow the instructions provided with your handheld reader, or on the web portal, to transfer your data to your web log.
- 5.2 INSPECTION FREQUENCY:** The Smart Lock Self-Retracting Device must be inspected at the intervals defined in "Section 2.2 - Inspection Frequency". Inspection procedures are described in the "Inspection & Maintenance Log" (Table 3).

*Extreme working conditions (harsh environments, prolonged use, etc.) may require increasing the frequency of inspections.*

- 5.3 UNSAFE OR DEFECTIVE CONDITIONS:** If inspection reveals an unsafe defective condition, remove the Self-Retracting Device from service immediately, mark as "UNUSABLE", and send to an authorized service center for repair.

*Only 3M or parties authorized in writing may make repairs to this equipment.*

- 5.4 PRODUCT LIFE:** The functional life of 3M Self-Retracting Devices is determined by work conditions and maintenance. As long as the product passes inspection criteria, it may remain in service.

## 6.0 MAINTENANCE, SERVICE, and STORAGE

**6.1 CLEANING:** Cleaning procedures for the Self-Retracting Device are as follows:

- Periodically clean the exterior of the SRL using water and a mild soap solution. Position the SRD so excess water can drain out. Clean labels as required.
- Clean lifeline with water and mild soap solution. Rinse and thoroughly air dry. Do not force dry with heat. An excessive buildup of dirt, paint, etc. may prevent the lifeline from fully retracting back into the housing causing a potential free fall hazard. Replace lifeline if excessive buildup is present.

**6.2 SERVICE:** Additional maintenance and servicing procedures must be completed by an authorized service center. Do not attempt to disassemble the SRL or lubricate any parts.

**6.3 STORAGE AND TRANSPORT:** Store and transport Self-Retracting Device in a cool, dry, clean environment out of direct sunlight. Avoid areas where chemical vapors may exist. Thoroughly inspect the SRL after any period of extended storage.

## 7.0 Labels

Figure 18 illustrates labels on the the Smart Lock Self-Retracting Devices and their locations. All labels must be present on the SRD. Labels must be replaced if they are not fully legible. Pictograms on the labels are defined as follows:

1	Read Use Instructions located under the Lifeline Bumper
2	Do not load SRD Casing over an edge.
3	1 Person Capacity (See other side of label for weight range)
4	SRL - Not Leading Edge - Do not use over an edge.
5	SRL-LE - Leading Edge - Can be used over an edge.



**Table 3 – Inspection & Maintenance Log**

<b>Serial Number(s):</b>		<b>Date Purchased:</b>	
<b>Model Number:</b>		<b>Date of First Use:</b>	
<b>Inspected By:</b>		<b>Inspection Date:</b>	
<b>Component:</b>	<b>Inspection:</b>	<b>Before Each Use</b>	<b>Competent Person</b>
SRL (Figure 13)	Inspect for loose bolts and bent or damaged parts.	<input type="checkbox"/>	<input type="checkbox"/>
	Inspect Housing (A) for distortion, cracks, or other damage.	<input type="checkbox"/>	<input type="checkbox"/>
	Inspect the Swivel Eye (B) for distortion, cracks, or other damage. The Swivel Eye should be attached securely to the SRL, but should pivot freely.	<input type="checkbox"/>	<input type="checkbox"/>
	The Lifeline (C) should pull out and retract fully without hesitation or creating a slack line condition.	<input type="checkbox"/>	<input type="checkbox"/>
	Ensure device locks up when lifeline is jerked sharply. Lockup should be positive with no slipping.	<input type="checkbox"/>	<input type="checkbox"/>
	The labels must be present and fully legible (see Figure 18).	<input type="checkbox"/>	<input type="checkbox"/>
	Look for signs of corrosion on the entire unit.	<input type="checkbox"/>	<input type="checkbox"/>
Swivel Snap Hook & Impact Indicator (Figure 14)	Inspect the Swivel Snap Hook for signs of damage, corrosion, and working condition. Swivel should rotate freely. Inspect the Impact Indicator. If the Red Band is displayed (Indicated Mode), impact loading has occurred and the SRL must be removed from service and inspected. Do not attempt to reset the Impact Indicator. Return the SRL to an authorized service center for resetting. NOTE: The Swivel will not turn freely when the Impact Indicator is in Indicated Mode.	<input type="checkbox"/>	<input type="checkbox"/>
Wire Rope Lifeline (Figure 15)	Inspect wire rope for cuts, kinks (A), broken wires (B), bird-caging (C), welding splatter, (D) corrosion, chemical contact areas, or severely abraded areas. Slide the Cable Bumper (E) up and inspect ferrules (F) for cracks or damage and inspect the wire rope for corrosion and broken wires. Replace the wire rope assembly if there are six or more randomly distributed broken wires in one lay, or three or more broken wires in one strand in one lay. A "lay" of wire rope is the length of wire rope it takes for a strand (the larger groups of wires) to complete one revolution or twist along the rope. Replace the wire rope assembly if there are any broken wires within 1 inch (25 mm) of the ferrules.	<input type="checkbox"/>	<input type="checkbox"/>
	With the Cable Bumper up, unroll and inspect the Use Instruction Label (G). The label should be present and fully legible (see Figure 18).	<input type="checkbox"/>	<input type="checkbox"/>
	Inspect the Reserve Lifeline payout. If a fall has been arrested with most of the lifeline out, the Reserve Lifeline may have been deployed. Pull the lifeline out of the SRL until it stops. If a red band (H) is visible, the Reserve Lifeline is spent and the unit must be serviced by an authorized service center before reuse.	<input type="checkbox"/>	<input type="checkbox"/>
Rope Lifeline (Figure 16)	Inspect rope for abrasion (A), cut strands (B), pulled strands (C), melting or glazing (D), compression (E), inconsistent diameter (F), and discoloration or degradation (G). Slide the lifeline Bumper (H) up and inspect for cut strands.	<input type="checkbox"/>	<input type="checkbox"/>
	With the Cable Bumper up, unroll and inspect the the Use Instruction Label (I). The label should be present and fully legible (see Figure 18).	<input type="checkbox"/>	<input type="checkbox"/>
	Inspect the Reserve Lifeline payout. If a fall has been arrested with most of the lifeline out, the Reserve Lifeline may have been deployed. Pull the lifeline out of the SRL until it stops. If a warning label (J) is visible, the Reserve Lifeline is spent and the unit must be serviced by an authorized service center before reuse.	<input type="checkbox"/>	<input type="checkbox"/>
SRL-LE Energy Absorber (Figure 17)	On Self-Retracting Lanyards with Leading Edge capability (SRL-LEs) verify that the integral Energy Absorber has not been activated. An open cover (A) or torn cover (B), webbing pulled out of the cover (C), torn (D) or frayed webbing (E), ripped stitching, etc. are indicators of an activated Energy Absorber.	<input type="checkbox"/>	<input type="checkbox"/>
<b>Corrective Action/Maintenance:</b>		Approved By:	
		Date:	
<b>Corrective Action/Maintenance:</b>		Approved By:	
		Date:	
<b>Corrective Action/Maintenance:</b>		Approved By:	
		Date:	
<b>Corrective Action/Maintenance:</b>		Approved By:	
		Date:	
<b>Corrective Action/Maintenance:</b>		Approved By:	
		Date:	
<b>Corrective Action/Maintenance:</b>		Approved By:	
		Date:	

**Veillez lire, comprendre et respecter toutes les informations de sécurité contenues dans ces instructions avant d'utiliser ce dispositif auto-rétractable. LE NON-RESPECT DE CES INSTRUCTIONS PEUT ENTRAÎNER DES BLESSURES GRAVES, VOIRE LA MORT.**

**Ces instructions doivent être transmises à l'utilisateur de cet équipement. Veillez conserver ces instructions pour une utilisation ultérieure.**

## Utilisation prévue :

Ce dispositif auto-rétractable est prévu pour être utilisé comme partie intégrante d'un système de protection antichute personnelle complet.

L'utilisation dans le cadre d'autres applications comme, sans en exclure d'autres, des activités récréatives ou liées au sport, ou d'autres activités non décrites dans les instructions destinées à l'utilisateur, n'est pas approuvée par 3M et peut entraîner des blessures graves voire la mort.

Ce dispositif doit être utilisé uniquement par des usagers formés sur les applications du lieu de travail.

## AVERTISSEMENT

Ce dispositif auto-rétractable fait partie intégrante d'un système de protection antichute personnelle. Il est attendu que tous les usagers sont entièrement formés sur l'installation sécuritaire et le fonctionnement de leur système de protection antichute personnelle. **Une mauvaise utilisation de ce dispositif peut entraîner des blessures graves, voire la mort.** Pour s'assurer d'un choix, d'un fonctionnement, d'une installation, de travaux d'entretien et de réparation appropriés, veuillez vous reporter à ces instructions ainsi qu'à toutes les recommandations du fabricant, consulter votre superviseur ou communiquer avec les services techniques de 3M.

- **Pour réduire les risques associés au travail en hauteur avec un dispositif auto-rétractable qui, s'ils ne sont pas évités, pourraient entraîner de graves blessures, voire la mort :**
  - Avant chaque utilisation, inspectez le dispositif auto-rétractable pour vous assurer qu'il se verrouille et se rétracte adéquatement.
  - Si l'inspection révèle l'existence d'une défectuosité ou d'un problème affectant la sécurité, mettez l'équipement hors service et faites-le réparer ou remplacez-le conformément à ces instructions.
  - Si le dispositif auto-rétractable a subi une force d'impact ou a dû arrêter une chute, retirez-le immédiatement du service et apposez-lui une étiquette « INUTILISABLE ».
  - Veillez à ce que la ligne de vie soit exempte de toute obstruction, incluant, mais sans s'y limiter, emmêlement avec une machinerie ou un équipement mobile (p. ex. l'entraînement supérieur d'une plateforme pétrolière), les autres travailleurs, vous-même, les objets environnants ou l'impact provenant d'objets situés au-dessus qui pourraient tomber dans la ligne de vie ou sur le travailleur.
  - Veillez à ce que la ligne de vie soit en tout temps exempte de mou. N'attachez pas la ligne de vie et ne la nouez pas.
  - Fixez la ou les pattes non utilisées du dispositif auto-rétractable monté sur harnais aux fixations d'arrêt le cas échéant.
  - N'utilisez pas le système lorsque le chemin de chute est obstrué. Tout travail effectué sur un matériau qui se déplace lentement, par exemple du sable ou du grain, ou encore dans des espaces confinés ou exigus, pourrait ne pas permettre au travailleur d'atteindre une vitesse suffisante pour que le dispositif auto-rétractable se verrouille. Une trajectoire de chute non obstruée est nécessaire pour que le dispositif auto-rétractable se bloque normalement.
  - Évitez les mouvements brusques ou rapides durant le travail normal. Ce type de mouvements pourrait provoquer le blocage du dispositif.
  - Assurez-vous que les systèmes/sous-systèmes de protection antichute assemblés à partir de composants fabriqués par différents fabricants sont compatibles et répondent aux exigences des normes applicables, y compris la norme ANSI Z359 ou d'autres codes, normes ou exigences de protection antichute applicables. Consultez toujours une personne qualifiée avant d'utiliser ces systèmes.
  - (DISPOSITIFS AVEC AIMANTS) Évitez toute proximité avec un dispositif médical implanté
- **Pour réduire les risques associés au travail en hauteur qui, s'ils ne sont pas évités, pourraient entraîner des blessures graves, voire la mort :**
  - Assurez-vous que votre condition physique et votre état de santé vous permettent de supporter en toute sécurité toutes les forces associées au travail en hauteur. Consultez votre médecin en cas de questions sur votre capacité à utiliser cet équipement.
  - Ne dépassez jamais la capacité maximale permise de votre équipement de protection antichute.
  - Ne dépassez jamais la distance maximale de chute libre de votre équipement de protection antichute.
  - N'utilisez jamais un équipement de protection antichute qui échoue à une inspection préalable à son utilisation ou à toute autre inspection programmée ou encore si vous vous inquiétez de l'utilisation ou de la pertinence de l'équipement pour votre application. En cas de questions, n'hésitez pas à communiquer avec les services techniques de 3M.
  - Certaines combinaisons de sous-systèmes et de composants peuvent gêner le fonctionnement de cet équipement. N'utilisez que des connecteurs compatibles. Consultez 3M avant d'employer cet équipement conjointement avec des composants ou des sous-systèmes autres que ceux décrits dans les instructions à l'utilisateur.
  - Prenez des précautions supplémentaires lorsque vous travaillez à proximité d'une machinerie mobile (p. ex. l'entraînement supérieur d'une plateforme pétrolière), risques électriques, températures extrêmes, risques chimiques, gaz explosifs ou toxiques, bords tranchants ou matériaux en suspension pouvant endommager l'utilisateur ou l'équipement.
  - Lorsque vous travaillez dans un environnement où la chaleur est élevée, utilisez des appareils dont l'usage se fait en environnement chaud ou en présence d'arc électrique.
  - Évitez les surfaces et les objets qui pourraient endommager l'équipement de l'utilisateur.
  - Lorsque vous travaillez en hauteur, vérifiez d'abord que la distance d'arrêt est adéquate.
  - Ne modifiez jamais votre équipement de protection antichute. Seules 3M ou les parties autorisées par écrit par 3M sont en droit d'effectuer des réparations sur cet équipement.
  - Avant d'utiliser un équipement de protection antichute, assurez-vous qu'un plan de sauvetage est en place et permet un sauvetage rapide en cas de chute.
  - Si un tel incident devait se produire, obtenez des soins médicaux immédiats pour le travailleur tombé.
  - N'utilisez pas de ceinture de travail dans les applications de protection antichute. N'utilisez qu'un harnais de sécurité complet.
  - Vous pouvez réduire les chutes oscillantes en travaillant aussi près que possible de l'ancrage.
  - Si ce dispositif est utilisé en formation, un second système de protection antichute doit être utilisé aussi de façon à ne pas exposer le stagiaire à un danger de chute involontaire.
  - Portez toujours un équipement de protection individuelle approprié lors de l'installation, de l'utilisation ou de l'inspection du dispositif/système.

## INFORMATION SUR LA SÉCURITÉ DE L'AIMANT



**AVERTISSEMENT :** (DISPOSITIFS AutoRÉTRACTABLES AVEC AIMANTS) Les risques associés à un travail avec des dispositifs autorétractables dotés d'aimants, s'ils ne sont pas évités, pourraient provoquer de graves blessures, voire la mort. Évitez toute proximité avec les dispositifs médicaux implantés.

### **Certains des dispositifs autorétractables décrits dans ce manuel d'utilisation comportent de puissants aimants permanents :**

- Les aimants permanents sont puissants forts. Il faut les manipuler avec précaution afin de prévenir les blessures corporelles, ainsi que les dommages matériels et aux aimants.
- Les aimants permanents sont friables. Ils peuvent se casser ou se fendre lors d'un choc. Il faut porter des gants et des lunettes de protection lorsque ces aimants sont manipulés, car des fragments et/ou des éclats pourraient s'en détacher.
- Les puissants champs magnétiques des aimants permanents peuvent endommager certains articles comme les téléviseurs, les écrans d'ordinateur, les cartes de crédit, les cartes bancaires, les ordinateurs, les disquettes et autres moyens de stockage des données, les cassettes vidéo, les montres mécaniques, les appareils auditifs, les haut-parleurs et les magnétoscopes. Les stimulateurs cardiaques pourraient être endommagés ou passer en « mode Test » en présence d'une puissante force magnétique. Si vous portez un stimulateur cardiaque, maintenez une distance minimale de 0,3 m (1 pi) entre vous et l'aimant.
- En aucun cas, vous ne devez tenter de couper, de scier ou de percer les aimants. Non seulement l'aimant se cassera, mais la poussière de ce dernier est très inflammable. Les aimants ne doivent jamais être brûlés, car cela provoquerait des émanations toxiques.

Avant d'utiliser ce matériel, consigner les renseignements d'identification du produit qui figurent sur l'étiquette d'identification dans le Registre d'inspection et d'entretien situé au verso du présent manuel.

## DESCRIPTION :

La figure 2 montre les composants clés des DBI-SALA® Verrouillage intelligent Dispositif autorétractable 3MMC (Dispositif autorétractable). Les Verrouillage intelligent Dispositif autorétractable sont des lignes de vie à câble ou à corde (A) enroulées sur un tambour qui se rétractent dans un boîtier en nylon (B). Elles sont suspendues à un ancrage supérieur par un mousqueton (C) fixé à travers un œil pivotant (D) sur le dessus du dispositif autorétractable. Un crochet à ressort à verrouillage automatique (E) situé à l'extrémité de la ligne de vie se fixe au point d'attache antichute désigné d'un harnais de sécurité complet. Une butée (F) protège le câble en acier et les ferrules du crochet à ressort contre toute abrasion et corrosion.


La figure 1 illustre les modèles de Verrouillage intelligent Dispositif autorétractable couverts par ce manuel d'utilisation. Les types de dispositifs autorétractables offerts sont les suivants :

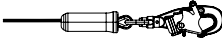
- **Longe autorétractable (figure 2A) :** Les longues autorétractables conviennent aux applications où la longe est fixée au-dessus de la tête, la ligne de vie demeure généralement verticale durant l'utilisation et la ligne de vie commencera à se déployer au début de la chute.
- **Longe autorétractable pour bord d'attaque (figure 2B) :** Les longues autorétractables pour bord d'attaque conviennent aux applications où la ligne de vie demeure généralement horizontale durant l'utilisation et où la chute libre est limitée à 1,5 m (5 pi). Les longues autorétractables pour bord d'attaque possèdent un amortisseur de choc intégré (G) ou tout un composant similaire, dont l'objectif est de supporter la charge d'impact de la ligne de vie sur un bord tranchant ou abrasif durant l'arrêt de la chute, et de minimiser les forces d'arrêt de chute sur l'utilisateur.

**Arc électrique :** Les modèles de dispositifs autorétractables créés pour résister aux « arcs électriques » répondent aux exigences des essais de la norme F887 de l'ASTM et sont conçus pour être utilisés dans des milieux où il existe un risque d'arc électrique (explosion électrique).

**Table 1 – Spécifications**

### Spécifications des composants :

 Moitiés du boîtier	Matériau
9513609 + 9513622	Nylon – longues autorétractables de 6 m (20 pi) et 9 m (30 pi), longues autorétractables pour bord d'attaque de 6 m (20 pi)
9513638 + 9513645	Nylon – longues autorétractables de 10,7 m (35 pi) et 15 m (50 pi), longues autorétractables pour bord d'attaque de 9 m (30 pi)

 Ligne de vie	Description	Crochet
9501479 + 9502194	Câble en acier galvanisé de 4,76 mm (3/16 po), crochet à ressort pivotant en alliage d'acier autoverrouillable avec indicateur.	9502194
9501613 + 2100044	Câble en acier inoxydable de 4,76 mm (3/16 po), crochet à ressort pivotant en acier inoxydable autoverrouillable avec indicateur.	2100044
9501087 + 1246514	Câble en acier galvanisé de 5,56 mm (7/32 po), amortisseurs de choc EZ-Stop doté d'un crochet à ressort pivotant en alliage d'acier autoverrouillable avec indicateur.	9502194
3500076 + 9502194	Corde Vectran de 6,35 mm (1/4 po), crochet standard pivotant en alliage d'acier à blocage automatique avec indicateur.	9502194
3500075 + 9502194	Corde gainée à âme en Technora/Polyester avec Kevlar de 5,5 mm (7/32 po), crochet à ressort pivotant en alliage d'acier autoverrouillable avec indicateur.	9502194

Crochet	Description	Matériau	Capacité de la clavette	Taille de l'étranglement
9502194	Crochet à ressort autoverrouillable pivotant avec indicateur d'impact	Acier zingué	16 kN (3 600 lb)	1,9 cm (0,75 po)
2100044	Crochet à ressort autoverrouillable pivotant avec indicateur d'impact	Acier inoxydable	16 kN (3 600 lb)	1,9 cm (0,75 po)
2000112	Mousqueton	Alliage d'acier	16 kN (3 600 lb)	1,75 cm (0,69 po)
2000127	Mousqueton	Acier inoxydable	16 kN (3 600 lb)	1,75 cm (0,69 po)

#### Résistance à la traction de la ligne de vie :

9501479 – acier galvanisé d'un diam. de 3/16 – Résistance min. à la traction 18,7 kN (4 200 lb)  
 9501613 – acier inoxydable d'un diam. de 3/16 – Résistance min. à la traction 16,0 kN (3 600 lb)  
 9501087 – acier galvanisé d'un diam. de 7/32 – Résistance min. à la traction 24,9 kN (5 600 lb)  
 3500076 – corde en Vectran d'un diam. de 7/32 – Résistance min. à la traction 28,4 kN (6 375 lb)  
 3500075 – Corde en Technora/polyester/Kevlar d'un diam. de 7/32 – Résistance min. à la traction 24,4 kN (5 500 lb)

**Table 1 – Spécifications****Spécifications de rendement :**

<b>Spécifications de la longe autorétractable (vertical)</b>	<b>CSA</b>
<b>Plage de capacités</b>	59 à 141 kg (130 à 310 lb)
<b>Force d'arrêt maximale</b>	6 kN (1 350 lb)
<b>Force d'arrêt moyenne</b>	4 kN (900 lb)
<b>Distance d'arrêt maximale déclarée<sup>1</sup></b>	1,2 m (47 po)
<b>Dégagement de chute minimal requis<sup>1</sup></b>	1,2 m (4 pi)
<b>Chute libre maximale<sup>2</sup></b>	0,6 m (2 pi)

<b>Spécifications de la LVAR-BP (horizontal)</b>	<b>CSA</b>
<b>Plage de capacités</b>	59 à 141 kg (130 à 310 lb)
<b>Force d'arrêt maximale</b>	6 kN (1 350 lb)
<b>Force d'arrêt moyenne</b>	3,8 kN (860 lb)
<b>Distance d'arrêt maximale déclarée<sup>1</sup></b>	Voir la « Section 2.8 – CSA Z259.2.2-17 Calcul du déploiement »
<b>Dégagement de chute minimal requis<sup>1</sup></b>	1,8 m (6 pi)
<b>Chute libre maximale<sup>2</sup></b>	0,6 m (2 pi)
<b>Chute libre maximale<sup>3</sup> – Bord d'attaque</b>	1,5 m (5 pi)

1 – Présume que la longe autorétractable est montée directement au-dessus de l'utilisateur final (en hauteur).

2 – La longe autorétractable doit être montée au-dessus de l'anneau en D de l'utilisateur.

3 – Mesuré à partir de l'anneau en D de l'utilisateur jusqu'à la surface de marche / de travail. Consultez le tableau des dégagements de chute pour obtenir plus de détails.

## 1.0 APPLICATIONS

- 1.1 OBJECTIF :** Dispositif autorétractable Les Dispositif autorétractable sont conçus en tant que composants d'un système antichute individuel. La figure 1 représente les Dispositif autorétractable couverts par ce manuel d'utilisation. Ils peuvent être utilisés dans la plupart des situations nécessitant le maintien de la mobilité du travailleur et une protection antichute (p. ex. travaux d'inspection, construction générale, travaux d'entretien, production pétrolière, travail en espace confiné, etc.).
- 1.2 NORMES :** Votre Dispositif autorétractable est conforme à la ou aux norme(s) nationale(s) ou régionale(s) identifiée(s) sur la couverture de ces instructions. Reportez-vous aux exigences locales, étatiques et fédérales (OSHA) régissant la sécurité au travail pour obtenir de plus amples renseignements concernant la protection antichute personnelle.
- 1.3 FORMATION :** Ce dispositif doit être utilisé par des personnes formées à sa mise en place et à son utilisation. L'utilisateur est tenu de se familiariser avec ces instructions et de suivre une formation pour entretenir et utiliser correctement les équipements. L'utilisateur doit également connaître les caractéristiques de fonctionnement, les limites d'application et les conséquences d'une utilisation inappropriée de cet équipement.
- 1.4 LIMITES D'UTILISATION :** Avant d'installer ou d'utiliser cet équipement, il est important de toujours tenir compte des limites suivantes :
- **Capacité :** Dispositif autorétractable Les DAR sont utilisés par une personne dont le poids combiné (vêtements, outils, etc.) respecte la *plage de capacités* spécifiée au tableau 1 pour votre ou vos normes. Assurez-vous que la valeur nominale des composants dans votre système correspond à la capacité appropriée de votre application.
  - **Ancrage :** Les ancrages sélectionnés pour les systèmes antichute doivent pouvoir résister à des charges statiques exercées dans les directions autorisées par le dispositif d'au moins :
    1. 22,2 kN (5 000 lb) pour les ancrages non homologués, ou
    2. Le double de la force d'arrêt maximale pour les ancrages homologués.Lorsque plusieurs systèmes antichute sont amarrés à un ancrage, les forces indiquées aux points (1) et (2) ci-dessus doivent être multipliées par le nombre de dispositifs amarrés.

**EN VERTU DES NORMES OSHA 1926.502 ET 1910.140 :** Les ancrages utilisés pour la fixation d'un système antichute personnel doivent être indépendants de tout ancrage utilisé pour soutenir ou suspendre les plateformes et doivent pouvoir supporter au moins 5 000 lb par utilisateur raccordé, ou être conçus, installés et utilisés comme composants d'un système antichute personnel complet dont le facteur minimal de sécurité est de deux et qui est supervisé par une personne qualifiée.

- **Vitesse de blocage :** les situations sans trajectoire de chute non obstruée doivent être évitées. Lorsqu'une personne travaille dans un espace réduit ou étroit, il est possible qu'en cas de chute, le corps ne puisse pas atteindre une vitesse suffisante pour que le Dispositif autorétractable se bloque. De même, il est possible qu'une personne travaillant sur un matériau instable, comme du sable ou du grain, ne puisse pas chuter à une vitesse suffisante pour bloquer le dispositif autorétractable. Une trajectoire de chute non obstruée est nécessaire pour que le dispositif autorétractable se bloque normalement.
- **Chute libre :** L'usage approprié d'un dispositif autorétractable (DAR) au-dessus de la tête minimisera la distance en chute libre. Dans le but de prévenir tout accroissement de la distance en chute libre, suivre les instructions ci-dessous :
  - Ne pas pincer, faire de nœuds ou empêcher d'une manière ou d'une autre la ligne de vie de se rétracter ou de rester tendue.
  - Éviter tout relâchement de la ligne de vie du DAR.
  - Ne pas travailler au-dessus du niveau d'ancrage.
  - Ne pas rallonger les dispositifs autorétractables (DAR) en les fixant à une longe ou un composant similaire sans consulter 3M.

Pour toute information spécifique au produit, relative aux chutes libres et aux valeurs de distance d'arrêt, se reporter au Tableau 1 de cette instruction.

- **Chutes oscillantes :** Les chutes avec mouvement de balancier surviennent lorsque le point d'ancrage n'est pas directement au-dessus du point où la chute s'est produite. La force d'impact sur un objet lors d'une chute oscillante peut entraîner des blessures graves (voir la Figure 3A). Vous pouvez réduire les chutes oscillantes en travaillant aussi près que possible de l'ancrage.
- **Distance d'arrêt :** Les Figures 3B et 3C illustrent la distance d'arrêt. Le tableau 1 spécifie le *dégagement minimum en cas de chute* (DC) pour les chutes survenant en position debout et où le dispositif autorétractable est ancré directement au-dessus de la tête (Figure 3B). Les chutes à partir d'une position agenouillée ou accroupie exigeront 1 m (3 pi) de distance d'arrêt supplémentaire. Lors d'une chute oscillante (Figure 3C), la hauteur verticale totale de la chute de l'utilisateur sera supérieure à celle d'une chute verticale directement sous le point d'ancrage et peut exiger une distance d'arrêt supplémentaire. La Figure 4 et le tableau qui l'accompagne définissent le rayon de travail maximal (C) pour les diverses hauteurs d'ancrage de la ligne de vie auto-rétractable (A) et les distances d'arrêt (B). La zone de travail recommandée se limite au secteur situé dans le rayon maximal de travail.
- **Dangers :** L'utilisation de cet équipement dans des zones présentant des dangers environnants peut exiger des précautions additionnelles afin d'éviter que l'utilisateur ne se blesse ou que l'équipement ne subisse des dommages. Les risques peuvent comprendre, notamment et sans limitation : température élevée, produits chimiques caustiques, environnements corrosifs, lignes électriques à haute tension, gaz explosifs ou toxiques, machinerie mobile ou matériaux suspendus pouvant tomber et entrer en contact avec l'utilisateur ou le système antichute. Éviter de travailler dans les endroits où la corde d'assurance risque de se croiser ou se mêler avec celle d'un autre ouvrier. Éviter de travailler dans un endroit où un objet pourrait tomber et toucher la corde d'assurance; ceci pourrait provoquer une perte d'équilibre ou endommager la corde d'assurance. Ne pas permettre à la corde d'assurance de passer sous les bras ou entre les jambes.
- **Arêtes tranchantes :** Ne pas travailler dans des endroits où la corde d'assurance risque d'entrer en contact avec des rebords tranchants non protégés, ou de s'éroder contre ces derniers. Dans les cas où il est impossible d'éviter tout contact avec une arête vive, couvrir cette arête avec un matériel protecteur.

## 2.0 UTILISATION

- 2.1 PLAN DE PROTECTION CONTRE LES CHUTES ET DE SAUVETAGE :** L'employeur doit avoir mis en place un plan de protection antichute et de sauvetage qui respecte les exigences de toutes les normes et réglementations applicables. Ce plan doit donner les lignes directrices et les exigences à suivre pour le programme de protection contre les chutes géré par un employeur, y compris les politiques, les tâches et la formation, les procédures de protection antichute, l'élimination et le contrôle des risques de chute, les procédures de sauvetage, les investigations sur les incidents et l'évaluation de l'efficacité du programme.

- 2.2 FRÉQUENCE D'INSPECTION :** Les dispositifs autorétractables doivent être inspectés par l'utilisateur (personne autorisée<sup>1</sup> ou sauveteur<sup>2</sup>) avant chaque utilisation (voir le tableau 3). De plus, des inspections devront être menées régulièrement par une personne qualifiée<sup>3</sup> autre que l'utilisateur. La CSA exige aussi une revalidation périodique des produits réalisée par un centre de service après-vente agréé. Une utilisation dans des conditions de travail extrêmes (environnement hostile, utilisation prolongée, etc.) peut nécessiter des inspections par une personne qualifiée et des revalidations du produit plus fréquentes. La personne qualifiée utilisera le *Programme d'inspection* (tableau 2) pour déterminer les intervalles d'inspection et de revalidation appropriés. Les procédures d'inspection sont décrites dans le *Registre d'inspection et d'entretien* (tableau 3). Les résultats de l'inspection faite par une personne qualifiée doivent être consignés dans le *Registre d'inspection et d'entretien* ou consignés dans le système d'identification par radiofréquence (RFID).
- 2.3 FONCTIONNEMENT NORMAL :** L'utilisation normale permettra à la corde d'assurance de se déployer et se rétracter instantanément et sans relâchement pendant que l'ouvrier se déplace à des vitesses normales. En cas de chute, un système de freinage à détection de vitesse s'active, arrêtant la chute et absorbant la majorité de l'énergie générée. Éviter tout mouvement brusque ou rapide pendant une utilisation normale afin de prévenir un blocage du dispositif autorétractable. Pour les chutes qui surviennent alors que la corde est déjà presque complètement déroulée, un système de corde d'assurance de réserve est incorporé afin de réduire les forces antichute.
- 2.4 SUPPORT POUR LE CORPS :** Seul un harnais de sécurité complet doit être utilisé avec le Dispositif autorétractable. Le point de raccordement du harnais doit être situé au-dessus du centre de gravité de l'utilisateur. Ne pas utiliser de ceinture de travail avec le Dispositif autorétractable. Si une chute se produit lors de l'emploi d'une ceinture de travail, celle-ci peut provoquer un déclenchement accidentel ou un traumatisme corporel causé par le harnais de maintien.
- 2.5 COMPATIBILITÉ DES COMPOSANTS :** Sauf indication contraire, l'équipement 3M est destiné à être utilisé uniquement avec des composants et des sous-systèmes approuvés par 3M. Les substitutions ou les remplacements par des composants ou des sous-systèmes non approuvés peuvent affecter la compatibilité de l'équipement ainsi que la sécurité et la fiabilité du système dans son ensemble.
- 2.6 COMPATIBILITÉ DES CONNECTEURS :** les connecteurs sont jugés compatibles avec les éléments de connexion lorsqu'ils ont été conçus pour travailler conjointement et de telle manière que leurs tailles et formes n'entraînent pas l'ouverture des mécanismes, quelle que soit leur orientation. Communiquer avec 3M pour toute question sur la compatibilité. Les connecteurs (crochets, mousquetons et dés d'accrochage) doivent pouvoir supporter une charge minimale de 22,2 kN (5 000 lb). Les connecteurs doivent être compatibles avec l'ancrage ou tout autre composant du système. N'utiliser aucun équipement non compatible. Les connecteurs non compatibles peuvent se décrocher accidentellement (voir la Figure 5). Les connecteurs doivent être compatibles en ce qui concerne leur taille, leur forme et leur résistance. Des crochets mousquetons et des mousquetons autobloquants sont nécessaires. Si le connecteur sur lequel se fixe le crochet à mousqueton ou les fixations du mousqueton est plus petit ou de forme irrégulière, celui-ci risque d'exercer une force sur le doigt du crochet à mousqueton ou du mousqueton (A). Cette force peut entraîner l'ouverture de la clavette (B), permettant ainsi au crochet à ressort ou au mousqueton de se désengager du point d'attache (C).
- 2.7 RACCORDEMENTS :** Les crochets à mousqueton et mousquetons utilisés avec cet équipement doivent être autobloquants. Assurez-vous que toutes les connexions sont compatibles en ce qui concerne leur taille, leur forme et leur résistance. N'utiliser aucun équipement non compatible. Assurez-vous que tous les connecteurs sont bien fermés et verrouillés. Les connecteurs 3M (crochets à mousqueton et mousquetons) sont conçus pour être utilisés uniquement selon les instructions propres à chacun des produits. Consulter la Figure 6 pour obtenir des exemples de connexions inappropriées. Ne pas connecter de crochet à mousqueton et mousqueton :
- à un dé d'accrochage auquel un autre connecteur est déjà fixé;
  - de manière à occasionner une charge sur le doigt. Les crochets mousquetons à ouverture large ne doivent pas être connectés à des anneaux en D de taille standard ou à d'autres objets semblables, au risque d'entraîner une charge sur le doigt si le crochet ou l'anneau en D se déforme ou pivote, sauf si le crochet mousqueton est équipé d'une clavette de 16 kN (3 600 lb) de capacité.
  - Dans un faux raccord, où la taille ou la forme des connecteurs à coupler n'est pas compatible et où, sans une confirmation visuelle, les connecteurs semblent complètement arrimés.
  - L'un à l'autre.
  - Directement à la sangle ou à la longe, ou à l'ancrage sous tension (à moins que les instructions du fabricant pour la longe et le connecteur n'autorisent une connexion de ce type).
  - À un objet dont la forme ou la dimension bloque la fermeture et le verrouillage du crochet standard ou du mousqueton, ou pourrait provoquer leur décrochage.
  - S'ils ne permettent pas au connecteur de s'aligner correctement alors qu'il est sous tension.

**Table 2 – Programme d'inspection**

Type d'utilité	Exemples d'applications	Conditions d'utilisation	ANSI/CSA		CSA
			Utilisateur	Personne qualifiée	Revalidation du produit
Rare à peu fréquent	Sauvetage et espace confiné, entretien d'usine	Bonnes conditions d'entreposage, usage intérieur ou peu fréquent à l'extérieur, température ambiante, environnements propres	Avant chaque utilisation	Annuelle	Au moins tous les 5 ans, mais pas plus longtemps que l'intervalle exigé par le fabricant.
Modéré à souvent	Transport, Construction résidentielle, services d'utilité publique, entrepôt	Conditions d'entreposage acceptables, services d'utilité intérieure et extérieure fréquente, toutes les températures, environnements propres ou poussiéreux	Avant chaque utilisation	Semi-annuelle à annuelle	Au moins tous les 2 ans, mais pas plus longtemps que l'intervalle exigé par le fabricant.
Très souvent à continuellement	Construction commerciale, pétrole et gaz, mine, fonderie	Conditions d'entreposage difficiles, usage extérieur prolongé ou continu, toutes les températures, environnement sale	Avant chaque utilisation	Trimestrielle à semi-annuelle	Au moins une fois par an, mais pas plus longtemps que l'intervalle exigé par le fabricant.

**Critères d'inspection de la CSA :**

- L'omission par le travailleur de faire une inspection avant chaque utilisation, ou l'omission de faire l'inspection avant utilisation, entraînera l'obligation d'une inspection réalisée par une personne qualifiée.
- L'omission par une personne qualifiée de faire les inspections aux intervalles appropriés, ou l'omission de l'inspection par une personne qualifiée, entraînera l'obligation d'une revalidation du produit ou de sa mise au rebut.
- La catégorie Type d'utilisation sera déterminée par une personne qualifiée.
- Les DAR jugés non réparables, ou les DAR conçus de façon à ce qu'une inspection interne les rende inutilisables, ne sont pas assujettis à la revalidation des produits. Ces dispositifs autorétractables auront une durée utile différente et d'autres exigences d'inspection s'appliqueront, comme il est indiqué dans les directives du fabricant.

**1 Personne autorisée :** Une personne affectée par l'employeur et chargée d'exécuter des travaux à un emplacement qui l'expose à un danger de chute.

**2 Sauveteur :** Toute personne autre que la personne secourue effectuant un sauvetage assisté à l'aide d'un système de sauvetage.

**3 Personne qualifiée :** Personne désignée par l'employeur pour être responsable de la supervision, de la mise en œuvre et de la surveillance du programme de protection contre les chutes géré par l'employeur qui, du fait de ses connaissances et de sa formation, est capable d'identifier, d'évaluer et d'éliminer les risques de chute potentiels et existants, et qui est autorisée par l'employeur à adopter des mesures correctives immédiates pour ces risques.



**2.8 DISPOSITIFS AUTORÉTRACTABLES POUR BORD D'ATTAQUE :** Les dispositifs autorétractables couverts par ce manuel d'utilisation comprennent les dispositifs autorétractables pour bord d'attaque. Consulter la figure 1 pour les modèles de dispositifs autorétractables pour bord d'attaque spécifiques. Les dispositifs autorétractables pour bord d'attaque ont été mis à l'essai dans le cadre d'une utilisation horizontale et de chutes par-dessus un bord en acier sans bavure. Les dispositifs autorétractables pour bord d'attaque peuvent être utilisés dans des situations où une chute peut se produire par-dessus un bord en acier comme ceux qu'on retrouve sur les formes en acier ou les plaques de métal.

**Précautions à prendre en présence d'un bord d'attaque :** Observer les précautions suivantes lors de l'utilisation des dispositifs autorétractables pour bord d'attaque :

- Les utilisateurs pesant plus de 140 kg (310 lb) ne doivent pas utiliser ce dispositif dans le cadre d'applications comportant un bord d'attaque.
- L'angle de déviation admissible sur la portion ligne de vie du dispositif autorétractable pour bord d'attaque au niveau du bord où une chute peut se produire (mesuré entre les deux côtés formés par la déviation de la ligne de vie) doit être d'au moins de 90 degrés (voir la figure 7).
- Le point d'ancrage devra se situer à la même hauteur que le bord à partir duquel une chute pourrait se produire ou au-dessus de ce bord. Les points d'ancrage se trouvant sous le bord sont dangereux parce qu'ils forcent une redirection de la ligne de vie à un angle plus aigu que 90 degrés (voir figure 7).
- Consulter la section 1 pour connaître les limites de la zone de travail permise par rapport au point d'ancrage, incluant des facteurs comme la chute avec mouvement de balancier et l'abrasion du cordage sur le bord, ainsi que l'utilisation d'un unique point d'ancrage par rapport aux ancrages qui permettent un mouvement horizontal (p. ex. ligne de vie horizontale ou rail horizontal).
- Les dispositifs autorétractables pour bord d'attaque peuvent être utilisés avec une ligne de vie horizontale ou un rail horizontal, mais uniquement de la façon décrite dans les directives de la ligne de vie horizontale ou du rail horizontal.
- Ne pas travailler du côté éloigné d'une ouverture qui est opposée au point d'ancrage du dispositif autorétractable pour bord d'attaque.
- En cas de chute par-dessus un bord, des mesures de sauvetage spéciales peuvent être requises.
- Pendant la planification d'une application comportant un bord d'attaque, veiller à ce que les paramètres de la zone de travail soient dans les limites de la distance de recul minimale, de la distance maximale de chute libre et du dégagement de chute minimal requis lors d'une chute par-dessus un bord, comme l'indique l'étiquette du dispositif autorétractable pour bord d'attaque.
- Pour le raccordement en ligne droite, le dispositif autorétractable à enroulement doit uniquement être attaché à un point d'ancrage solide s'il est utilisé dans le cadre d'une application comportant un bord d'attaque.

**Calcul du dégagement de chute en présence d'un bord d'attaque :** Le dégagement de chute minimal requis lors d'une chute par-dessus un bord peut être calculé en fonction de la distance de recul et de la distance le long du bord de votre application comportant un bord d'attaque (voir la figure 8). Pour calculer le dégagement de chute à partir du tableau de la figure 8 :

1. Choisir la valeur la plus proche de votre distance de recul (A) parmi les en-têtes de la rangée de gauche.
2. Choisir la valeur la plus proche de votre distance de travail le long du bord (B) à partir des en-têtes de la colonne du haut. Les zones ombrées sans aucune valeur indiquent que la distance le long du bord est en dehors du rayon de travail sécuritaire de la distance de recul sélectionnée.
3. Le dégagement requis lors d'une chute par-dessus un bord (C) est représenté par la valeur qui apparaît à l'intersection de la rangée sélectionnée à l'étape 1 et de la colonne sélectionnée à l'étape 2.
4. Répéter les étapes précédentes pour chaque bord par-dessus lequel le travailleur pourrait potentiellement tomber afin de déterminer la disposition sécuritaire de l'ancrage et le rayon de travail permis. **CSA Z259.2.2-17 Calcul du déploiement :**

**Déploiement :** Le déploiement est égal au facteur de déploiement ( $D_m$ ) fois la distance de chute libre ( $h$ ) pour le poids maximal d'un travailleur (kg) ou au déploiement en fonction des résultats des essais de chute dynamiques spécifiés dans la norme CSA Z259.17, alinéa 7.2, la valeur la plus grande prévalant.

- Le facteur de déploiement pour un poids de 141 kg ( $D_{141}$ ) = 0,7
- Lorsqu'un dispositif autorétractable est ancré au-dessus de la tête, la distance de déploiement maximale = 1,2 m (47 pi)
- Lorsque l'ancrage d'un dispositif autorétractable pour bord d'attaque permet la chute libre, la distance de déploiement maximale = 1,8 m (6 pi)



### 3.0 Installation

- 3.1 PLANIFICATION :** Planifier l'installation de votre système de protection contre les chutes avant de commencer à travailler. Tenir compte de tous les facteurs qui pourraient affecter votre sécurité avant, pendant et après une chute. Tenez compte de toutes les exigences et restrictions définies dans le présent manuel.
- 3.2 ANCRAGE :** La figure 9 montre les connecteurs d'ancrage traditionnels pour la ligne de vie autorétractable. L'ancrage (A) doit être positionné immédiatement au-dessus afin de réduire les risques de chute libre et de chute avec mouvement de balancier (voir section 1). Choisir un point d'ancrage rigide capable de supporter les charges statiques définies à la section 1.4. L'œil pivotant de la ligne de vie autorétractable est doté d'un mousqueton (B). Fixer le mousqueton directement sur la structure d'ancrage (tige d'armature, cornière, etc.), ou directement sur un adaptateur de fixation (C) ou un point d'ancrage (D).
- 3.3 RACCORDEMENT DU HARNAIS :** Un harnais de sécurité complet est exigé pour toute application antichute. Fixer le crochet à ressort (A) de la ligne de vie autorétractable à l'anneau en D dorsal (B) du harnais de sécurité complet. (Voir figure 10.) Dans certaines situations (p. ex. pour monter dans une échelle), il peut être utile de fixer le système antichute au dé d'accrochage sternal. Consultez les directives du fabricant du harnais pour obtenir plus de précisions concernant l'emploi des points de connexion du harnais.

### 4.0 FONCTIONNEMENT

Les nouveaux utilisateurs ou les utilisateurs occasionnels de Verrouillage intelligent Dispositif autorétractable (Dispositif autorétractable) doivent passer en revue la section « Renseignements de sécurité » du début de ce manuel avant d'utiliser le Dispositif autorétractable.

Les utilisateurs doivent disposer d'un plan de sauvetage écrit et des moyens nécessaires pour le mettre en œuvre lorsqu'ils utilisent le matériel.

- 4.1 AVANT CHAQUE UTILISATION :** Avant chaque utilisation de ce matériel de protection contre les chutes, l'inspecter soigneusement pour s'assurer qu'il est en bon état de fonctionnement. Vérifier la présence de pièces usées ou endommagées. Veiller à ce que tous les boulons soient en place et bien serrés. Tirer sur la ligne de vie et la laisser s'enrouler lentement pour s'assurer qu'elle se rétracte adéquatement. Si la rétraction est hésitante, l'unité doit être identifiée comme « INUTILISABLE » et doit être retournée à un centre de service autorisé aux fins d'entretien. Vérifier si la ligne de vie est entaillée, effilochée, brûlée, écrasée ou attaquée par la corrosion. Tirer brusquement sur la ligne de vie pour vérifier le bon fonctionnement du mécanisme de blocage. Pour plus de détails sur les procédures d'inspection, reportez-vous à la Section 5. Ne pas utiliser le dispositif si l'inspection révèle des conditions dangereuses.
- 4.2 APRÈS UNE CHUTE :** Tout équipement ayant été soumis aux forces d'arrêt d'une chute ou qui présente des signes de dommage correspondant aux effets des forces d'arrêt de chute décrits à la Section 5 doit être immédiatement mis hors service, identifié INUTILISABLE, inspecté et réparé de la façon indiquée aux sections 5 et 6.
- 4.3 SUPPORT POUR LE CORPS :** Lorsqu'une LVAR 3M est utilisée, un harnais de sécurité complet doit être porté. Pour la protection antichute générale, connectez-la au dé d'accrochage dorsal. Dans certaines situations (p. ex. pour monter dans une échelle), il peut être utile de fixer le système antichute au dé d'accrochage sternal. Consultez les directives du fabricant du harnais pour obtenir plus de précisions concernant l'emploi des points de connexion du harnais.
- 4.4 RACCORDEMENTS :** Lorsqu'un crochet est utilisé pour le raccordement, s'assurer qu'aucun délogement ne peut se produire (voir la figure 5). Ne pas utiliser de crochet ou de connecteurs qui ne se referment pas complètement sur l'objet raccordé. Ne pas utiliser de crochets à ressort sans dispositif de verrouillage. La surface de fixation doit respecter les exigences de résistance du point d'ancrage énoncées dans la Section 2.2. Se conformer aux instructions du fabricant fournies avec chaque composant de l'équipement.
- 4.5 FONCTIONNEMENT :** Inspecter la longe autorétractable conformément aux indications de la section 5.0. Fixer la ligne de vie autorétractable à un point d'ancrage ou à un connecteur d'ancrage approprié (voir indications précédentes). Raccorder le crochet à ressort autoverrouillable situé à l'extrémité de la ligne de vie à l'anneau en D dorsal du harnais de sécurité complet (voir figure 10). S'assurer que la taille, la forme et la résistance des raccords sont compatibles. Assurez-vous que le crochet est bien refermé et verrouillé. Lorsque le travailleur est rattaché au dispositif, il est libre de se déplacer à une vitesse normale à l'intérieur de la zone de travail recommandée. Lors des opérations de connexion et de déconnexion, un câble de guidage pourrait être nécessaire pour sortir ou rétracter la LVAR. Un câble stabilisateur peut également être employé pour empêcher la rétraction non contrôlée de la ligne de vie dans la longe autorétractable. Selon l'environnement et les conditions du site de travail, il pourrait être nécessaire de fixer l'extrémité libre du câble de guidage afin d'éviter qu'elle ne gêne de l'équipement ou de la machinerie ou ne s'y emmêle.

### 5.0 Inspection

- 5.1 ÉTIQUETTE À IRF :** Le Dispositif autorétractable est doté d'une étiquette à identification par radiofréquences (IRF) (voir la figure 12). L'étiquette à IRF peut être utilisée conjointement avec le dispositif de lecture manuel et le portail Web pour simplifier l'inspection et le contrôle de l'inventaire, et pour fournir des dossiers sur votre équipement de protection antichute. Pour plus de détails, communiquer avec un représentant du service à la clientèle de 3M (voir au verso). Pour télécharger les données vers votre registre en ligne, suivre les directives fournies avec le lecteur manuel ou sur le portail Web.
- 5.2 FRÉQUENCE D'INSPECTION :** Le Verrouillage intelligent Dispositif autorétractable doit être inspecté en fonction des intervalles définis dans la « section 2.2 – Fréquence d'inspection ». Les procédures d'inspection sont décrites dans le « Registre d'inspection et d'entretien » (tableau 3).

Les conditions de travail extrêmes (les environnements difficiles, une utilisation prolongée, etc.) peuvent exiger une augmentation de la fréquence des inspections.

- 5.3 CONDITIONS DANGEREUSES OU ÉTATS DÉFECTUEUX :** Si l'inspection révèle l'existence conditions défectueuses dangereuses, retirer immédiatement le Dispositif autorétractable du service, le marquer comme « INUTILISABLE », puis l'envoyer à un centre de service autorisé aux fins de réparation.

*Seules 3M ou les parties autorisées par écrit peuvent réparer cet équipement.*

**5.4 DURÉE UTILE DU PRODUIT :** La durée utile des Dispositif autorétractable de 3M est déterminée par les conditions de travail et l'entretien. Tant que le système satisfait aux critères d'inspection, il peut être utilisé.

## **6.0 ENTRETIEN, SERVICE et ENTREPOSAGE**

**6.1 NETTOYAGE :** Les procédures de nettoyage du Dispositif autorétractable sont les suivantes :

- Nettoyez régulièrement l'extérieur du carter de la LVAR avec une solution d'eau et de savon doux. Positionner le Dispositif autorétractable de manière à faire écouler le surplus d'eau. Nettoyer les étiquettes au besoin.
- Nettoyez la LVAR elle-même avec une solution d'eau et de savon doux. Rincer et sécher complètement à l'air. Ne pas soumettre le matériel à un séchage accéléré à la chaleur. Une accumulation excessive de saletés, de peinture ou autre peut empêcher la ligne de vie de se rétracter entièrement dans son boîtier et causer ainsi un danger potentiel de chute libre. Si des accumulations excessives sont observées, remplacez la LVAR.

**6.2 ENTRETIEN :** Les procédures additionnelles d'entretien et de réparation doivent être effectuées par un centre de service agréé. Ne tentez pas de démonter la LVAR ou de graisser quelque composant que ce soit du dispositif.

**6.3 ENTREPOSAGE ET TRANSPORT :** Entreposer et transporter le Dispositif autorétractable dans un environnement frais, sec et propre, à l'abri de la lumière directe du soleil. Éviter les zones présentant des vapeurs chimiques. Après un entreposage prolongé, inspectez entièrement la LVAR.

## **7.0 Étiquettes**

La figure 18 illustre les étiquettes sur les Verrouillage intelligent Dispositif autorétractable et leurs emplacements. Toutes les étiquettes doivent être présentes sur le Dispositif autorétractable. Si elles ne sont pas parfaitement lisibles, les étiquettes doivent être remplacées. Voici la définition des pictogrammes utilisés sur les étiquettes :

1	Lire les instructions d'utilisation situées sous l'amortisseur de ligne de vie
2	Ne pas charger le boîtier du DAR sur une arête.
3	Capacité de 1 personne (Voir l'endos de l'étiquette pour la plage de poids)
4	LVAR – Pas pour un bas de pente – Ne pas utiliser sur une arête.
5	Longe autorétractable pour bord d'attaque – Convenant aux bords d'attaque – Peut être utilisé sur un rebord.

**Table 3 – Registre d’inspection et d’entretien**

<b>Numéro(s) de série :</b>		<b>Date d’achat :</b>	
<b>Numéro de modèle :</b>		<b>Date de première utilisation :</b>	
<b>Inspecté par :</b>		<b>Date d’inspection :</b>	
<b>Composant :</b>	<b>Inspection :</b>	<b>Avant chaque utilisation</b>	<b>Personne compétente</b>
LVAR (figure 13).	Vérifiez la présence de boulons desserrés et de pièces faussées ou endommagées.	<input type="checkbox"/>	<input type="checkbox"/>
	Inspectez le carter (A) pour y déceler la présence de déformations, de fissures ou d'autres dommages.	<input type="checkbox"/>	<input type="checkbox"/>
	Inspectez l'œil à émerillon (B) pour y déceler la présence de déformations, de fissures ou d'autres dommages. L'œil à émerillon doit être solidement fixé sur la LVAR mais pivoter librement.	<input type="checkbox"/>	<input type="checkbox"/>
	La ligne de vie (D) doit pouvoir sortir et se rétracter à fond, sans hésitation ni relâchement.	<input type="checkbox"/>	<input type="checkbox"/>
	Assurez-vous que le dispositif se bloque lorsque la ligne de vie est tirée brusquement. Le blocage doit être ferme, sans glissement.	<input type="checkbox"/>	<input type="checkbox"/>
	Les étiquettes doivent être présentes et parfaitement lisibles (voir la figure 18).	<input type="checkbox"/>	<input type="checkbox"/>
	Inspecter le matériel au complet afin d’y déceler toute trace de corrosion.	<input type="checkbox"/>	<input type="checkbox"/>
Crochet mousqueton à pivot et indicateur d’impact (figure 14).	Inspectez le crochet mousqueton à pivot pour y déceler des signes de dommages et de corrosion et pour vous assurer de son bon fonctionnement. Le pivot doit tourner librement. Inspectez l’indicateur d’impact. Si la bande rouge est affichée (mode indiqué), une charge de choc s’est produite, et la LVAR doit être mise hors service et inspectée. N’essayez pas de réinitialiser l’indicateur d’impact. Envoyez la LVAR à un centre de service agréé pour réparation. REMARQUE : Le pivot ne tournera pas librement si l’indicateur d’impact est en mode indiqué.	<input type="checkbox"/>	<input type="checkbox"/>
Ligne de vie à câble métallique (figure 15).	Inspecter le câble en acier afin de déceler toutes coupures, plis (A), fils brisés (B), déformations en panier (C), projections de soudure, corrosion (D), surfaces en contact avec des produits chimiques et zones d’abrasion grave. Faire glisser la butée du câble (E) vers le haut et inspecter les ferrules (F) pour déceler toute fissure ou dommage, puis inspecter le câble en acier pour déceler toute corrosion ou fils brisés. Remplacez le câble métallique s’il compte au moins six fils brisés répartis de façon aléatoire dans un pas, ou au moins trois fils brisés dans le toron d’un pas. Un « pas » représente la longueur de câble métallique requise pour qu’un toron (les groupes de fils plus larges) effectue une révolution ou une torsade le long du câble. Remplacer le câble en acier s’il compte des fils brisés à moins de 25 mm (1 po) des bagues.	<input type="checkbox"/>	<input type="checkbox"/>
	Avec la butée du câble vers le haut, dérouler et inspecter l’étiquette des directives d’utilisation (G). L’étiquette doit être présente et parfaitement lisible (voir la figure 18).	<input type="checkbox"/>	<input type="checkbox"/>
	Inspecter la section de la ligne de vie de réserve. Si une chute a été arrêtée grâce à la quasi-totalité de la ligne de vie, la ligne de vie de réserve peut avoir été déployée. Tirez entièrement la ligne de vie de la LVAR. Si une bande rouge (H) est visible, cela indique que la ligne de vie de réserve est entièrement sortie et que le système doit être vérifié par un centre de service après-vente agréé avant d’être réutilisé.	<input type="checkbox"/>	<input type="checkbox"/>
Ligne de vie en corde (figure 16).	Inspectez la corde pour y déceler abrasion (A), brins coupés (B), brins tirés (C), signes de fusion ou surfaces lustrées (D), compressions (E), diamètres non uniformes (F), décoloration ou dégradation (G). Faites glisser l’amortisseur de la ligne de vie (H) vers le haut, et recherchez les brins coupés.	<input type="checkbox"/>	<input type="checkbox"/>
	Avec la butée du câble vers le haut, dérouler et inspecter l’étiquette des directives d’utilisation (I). L’étiquette doit être présente et parfaitement lisible (voir la figure 18).	<input type="checkbox"/>	<input type="checkbox"/>
	Inspecter la section de la ligne de vie de réserve. Si une chute a été arrêtée grâce à la quasi-totalité de la ligne de vie, la ligne de vie de réserve peut avoir été déployée. Tirez entièrement la ligne de vie de la LVAR. Si une étiquette de mise en garde (J) est visible, cela indique que la ligne de vie de réserve a servi et que l’unité doit être entretenue par un centre de service autorisé avant d’être réutilisée.	<input type="checkbox"/>	<input type="checkbox"/>
Amortisseur de choc d’une longe autorétractable pour bord d’attaque (figure 17).	Sur les longues autorétractables pour bord d’attaque, vérifier que l’amortisseur de choc intégré n’a pas été activé. Un recouvrement ouvert (A) ou déchiré (B), une sangle sortie du recouvrement (C), déchirée (E) ou effilochée (E), une couture déchirée, etc. sont des signes que l’amortisseur de choc a été activé.	<input type="checkbox"/>	<input type="checkbox"/>
<b>Mesures correctives/entretien :</b>		Approuvé par :	
		Date :	
<b>Mesures correctives/entretien :</b>		Approuvé par :	
		Date :	
<b>Mesures correctives/entretien :</b>		Approuvé par :	
		Date :	
<b>Mesures correctives/entretien :</b>		Approuvé par :	
		Date :	
<b>Mesures correctives/entretien :</b>		Approuvé par :	
		Date :	
<b>Mesures correctives/entretien :</b>		Approuvé par :	
		Date :	

**Lea, comprenda y acate toda la información de seguridad incluida en estas instrucciones antes de utilizar el dispositivo autorretráctil (Self-Retracting Device, SRD). DE NO HACERLO, PUEDEN PRODUCIRSE LESIONES O LA MUERTE.**

**Estas instrucciones deben entregarse a los usuarios de este equipo. Conserve todas las instrucciones para consultas futuras.**

## Uso pretendido:

Este dispositivo autorretráctil ha sido diseñado para utilizarse como parte de un sistema personal completo de protección contra caídas.

3M no aprueba su uso para ninguna otra aplicación, incluidas, entre otras, la manipulación de materiales, las actividades de recreación o relacionadas con el deporte, u otras actividades no descritas en las Instrucciones para el usuario, ya que podrían ocasionarse lesiones graves o la muerte.

Este dispositivo debe ser utilizado únicamente por usuarios capacitados para aplicaciones en el lugar de trabajo.

## ADVERTENCIA

Este dispositivo autorretráctil forma parte de un sistema personal de protección contra caídas. Se prevé que todos los usuarios estén plenamente capacitados para instalar y utilizar con seguridad el sistema de protección contra caídas. **El uso incorrecto de este dispositivo puede ocasionar lesiones graves o la muerte.** Para llevar a cabo la selección, el funcionamiento, la instalación, el mantenimiento y la reparación de manera correcta, consulte las Instrucciones para el usuario y todas las recomendaciones del fabricante, consulte a su supervisor o comuníquese con los Servicios Técnicos de 3M.

- **Para reducir los riesgos asociados al trabajo con un SRD, que, de no evitarse, podrían ocasionar lesiones graves o la muerte:**
  - Antes de cada uso, inspeccione el SRD y verifique que se trabe y se retraiga de forma adecuada.
  - Si la inspección revela una condición insegura o defectuosa, retire el dispositivo de servicio, y repare o reemplácelo de acuerdo con las Instrucciones para el usuario.
  - En caso de que el SRD se haya sometido a una fuerza de impacto o de detención de caídas, retire inmediatamente el SRD de servicio y colóquelo una etiqueta que diga "NO USAR".
  - Asegúrese de que el anticaídas esté libre de cualquier tipo de obstrucción, incluyendo entre otras: enredos con maquinaria o equipos en movimiento (por ejemplo, el sistema de propulsión superior de una torre petrolera), otros trabajadores, usted mismo, objetos circundantes, o el impacto de objetos que estén por encima de su cabeza que pudieran caer sobre el anticaídas o sobre el trabajador.
  - Nunca permita que el anticaídas esté flojo. No ate ni anude el anticaídas.
  - Conecte las correas que estén libres (si las hubiera) del SRD montado al arnés a los elementos de parada de la eslinga del arnés.
  - No lo utilice en aplicaciones que tengan una obstrucción en la trayectoria de caída. Si se trabaja sobre superficies de materiales que se deslizan lentamente, como, por ejemplo, arena o granos, o en espacios cerrados o estrechos, puede que el trabajador no logre una velocidad suficiente para que el SRD se bloquee. Se requiere una trayectoria despejada para garantizar que el SRD se bloquee.
  - Evite movimientos repentinos o bruscos durante las operaciones normales de trabajo. Esto puede hacer que el dispositivo se bloquee.
  - Asegúrese de que los sistemas y sistemas secundarios de protección contra caídas ensamblados con componentes hechos por diferentes fabricantes sean compatibles y cumplan con los requisitos de las normas vigentes, entre ellas ANSI Z359 u otros códigos, normas o requisitos vigentes de protección contra caídas. Consulte siempre a una persona calificada o competente antes de usar estos sistemas.
  - (DISPOSITIVOS CON IMANES) Evite que estén demasiado cerca de dispositivos médicos implantados.
- **Para reducir los riesgos asociados con el trabajo en altura que, en caso de no evitarse, podrían ocasionar lesiones graves o muerte:**
  - Asegúrese de que su estado de salud y su condición física le permitan tolerar con seguridad todas las fuerzas asociadas con el trabajo en altura. Consulte a su médico si tiene dudas acerca de su capacidad para utilizar este equipo.
  - Nunca exceda la capacidad permitida del equipo de protección contra caídas.
  - Nunca exceda la distancia máxima de caída libre del equipo de protección contra caídas.
  - No utilice ningún equipo de protección contra caídas que no haya aprobado las inspecciones anteriores al uso u otras inspecciones programadas o si tiene inquietudes acerca del uso o de la idoneidad del equipo para su aplicación. Comuníquese con los Servicios Técnicos de 3M si tiene preguntas.
  - Algunas combinaciones de sistemas secundarios y componentes pueden interferir en el funcionamiento de este equipo. Utilice solamente conexiones compatibles. Consulte con 3M antes de utilizar este equipo junto con componentes o sistemas secundarios distintos de aquellos descritos en las Instrucciones para el usuario.
  - Tome precauciones adicionales al trabajar cerca de maquinaria en movimiento (por ejemplo, el sistema de propulsión superior de una torre petrolera), si hay riesgos eléctricos, temperaturas elevadas, peligros químicos, gases tóxicos o explosivos, bordes filosos o materiales elevados que pudieran caer sobre el equipo de protección contra caídas.
  - Utilice dispositivos para arco eléctrico (Arc Flash) o trabajos en caliente (Hot Works) cuando trabaje en ambientes con temperaturas elevadas.
  - Evite superficies y objetos que podrían lesionar al usuario o dañar el equipo.
  - Asegúrese de que haya una separación de caída adecuada al trabajar en alturas.
  - Nunca modifique ni altere el equipo de protección contra caídas. Solo 3M o las entidades autorizadas por escrito por 3M pueden hacer reparaciones en el equipo.
  - Antes de usar el equipo de protección contra caídas, asegúrese de que se haya implementado un plan de rescate que permita el rescate inmediato en caso de producirse un incidente de caída.
  - Si se produce un incidente de caída, busque atención médica de inmediato para la persona accidentada.
  - No utilice un cinturón corporal para las aplicaciones de detención de caídas. Utilice únicamente un arnés de cuerpo entero.
  - Trabaje en un lugar situado lo más directamente posible por debajo del punto de anclaje para minimizar la posibilidad de caídas por balanceo.
  - Si está en capacitación con este equipo, debe utilizar un sistema secundario de protección contra caídas de forma tal que el aprendiz no esté expuesto a un riesgo de caída accidental.
  - Lleve puesto siempre un equipo de protección personal apropiado cuando instale, utilice o revise el dispositivo/sistema.

## INFORMACIÓN DE SEGURIDAD SOBRE IMANES



**ADVERTENCIA:** (SRD CON IMANES) Para reducir los riesgos asociados al trabajo con SRD con imanes que, de no evitarse, podrían ocasionar lesiones graves o la muerte, evite la cercanía de dispositivos médicos implantados.

### **Algunos de los SRD que se describen en este manual de instrucciones tienen imanes permanentes potentes:**

- Los imanes permanentes son muy potentes. Es necesario manipularlos con cuidado para evitar lesiones personales, daños en la propiedad y en el imán.
- Los imanes permanentes son frágiles. Pueden romperse o astillarse durante un choque. Se deben utilizar guantes y gafas de protección al manipular estos imanes porque se pueden desprender astillas o se pueden soltar los espaciadores.
- Los potentes campos magnéticos de los imanes permanentes pueden dañar objetos como televisores, monitores de computadoras, tarjetas de crédito, tarjetas bancarias, computadoras, disquetes y otros dispositivos de almacenamiento de datos, cintas de video, relojes mecánicos, audífonos, altavoces y videograbadoras. Los marcapasos pueden dañarse o cambiar a "modo de prueba" en presencia de una fuerza magnética potente. Si se utiliza un marcapasos, debe mantenerse una distancia mínima de 0,3 m (1 ft).
- En ningún caso deben intentar cortar, serrar o perforar los imanes. El imán no solo no se romperá, sino que además generará un polvo que es muy inflamable. Los imanes nunca deben quemarse, ya que esto genera gases tóxicos.

Antes de utilizar este equipo, anote la información de identificación del producto de la etiqueta de identificación en la "Hoja de registro de inspección y mantenimiento" al final de este manual.

## DESCRIPCIÓN:

La Figura 2 identifica componentes clave de 3M™ DBI-SALA® Cerradura inteligente Dispositivo autorretráctil (Dispositivo autorretráctil (SRD)). Los Cerradura inteligente Dispositivo autorretráctil (SRD) son anticaídas de cable o cuerda enrolladas en tambor (A) que se retraen en una carcasa de nailon (B). Pueden colgar del anclaje a través de un mosquetón (C) sujeto a través del ojal de giro libre (D) en la parte superior del Dispositivo autorretráctil (SRD). El gancho de seguridad con cierre automático (E) que se encuentra en el extremo del anticaídas se sujeta a la conexión de detención de caídas designada en un arnés de cuerpo entero. El tope (F), protege el cable y los casquillos que evitan que el gancho de seguridad esté expuesto a la abrasión y la corrosión.


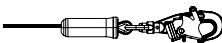
La Figura 1 define los modelos de Cerradura inteligente Dispositivo autorretráctil (SRD) incluidos en este manual de instrucciones. Los siguientes tipos de SRD están disponibles:

- **Eslinga autorretráctil (Figura 2A):** Las eslingas autorretráctiles (SRL, por sus siglas en inglés) son adecuadas para aplicaciones en las que la SRL se monta sobre la cabeza, el anticaídas permanece generalmente vertical durante el uso y el anticaídas dejará en claro las ventajas de una SRL en caso de una caída.
- **Eslinga autorretráctil con borde abierto (Figura 2B):** Las eslingas autorretráctiles con borde saliente (SRL-LE) son adecuadas para aplicaciones en las que el anticaídas permanece generalmente horizontal durante el uso y es posible que la caída libre esté limitada a 1,5 m (5 ft). Las SRL-LE tienen un absorbedor de energía (G) integral, o componente similar, para resistir la carga de impacto del anticaídas sobre un borde afilado o abrasivo durante la detención de caídas, y minimizar las fuerzas de detención de caídas en el usuario.

**Arco eléctrico:** Los modelos de SRD diseñados para arco eléctrico cumplen con los requisitos de prueba de la norma ASTM F887 y están diseñados para ambientes donde puede ocurrir un arco eléctrico (explosión eléctrica).

**Table 1 – Especificaciones**

### Especificaciones del componente:

	<b>Mitades de la carcasa</b>			
	<b>Material</b>			
	9513609 + 9513622 Nailon: SRL de 6 m (20 pies) y 9 m (30 pies), SRL-LE de 6 m (20 ft)			
	9513638 + 9513645 Nailon: SRL de 10,7 m (35 pies) y 15 m (50 pies), SRL-LE de 9 m (30 ft)			
	<b>Anticaídas</b>	<b>Descripción</b>	<b>Gancho</b>	
	9501479 + 9502194	Cable de acero galvanizado de 4,76 mm (3/16 in), gancho de seguridad giratorio de aleación de acero con cierre automático e indicador.	9502194	
	9501613 + 2100044	Cable de acero inoxidable de 4,76 mm (3/16 in), gancho de seguridad giratorio de acero inoxidable con cierre automático e indicador.	2100044	
	9501087 + 1246514	Cable de acero galvanizado de 5,56 mm (7/32 in), con absorbedor EZ-Stop de energía con gancho de seguridad giratorio de aleación de acero con cierre automático e indicador.	9502194	
	3500076 + 9502194	Cuerda Vectran de 6,35 mm (1/4 in), gancho de seguridad giratorio de aleación de acero con cierre automático e indicador.	9502194	
	3500075 + 9502194	Núcleo Technora/Poliéster de 7/32 in (5,5 mm) con funda de Kevlar, gancho de seguridad giratorio de aleación de acero autoblocante con indicador.	9502194	
<b>Gancho</b>	<b>Descripción</b>	<b>Material</b>	<b>Resistencia de cierre</b>	<b>Tamaño de la garganta</b>
9502194	Gancho de seguridad de giro libre con cierre automático e indicador de impacto	Acero cincado	16 kN (3600 libras)	1,9 cm (0,75 in)
2100044	Gancho de seguridad de giro libre con cierre automático e indicador de impacto	Acero inoxidable	16 kN (3600 libras)	1,9 cm (0,75 in)
2000112	Mosquetón	Aleación de acero	16 kN (3600 libras)	1,75 cm (0,69 in)
2000127	Mosquetón	Acero inoxidable	16 kN (3600 libras)	1,75 cm (0,69 in)
<b>Resistencia a la tracción del anticaídas:</b>				
9501479 - 3/16 in de diám. Acero Galvanizado - Resistencia mínima a la tracción de 18,7 kN (4200 libras)				
9501613 - 3/16 in de diám. Acero inoxidable - Resistencia mínima a la tracción de 16 kN (3600 libras)				
9501087 - 7/32 in de diám. Acero Galvanizado - Resistencia a la tracción de 24,9 kN (5600 libras)				
3500076 - 1/4 in de diám. Cuerda Vectran - Resistencia mínima a la tracción de 28,4 kN (6375 libras)				
3500075 - 7/32 in de diám. Cuerda Technora/Poliéster/Kevlar - Resistencia mínima a la tracción de 24,4 kN (5500 libras)				

**Table 1 – Especificaciones****Especificaciones de rendimiento:**

<b>Especificaciones de SRL (vertical)</b>	<b>CSA</b>
<b>Rango de capacidad</b>	59 kg a 140 kg (130 libras a 310 libras)
<b>Fuerza máxima de detención</b>	6 kN (1350 libras)
<b>Fuerza de detención promedio</b>	4 kN (900 libras)
<b>Distancia de detención máxima<sup>1</sup></b>	1,2 m (47 in)
<b>Separación de caída mínima requerida<sup>1</sup></b>	1,2 m (4 ft)
<b>Caída libre máxima<sup>2</sup></b>	0,6 m (2 ft)

<b>Especificaciones de SRL-LE (Horizontal)</b>	<b>CSA</b>
<b>Rango de capacidad</b>	59 kg a 140 kg (130 libras a 310 libras)
<b>Fuerza máxima de detención</b>	6 kN (1350 libras)
<b>Fuerza de detención promedio</b>	3,8 kN (860 libras)
<b>Distancia de detención máxima<sup>1</sup></b>	Consulte la "Sección 2.8: Cálculo de despliegue CSA Z259.2.2-17"
<b>Separación de caída mínima requerida<sup>1</sup></b>	1,8 m (6 ft)
<b>Caída libre máxima<sup>2</sup></b>	0,6 m (2 ft)
<b>Caída libre máxima<sup>3</sup> - LE</b>	1,5 m (5 ft)

1 - Supone que la SRL se monta directamente encima (sobre la cabeza) del usuario final.

2 - La SRL debe montarse por encima del anillo en D del usuario

3- Medido desde el anillo en D del usuario hasta la superficie para caminar/trabajar. Consulte la(s) tabla(s) de separación de caídas para más detalles.



## 1.0 APLICACIONES

- 1.1 PROPÓSITO:** Dispositivo autorretráctil Los dispositivos autorretráctiles (SRD Dispositivo autorretráctil (SRD), por sus siglas en inglés) han sido diseñados para formar parte de un sistema personal de detención de caídas (PFAS, por sus siglas en inglés). La Figura 1 ilustra los SRD Dispositivo autorretráctil (SRD) cubiertos por este manual de instrucciones. Pueden utilizarse en la mayoría de las situaciones donde sea necesario proporcionar al operario una combinación de movilidad y protección contra caídas (tareas de inspección, construcción en general, tareas de mantenimiento, producción petrolera, tareas en espacios confinados, etc.).
- 1.2 NORMATIVAS:** Su SRD Dispositivo autorretráctil (SRD) cumple con las normas nacionales o regionales identificadas en la portada de estas instrucciones. Consulte los requisitos locales, estatales y federales (OSHA) que rigen la seguridad ocupacional para obtener información adicional sobre la protección personal contra caídas.
- 1.3 CAPACITACIÓN:** El uso de este equipo debe estar a cargo de personas que hayan recibido la debida capacitación para su aplicación y uso adecuados. El usuario tiene la responsabilidad de familiarizarse con estas instrucciones y de capacitarse en el cuidado y uso correctos de este equipo. También debe estar informado sobre las características operativas, los límites de aplicación y las consecuencias del uso incorrecto.
- 1.4 LIMITACIONES:** Tenga siempre en cuenta las siguientes limitaciones cuando instale o utilice este equipo:

- **Capacidad:** Dispositivo autorretráctil (SRD) Los SRD son para uso de una persona con un peso combinado (ropa, herramientas, etc.) que cumple con el *rango de capacidad* especificado en la Tabla 1 para sus estándares. Asegúrese de que la capacidad nominal de todos los componentes del sistema sea apropiada para la aplicación.
- **Anclaje:** Los anclajes seleccionados para los sistemas de detención de caídas deben tener una resistencia capaz de sostener cargas estáticas aplicadas en las direcciones permitidas por el sistema de al menos:
  1. 22,2 kN (5 000 libras) para los anclajes no certificados o
  2. Dos veces la fuerza de detención máxima para los anclajes certificados.

Cuando se conecta a un anclaje más de un sistema de detención de caídas, las resistencias establecidas en (1) y (2) anteriormente se deben multiplicar por el número de sistemas conectados al anclaje.

**LAS NORMAS OSHA 1926.502 Y 1910.140 ESTABLECEN QUE:** *Los anclajes usados para conectar los sistemas personales de detención de caídas deberán ser independientes de cualquier anclaje que se esté usando para sostener o suspender plataformas, y podrán soportar un mínimo de 22,2 kN (5000 libras) por usuario conectado, o deberán estar diseñados, instalados y empleados como parte de un sistema personal de detención de caídas completo que mantenga un factor de seguridad de por lo menos dos, y que esté supervisado por una persona calificada.*

- **Velocidad de bloqueo:** Se deben evitar situaciones donde la trayectoria de una posible caída presente obstrucciones. Trabajar en espacios muy confinados o restringidos podría no permitir que el cuerpo desarrolle una velocidad suficiente para que el SRD Dispositivo autorretráctil (SRD) se bloquee si se produce una caída. Trabajar sobre materiales que se mueven lentamente como, por ejemplo, arena o granos, podría no permitir que se acumule una velocidad suficiente para bloquear el SRD. Se requiere una trayectoria despejada para garantizar que el SRD se bloquee.
- **Caída libre:** El uso apropiado de un dispositivo autorretráctil (SRD) en aplicaciones sobre la cabeza minimizará la distancia de caída libre. Para evitar un aumento de la distancia de caída libre, siga las siguientes instrucciones:
  - Nunca grape, anude o de alguna otra manera impida que el anticaídas se retraiga o esté tirante.
  - Evite cualquier holgura en el anticaídas del SRD.
  - No trabaje por encima del nivel del anclaje.
  - No alargue el SRD conectándolo a una eslinga o a un componente similar sin consultar a 3M.

Para obtener información sobre productos específicos en relación con los valores de caída libre y separación de caída, consulte la Tabla 1 de estas instrucciones.

- **Caídas por balanceo:** Las caídas por balanceo tienen lugar cuando el punto de anclaje no está directamente ubicado por encima del punto donde ocurre la caída. La fuerza del golpe contra un objeto en una caída por balanceo puede causar heridas graves (ver la Figura 3A). Trabaje en un lugar situado lo más directamente posible por debajo del punto de anclaje para minimizar la posibilidad de caídas por balanceo.
- **Separación de caída:** Las Figuras 3B y 3C ilustran la separación de caídas. La Tabla 1 especifica la *separación de caída mínima* (FC, por sus siglas en inglés) para caídas desde una posición de pie donde el SRD está anclado directamente por encima (Figura 3B). Las caídas desde una posición de rodillas o en cuclillas requerirán una separación de caída adicional de 1 m (3 ft). En una situación de caída por balanceo (Figura 3C), la distancia total de caída vertical será mayor que si el usuario hubiera caído directamente debajo del punto de anclaje y puede requerir una separación de caída adicional. La Figura 4 y la tabla adjunta definen el radio máximo de trabajo (C) para varias alturas de anclaje de SRD (A) y espacios de caída (B). La zona de trabajo recomendada está limitada al área ubicada dentro del radio máximo de trabajo.
- **Riesgos:** El uso de este equipo en áreas donde existen riesgos circundantes puede requerir precauciones adicionales para reducir la posibilidad de lesiones al usuario o daños al equipo. Algunos de los peligros son, entre otros: calor extremo, sustancias químicas cáusticas, ambientes corrosivos, líneas de alta tensión, gases explosivos o tóxicos, maquinaria en movimiento, o materiales ubicados sobre el nivel de la cabeza que podrían caer y entrar en contacto con el usuario o el sistema de detención de caídas. Evite trabajar en lugares donde el anticaídas pueda cruzarse o enredarse con el de otro trabajador. Evite trabajar donde un objeto pueda caerse y golpear el anticaídas, lo que podría provocar una pérdida de equilibrio o dañar el anticaídas. No permita que el anticaídas pase por debajo de sus brazos o entre las piernas.
- **Bordes afilados:** Evite trabajar en sitios donde el anticaídas pueda estar en contacto o fricción con bordes filosos sin protección. Donde no sea posible evitar el contacto con bordes afilados, cubra el borde con material protector.

## 2.0 USO

- 2.1 PLAN DE PROTECCIÓN CONTRA CAÍDAS Y RESCATE:** El empleador deberá contar con un plan de protección contra caídas y rescate vigente que cumpla con los requisitos de todos los estándares y las regulaciones aplicables. Este plan debe proporcionar las pautas y los requisitos para un programa de protección contra caídas administrado por el empleador que incluya políticas, obligaciones y capacitación; procedimientos de protección contra caídas; eliminación y control de los riesgos de caídas; procedimientos de rescate; investigaciones de incidentes y evaluación de la eficacia del programa.



- 2.2 FRECUENCIA DE INSPECCIÓN:** Los SRD serán inspeccionados por el usuario (persona autorizada<sup>1</sup> o rescatasta<sup>2</sup>) antes de cada uso (ver Tabla 3). Además, una persona competente debe realizar periódicamente inspecciones<sup>3</sup> que no sea el usuario. CSA también requiere la revalidación periódica del producto por parte de un centro de servicio autorizado. Las condiciones de trabajo extremas (ambientes rigurosos, uso prolongado, etc.) pueden requerir una inspección más frecuente de la persona competente y la revalidación del producto. La persona competente utilizará el *programa de inspección (Tabla 2)* para determinar los intervalos de inspección y revalidación apropiados. Los procedimientos de inspección se describen en el registro de *inspección y mantenimiento (Tabla 3)*. Los resultados de la inspección realizada por una persona competente se deberán registrar en el *registro de inspección y mantenimiento* o se deberán registrar con el sistema de identificación por radiofrecuencia (RFID).
- 2.3 OPERACIONES NORMALES:** Si el equipo funciona correctamente, cuando el trabajador se mueva a velocidad normal, el anticaídas se extenderá y retraerá sin dificultades, y no quedará flojo. Si ocurre una caída, se activará un sistema de freno detector de velocidad que detendrá la caída y amortiguará gran parte de la energía creada. Se deben evitar movimientos repentinos o rápidos durante las operaciones normales de trabajo, ya que el SRD podría bloquearse. Para las caídas que se producen cerca del final del trayecto del anticaídas, se incorporó un sistema de anticaídas de reserva o absorbedor de energía para reducir las fuerzas de detención de caídas.
- 2.4 SUJECIÓN DEL CUERPO:** Con la Dispositivo autorretráctil, debe usarse un arnés de cuerpo entero. El punto de conexión del arnés debe estar por encima del centro de gravedad del usuario. No se permite el uso de un cinturón corporal con la Dispositivo autorretráctil. Si se produce una caída cuando se utiliza un cinturón corporal, esto podría causar la desconexión accidental o traumatismos debido a una sujeción del cuerpo inapropiada.
- 2.5 COMPATIBILIDAD DE LOS COMPONENTES:** A menos que se indique lo contrario, el equipo de 3M está diseñado para utilizarse exclusivamente con los componentes y sistemas secundarios aprobados de 3M. Las sustituciones o los reemplazos hechos con componentes y sistemas secundarios no aprobados pueden arriesgar la compatibilidad del equipo y pueden afectar la seguridad y confiabilidad de todo el sistema.
- 2.6 COMPATIBILIDAD DE LOS CONECTORES:** Los conectores se consideran compatibles con los elementos de conexión cuando fueron diseñados para funcionar juntos de manera tal que, independientemente de cómo queden orientados, sus formas y tamaños no provoquen la apertura accidental de los mecanismos de cierre. Comuníquese con 3M ante cualquier duda sobre la compatibilidad. Los conectores (ganchos, mosquetones y anillos en D) deben tener capacidad para soportar al menos 22,2 kN (5 000 libras). Los conectores deben ser compatibles con el anclaje u otros componentes del sistema. No use un equipo que no sea compatible. Los conectores no compatibles pueden desconectarse accidentalmente (vea la figura 5). Los conectores deben ser compatibles en cuanto a tamaño, forma y resistencia. Se requiere el uso de mosquetones y ganchos de seguridad con cierre automático. Si el elemento de conexión al que se fija un gancho de seguridad o mosquetón es más pequeño que lo debido o es de forma irregular, podría surgir una situación en la que el elemento de conexión aplicara una fuerza al cierre del gancho de seguridad o mosquetón (A). Esta fuerza puede hacer que se abra el cierre (B) permitiendo que el gancho de seguridad o mosquetón se desconecte del punto de conexión (C).
- 2.7 CÓMO REALIZAR LAS CONEXIONES:** Los ganchos de seguridad y mosquetones que se utilicen con este equipo deben tener cierre automático. Asegúrese de que todas las conexiones sean compatibles en cuanto a tamaño, forma y resistencia. No use un equipo que no sea compatible. Asegúrese de que todos los conectores estén completamente cerrados y trabados. Los conectores 3M (ganchos de seguridad y mosquetones) están diseñados para el uso exclusivo que se especifica en las instrucciones de uso de cada producto. Vea ejemplos de conexiones incorrectas en la Figura 6. Los ganchos de seguridad y mosquetones no deben conectarse:
- A un anillo en D al que se ha fijado otro conector.
  - De manera tal que se produzca una carga sobre el cierre. Los ganchos de seguridad de gargantas grandes no se deben conectar a anillos en D de tamaño estándar ni a objetos similares que puedan imponer una carga sobre la compuerta en caso de que el gancho o el anillo en D gire o se tuerza, a menos que el gancho de seguridad esté equipado con un cierre de 16 kN (3 600 libras).
  - En un enganche falso, en el que el tamaño o la forma de los conectores de unión no son compatibles, y a primera vista, los conectores parecen estar completamente enganchados.
  - Entre sí.
  - Directamente a una eslinga de cuerda o tejido trenzado, o eslinga para autoamarre (a menos que en las instrucciones del fabricante de la eslinga y del conector se permita expresamente esa conexión).
  - A ningún objeto pueda cuya forma dimensión sea tal que el gancho de seguridad o carabinero quede sin cerrar o trabar o que o deslizarse izarse.
  - De modo que impida que el conector se alinee correctamente en condiciones de carga.

**Table 2 – Agenda de inspección**

Tipo de uso	Ejemplos de aplicación	Condiciones de uso	ANSI, CSA		CSA
			Usuario	Persona competente	Revalidación del producto
Infrecuente a ligero	Rescate y espacios reducidos, mantenimiento de fábrica	Buenas condiciones de almacenamiento, uso en interiores y poco frecuente en exteriores, temperatura ambiente, entornos limpios	Antes de cada uso	Anual	Al menos cada 5 años, pero no más que los intervalos requeridos por el fabricante.
Moderado a intenso	Transporte, construcción residencial, servicios públicos, depósitos	Buenas condiciones de almacenamiento, uso en interiores y extendido en exteriores, todas las temperaturas, entornos limpios o con polvo	Antes de cada uso	Semianual a anual	Al menos cada 2 años, pero no más que los intervalos requeridos por el fabricante.
Severo a continuo	Construcción comercial, petróleo y gas, minería, fundición	Condiciones de almacenamiento severas, uso prolongado o continuo en exteriores, todas las temperaturas, entorno con suciedad	Antes de cada uso	Trimestral a semianual	Al menos una vez al año, pero no más que el intervalo requerido por el fabricante.

**Criterios de inspección de CSA:**

- Si el trabajador no realiza la inspección antes de cada uso o si falla la inspección previa al uso, una persona competente deberá ocuparse de hacer una inspección.
- Si la persona competente no realiza la inspección en los intervalos correctos, o la inspección de la persona competente detecta fallas, se requerirá la revalidación o eliminación del producto.
- La categoría de tipo de uso será determinada por una persona competente.
- Los SRD considerados no reparables, o los SRD diseñados de tal manera que la inspección interna los deje fuera de servicio, no están sujetos a la revalidación del producto. Estos SRD tendrán una vida útil y otros requisitos de inspección como se indica en las instrucciones del fabricante.

- 1 Persona autorizada:** Persona designada por el empleador para que realice tareas en una ubicación en la que la persona estará expuesta a un riesgo de caída.
- 2 Rescatasta:** Persona o personas que no son el sujeto a rescatar y que actúan para realizar un rescate asistido mediante la implementación de un sistema de rescate.
- 3 Persona competente:** Persona designada por el empleador para que sea responsable de la supervisión inmediata, de la implementación y del monitoreo del programa de protección contra caídas administrado del empleador, quien, a través de capacitación y conocimiento, sea capaz de identificar, evaluar y ocuparse de los peligros existentes y potenciales de las caídas, y que tenga la autoridad del empleador para tomar las medidas correctivas oportunas con respecto a estos peligros.

**2.8 DISPOSITIVOS AUTORRETRÁCTILES PARA BORDES SOBRESALIENTES (SRD-LE):** Los dispositivos autorretráctiles (SRD) cubiertos por este manual de instrucciones incluyen dispositivos autorretráctiles que se pueden usar para bordes sobresalientes (SRD-LE). Consulte la Figura 1 para conocer modelos específicos de SRD-LE. Los SRD-LE se sometieron a prueba para uso horizontal y caídas en un borde de acero sin rebabas. Los SRD-LE pueden usarse en situaciones en las que puede producirse una caída desde bordes de acero, como los que se encuentran en formas de acero o láminas de metal.

**Precauciones relacionadas con los bordes sobresalientes:** Tenga en cuenta las siguientes precauciones cuando use SRD-LE:

- Los usuarios de más de 140 kg (310 lb) no deben usar este dispositivo en las aplicaciones de bordes sobresalientes.
- El ángulo de redireccionamiento permitido de la porción de la línea de vida de la SRD-LE en el borde sobre el cual podría ocurrir una caída (medido entre los dos lados formados por la línea de vida redirigida) debe ser de al menos 90 grados (consulte la Figura 7).
- El punto de anclaje se ubicará a la misma altura que el borde en el que podría ocurrir una caída o por encima de este. Los puntos de anclaje por debajo del borde son peligrosos porque hacen que la línea de vida se redirija en un ángulo de más de 90 grados (consulte la Figura 7).
- Consulte la Sección 1 para conocer las limitaciones del área de trabajo permitida en relación con el punto de anclaje, incluidos factores como la caída pendular y la abrasión en la línea en el borde, así como el uso de un único punto de anclaje en comparación con anclajes que permiten el movimiento horizontal (por ejemplo, línea de vida o riel horizontales).
- Los SRD-LE se pueden usar con una línea de vida o riel horizontales solo como se indica en las instrucciones del producto pertinentes.
- No trabaje en el lado más alejado de una abertura opuesta al punto de anclaje del SRD-LE.
- En caso de una caída desde el borde, pueden ser necesarias medidas especiales de rescate.
- Cuando planifique su aplicación en bordes sobresalientes, asegúrese de que los parámetros del área de trabajo estén dentro de la Distancia mínima de retroceso, la Distancia máxima de caída libre y el Espacio libre de caída mínimo requerido al caer sobre un borde como se indica en el etiquetado de la SRD-LE.
- En el caso de conexiones en línea recta, el SRD que se enrolla en la espalda solo se debe conectar a un punto de anclaje rígido si se usa en una aplicación con bordes sobresalientes.

**Cálculo de la distancia de caída desde bordes sobresalientes:** La distancia de caída mínima requerida al caer por un borde se puede calcular en función de la Distancia de retroceso y la Distancia a lo largo del borde de su aplicación de bordes sobresalientes (consulte la Figura 8). Para calcular la distancia de caída a partir de la tabla de la Figura 8:

1. Seleccione el valor más cercano a su Distancia de retroceso (A) en los encabezados de fila del lado izquierdo.
2. Seleccione el valor más cercano a su Distancia de trabajo a lo largo del borde (B) de los encabezados de las columnas superiores. Las áreas sombreadas sin valores indican que la Distancia a lo largo del borde está fuera del Radio de trabajo seguro para la Distancia de retroceso seleccionada.
3. La distancia requerida al caer por un borde (C) será el valor detallado en la intersección de la fila seleccionada en el Paso 1 y la columna seleccionada en el Paso 2.
4. Repita los pasos anteriores para cada borde sobre el cual el trabajador podría caer para determinar la ubicación segura del anclaje y el Radio de trabajo permitido. **CSA Z259.2.2-17 Cálculo de despliegue:**

**Despliegue:** El despliegue es igual al Factor de despliegue ( $D_m$ ) por la Distancia de caída libre ( $h$ ) para una Masa máxima del trabajador ( $kg$ ) o por el despliegue en función de los resultados de las Pruebas dinámicas especificadas en CSA Z259.17, cláusula 7.2, lo que sea mayor.

- Factor de despliegue para una masa de 141 kg ( $D_{141}$ ) = 0.7
- Cuando el SRD está anclado por encima de la Distancia máxima de despliegue = 1,2 m (47 pulg.).
- Cuando el SRD está anclado para que sea posible la caída libre, la Distancia máxima de despliegue = 1,8 m (6 pies)

### 3.0 Instalación

- 3.1 PLANIFICACIÓN:** Planifique el sistema de protección de caídas antes de comenzar a trabajar. Tenga en cuenta todos los factores que pueden afectar su seguridad antes, durante y después de una caída. Considere todos los requisitos y las limitaciones que se definen en este manual.
- 3.2 ANCLAJE:** La Figura 9 ilustra conectores de anclaje típicos para SRL. El anclaje (A) se debe ubicar directamente sobre la cabeza para minimizar los riesgos de caída libre y por balanceo (Consulte la Sección 1). Seleccione un punto de anclaje rígido capaz de sostener las cargas estáticas definidas en la Sección 1.4. El ojal de giro libre en la SRL está equipado con un mosquetón (B). Conecte un mosquetón directamente a la estructura de anclaje (barra de refuerzo, hierro en escuadra, etc.), un adaptador de amarre (C) o un punto de conexión del anclaje (D).
- 3.3 CONEXIÓN DE LOS ARNESES:** Para las aplicaciones de detención de caídas, se requiere un arnés de cuerpo entero. Conecte el gancho de seguridad (A) en el anticaídas de la SRL al anillo en D dorsal posterior (B) en el arnés de cuerpo completo. (Vea la Figura 10). Para casos tales como subir escaleras, puede resultar útil realizar la conexión en el anillo en D frontal del esternón. Consulte las instrucciones del fabricante del arnés para obtener detalles sobre el uso de los puntos de conexión del arnés.

### 4.0 OPERACIÓN

*Los usuarios que utilicen los Cerradura inteligente Dispositivo autorretráctil (Dispositivo autorretráctil (SRD)) por primera vez o con poca frecuencia deberán revisar la "Información de seguridad" que se encuentra al comienzo de este manual antes de utilizar el Dispositivo autorretráctil (SRD).*

*Los usuarios deben tener un Plan de Rescate por escrito y los medios disponibles para implementarlo al usar el equipo.*

- 4.1 ANTES DE CADA USO:** Antes de cada uso de este equipo de protección de caídas, revíselo con cuidado para asegurarse de que esté en buenas condiciones. Revise si tiene partes gastadas o dañadas. Asegúrese de que todos los pernos estén presentes y seguros. Verifique que el anticaídas se retraiga correctamente extendiéndolo y dejando que se retraiga lentamente. Si se presenta alguna dificultad en la retracción, la unidad se deberá marcar con una etiqueta que diga "NO USAR" y se deberá devolver a un centro de servicio autorizado para realizarle mantenimiento. Revise que el anticaídas no presente cortes, quemaduras, aplastamientos, corrosión, ni esté deshilachado. Examine la traba del dispositivo tirando con fuerza de la línea. Consulte la Sección 5 para obtener detalles de la inspección. No lo utilice si la inspección revela condiciones inseguras.
- 4.2 DESPUÉS DE UNA CAÍDA:** Todo equipo que haya sido sometido a las fuerzas de detención de una caída o que presente daños consecuentes con el efecto de las fuerzas de detención de caídas como se describe en Sección 5, se debe retirar de servicio de inmediato, se debe marcar con una etiqueta que diga "NO USAR", y se debe inspeccionar y reparar según se indica en las Secciones 5 y 6.
- 4.3 SUJECIÓN DEL CUERPO:** Cuando se utilizan las SRL de 3M, se debe usar un arnés de cuerpo entero. Para protección general contra caídas, conecte al anillo en D dorsal posterior. Para casos tales como subir escaleras, puede resultar útil realizar la conexión en el anillo en D frontal del esternón. Consulte las instrucciones del fabricante del arnés para obtener detalles sobre el uso de los puntos de conexión del arnés.
- 4.4 CÓMO REALIZAR LAS CONEXIONES:** Cuando utilice un gancho para hacer una conexión, asegúrese de que este no pueda estirarse (vea la Figura 5). No utilice ganchos ni conectores que no se cierren completamente sobre el objeto al que se conectan. No utilice ganchos de seguridad que no tengan seguro. La superficie de montaje debe cumplir con los requisitos de resistencia del anclaje, como se establece en la sección 2.2. Siga las instrucciones del fabricante que se suministran con cada componente del sistema.
- 4.5 OPERACIÓN:** Inspeccione la SRL como se describe en la Sección 5.0. Conecte la SRL a un anclaje o conector de anclaje apropiado como se describió antes. Conecte el gancho de seguridad de cierre automático del extremo del anticaídas al anillo en D dorsal que está en el arnés de cuerpo entero (Consulte la Figura 10). Asegúrese de que las conexiones sean compatibles en cuanto a tamaño, forma y resistencia. Asegúrese de que el gancho esté completamente cerrado y asegurado. Una vez conectado, el operario tiene libertad de movimiento dentro del área de trabajo recomendada a velocidades normales. Podría requerirse un cable de retención para extender o retraer el anticaídas durante las operaciones de conexión y desconexión. Los cables de retención se pueden utilizar para evitar la retracción descontrolada del anticaídas en la SRL. Según el ambiente y las condiciones del lugar de trabajo, puede ser necesario contener el extremo libre del cable de retención para evitar interferencias y enredos con equipos o maquinarias.

### 5.0 Inspección

- 5.1 ETIQUETA DE RFID:** Algunas Dispositivo autorretráctil incluyen una etiqueta de Identificación de radiofrecuencia (RFID, por sus siglas en inglés) (Consulte la Figura 12). La etiqueta de RFID se puede usar con el dispositivo lector portátil y el portal de Internet para simplificar la inspección y el control del inventario, así como para generar registros sobre su equipo de protección contra caídas. Para obtener más detalles, comuníquese con un representante de servicio al cliente de 3M (Consulte la contratapa). Siga las instrucciones suministradas con su lector portátil o las que se encuentran en el portal de Internet para transferir los datos a su registro en la Web.
- 5.2 FRECUENCIA DE INSPECCIÓN:** El Cerradura inteligente Dispositivo autorretráctil se debe inspeccionar según los intervalos definidos en la "Sección 2.2 - Frecuencia de inspección". Los procedimientos de inspección se describen en el "Registro de inspección y mantenimiento" (Tabla 3).

*Las condiciones de trabajo extremas (ambientes rigurosos, uso prolongado, etc.) pueden requerir el aumento de la frecuencia de inspecciones.*

**5.3 CONDICIONES INSEGURAS O DEFECTUOSAS:** Si en la inspección se descubre una condición defectuosa e insegura, retire el Dispositivo autorretráctil de servicio inmediatamente, márkelo con una etiqueta que diga "NO USAR" y envíelo a un centro de servicio autorizado para su reparación.

Solo 3M o las entidades autorizadas por escrito pueden reparar este equipo.

**5.4 VIDA ÚTIL DEL PRODUCTO:** La vida útil de Dispositivo autorretráctil de 3M está determinada por las condiciones de trabajo y el mantenimiento. Siempre y cuando el producto supere los criterios de inspección, podrá permanecer en servicio.

## 6.0 MANTENIMIENTO, REPARACIÓN Y ALMACENAMIENTO

**6.1 LIMPIEZA:** Los procedimientos de limpieza para el Dispositivo autorretráctil son los siguientes:

- Limpie periódicamente la parte exterior de la SRL con una solución de agua y jabón suave. Coloque el Dispositivo autorretráctil (SRD) de modo que el exceso de agua se escurra. Limpie las etiquetas si hace falta.
- Limpie el anticaídas con una solución de agua y jabón suave. Enjuague y deje secar por completo al aire. No aplique calor para apurar el secado. La acumulación excesiva de suciedad, pintura, etc., podría evitar la retracción completa del anticaídas dentro de la carcasa, causando un posible riesgo de caída libre. Reemplace el anticaídas si se produce una acumulación excesiva.

**6.2 REPARACIÓN:** Los procedimientos adicionales de mantenimiento y reparación deben realizarse en un centro de reparaciones autorizado. No intente desarmar la SRL ni lubricar ninguna de las piezas.

**6.3 ALMACENAMIENTO Y TRANSPORTE:** Guarde y transporte Dispositivo autorretráctil en un lugar fresco, seco y limpio, donde no quede expuesto a la luz solar directa. Evite los lugares donde pueda haber vapores de sustancias químicas. Revise minuciosamente la SRL después de un período de almacenamiento prolongado.

## 7.0 Etiquetas

La Figura 18 ilustra las etiquetas en el Cerradura inteligente Dispositivo autorretráctil y sus ubicaciones. Todas las etiquetas deben estar presentes en el Dispositivo autorretráctil (SRD). Las etiquetas deben reemplazarse si no son completamente legibles. Los pictogramas en las etiquetas se definen de la siguiente manera:

1	Lea las instrucciones de uso ubicadas debajo del tope del anticaídas
2	No cargue la cubierta del SRD sobre un borde.
3	Capacidad para 1 persona (consulte el otro lado de la etiqueta para ver el rango de peso)
0	SRL - no apto para borde abierto: no use sobre un borde.
5	SRL-LE - borde abierto: puede usarse sobre un borde.

**Table 3 – Registro de inspección y mantenimiento**

<b>Número(s) de serie:</b>		<b>Fecha de compra:</b>	
<b>Número de modelo:</b>		<b>Fecha de primer uso:</b>	
<b>Inspección realizada por:</b>		<b>Fecha de inspección:</b>	
<b>Componente:</b>	<b>Inspección:</b>	<b>Antes de cada uso</b>	<b>Persona competente</b>
SRL (Figura 13)	Revise el equipo para determinar si tiene pernos sueltos o partes dobladas o dañadas.	<input type="checkbox"/>	<input type="checkbox"/>
	Revise la carcasa (A) para verificar si está deformada o presenta fracturas u otros daños.	<input type="checkbox"/>	<input type="checkbox"/>
	Revise el ojal de giro libre (A) para verificar si está deformado o presenta fracturas u otros daños. El ojal de giro libre debe estar conectado de modo seguro a la SRL, pero debe girar libremente.	<input type="checkbox"/>	<input type="checkbox"/>
	El anticaídas (C) debe extenderse y retraerse completamente sin dificultad o sin aflojarse.	<input type="checkbox"/>	<input type="checkbox"/>
	Asegúrese de que el dispositivo se trabe cuando se tire del anticaídas de manera brusca. El ajuste debe ser seguro y no debe deslizarse.	<input type="checkbox"/>	<input type="checkbox"/>
	Las etiquetas deben estar presentes y ser completamente legibles (vea la Figura 18).	<input type="checkbox"/>	<input type="checkbox"/>
	Revise si la unidad presenta señales de corrosión.	<input type="checkbox"/>	<input type="checkbox"/>
Gancho de seguridad de giro libre e indicador de impacto (Figura 14)	Revise los ganchos de seguridad de giro libre para determinar si presentan señales de daño o corrosión y asegurarse de su estado general. El giro libre debe rotar libremente. Inspeccione el indicador de impacto. Si se ve la banda roja (modo indicado), es porque ha ocurrido una carga de impacto y la SRL se debe retirar del servicio e inspeccionar. No trate de restablecer el indicador de impacto. Envíe la SRL a un centro de servicio autorizado para su reposición. NOTA: El giro libre no rotará libremente mientras el indicador de impacto se encuentre en el modo indicado.	<input type="checkbox"/>	<input type="checkbox"/>
Anticaídas de cable (Figura 15)	Revise la cuerda de cable para detectar cortes, ensortijamientos (A), alambres rotos (B), arqueamiento de los alambres (C), salpicaduras de metal fundido, (D) corrosión, áreas de contacto con productos químicos o áreas muy erosionadas. Deslice el tope del cable (E) hacia arriba e inspeccione los casquillos (F) determinar si presentan rajaduras o daños, y revise el cable para ver si presenta señales de corrosión o tiene alambres cortados. Reemplace el conjunto de cables si hay seis o más alambres rotos distribuidos al azar en un paso, o tres o más alambres rotos en una hebra de un paso. Un "paso" es la longitud de cable necesaria para que una hebra (grupos más grandes de alambres) complete una revolución o vuelta alrededor del eje de cableado. Reemplace el conjunto de cable si hay cables rotos a menos de 25 mm (1 pulgada) de los casquillos.	<input type="checkbox"/>	<input type="checkbox"/>
	Con el tope del cable hacia arriba, desenrolle e inspeccione la etiqueta con las instrucciones de uso (G). Las etiquetas deben estar presentes y ser completamente legibles (Consulte la Figura 18).	<input type="checkbox"/>	<input type="checkbox"/>
	Revise la capacidad de extensión del anticaídas de reserva. Si se empleó la mayor parte del anticaídas para detener una caída, puede haberse desplegado la línea de reserva. Extienda todo el anticaídas SRL hasta el tope. Si puede ver una banda roja (H), el anticaídas de reserva está utilizado y, antes de volver a usarlo, la unidad se debe reparar en un centro de servicio autorizado.	<input type="checkbox"/>	<input type="checkbox"/>
Anticaídas de cuerda (Figura 16)	Inspeccione la cuerda en busca de abrasión (A), hilos cortados (B), hilos separados (C), derretimiento o cristalización (D), compresión (E), diámetro inconsistente (F), y decoloración o degradación (G). Deslice hacia arriba el tope del anticaídas (H) e inspeccione para determinar si hay hilos cortados.	<input type="checkbox"/>	<input type="checkbox"/>
	Con el tope del cable hacia arriba, desenrolle e inspeccione la etiqueta con las instrucciones de uso (I). Las etiquetas deben estar presentes y ser completamente legibles (Consulte la Figura 18).	<input type="checkbox"/>	<input type="checkbox"/>
	Revise la capacidad de extensión del anticaídas de reserva. Si se empleó la mayor parte del anticaídas para detener una caída, puede haberse desplegado la línea de reserva. Extienda todo el anticaídas SRL hasta el tope. Si puede ver una etiqueta de advertencia (J), el anticaídas de reserva está utilizado y antes de volver a usarlo, la unidad se debe reparar en un centro de servicio autorizado.	<input type="checkbox"/>	<input type="checkbox"/>
Absorbedor de energía de la SRL-LE (Figura 17)	En las eslingas autorretráctiles con capacidad de borde abierto (SRL-LE) verifique que el absorbedor de energía integral no se haya activado. Una cubierta abierta (A) o una cubierta desgarrada (B), un tejido trenzado separado de la cubierta (C), un tejido trenzado desgarrado (D) o deshilachado (E), costuras rotas, etc. son indicadores de un absorbedor de energía activado.	<input type="checkbox"/>	<input type="checkbox"/>
<b>Medida correctiva/mantenimiento:</b>		Aprobado por:	
		Fecha:	
<b>Medida correctiva/mantenimiento:</b>		Aprobado por:	
		Fecha:	
<b>Medida correctiva/mantenimiento:</b>		Aprobado por:	
		Fecha:	
<b>Medida correctiva/mantenimiento:</b>		Aprobado por:	
		Fecha:	
<b>Medida correctiva/mantenimiento:</b>		Aprobado por:	
		Fecha:	
<b>Medida correctiva/mantenimiento:</b>		Aprobado por:	
		Fecha:	

**GARANTIE INTERNATIONALE DU PRODUIT, RECOURS LIMITÉ  
ET LIMITATION DE RESPONSABILITÉ**

**GARANTIE :** CE QUI SUIT REMPLACE TOUTES LES GARANTIES OU CONDITIONS, EXPRESSES OU IMPLICITES, Y COMPRIS LES GARANTIES OU LES CONDITIONS IMPLICITES RELATIVES À LA QUALITÉ MARCHANDE ET À L'ADAPTATION À UN USAGE PARTICULIER.

Sauf disposition contraire de la loi, les produits de protection antichute 3M sont garantis contre tout défaut de fabrication en usine et de matériaux pour une période d'un (1) an à compter de la date d'installation ou de la première utilisation par le propriétaire initial.

**RECOURS LIMITÉ :** Moyennant un avis écrit à 3M, 3M réparera ou remplacera tout produit présentant un défaut de fabrication en usine ou de matériaux, tel que déterminé par 3M. 3M se réserve le droit d'exiger le retour du produit dans ses installations afin d'évaluer la réclamation de garantie. Cette garantie ne couvre pas les dommages au produit résultant de l'usure, d'un abus ou d'une mauvaise utilisation, les dommages subis pendant l'expédition, le manque d'entretien du produit ou d'autres dommages en dehors du contrôle de 3M. 3M jugera seul de l'état du produit et des options de garantie.

Cette garantie s'applique uniquement à l'acheteur initial et est la seule garantie applicable aux produits de protection antichute de 3M. Veuillez communiquer avec le service à la clientèle de 3M de votre région pour obtenir de l'aide.

**LIMITATION DE RESPONSABILITÉ :** DANS LES LIMITES PRÉVUES PAR LES LOIS LOCALES, 3M NE SERA TENU POUR RESPONSABLE DE TOUT DOMMAGE INDIRECT, ACCESSOIRE, SPÉCIFIQUE OU CONSÉCUTIF INCLUANT, SANS S'Y LIMITER, LA PERTE DE PROFIT, LIÉS DE QUELQUE MANIÈRE AUX PRODUITS, QUELLE QUE SOIT LA THÉORIE LÉGALE INVOQUÉE.

**GARANTÍA GLOBAL DEL PRODUCTO, REPARACIONES LIMITADAS  
Y LIMITACIÓN DE RESPONSABILIDAD**

**GARANTÍA:** EL SIGUIENTE TEXTO SIRVE A MODO DE GARANTÍA O CONDICIÓN, EXPLÍCITA O IMPLÍCITA, E INCLUYE LAS GARANTÍAS O CONDICIONES IMPLÍCITAS DE COMERCIABILIDAD O APTITUD PARA UN PROPÓSITO ESPECÍFICO.

A menos que las leyes locales indiquen lo contrario, los productos de protección contra caídas 3M tienen garantía por defectos de fábrica en la mano de obra y en los materiales durante un período de un año desde la fecha de instalación o desde el primer uso del propietario original.

**REPARACIONES LIMITADAS:** 3M reparará o reemplazará un producto si determina que tiene un defecto de fábrica en la mano de obra o en los materiales y tras haber recibido una notificación por escrito sobre el presunto defecto. 3M se reserva el derecho de exigir la devolución del producto a sus instalaciones para evaluar los reclamos sobre la calidad. Esta garantía no cubre los daños ocasionados por el desgaste, el abuso, el mal mantenimiento, o como consecuencia del traslado del producto, u otros daños ajenos al control de 3M. 3M será el único capaz de determinar la condición del producto y las opciones de la garantía.

Esta garantía solo se aplica al comprador original y es la única garantía válida para los productos de protección contra caídas 3M. Comuníquese con el departamento de servicio al cliente de 3M de su región para obtener ayuda.

**LIMITACIÓN DE RESPONSABILIDAD:** EN LA MEDIDA PERMITIDA POR LAS LEYES LOCALES, 3M NO SERÁ RESPONSABLE DE LOS DAÑOS INDIRECTOS, IMPREVISTOS, ESPECIALES O CONSECUENTES; ENTRE ELLOS, LA PÉRDIDA DE INGRESOS RELACIONADOS DE CUALQUIER MANERA CON LOS PRODUCTOS, INDEPENDIEMENTE DE LA TEORÍA JURÍDICA QUE SE PUDIERA INVOCAR.



## GLOBAL PRODUCT WARRANTY, LIMITED REMEDY AND LIMITATION OF LIABILITY

**WARRANTY:** THE FOLLOWING IS MADE IN LIEU OF ALL WARRANTIES OR CONDITIONS, EXPRESS OR IMPLIED, INCLUDING THE IMPLIED WARRANTIES OR CONDITIONS OF MERCHANTABILITY OR FITNESS FOR A PARTICULAR PURPOSE.

Unless otherwise provided by local laws, 3M fall protection products are warranted against factory defects in workmanship and materials for a period of one year from the date of installation or first use by the original owner.

**LIMITED REMEDY:** Upon written notice to 3M, 3M will repair or replace any product determined by 3M to have a factory defect in workmanship or materials. 3M reserves the right to require product be returned to its facility for evaluation of warranty claims. This warranty does not cover product damage due to wear, abuse, misuse, damage in transit, failure to maintain the product or other damage beyond 3M's control. 3M will be the sole judge of product condition and warranty options.

This warranty applies only to the original purchaser and is the only warranty applicable to 3M's fall protection products. Please contact 3M's customer service department in your region for assistance.

**LIMITATION OF LIABILITY:** TO THE EXTENT PERMITTED BY LOCAL LAWS, 3M IS NOT LIABLE FOR ANY INDIRECT, INCIDENTAL, SPECIAL OR CONSEQUENTIAL DAMAGES INCLUDING, BUT NOT LIMITED TO LOSS OF PROFITS, IN ANY WAY RELATED TO THE PRODUCTS REGARDLESS OF THE LEGAL THEORY ASSERTED.

# 3M



Fall Protection

#### USA

3833 SALA Way  
Red Wing, MN 55066-5005  
Toll Free: 800.328.6146  
Phone: 651.388.8282  
Fax: 651.388.5065  
3Mfallprotection@mmm.com

#### Canada

600 Edwards Blvd, Unit #2  
Mississauga, ON L5T 2V7  
Phone: 905.795.9333  
Toll-Free: 800.387.7484  
Fax: 888.387.7484  
3Mfallprotection-ca@mmm.com

#### Brazil

Rodovia Anhanguera, km 110  
Sumaré - SP  
CEP: 13181-900  
Brasil  
Phone: 0800-013-2333  
falecoma3m@mmm.com

#### Mexico

Av. Santa Fe No. 190  
Col. Santa Fe, Ciudad de Mexico  
CP 01219, Mexico  
Phone: 01 800 120 3636  
3msaludocupacional@mmm.com

#### EMEA (Europe, Middle East, Africa)

*EMEA Headquarters:*  
Le Broc Center  
Z.I. 1re Avenue - BP15  
06511 Carros Le Broc Cedex  
France  
Phone: + 33 04 97 10 00 10  
Fax: + 33 04 93 08 79 70  
informationfallprotection@mmm.com

#### United Kingdom

3M Centre  
Cain Road  
Bracknell, RG12 8HT  
Phone: 0870 60800 60  
www.3M.co.uk/construction

#### Slovakia

Capital Safety Group - Banská  
Bystrica, s.r.o.  
Jegorovova 35  
974 01 Banská Bystrica  
Slovak Republic  
Phone: + 421 (0)47 00 330  
Fax: + 421 (0)47 00 336  
informationfallprotection@mmm.com

#### Australia & New Zealand

137 McCredie Road  
Guildford  
Sydney, NSW, 2161  
Australia  
Toll-Free : 1800 245 002 (AUS)  
Toll-Free : 0800 212 505 (NZ)  
3msafetyaucs@mmm.com

#### Asia

*Singapore:*  
1 Yishun Avenue 7  
Singapore 768923  
Phone: +65-6450 8888  
Fax: +65-6552 2113  
TotalFallProtection@mmm.com

#### China:

38/F, Maxdo Center, 8 Xing Yi Rd  
Shanghai 200336, P R China  
Phone: +86 21 62753535  
Fax: +86 21 52906521  
3MFallProtection-CN@mmm.com

#### Korea:

3M Korea Ltd  
18F, 82 Uisadang-daero,  
Yeongdeungpo-gu, Seoul  
Phone: +82-80-033-4114  
Fax: +82-2-3771-4977  
3msupport.kr@mmm.com

#### Japan:

3M Japan Ltd  
6-7-29, Kitashinagawa, Shinagawa-ku,  
Tokyo  
Phone: +81-570-011-321  
Fax: +81-3-6409-5818  
psd.jp@mmm.com

WEBSITE:  
[3M.com/FallProtection](http://3M.com/FallProtection)



DECLARATION OF CONFORMITY:  
[3M.com/FallProtection/DOC](http://3M.com/FallProtection/DOC)

(European Union and United Kingdom)