



Fall Protection

3M™ DBI-SALA® Lad-Saf™ System

Table of Contents

6116612 Lad-Saf™ Vertical Climbing Safety System - Standard Rung Mount, Galvanized	Page 2
6116613 Lad-Saf™ Vertical Climbing Safety System - Standard Rung Mount, Stainless Steel	Page 4
6116614 Lad-Saf™ Vertical Climbing Safety System - Standard Rung Mount, Galvanized	Page 6
6116617 Lad-Saf™ Vertical Climbing Safety System - Climbing Extension, Galvanized	Page 8
6116618 Lad-Saf™ Vertical Climbing Safety System - Telescoping Single Point Anchor (SPA) Extension, Galvanized	Page 10
6116615 Lad-Saf™ Vertical Climbing Safety System - Monopole, Galvanized	Page 12
6116616 Lad-Saf™ Vertical Climbing Safety System - Wood pole, Galvanized	Page 14
6116619 Lad-Saf™ Vertical Climbing Safety System - Monopole, Stainless Steel	Page 16
6160054 Lad-Saf™ Flexible Sleeve, X3	Page 18
6160030 Lad-Saf™ Flexible Sleeve, X2	Page 19
6160052 Lad-Saf™ Flexible Sleeve, X3+	Page 20
6100401 Cable Guide, Ladder Mount, Stainless Steel	Page 21
6100400 Cable Guide, Ladder Mount, Galvanized	Page 22
6100386 Flex Cable Guide Standoff, Metal Pole Mount, Steel	Page 23
6100505 Flex Cable Guide Assembly, Stainless Steel	Page 24
6100140 Cable Guide, Wood Pole Mount, Stainless Steel	Page 25
9500098 3/8" 7x19 Galvanized Cable	Page 26
9500099 3/8" 7x19 Stainless Steel Cable	Page 27
9500396 3/8" 1x7 Galvanized Cable	Page 28
9500397 3/8" 1x7 Stainless Steel Cable	Page 29

Lad-Saf™ Vertical Climbing Safety System - Standard Rung Mount, Galvanized

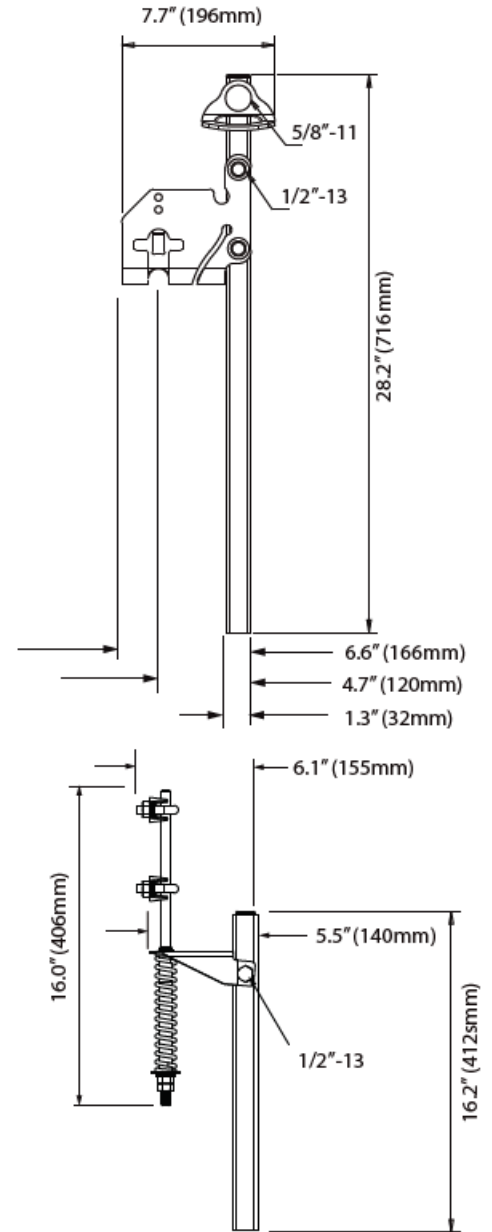
Kit No 6116612

Fits the following rung types and spacing:

- Spacing: 9"-12.25" (230mm-310mm)
- Cylindrical rung: 0.5"-1.6" (13mm-40mm) diameter
- Square rung: 0.5"-1.6" (13mm-40mm)
- Diamond rung: 0.5"-1.6" (13mm-40mm) height
- Angle Iron: 0.5"-1.6" (13mm-40mm) leg height
- Rectangular rung: 0.5"-1.6" (13mm-40mm) height, 0.5"-1.9" (13mm-48mm) width

Operating Temperature Range: 140°F (60°C) to -40°F (-40°C)

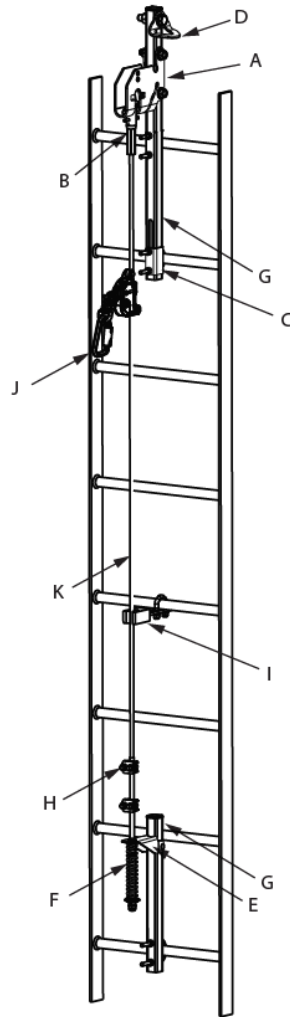
*Hardware is shown on following page.



Part Specification

Net Weight lb (kg)	Minimum Breaking Strength lb (kN)	Maximum Number of Users	Single Point Anchor Rating lb (kN)
23 (10.2)	3,600 (16)	2	3,600 (16)

Lad-Saf™ Vertical Climbing Safety System - Standard Rung Mount, Galvanized



Component Specification

	Qty.	Component	Material	Finish
A	1	Top Plate	304 Stainless Steel	Passivate
B	1	Swage Connector	304 Stainless Steel	Passivate
C	10	Hardware	Steel	Galvanized
D	1	Single Point Anchor	316 Stainless Steel	Powder Coat
E	1	Bottom Plate	Steel	Galvanized
F	1	Tension Assembly	304 Stainless Steel	Passivate
G	2	Tubes	Steel	Galvanized
H	1	Tension Rod	Steel	Galvanized
I	1	Cable Guide*	Steel/Rubber	Galvanized
J	1	Detachable Cable Sleeve*	304 Stainless Steel	Natural
K	-	Cable*	Steel	Galvanized

* Item is sold separately from the kit.

Lad-Saf™ Vertical Climbing Safety System - Standard Rung Mount, Stainless Steel

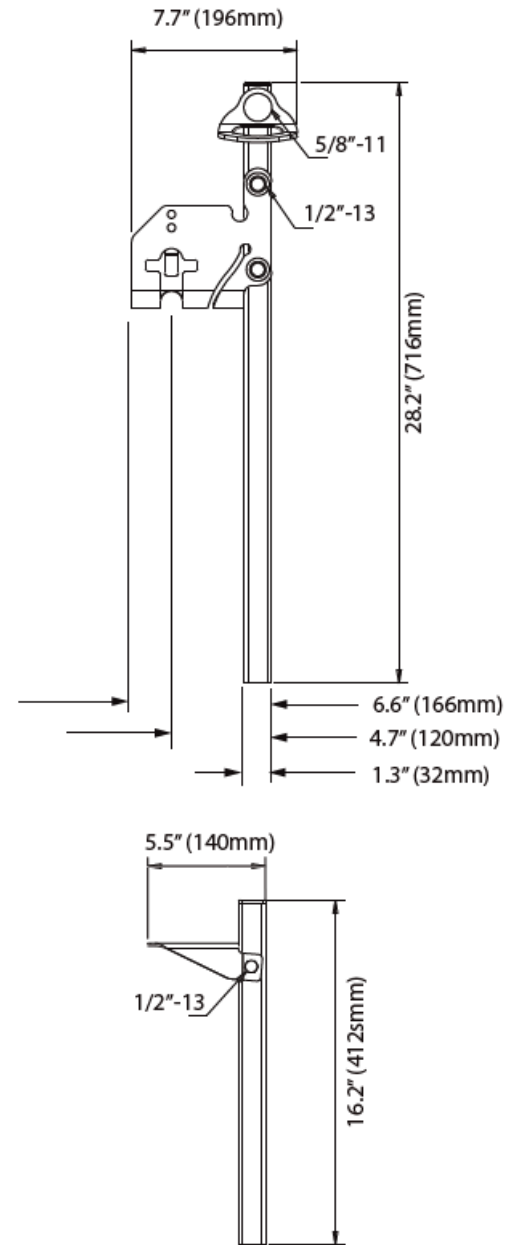
Kit No 6116613

Fits the following rung types and spacing:

- Spacing: 9"-12.25" (230mm-310mm)
- Cylindrical rung: 0.5"-1.6" (13mm-40mm) diameter
- Square rung: 0.5"-1.6" (13mm-40mm)
- Diamond rung: 0.5"-1.6" (13mm-40mm) height
- Angle Iron: 0.5"-1.6" (13mm-40mm) leg height
- Rectangular rung: 0.5"-1.6" (13mm-40mm) height, 0.5"-1.9" (13mm-48mm) width

Operating Temperature Range: 140°F (60°C) to -40°F (-40°C)

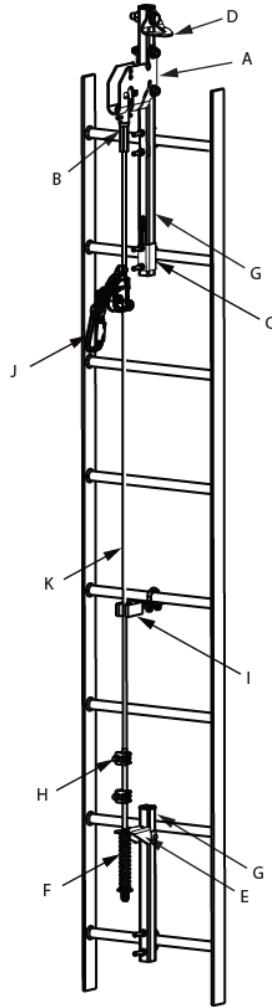
*Hardware is shown on following page.



Part Specification

Net Weight lb (kg)	Minimum Breaking Strength lb (kN)	Maximum Number of Users	Single Point Anchor Rating lb (kN)
20 (9.1)	3,600 (16)	2	3,600 (16)

Lad-Saf™ Vertical Climbing Safety System - Standard Rung Mount, Stainless Steel



Component Specification

	Qty.	Component	Material	Finish
A	1	Top Plate	304 Stainless Steel	Passivate
B	1	Swage Connector	304 Stainless Steel	Passivate
C	10	Hardware	304 Stainless Steel	Passivate
D	1	Single Point Anchor	316 Stainless Steel	Powder Coat
E	1	Bottom Plate	304 Stainless Steel	Passivate
F	1	Tension Assembly	304 Stainless Steel	Passivate
G	2	Tubes	304 Stainless Steel	Passivate
H	1	Tension Rod	304 Stainless Steel	Passivate
I	1	Cable Guide*	304 Stainless Steel/Rubber	Natural
J	1	Detachable Cable Sleeve*	Stainless Steel	Natural
K	-	Cable*	304 Stainless Steel	Natural

* Item is sold separately from the kit.

Lad-Saf™ Vertical Climbing Safety System - Standard Rung Mount, Galvanized

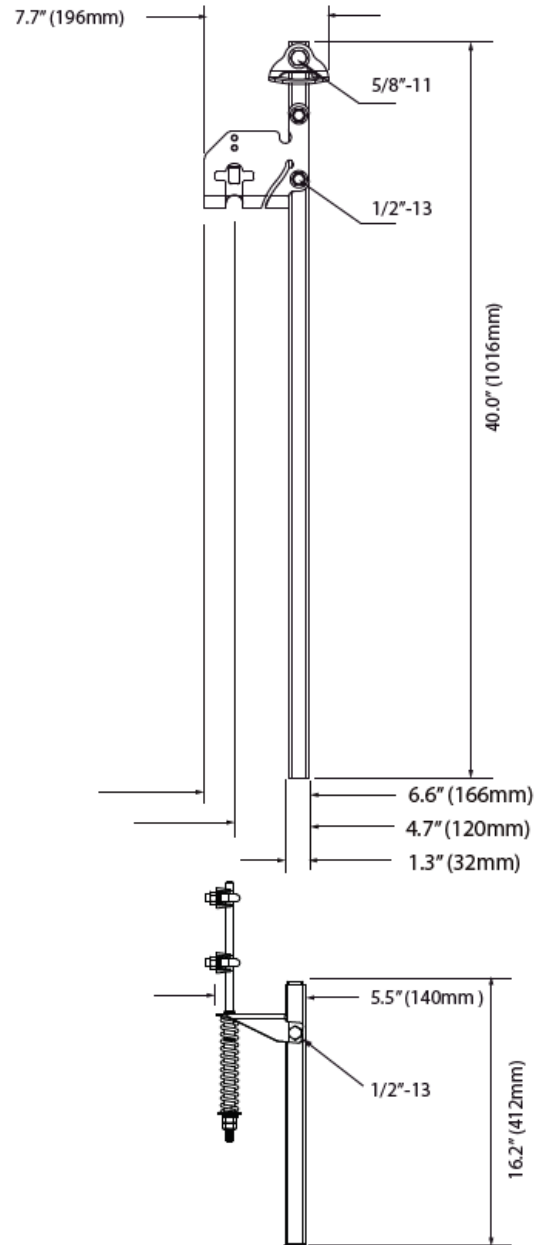
Kit No 6116614

Fits the following rung types and spacing:

- Spacing: 9"-12.25" (230mm-310mm)
- Cylindrical rung: 0.5"-1.6" (13mm-40mm) diameter
- Square rung: 0.5"-1.6" (13mm-40mm)
- Diamond rung: 0.5"-1.6" (13mm-40mm) height
- Angle Iron: 0.5"-1.6" (13mm-40mm) leg height
- Rectangular rung: 0.5"-1.6" (13mm-40mm) height, 0.5"-1.9" (13mm-48mm) width

Operating Temperature Range: 140°F (60°C) to -40°F (-40°C)

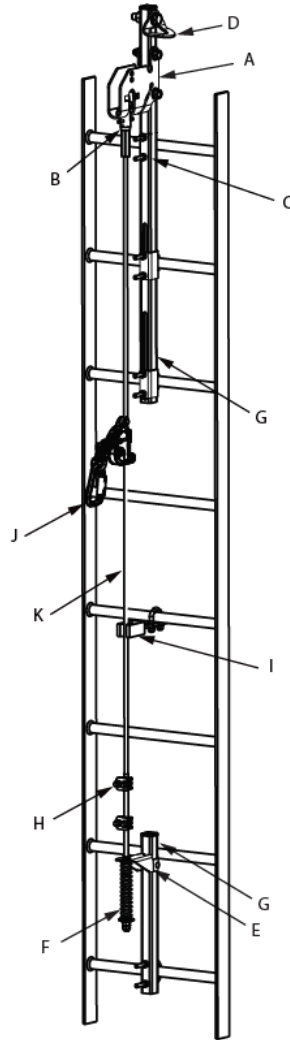
*Hardware is shown on following page.



Part Specification

Net Weight lb (kg)	Minimum Breaking Strength lb (kN)	Maximum Number of Users	Single Point Anchor Rating lb (kN)
27 (12)	4,560 (20.27)	4	3,600 (16)

Lad-Saf™ Vertical Climbing Safety System - Standard Rung Mount, Galvanized



Component Specification

	Qty.	Component	Material	Finish
A	1	Top Plate	304 Stainless Steel	Passivate
B	1	Swage Connector	304 Stainless Steel	Passivate
C	14	Hardware	Steel	Galvanized
D	1	Single Point Anchor	316 Stainless Steel	Powder Coat
E	1	Bottom Plate	Steel	Galvanized
F	1	Tension Assembly	304 Stainless Steel	Passivate
G	2	Tubes	Steel	Galvanized
H	1	Tension Rod	Steel	Galvanized
I	1	Cable Guide*	Steel/Rubber	Galvanized
J	1	Detachable Cable Sleeve*	304 Stainless Steel	Natural
K	-	Cable*	Steel	Galvanized

* Item is sold separately from the kit.

Lad-Saf™ Vertical Climbing Safety System -Climbing Extension, Galvanized

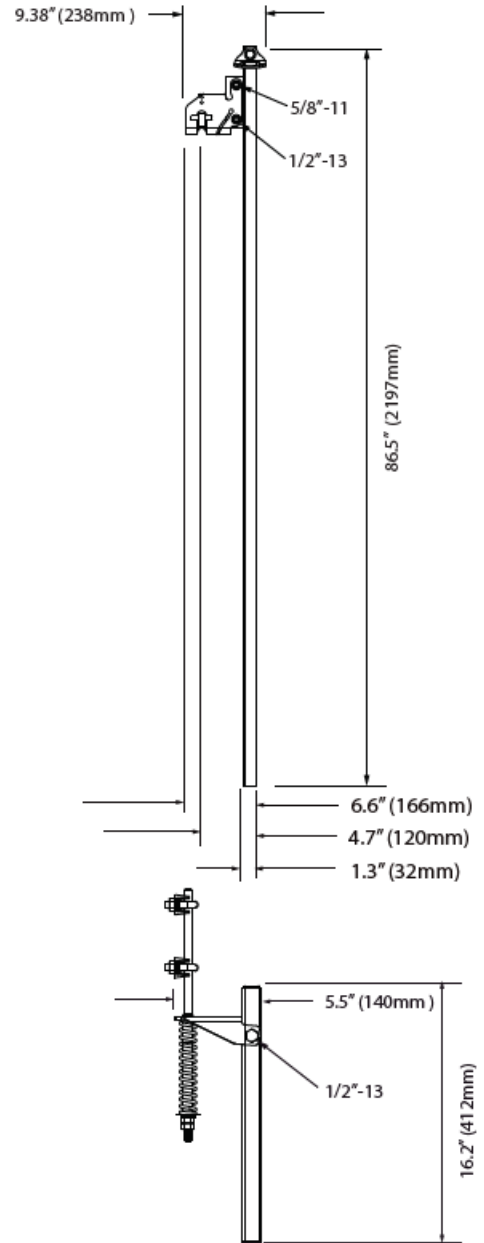
Kit No 6116617

Fits the following rung types and spacing:

- Spacing: 9"-12.25" (230mm-310mm)
- Cylindrical rung: 0.5"-1.6" (13mm-40mm) diameter
- Square rung: 0.5"-1.6" (13mm-40mm)
- Diamond rung: 0.5"-1.6" (13mm-40mm) height
- Angle Iron: 0.5"-1.6" (13mm-40mm) leg height
- Rectangular rung: 0.5"-1.6" (13mm-40mm) height, 0.5"-1.9" (13mm-48mm) width

Operating Temperature Range: 140°F (60°C) to -40°F (-40°C)

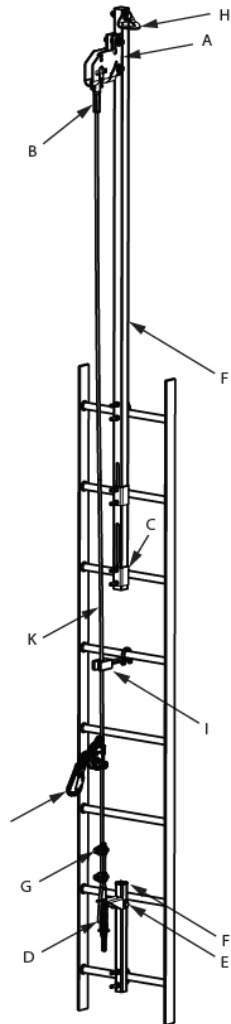
*Hardware is shown on following page.



Part Specification

Net Weight lb (kg)	Minimum Breaking Strength lb (kN)	Maximum Number of Users	Single Point Anchor Rating lb (kN)
60 (27.3)	3,600 (16)	2	3,600 (16)

Lad-Saf™ Vertical Climbing Safety System - Climbing Extension, Galvanized



Component Specification

	Qty.	Component	Material	Finish
A	1	Top Plate	304 Stainless Steel	Passivate
B	1	Swage Connector	304 Stainless Steel	Passivate
C	14	Hardware	Steel	Galvanized
D	1	Tension Assembly	304 Stainless Steel	Passivate
E	1	Bottom Plate	Steel	Galvanized
F	2	Tubes	Steel	Galvanized
G	1	Tension Rod	Steel	Galvanized
H	1	Single Point Anchor	316 Stainless Steel	Powder Coat
I	1	Cable Guide*	Steel/Rubber	Galvanized
J	1	Detachable Cable Sleeve*	304 Stainless Steel	Natural
K	-	Cable*	Steel	Galvanized

* Item is sold separately from the kit.

Lad-Saf™ Vertical Climbing Safety System - Telescoping Single Point Anchor (SPA) Extension, Galvanized

Kit No 6116618

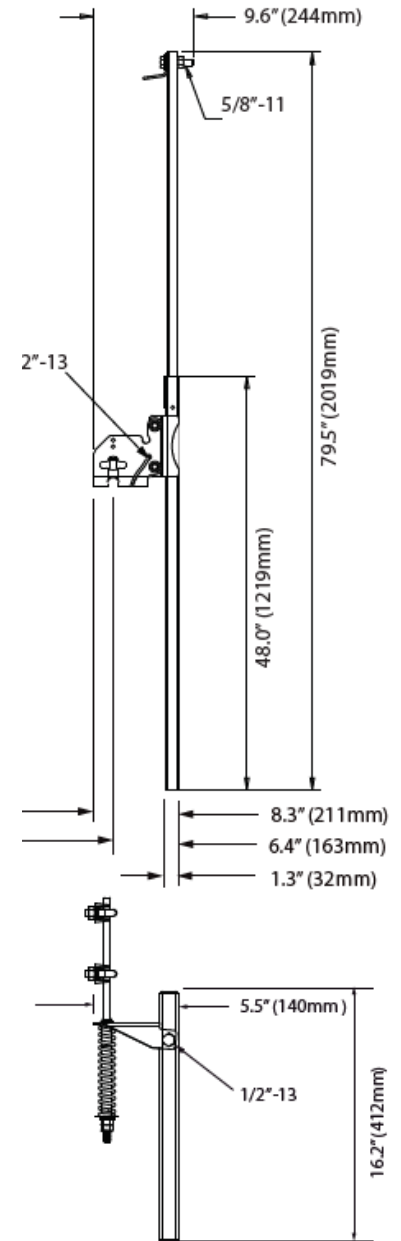
Fits the following rung types and spacing:

- Spacing: 9"-12.25" (230mm-310mm)
- Cylindrical rung: 0.5"-1.6" (13mm-40mm) diameter
- Square rung: 0.5"-1.6" (13mm-40mm)
- Diamond rung: 0.5"-1.6" (13mm-40mm) height
- Angle Iron: 0.5"-1.6" (13mm-40mm) leg height
- Rectangular rung: 0.5"-1.6" (13mm-40mm) height, 0.5"-1.9" (13mm-48mm) width

The SPA will extend 30" (0.76m).

Operating Temperature Range: 140°F (60°C) to -40°F (-40°C)

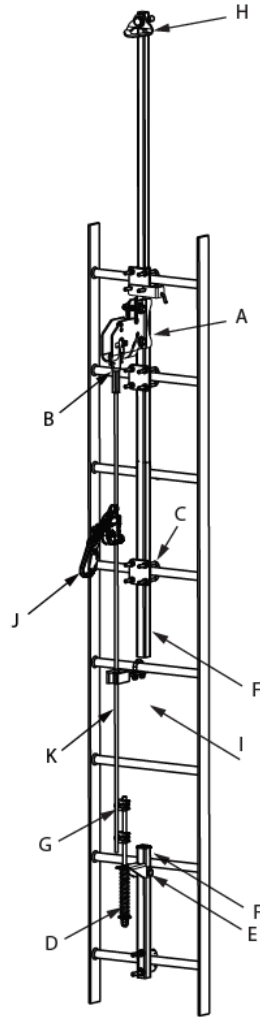
*Hardware is shown on following page.



Part Specification

Net Weight lb (kg)	Minimum Breaking Strength lb (kN)	Maximum Number of Users	Single Point Anchor Rating lb (kN)
40 (18.2)	4,520 (20.27)	4	3,600 (16)

Lad-Saf™ Vertical Climbing Safety System - Telescoping Single Point Anchor (SPA) Extension, Galvanized



Component Specification

	Qty.	Component	Material	Finish
A	1	Top Plate	304 Stainless Steel	Passivate
B	1	Swage Connector	304 Stainless Steel	Passivate
C	27	Hardware	Steel	Galvanized
D	1	Tension Assembly	304 Stainless Steel	Passivate
E	1	Bottom Plate	Steel	Galvanized
F	2	Tubes	Steel	Galvanized
G	1	Tension Rod	Steel	Galvanized
H	1	Single Point Anchor	316 Stainless Steel	Powder Coat
I	1	Cable Guide*	Steel/Rubber	Galvanized
J	1	Detachable Cable Sleeve*	304 Stainless Steel	Natural
K	-	Cable*	Steel	Galvanized

* Item is sold separately from the kit.

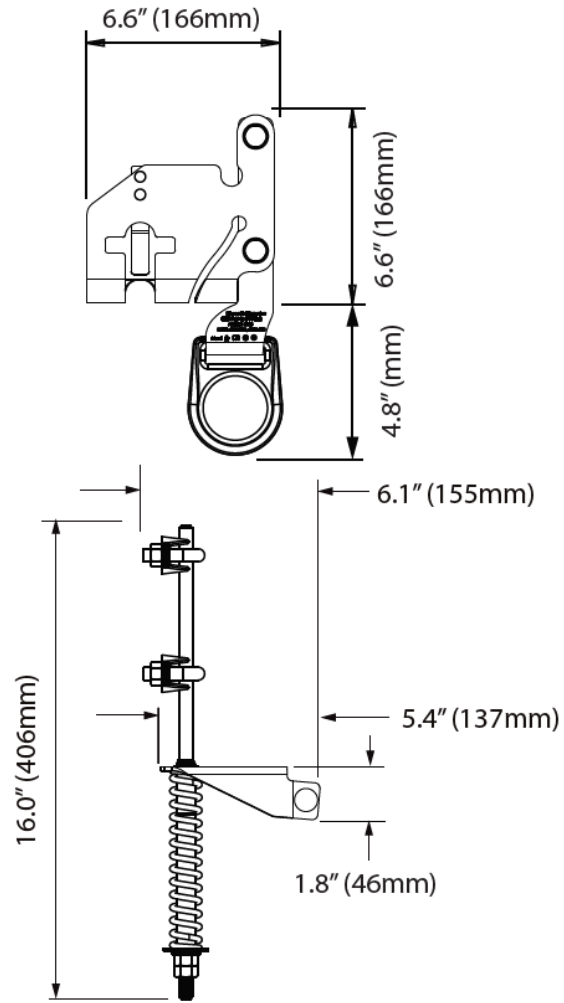
Lad-Saf™ Vertical Climbing Safety System - Monopole, Galvanized

Kit No 6116615

Fits a standoff with 4.00" (101mm) center-to-center hole spacing and .25" (6.35mm) wide plate.

Operating Temperature Range: 140°F (60°C) to -40°F (-40°C)

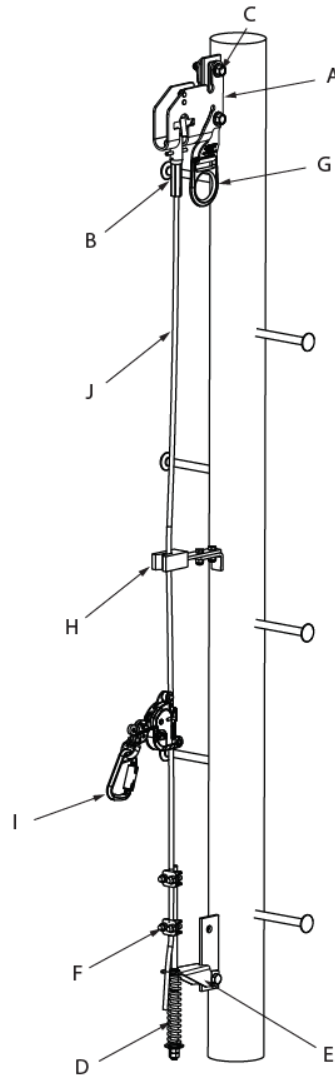
*Hardware is shown on following page.



Part Specification

Net Weight lb (kg)	Minimum Breaking Strength lb (kN)	Maximum Number of Users
10 (4.6)	4,520 (20.27)	4

Lad-Saf™ Vertical Climbing Safety System - Monopole, Galvanized



Component Specification

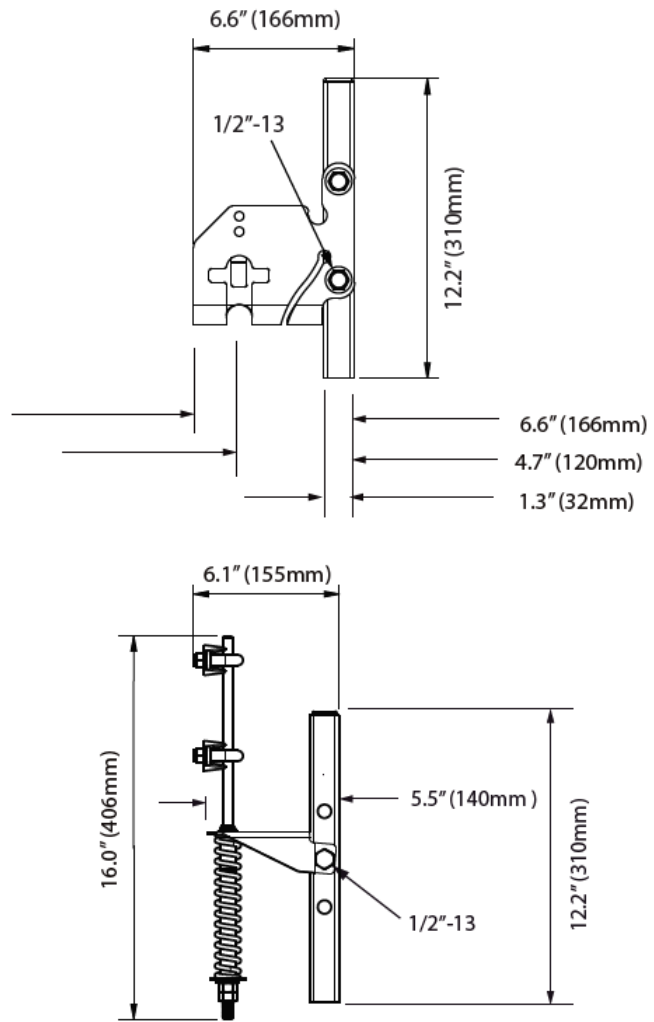
	Qty.	Component	Material	Finish
A	1	Top Plate	304 Stainless Steel	Passivate
B	1	Swage Connector	304 Stainless Steel	Passivate
C	6	Hardware	Steel	Galvanized
D	1	Tension Assembly	304 Stainless Steel	Passivate
E	1	Bottom Plate	Steel	Galvanized
F	1	Tension Rod	Steel	Galvanized
G	1	Single Point Anchor	Forged Steel	Zinc Plated
H	1	Cable Guide*	Steel/Rubber	Galvanized
I	1	Detachable Cable Sleeve*	304 Stainless Steel	Natural
J	-	Cable*	Steel	Galvanized

* Item is sold separately from the kit.

Lad-Saf™ Vertical Climbing Safety System -Wood pole, Galvanized
Kit No 6116616

Attaches to wood pole using 0.50" (4 - 12mm) fasteners (not provided).

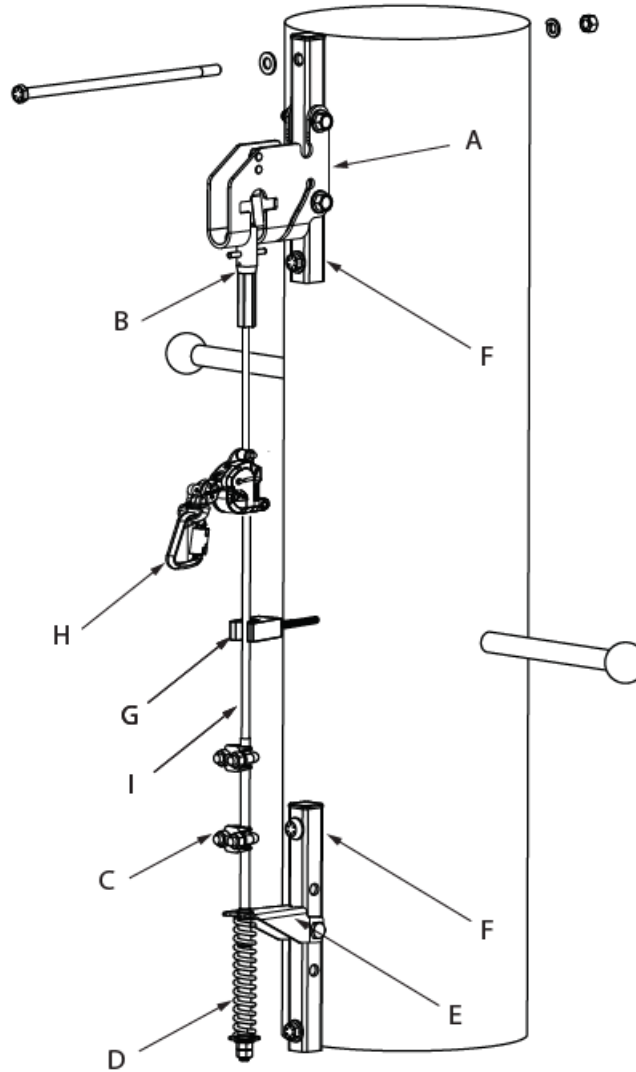
Operating Temperature Range: 140°F (60°C) to -40°F (-40°C)



Part Specification

Net Weight lb (kg)	Minimum Breaking Strength lb (kN)	Maximum Number of Users
14 (6.4)	3,600 (16)	2

Lad-Saf™ Vertical Climbing Safety System - Wood pole, Galvanized



Component Specification

	Qty.	Component	Material	Finish
A	1	Top Plate	304 Stainless Steel	Passivate
B	1	Swage Connector	304 Stainless Steel	Passivate
C	1	Tension Rod	Steel	Galvanized
D	1	Tension Assembly	304 Stainless Steel	Passivate
E	1	Bottom Plate	Steel	Galvanized
F	2	Tubes	Steel	Galvanized
G	1	Cable Guide*	Steel/Rubber	Galvanized
H	1	Detachable Cable Sleeve*	304 Stainless Steel	Natural
I	-	Cable*	Steel	Galvanized

* Item is sold separately from the kit.

** Bracket to pole mounting hardware not sold with kit.

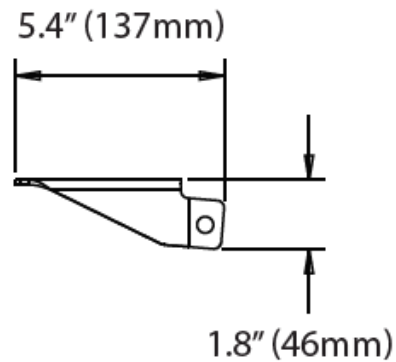
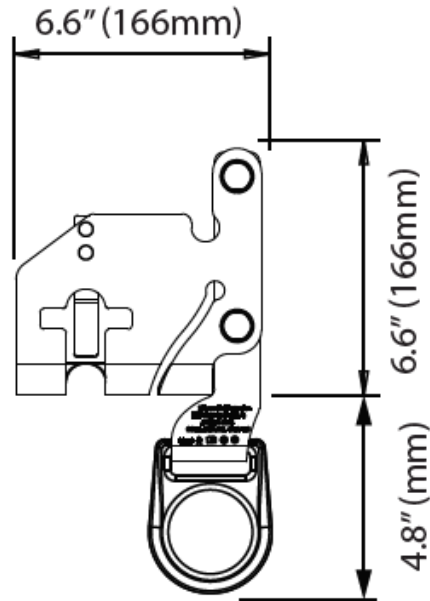
Lad-Saf™ Vertical Climbing Safety System - Monopole, Stainless Steel

Kit No 6116619

Fits a standoff with 4.00" (101mm) center-to-center hole spacing and 0.25" (6.35mm) wide plate.

Operating Temperature Range: 140°F (60°C) to -40°F (-40°C)

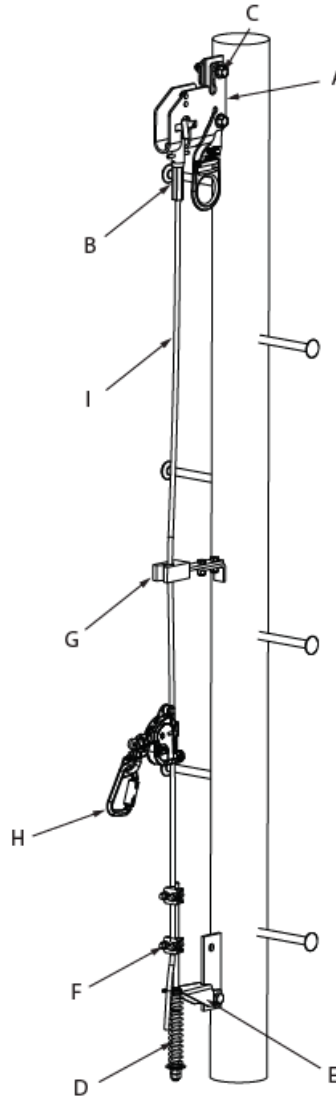
*Hardware is shown on following page.



Part Specification

Net Weight lb (kg)	Minimum Breaking Strength lb (kN)	Maximum Number of Users
10 (4.6)	4.560 (20.27)	4

Lad-Saf™ Vertical Climbing Safety System - Monopole, Stainless Steel



Component Specification

	Qty.	Component	Material	Finish
A	1	Top Plate	304 Stainless Steel	Passivate
B	1	Swage Connector	304 Stainless Steel	Passivate
C	8	Hardware	304 Stainless Steel	Passivate
D	1	Tension Assembly	304 Stainless Steel	Passivate
E	1	Bottom Plate	304 Stainless Steel	Passivate
F	1	Tension Rod	304 Stainless Steel	Passivate
G	1	Cable Guide*	Steel/Rubber	Galvanized
H	1	Detachable Cable Sleeve*	304 Stainless Steel	Natural
I	-	Cable*	Stainless Steel	Natural

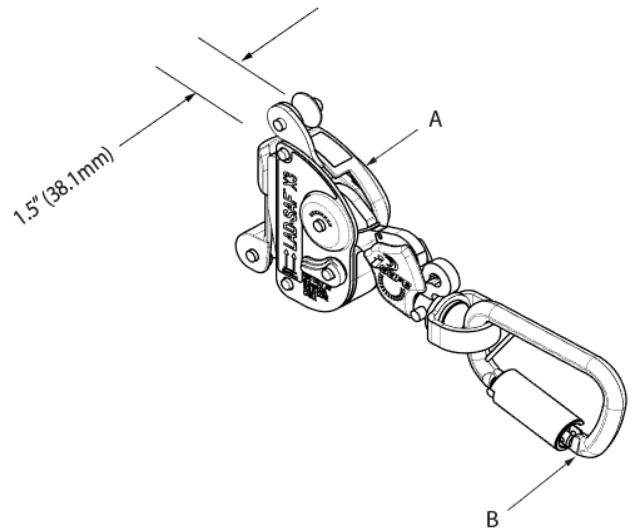
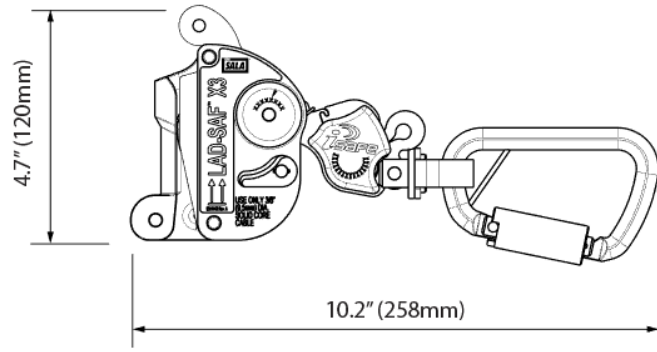
* Item is sold separately from the kit.

Lad-Saf™ Flexible Sleeve, X3

Kit No 6160054

For use with 3M approved 3/8" (9.5mm) cable.

Operating Temperature Range: 140°F (60°C) to -40°F (-40°C)



Part Specification

Net Weight lb (kg)	Capacity Range lb (kg)
2.1 (1)	88-310 (40-141)

Component Specification

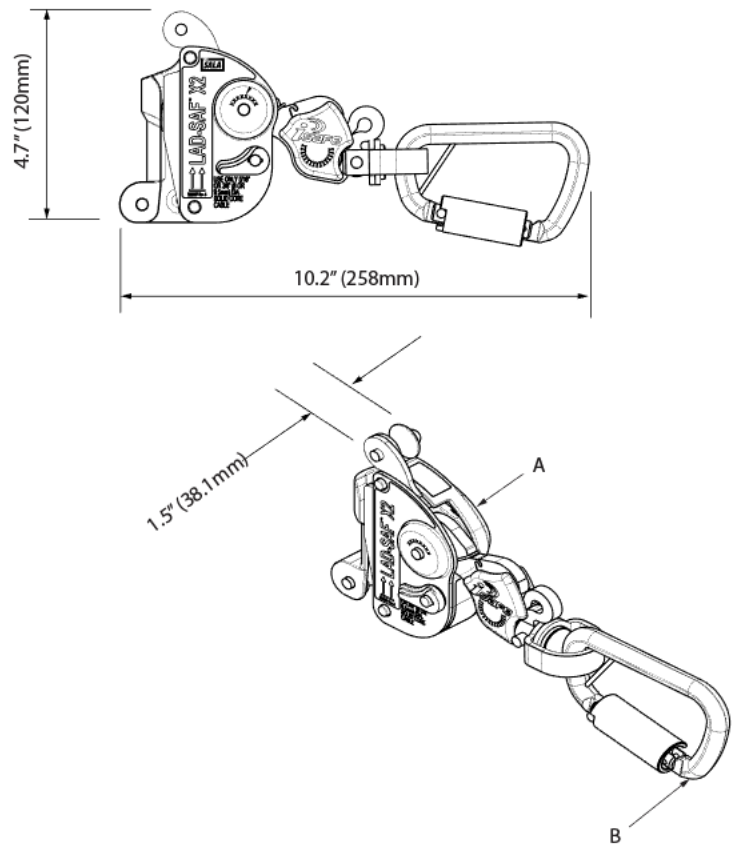
	Qty.	Component	Material	Finish
A	1	Flexible Sleeve	304 Stainless Steel	Natural
B	1	Carabiner, 11/16" Throat	Steel	Zinc Plated

Lad-Saf™ Flexible Sleeve, X2

Part No 6160030

For use with 3M approved 3/8" (9.5mm) cable or 5/16" (8mm) cable.

Operating Temperature Range: 140°F (60°C) to -40°F (-40°C)



Part Specification

Net Weight lb (kg)	Capacity Range lb (kg)
2.1 (1)	88-310 (40-141)

Component Specification

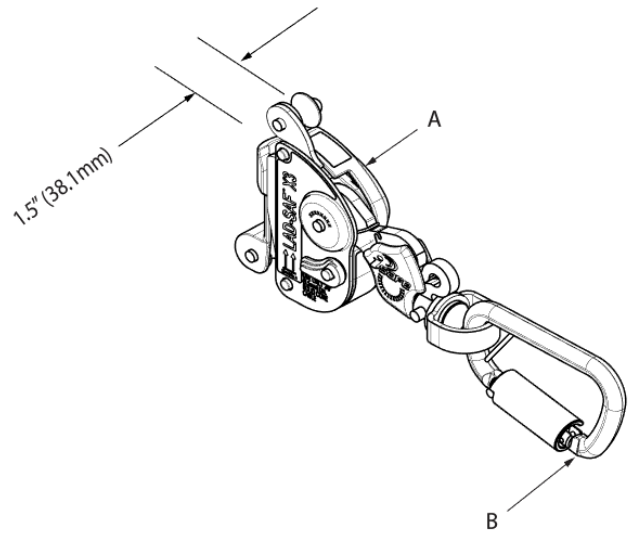
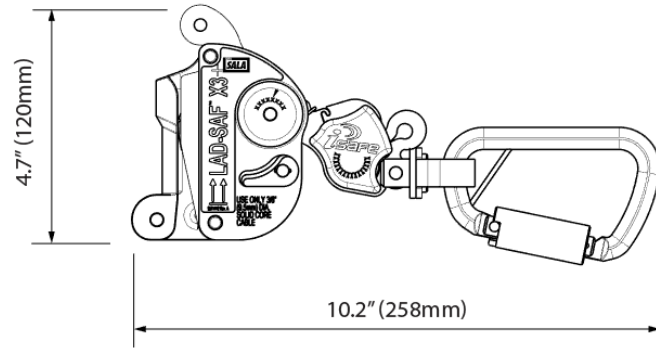
	Qty.	Component	Material	Finish
A	1	Flexible Sleeve	304 Stainless Steel	Natural
B	1	Caribiner, 11/16" Throat	Steel	Zinc Plated

Lad-Saf™ Flexible Sleeve, X3+

Part No 6160052

For use with 3M approved 3/8" (9.5mm) cable.

Operating Temperature Range: 140°F (60°C) to -40°F (-40°C)



Part Specification

Net Weight lb (kg)	Capacity Range lb (kg)
2.1 (1)	88-310 (40-141)

Component Specification

	Qty.	Component	Material	Finish
A	1	Flexible Sleeve	304 Stainless Steel	Natural
B	1	Caribiner, 11/16" Throat	Steel	Zinc Plated

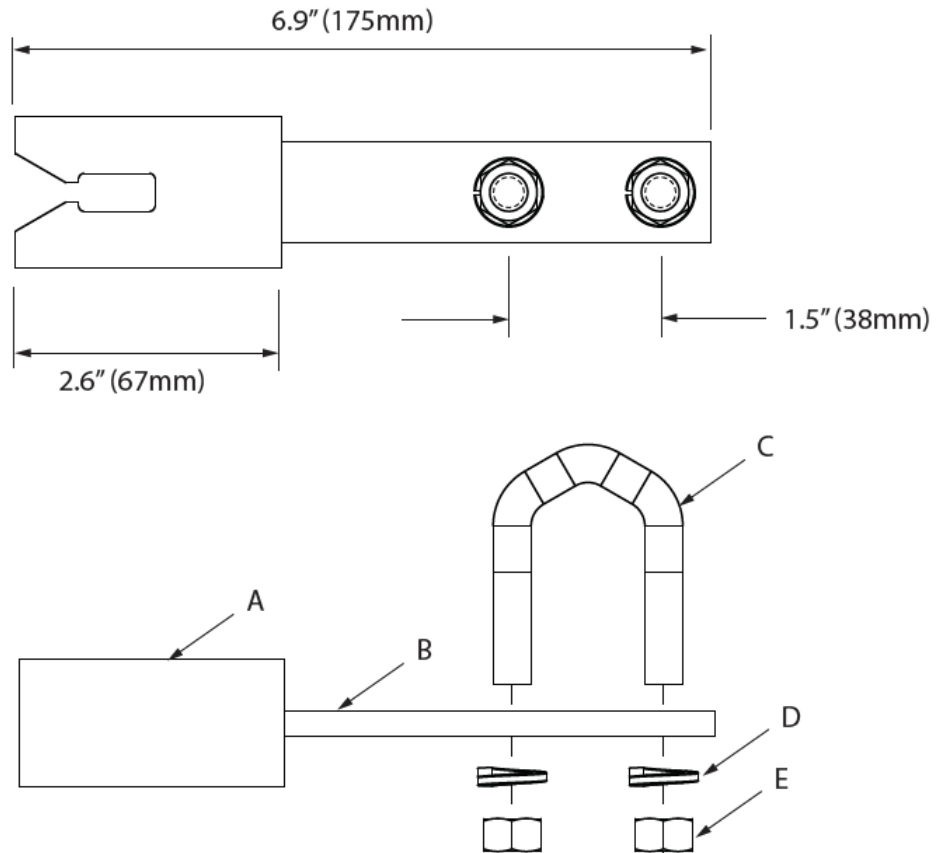
Cable Guide, Ladder Mount, Stainless Steel

Part No 6100401

For use on attachments up to 1.125" (28.5mm)

Recommended for use with Telescoping and Climbing Extension systems, 6116618 and 6116617.

Operating Temperature Range: 140°F (60°C) to -40°F (-40°C)



Component Specification

	Qty.	Component	Material	Finish
A	1	Cable Guide	Rubber	Natural
B	1	Mounting Bar	304 Stainless Steel	Natural
C	1	3/8 - 16 U-Bolt	Stainless Steel	Natural
D	2	3/8 Lock Washers	Stainless Steel	Natural
E	2	3/8 Nuts	Stainless Steel	Natural

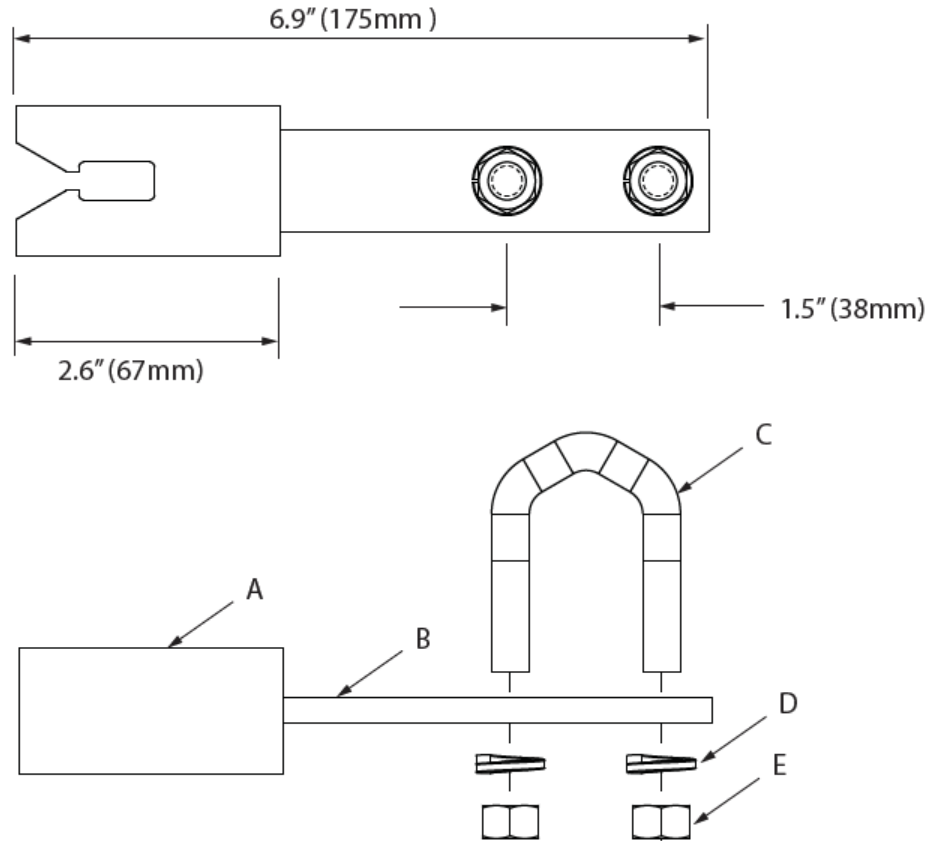
Cable Guide, Ladder Mount, Galvanized

Part No 6100400

For use on attachments up to 1.125" (28.5mm)

Recommended for use with Standard Rung systems, 6116612, 6116613 and 6116614.

Operating Temperature Range: 140°F (60°C) to -40°F (-40°C)



Component Specification

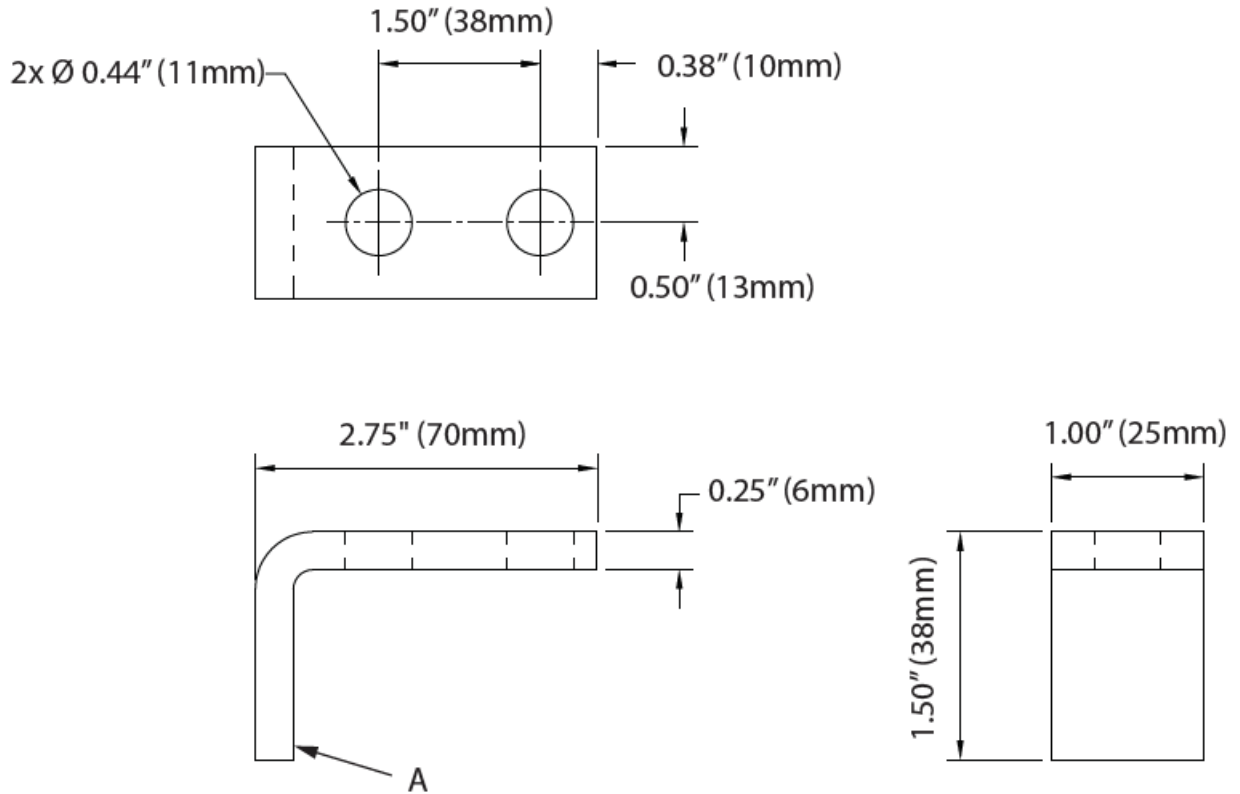
	Qty.	Component	Material	Finish
A	1	Cable Guide	Rubber	Natural
B	1	Mounting Bar	Steel	Galvanized
C	1	3/8 - 16 U-Bolt	Steel	Galvanized
D	2	3/8 Lock Washers	Steel	Galvanized
E	2	3/8 Nuts	Steel	Galvanized

Flex Cable Guide Standoff, Metal Pole Mount, Steel

Part No 6100386

Recommended for use with Monopole systems, 6116615 and 6116619.

Operating Temperature Range: 140°F (60°C) to -40°F (-40°C)



Part Specification

Net Weight lb (kg)
0.2 (0.1)

Component Specification

	Qty.	Component	Material	Finish
A	1	Cable Guide Support	Steel	Natural

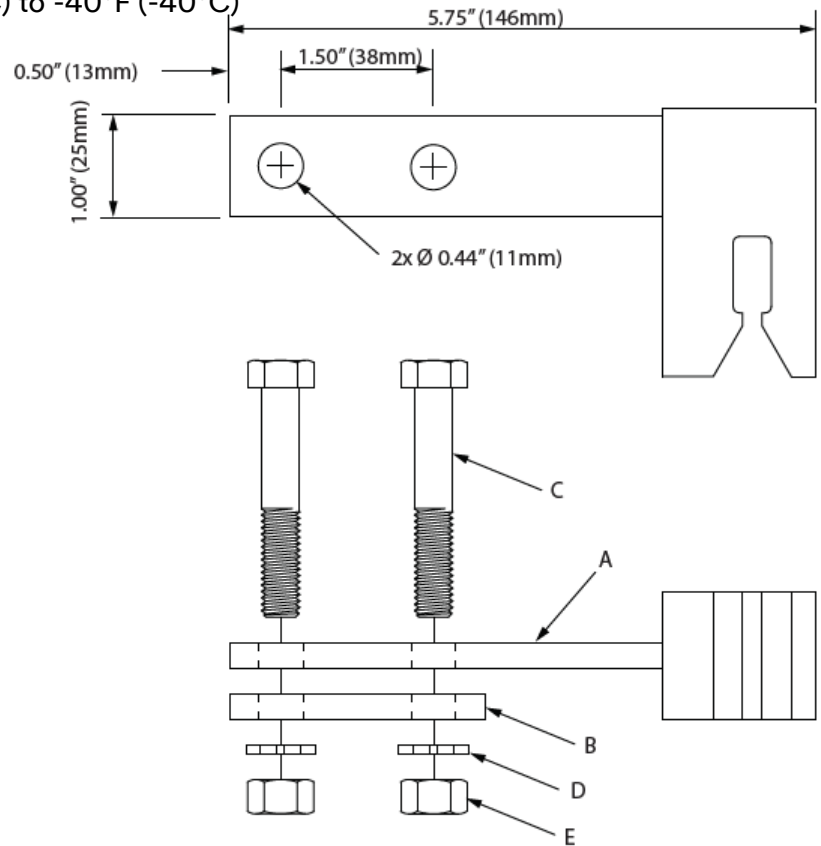
Flex Cable Guide Assembly, Stainless Steel

Part No 6100505

For use with stainless steel cable guides on steel pole structures.

Recommended for use with Monopole systems, 6116615 and 6116619, in conjunction with 6100386 Cable Guide Standoff Support.

Operating Temperature Range: 140°F (60°C) to -40°F (-40°C)



Part Specification

Net Weight lb (kg)
0.2 (0.1)

Component Specification

	Qty.	Component	Material	Finish
A	1	Cable Guide Support	Stainless Steel	Natural
B	1	Plate Clamp	Stainless Steel	Natural
C	2	3/8-16 Bolt	Stainless Steel	Natural
D	2	3/8 Washer	Steel	Galvanized
E	2	3/8-16 Nut	Stainless Steel	Natural

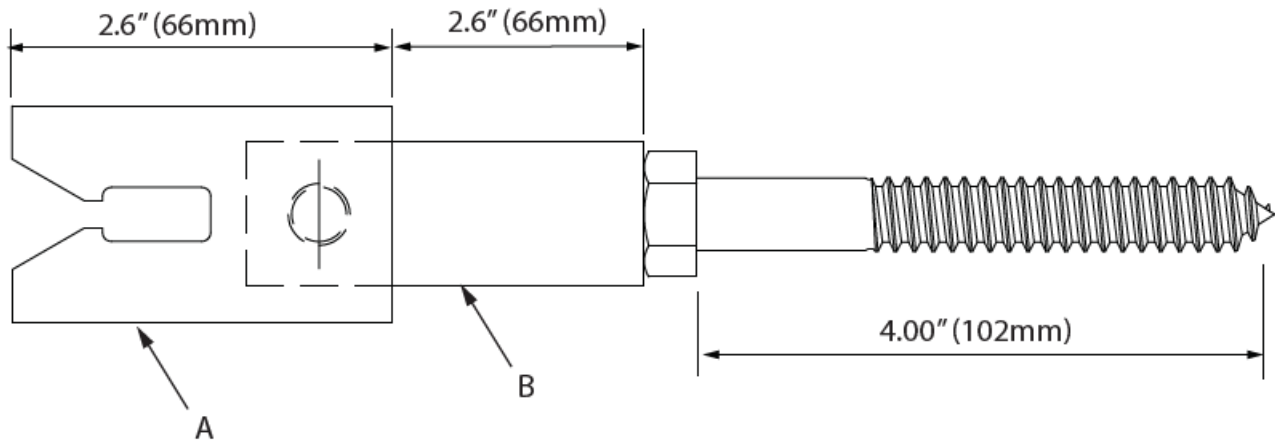
Cable Guide Wood Pole Mount, Stainless Steel

Part No 6100140

For use on wood pole structures.

Recommended for use with wood pole system, 6116616.

Operating Temperature Range: 140°F (60°C) to -40°F (-40°C)



Part Specification

Net Weight lb (kg)
0.6 (0.3)

Component Specification

	Qty.	Component	Material	Finish
A	1	Cable Guide	Rubber	Natural
B	1	Mounting Bar	304 Stainless Steel	Natural

3/8" 7x19 Galvanized Cable

Part No 9500098

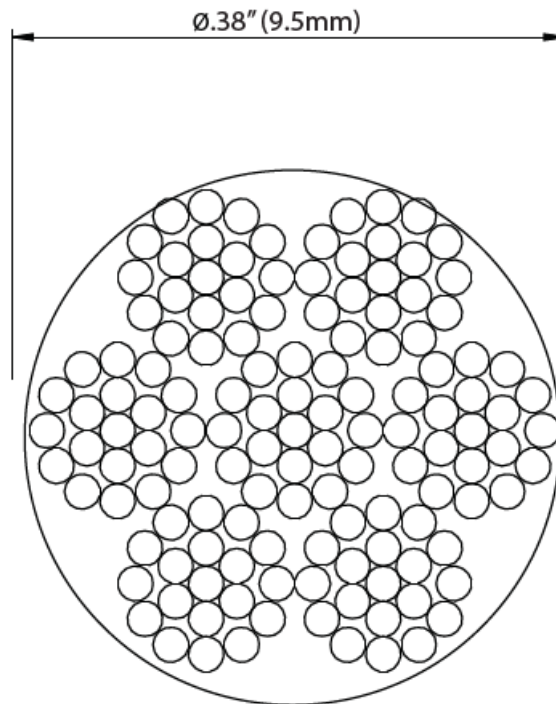
3/8" 7x19 Galvanized Cable is used as the basis of vertical climbing systems to allow continued attachment.

Operating Temperature Range: 140°F (60°C) to -40°F (-40°C)

Order Number: 6106xxx*

*The last three digits represent the length of cable. i.e. 6106100 is 100 feet of cable.

Cable ordered in 5' increments up to 100', 10' increments up to 200' and 20' increments above 200'



Part Specification

Net Weight lb (kg)	Minimum Breaking Strength lb (kN)
0.27/ft (0.41/m)	14,400 (64)

Component Specification

	Qty.	Component	Material	Finish
A	1	Cable	Steel	Galvanized

3/8" 7x19 Stainless Steel Cable

Part No 9500099

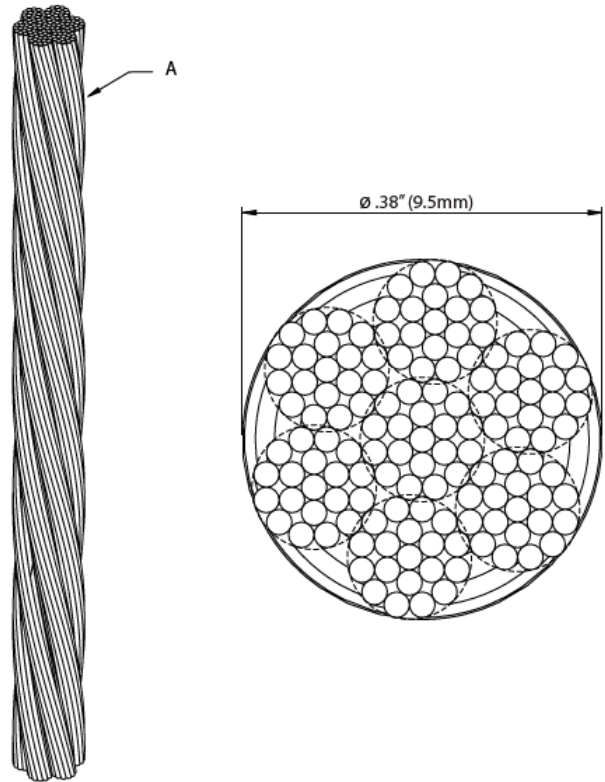
3/8" 7x19 Stainless Steel Cable is used as the basis of vertical climbing systems to allow continued attachment.

Operating Temperature Range: 140°F (60°C) to -40°F (-40°C)

Order Number: 6107xxx*

*The last three digits represent the length of cable. i.e. 6107100 is 100 feet of cable.

Cable ordered in 5' increments up to 100', 10' increments up to 200' and 20' increments above 200'



Part Specification

Net Weight lb (kg)	Minimum Breaking Strength lb (kN)
0.27/ft (0.41/m)	12,000 (53.3)

Component Specification

	Qty.	Component	Material	Finish
A	1	Cable	304 Stainless Steel	Natural

3/8" 1x7 Galvanized Cable

Part No 9500396

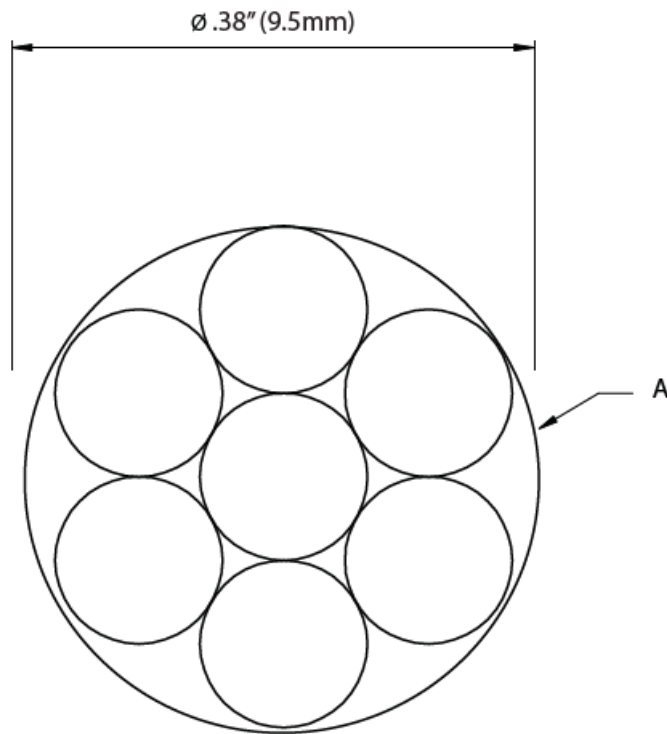
3/8" 1x7 Galvanized Cable is used as the basis of vertical climbing systems to allow continued attachment.

Operating Temperature Range: 140°F (60°C) to -40°F (-40°C)

Order Number: 6104xxx*

*The last three digits represent the length of cable. i.e. 6104100 is 100 feet of cable.

Cable ordered in 5' increments up to 100', 10' increments up to 200' and 20' increments above 200'



Part Specification

Net Weight lb (kg)	Minimum Breaking Strength lb (kN)
0.27/ft (0.41/m)	15,000 (68.4)

Component Specification

	Qty.	Component	Material	Finish
A	1	Cable	Steel	Galvanized

3/8" 1x7 Stainless Steel Cable

Part No 9500397

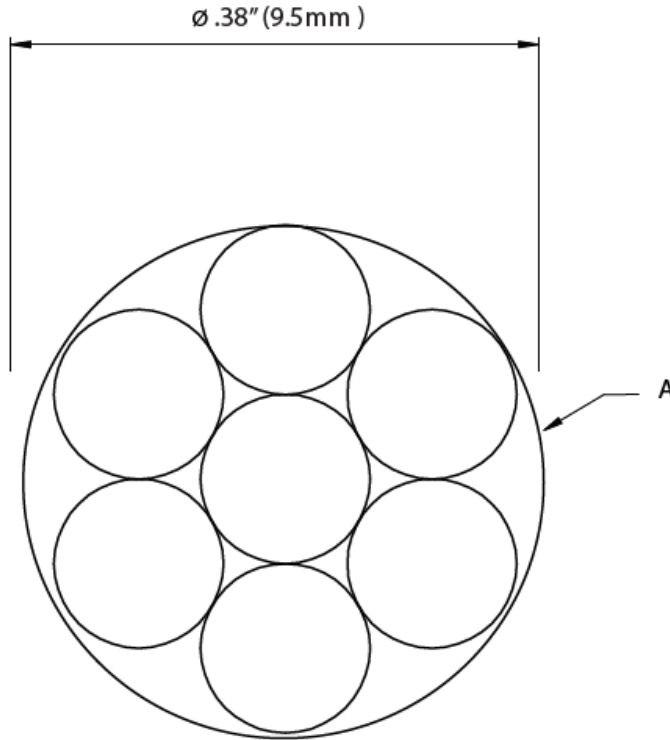
3/8" 1x7 Stainless Steel Cable is used as the basis of vertical climbing systems to allow continued attachment.

Operating Temperature Range: 140°F (60°C) to -40°F (-40°C)

Order Number: 6105xxx*

*The last three digits represent the length of cable. i.e. 6105100 is 100 feet of cable.

Cable ordered in 5' increments up to 100', 10' increments up to 200' and 20' increments above 200'



Part Specification

Net Weight lb (kg)	Minimum Breaking Strength lb (kN)
0.27/ft (0.41/m)	12,000 (53.3)

Component Specification

	Qty.	Component	Material	Finish
A	1	Cable	304 Stainless Steel	Natural

3M Personal Safety Division

3M Fall Protection Business
3833 SALA Way
Red Wing, MN 55066

Technical Service: 800-328-6146
3M.com/FallProtection

3M PSD products are
for occupational use only.

© 3M 2018. All rights reserved.
3M, DBI-SALA, and Protecta are trademarks
of 3M Company and its affiliates.
Used under license in Canada.
All other trademarks are property
of their respective owners.
Please recycle. Release 1, February 2018