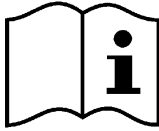




The Ultimate in Fall Protection

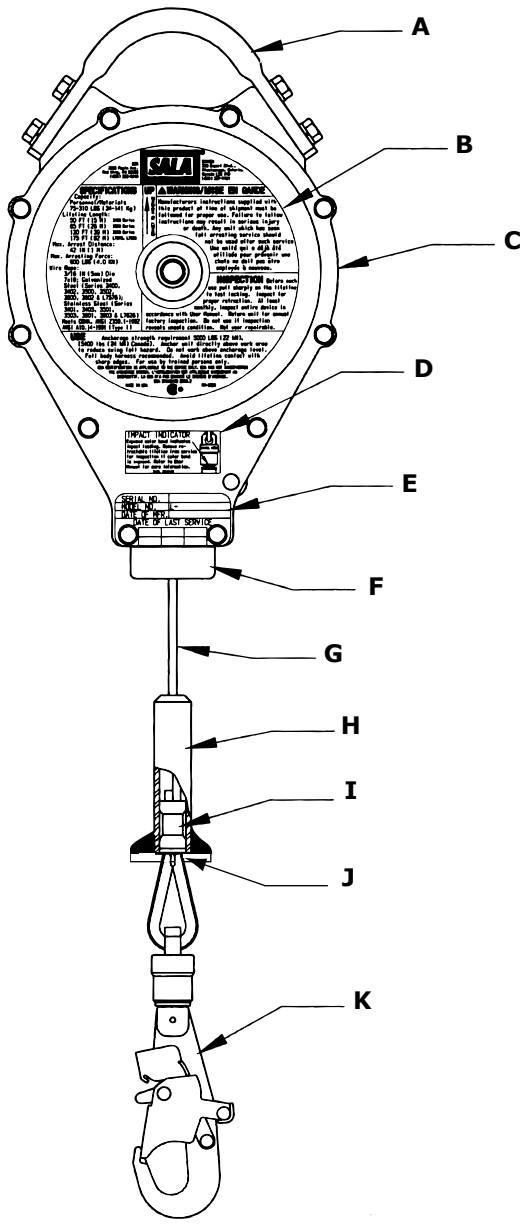


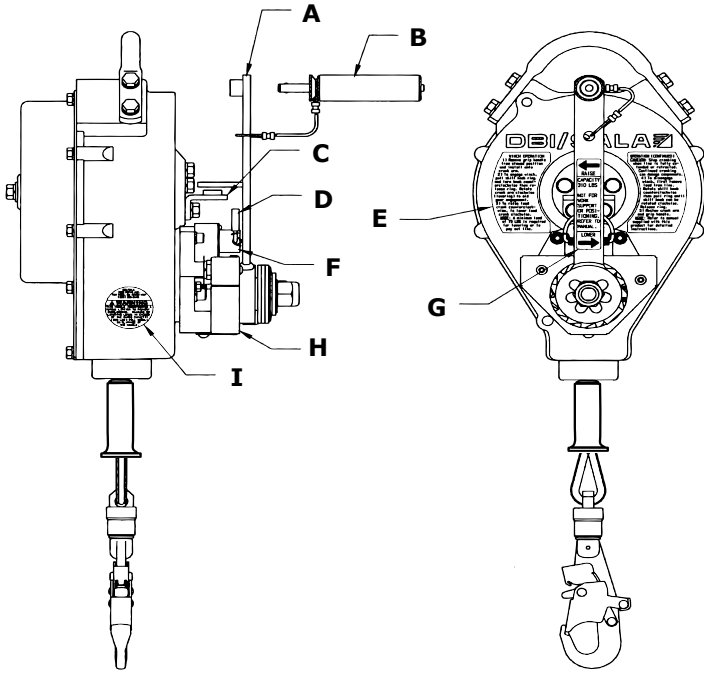
EN360:2002

8	9
CE Type Test	CE Production Quality Control
No. 0321 Satra Technology Centre Wyndham Way Telford Way Kettering, Northants NN16 8SD, UK	No. 0086 BSI Product Services Kitemark Court Davy Avenue Knowlhill, Milton Keynes MK5 8PP, UK

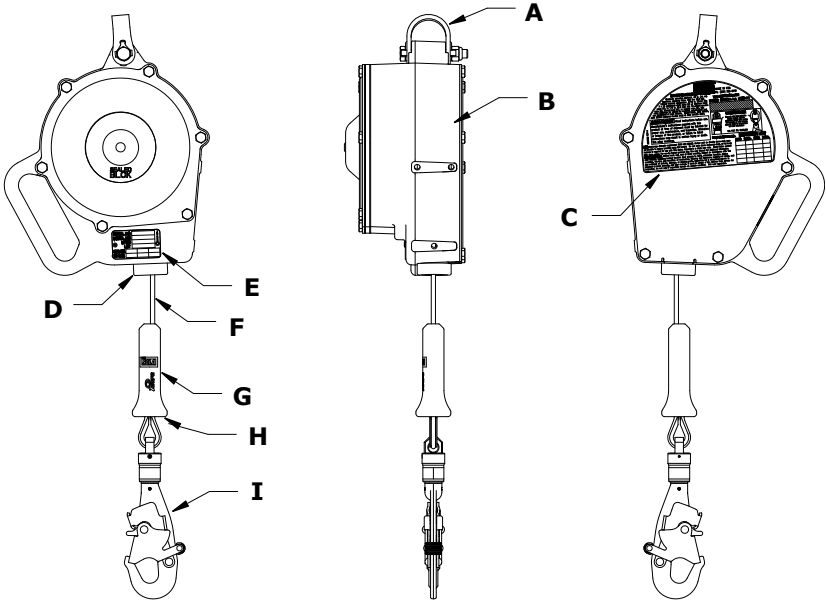


EN	Carefully read all instructions for each component and General Instruction 5902392 before using this equipment
FR	Lire attentivement toutes les instructions pour chaque composant et l'Instruction générale 5902392 avant d'utiliser ce matériel
DE	Lesen Sie sorgfältig alle Anweisungen für jede Komponente sowie Allgemeine Anweisung 5902392 bevor Sie diese Ausrüstung verwenden
IT	Leggere attentamente tutte le istruzioni di ogni componente e le istruzioni generali 5902392 prima di usare questo dispositivo
ES	Lea con atención todas las instrucciones para cada componente y la Instrucción general 5902392 antes de utilizar este equipo
PT	Leia cuidadosamente todas as instruções para cada componente e as Instruções gerais 5902392 antes de usar este equipamento
DA	Læs omhyggeligt alle anvisningerne til hver komponent og Generel vejledning 5902392, inden dette udstyr tages i brug
NO	Les nøye gjennom alle instruksjonene for hver komponent og Generelle instruksjoner 5902392 før utstyret tas i bruk
FI	Lue jokaisen komponentin ohjeet ja Yleisohjeet 5902392 huolellisesti ennen näiden varusteiden käyttöä
SV	Läs noggrant alla anvisningar för varje komponent och allmän anvisning 5902392 innan du använder den här utrustningen

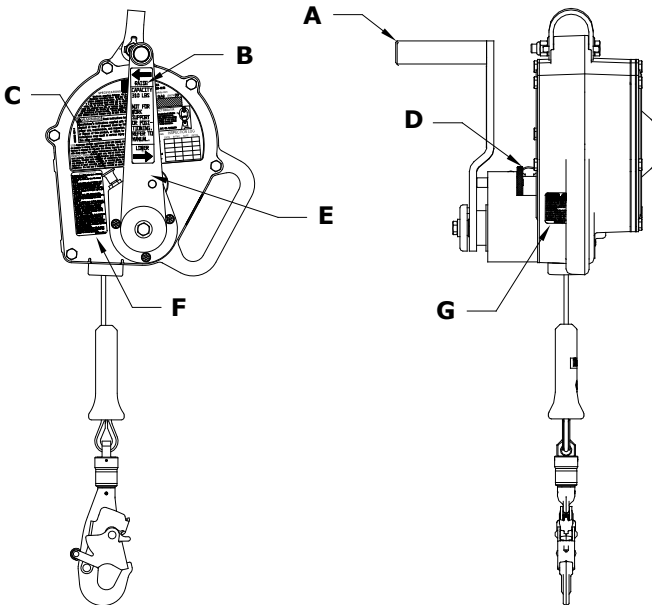


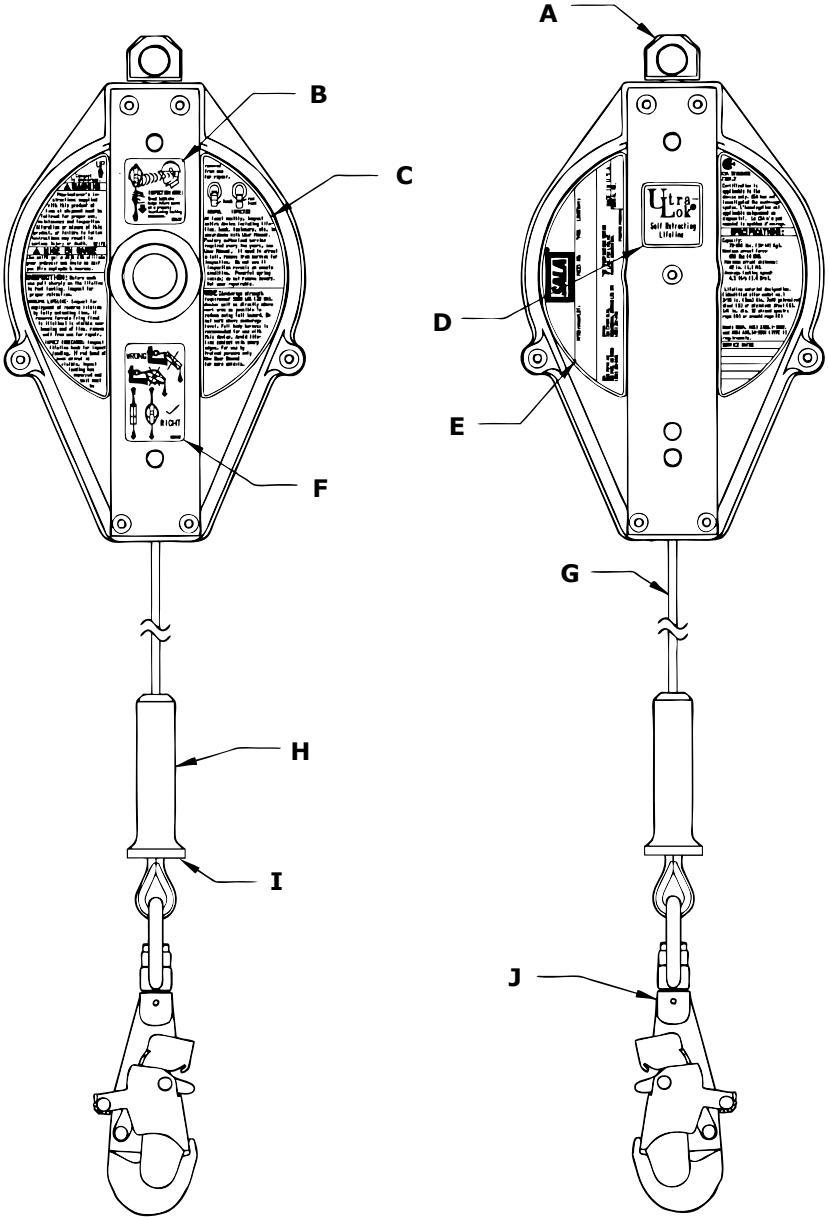


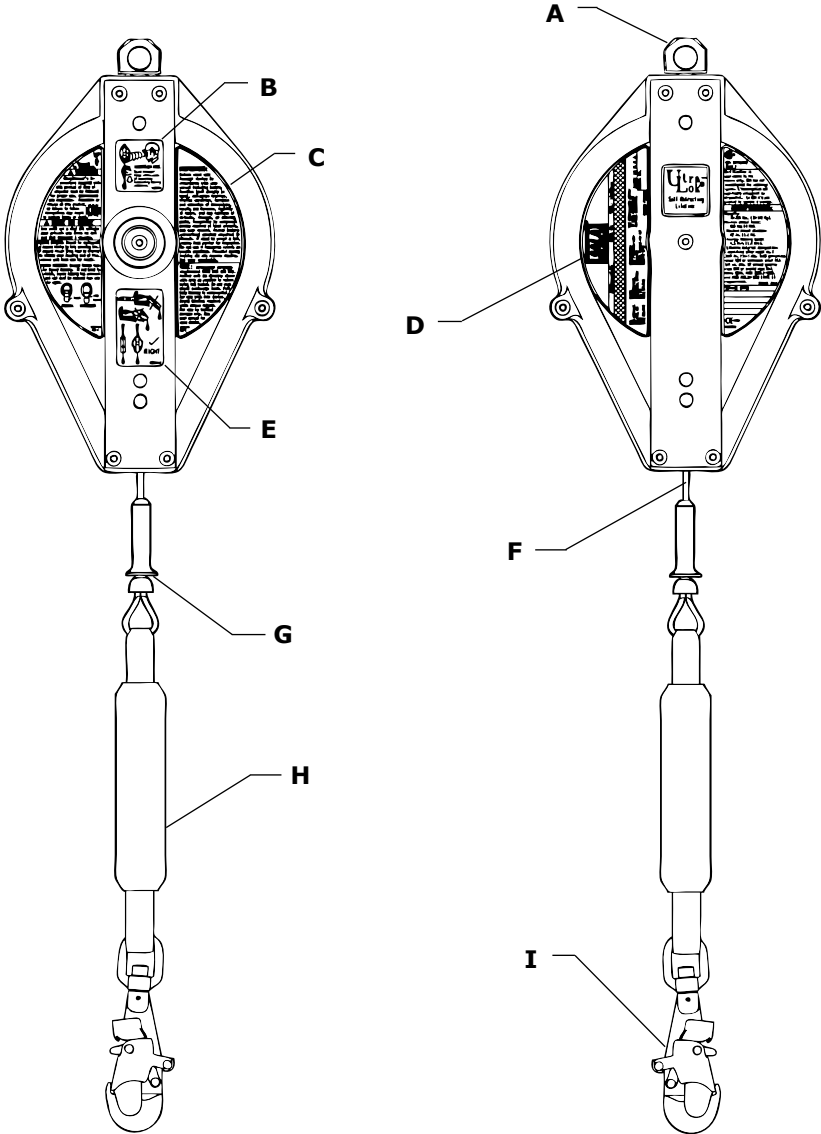
3

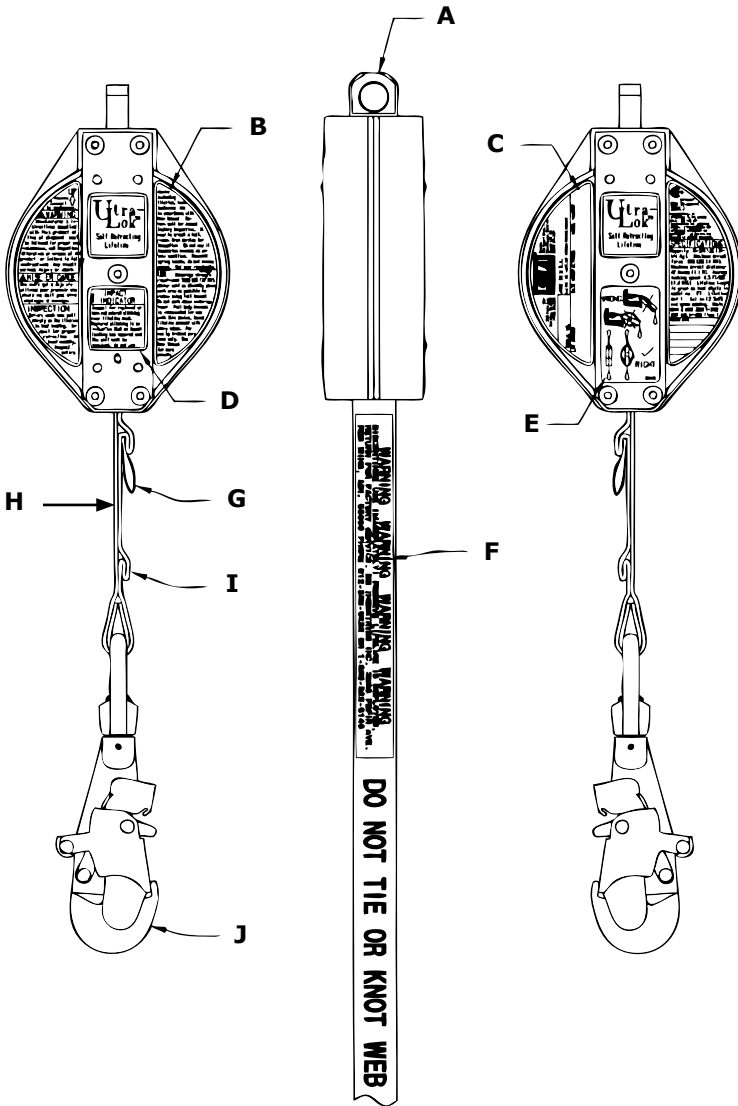


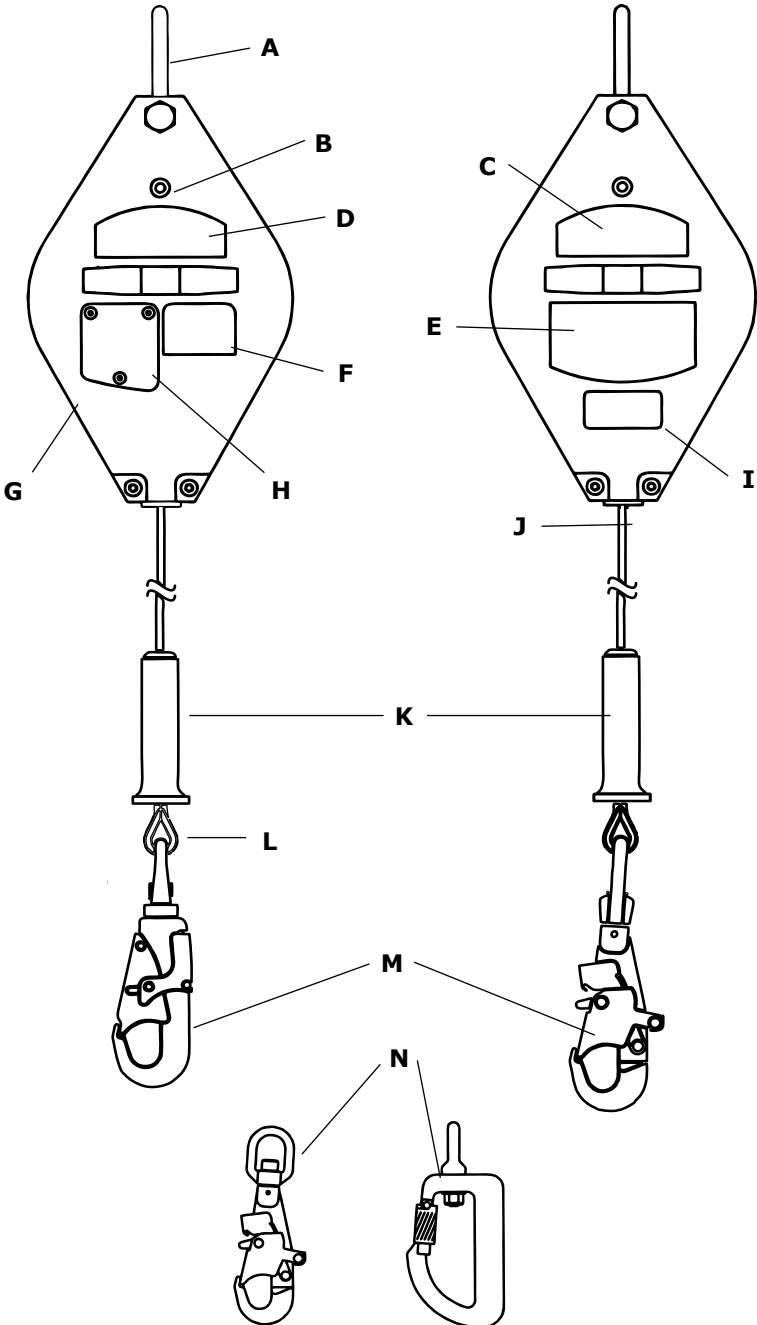
4



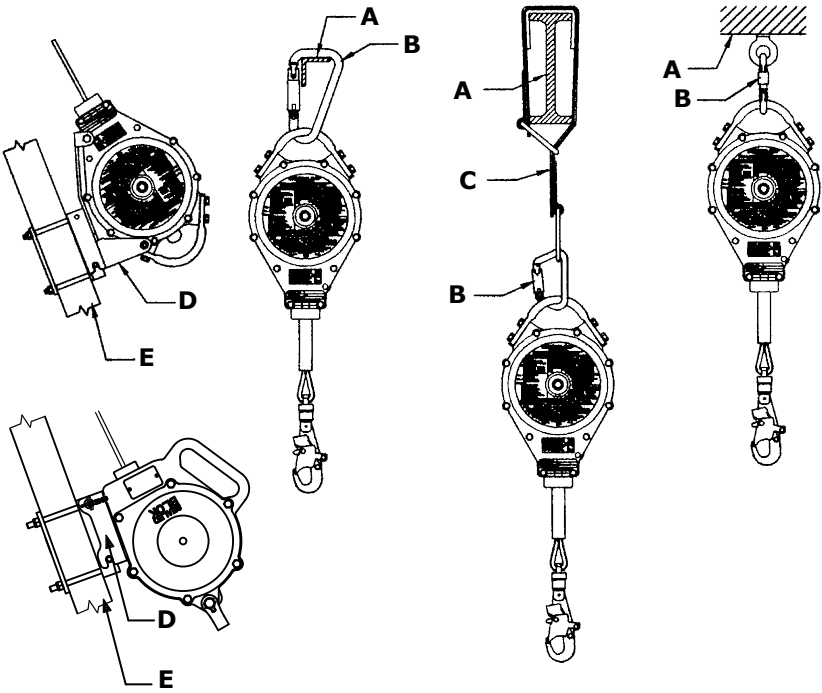




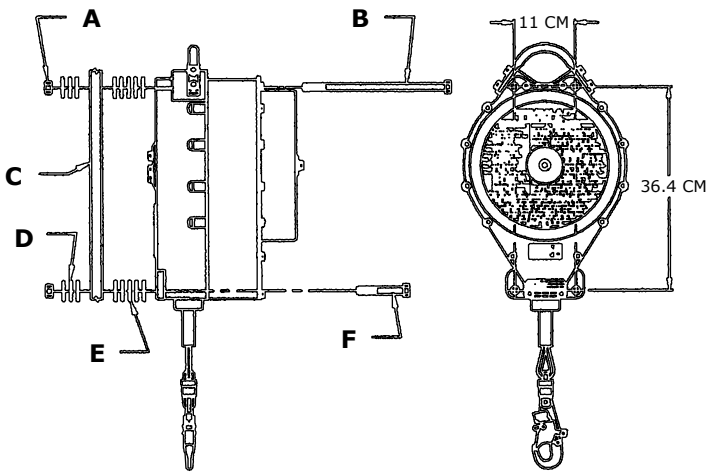




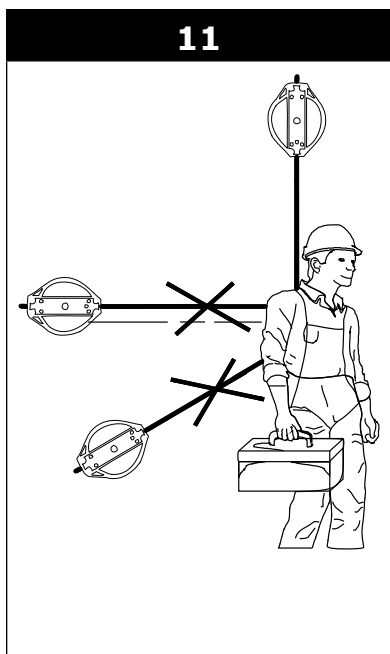
9



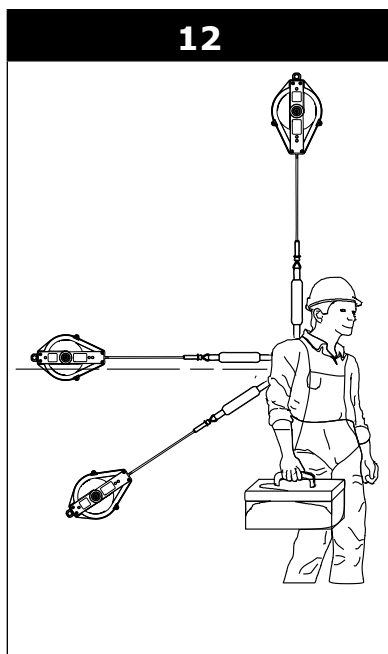
10



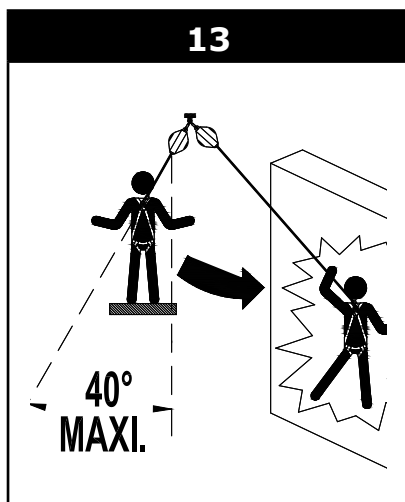
11



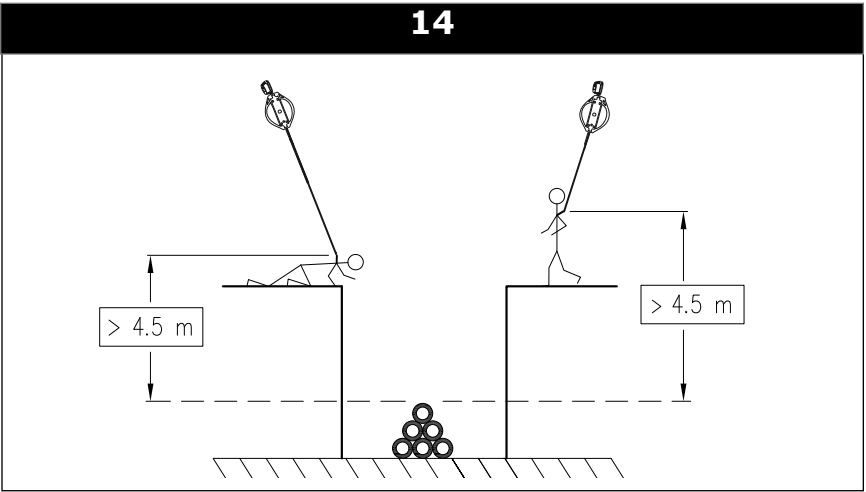
12



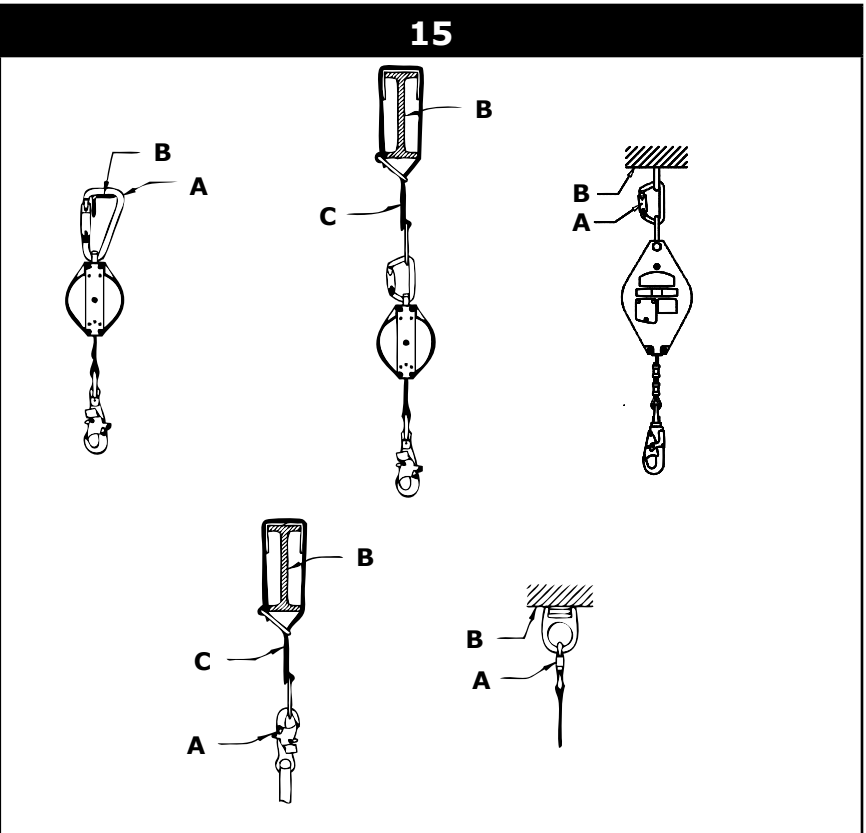
13



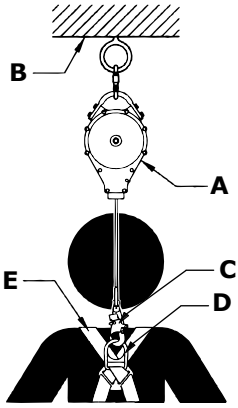
14



15



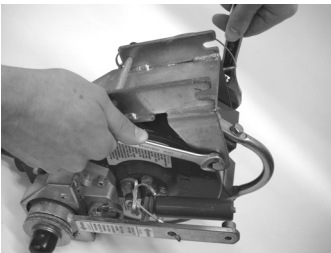
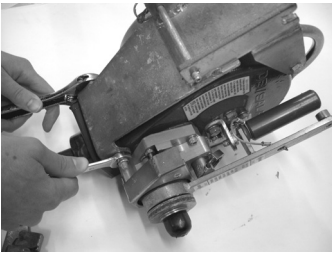
16



17



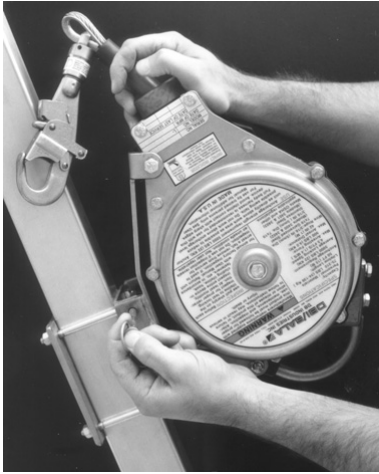
18



19



20



21



22



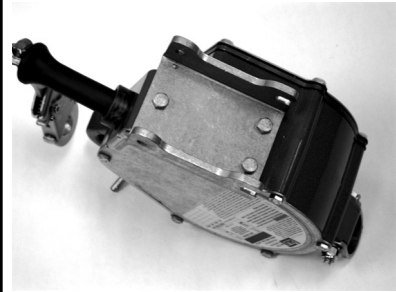
23



24



25



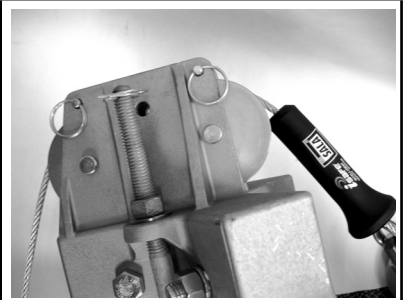
26



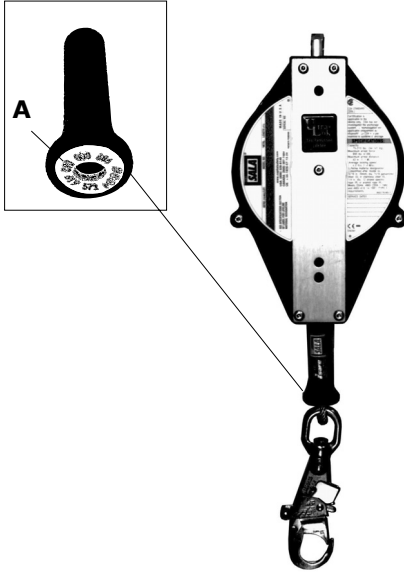
27



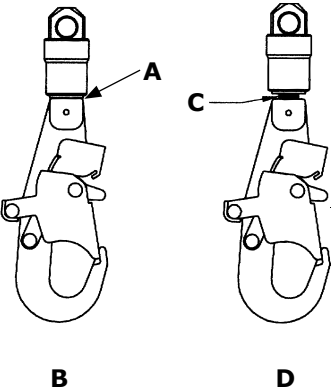
28



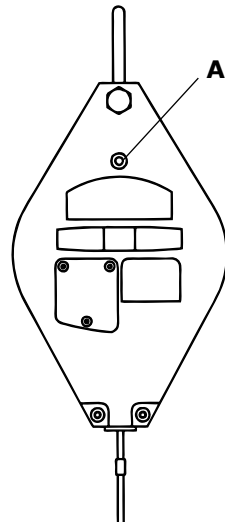
29



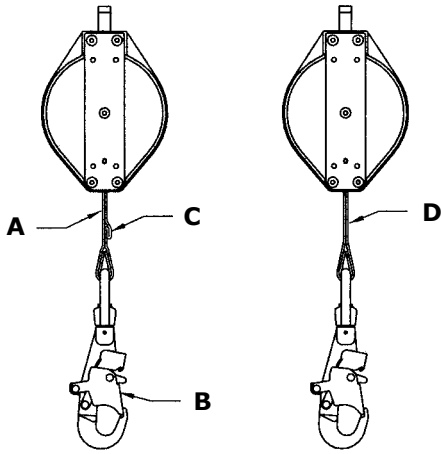
30



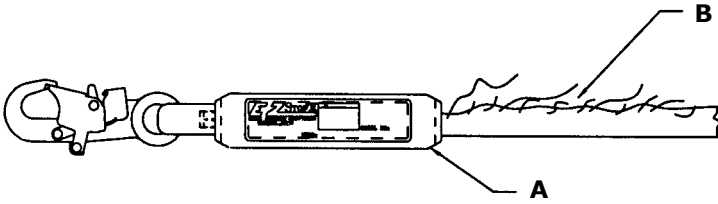
31



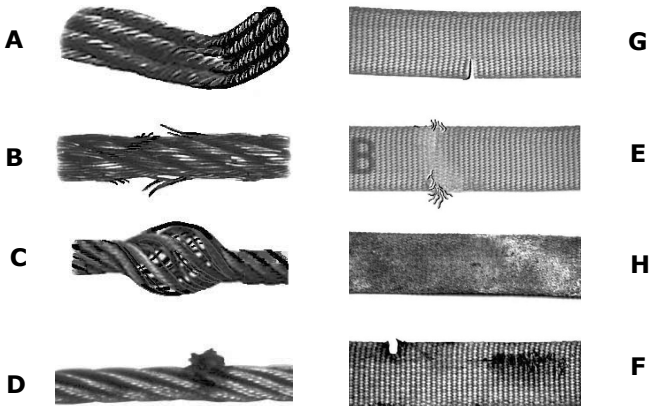
32

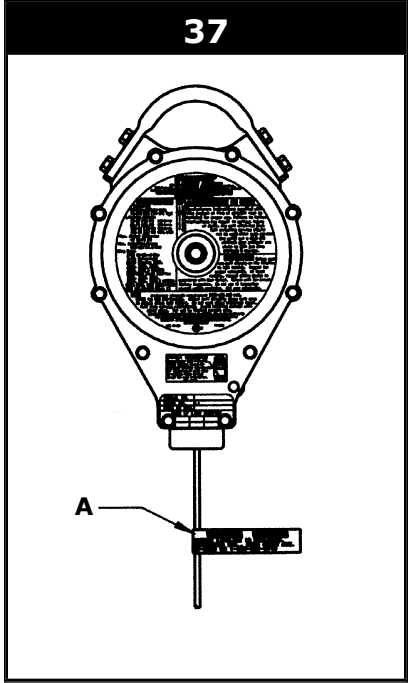
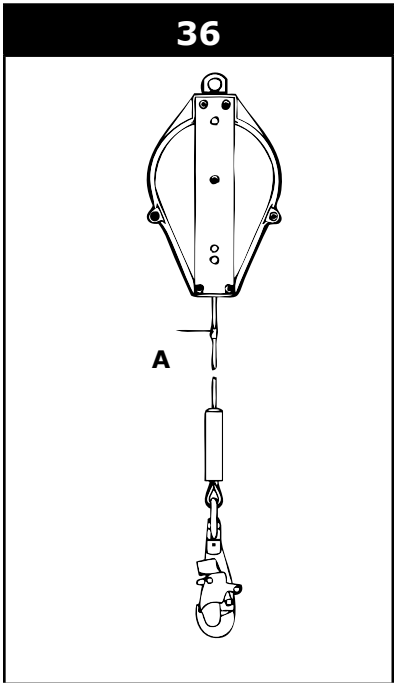
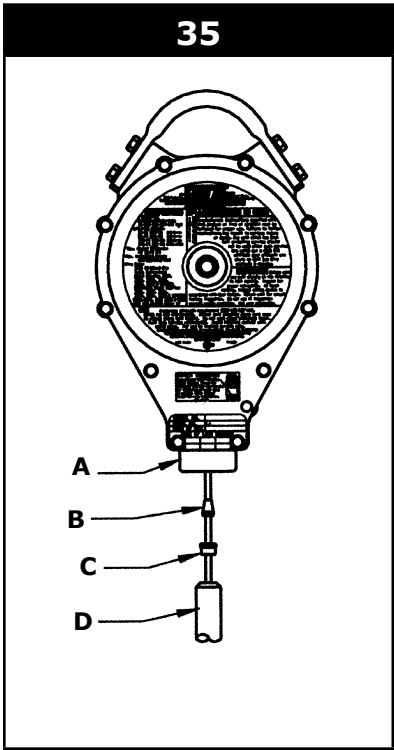


33



34





SPECIFIC INSTRUCTIONS—SELF RETRACTING LIFELINES

You have just purchased a Capital Safety Brand PPE to provide fall protection for workers at height. We would like to thank you for your trust in our equipment. To enjoy the safety and comfort you expect, please keep and follow all instructions. All users and rescuers (see section 12 Terminology) are required to read this manual prior to use.

See 'Glossary' in General Instructions for Use and Maintenance (GIUM) for identification of numbers in a white box.

1.0 PURPOSE/DESCRIPTIONS

Capital Safety Self Retracting Lifelines (SRL) are components in personal fall arrest systems (PFAS). These systems typically include a full body harness, anchorage connector (i.e. carabiner) and the SRL. Use in situations where worker mobility and fall protection is needed (inspection work, general construction, maintenance work, oil production, confined space work, etc.).

Some models feature a retrieval option*. These models have standard fall arrest capabilities when used in their non-retrieval mode. In the retrieval mode these models may be used for emergency rescue (raising or lowering) of personnel within the capacity range stated below. It is also permissible to use retrieval models for raising and lowering of materials within the stated capacity range.

- **SEALED SRLs:** Capital Safety Sealed SRLs incorporate a patented sealed technology that separates all dynamic components from foreign elements such as grease, moisture and dirt for safe operation under all working conditions. See Figure 1: A-Anchorage Handle, B-Instruction Label, C-Housing, D-Impact Indicator Label, E-ID Label, F-Cable Guide, G-Lifeline, H-Bumper, I-Ferrule, J-Self-Locking Snap Hook.
 - ◇ **Sealed SRLs with Retrieval Feature:** See Figure 2: A-Retrieval Arm, B-Retrieval Handle, C-Handle Stowage Bracket, D-Pull Ring, E-Operation Label, F-Shift Knob, G-Retrieval Label, H-Pawl Cover, I-Torque Limiter Label.
- **SEALED-BLOK™ SRLs:** Includes cast aluminum housing and heavy gauge stainless steel or aluminum end plates, anti-ratcheting brake, built-in carrying handle (makes transport easy and provides a secondary “dropped objects protection” attachment point), large pivoting anchorage handle and self-locking swivel hook with impact indicator. See Figure 3: A-Anchorage Handle, B-Housing, C-Instruction Label, D-Cable Guide, E-ID Label, F-Lifeline, G-Bumper, H-RFID Tag; I-Self-Locking Snap Hook.
 - ◇ **Sealed-Blok™ SRLs with Retrieval:** See Figure 4: A-Retrieval Handle, B-Retrieval Label, C-Shift Knob, D-Locking Screw, E-Retrieval Arm (crank arm), F-Winch Operating Label, G-RFID Label.

IMPORTANT: Retrieval equipment may not be suitable for applications requiring frequent or continual use as a material hoist. Consult Capital Safety before using this product for such applications. The retrieval models are not designed to be used for general purpose work positioning or personnel-riding applications.

- **ULTRA-LOK® SRLs:** Capital Safety Ultra-Lok® SRLs come with a durable glass-filled polyurethane housing, wire rope or web lifeline and aluminum side plates for maximum durability and minimum weight. The systems have an anti-racheting twin disc brake system with an audio indicator to let you know it is functioning properly.
- ◊ **ULTRA-LOK® WIRE & SYNTHETIC ROPE STYLE SRLs:**
Includes swivel eye anchorage attachment point, self-locking swivel snap hook with impact indicator, and choice of lifelines in galvanized or stainless steel wire rope, or synthetic rope. Wire rope lifeline lengths are available in 6.1, 9.1, 15.2 and 25.9 m. Synthetic rope lifeline lengths are available in 6.1, 10.7, and 16.8 m. See Figure 5: A-Swivel Eye; B-Inspection Note Label, C-Warning Label, D-Ultra-Lok Label, E-ID Label, F-Connections Label; G-Wire or Synthetic Rope; H-Bumper; I-RFID Tag; J-RFID Tag; K-Self-Locking Hook.
- ◊ **LEADING EDGE SRLs:** Includes swivel eye anchorage attachment point, self-locking swivel snap hook with impact indicator, integral shock pack, and 9.1 m galvanized wire rope lifeline. See Figure 6: A-Swivel Eye; B-Inspection Note Label, C-Warning Label, D-Ultra-Lok Label, E-Connections Label; F-Wire Rope; G-RFID Tag; H-Shock Absorber; I-Self-Locking Snap Hook.
 - **Note:** Capital Safety SRL model 3504500 is designed for use in applications where falls may occur over an edge, such as roofing, leading edge construction, etc. This model is especially suited for use with a fall arrest system, using Capital Safety anchorage connectors intended for leading edge work. We recommend the 2105503 Swiveling Concrete Roof Anchor.
- ◊ **ULTRA-LOK® WEB STYLE SRLs:** Includes swivel eye anchorage attachment point, self-locking snap hook, and 2.54 cm wide nylon web lifeline in lengths of 3.4 m and 6.1 m. See Figure 7: A-Swivel Eye; Labels: B-Warning, C-ID, D-Impact Indicator, E-Connections, F-Reverse Lifeline; G-RFID tag; H-Web Lifeline; I-Indicator Fold; J-Connecting Hook.
- **SB SERIES SRLs:** Includes heavy duty cast aluminum housing, anti-racheting disk brake system, high strength pivoting steel anchorage shackle, reserve lifeline retention and self-locking swivel snap hook with impact indicator. See Figure 8: A-Shackle; B-Impact Indicator, C-SALA Label, D-Impact Indicator Label, E-Warning Label, F-Specifications label, G-Instruction Label (left side), H-ID

Label, I-Instruction Label (right side); J-Wire Rope; K-RFID Tag; L-Tear Drop Thimble; M-Self-Locking Swivel Snap Hook; N-Hook options.

IMPORTANT: See GIUM Sections 1.1 and 1.3 before using this equipment.

IMPORTANT: Before using this equipment, record the product identification information from the ID label (1) into the Equipment Identification Sheet at the end of the GIUM.

2.0 REQUIREMENTS: Installation and use of this equipment is restricted by the following limitations:

- **CAPACITY:** One person. At no time shall more than one person connect to a single SRL for fall arrest applications. Retrieval applications can differ for each model. See Model Supplement for more information.
- **LOCKING SPEED:** Situations which do not allow for an unobstructed fall path should be avoided. Examples include: working in confined or cramped spaces, on slowly shifting material (such as sand or grain) or on a low pitched roof where a worker may slide instead of fall. These situations may not allow the body to reach sufficient speed to cause the SRL to lock if a fall occurs. A clear path is required to assure positive locking of the SRL.
- **ENVIRONMENTAL AND PHYSICAL HAZARDS:** Use of this equipment in areas with environmental hazards may require additional precautions to reduce the possibility of injury to the user or damage to the equipment. Hazards may include, but are not limited to:
 - ◇ **Corrosion:** Do not leave this equipment for long periods in environments where corrosion of metal parts could occur as a result of vapors from organic materials. Use caution when working around sewage or fertilizer because of their high concentration of ammonia, which is very corrosive. Use near seawater or other corrosive environments may require more frequent inspections or servicing to assure corrosion damage is not affecting the performance of the product.
 - ◇ **Chemical:** Solutions containing acids, alkali or other caustic chemicals, particularly at elevated temperatures, may damage DBI-SALA SRLs. When working with such chemicals, frequent inspection of the entire SRL must be completed. Chemical damage to the lifeline is difficult to detect and it is recommended that the lifeline be replaced periodically to ensure safety. The lifeline may only be replaced by an authorized service center.

- ◇ **Heat:** This equipment is not designed for use in high temperature environments. Provide protection for this equipment when using near welding, metal cutting, or similar activities. Hot sparks may burn or damage this equipment.
 - **Note:** Synthetic rope lifelines are not flame proof and must not be exposed to extreme heat. Do not use the following in environments or contact surfaces over the specific temperatures given:
 - *Spectra rope to 60° C*
 - *Vectran rope to 120° C*
- ◇ **Electrical:** Due to the possibility of electric current flowing through the wire rope lifeline, use extreme caution when working near high voltage power lines.

Contact Capital Safety if you have questions about using this equipment where environmental or physical hazards exist.

IMPORTANT: Refer to applicable standards governing this equipment for more information on personal fall arrest or restraint systems and associated system components.

- **COMPATIBILITY OF COMPONENTS:** This equipment is designed for use with Capital Safety approved components and subsystems only. See also GIUM Section 1.12.
- **COMPATIBILITY OF CONNECTORS AND MAKING CONNECTIONS:** Connectors (hooks, carabiners, D-rings) must be capable of supporting at least 22 kN. Connectors must be compatible with the anchorage and other system components and meet EN362 standards. See Figure 9: A-Anchorage; B-Connector; C-Anchorage Connector, D-Mounting Bracket; E-Tripod Leg. See also GIUM Section 5 and Figures for EN362.
- **ANCHORAGE STRENGTH:** The anchorage strength required is dependent on the application type. Anchors must meet requirements of EN795. See also GIUM Section 12.
- **HORIZONTAL SYSTEM:** In applications where an SRL is used in conjunction with a horizontal system (i.e. horizontal I-beams and trolleys), the SRL and horizontal system components must be compatible. Horizontal systems must be designed and installed under the supervision of a qualified engineer.
- **OPTIONAL RETRIEVAL SYSTEM:** When using an SRL with an optional retrieval system, ensure the support structure (i.e. tripod, davit arm) is compatible with the connection, operation, stability and strength of the SRL. See Figure 10-Optional Mounting for Model 3400614: A-Hex Lock Nut, M12 x 1.75, Zinc Plated (ZP);

B-Hex Head Bolt, M12 x 1.75 x 25 cm, Metric Nut Class 8.8, ZP; C-Mounting surface; D-use washers as required; E-Washer, 12 mm, ZP, 5 typical; F-Hex Head Bolt, M12 x 1.75 x 8 cm, Metric Nut Class 8.8, ZP.

3.0 TRAINING

It is the responsibility of the users of this equipment to understand these instructions, and to be trained in the correct installation, use, and maintenance of this equipment. This user manual is not a substitute for a training program.

IMPORTANT: Read GIUM Section 1.1 regarding training.

4.0 PLANNING

BEFORE EACH USE: Read GIUM Section 1.1 "Before each use" and carefully inspect the SRL to assure it is in good working condition by following the steps in Section 7.0. In addition do the following:

- Ensure all bolts are present and secure.
- Pull out the line and allow it to slowly retract. If there is any hesitation in retraction, the unit should be returned to Capital Safety for service.
- Check the locking action by pulling sharply on the line.
- Do not use if inspection reveals an unsafe condition.

IMPORTANT: Read GIUM Sections 1.3, 1.4, 1.12 when planning your system.

PLANNING: Plan your fall protection system before starting your work. Consider factors that may affect your safety before, during, and after a fall. The following list gives some important points to consider:

- **ANCHORAGE:** Select a rigid anchorage point (see Figure 9). See more on anchorage strength in Section 2.0. Carefully select the anchorage location to reduce free fall and swing fall hazards. Optional Mounting for Retrieval Systems is covered in Section 2.0.

IMPORTANT: Only SRLs that can be used in a horizontal mode (indicated by labeling), such as the Leading Edge SRL, may be anchored at foot level or above. See Figure 12. All other SRLs must be anchored above the full body harness attachment (indicated by labeling). See Figure 11.

- **SWING FALLS:** Swing falls occur when the anchorage point is not directly above the point where a fall occurs. See Figure 13. The forces of striking an object in a swing fall may cause serious injury. In a swing fall, the total vertical fall distance will be greater than if the user had fallen directly below the anchorage point, thus

increasing the total free fall distance and the distance required to safely arrest the user. The SRL will activate regardless of its orientation relative to the user. Review your specific application to determine what the appropriate work zone should be. Minimize swing falls by working as directly below the anchorage point as possible. Never permit a swing fall if injury could occur. If a swing fall situation exists in your application contact Capital Safety before proceeding.

- **FALL CLEARANCE:** Ensure adequate clearance exists in your fall path to prevent striking an object. The minimum clearance is 4.5 m from the dorsal D-ring level to the next level of obstruction or object. See Figure 14. Additional clearance is required if potential swing fall exists.
- **SHARP EDGES:** Avoid working where the lifeline will be in contact with or abrade against unprotected sharp edges. Provide protection for the lifeline when possible. An energy absorbing component can sometimes be added in-line to further protect the worker. Compatibility and total fall distance must be considered if this is done. Contact Capital Safety before using an in-line energy absorbing component or lanyard with an SRL.

IMPORTANT: *Even though the Leading Edge SRL (Model 3504500) provides additional protection from falls occurring over edges, protection against cutting must be provided when working near extremely sharp edges such as sheared, cold rolled, or flames cut steel. Edge protection is not required over edges such as hot rolled steel, steel decking, concrete, or wood.*

- **RESCUE:** If a fall occurs, the employer must have a rescue plan and the ability to implement a rescue.
- **AFTER A FALL:** Equipment which has been subjected to fall arrest forces must be removed from service for inspection. See Section 7.
- **OTHER CONSIDERATIONS:** Avoid working where your lifeline may cross or tangle with that of another worker. Do not allow the lifeline to pass under arms or between legs. Never clamp, knot or otherwise prevent the lifeline from retracting or being taut. Avoid slack line. Do not loop the lifeline around small structural members.

IMPORTANT: *Read and follow manufacturer's instructions for associated equipment (i.e. full body harness) used in your personal fall arrest system.*

IMPORTANT: *For special (custom) versions of this product, follow the instructions provided in this manual. See supplement, if included, for additional instructions when using a customized product.*

5.0 ASSEMBLY AND INSTALLATION

- **BODY SUPPORT:** When using Capital Safety SRLs a full body harness (EN361) must be worn. For general fall protection use, connect to the dorsal (back) D-ring between the shoulders.
 - ◇ **Retrieval Operations:** It is recommended that a full body harness be used to retrieve the victim, assuming their medical condition allows for such retrieval. Models are available with retrieval connections (shoulder D-rings) on top of the shoulders to aid in rescue operations.

WARNING: *Body belts are not allowed for free fall situations. They increase the risk of injury during fall arrest in comparison to a full body harness. Limited suspension time and the potential for improperly wearing a body belt may result in added danger to the user's health. See also GIUM Section 2.0.*

- **MAKING CONNECTIONS:** When using a hook or carabiner to make a connection, ensure roll-out cannot occur. See Section 2.0, "Compatibility of Connectors." See Figure 15. Use a locking snap hook or carabiner (A) that will completely close over the anchorage (B) or anchorage connector (C). It is recommended that the Model 340614 attach to a structure in a fixed position (vs. hanging) with the hardware supplied. The mounting surface should meet the anchorage strength requirements stated in Section 2.0, "Anchorage Strength." Follow the manufacturer's instructions supplied with each system component.

6.0 USE

See Figure 16. Connect the SRL (A) to a suitable anchorage (B). Connect the self-locking snap hook (C), to the fall arrest or ladder climbing attachment (D) on the full body harness (E). See Figure 17. Ensure connections are compatible and hook is fully closed and locked. Once attached, the worker is free to move about within the recommended working area at normal speeds. The lifeline should extend smoothly and retract without hesitation. The lifeline must remain taut at all times during normal use. If slack line condition is created during normal use, the unit should be returned to Capital Safety for service. If a fall occurs, the SRL will lock and arrest the fall.

WARNING: *Upon rescue, remove the SRL from use. See GIUM Section 1.2.*

Inspect as described in Section 7.0, "After Fall Arrest." When working with an SRL, always allow the lifeline to recoil back into the device under control. A short tag line may be required to extend or retract the lifeline during connection and disconnection. Allowing the lifeline to be fully extended for long periods of time may cause premature weakening of the retraction spring.

- **RETRIEVAL SYSTEM OPERATION (MODELS 3400101, 3400102, 3400301, 3400302, 3400501, 3400502):** Figure 17 shows how to activate the retrieval mode. Remove the retrieval handle on the back side of the SRL by pushing the release button on top of the handle and pulling upward. Install the pin into the hole on the end of the retrieval arm. Rotate the arm assembly to the side to access the shift knob. Lift the pull ring (on the shift knob) and rotate it counterclockwise 1/8 turn and release. Rotate retrieval arm clockwise to aid engagement. **The shift knob should move inward and rotate to a locked position when drive is fully engaged.**

◇ **To Raise:** Rotate retrieval arm counterclockwise.

◇ **To Lower:** Rotate retrieval arm clockwise. Keep tension on lifeline at all times (34 kg. minimum).

IMPORTANT: *A minimum load of 34 kg is required for lowering or to pay out line.*

IMPORTANT: *If a fall occurs in the fall arrest mode and the worker must be lowered to safety, raise the worker slightly to release the locking pawls and lower the worker.*

IMPORTANT: *Do not continue to rotate the retrieval arm in the lowering direction after the cable is fully extended. Spring damage may occur.*

- ◇ **Disengagement of retrieval mode:** Remove load from the lifeline. Rotate the shift knob counterclockwise 1/8 turn, pull ring out, rotate shift knob clockwise 1/8 turn. Release pull ring. Remove retrieval handle from retrieval arm and stow in stowage bracket. Insert retrieval handle pin through handle and into stowage bracket.
- ◇ **Retrieval overload feature:** SRLs incorporating the retrieval feature (as shown in Figure 17) are provided with an overload clutch which protects the drive components and the person being raised from excessive force. This same feature provides shock absorption for the user if a fall occurs when the retrieval mode is engaged. The overload clutch is set to slip at approximately 227 kg. to allow for emergency rescue applications where additional lifting capacity is required.

IMPORTANT: Capacity for retrieval operation is 210 kg.

IMPORTANT: Operating the retrieval system at loads greater than the rated capacity reduces the overall safety factor. Any unit which has been used above the rated capacity must be removed from service and returned to Capital Safety for inspection.

- ◇ **Mounting Retrieval Models:** The SRL retrieval models as shown in figure 1 and 2, may be used with optional brackets (Capital Safety Part Numbers 3401123 and 3401090) for mounting to the Capital Safety tripod, davit arm, or ladder mast. Follow the steps below for mounting and use of these brackets.

IMPORTANT: If mating bracket for tripod leg is not attached, position clamp plate assembly in desired location on leg and tighten bolts to 20 Nm. Do not overtighten.

- Step 1.** Attach the bracket to the SRL by inserting the two furnished bolts through the holes in the SRL housing. Attach nuts and secure. See Figure 18.
 - Step 2.** After the bracket is secured to the SRL, position the SRL bracket assembly onto mating bracket of tripod, davit arm, or ladder mast. The slot in the end of SRL bracket slides onto the pin extending out each side of the mating bracket. Reposition the tripod leg bracket as required for proper operating height. See Figure 19.
 - Step 3.** With assembly resting on pin, pivot top of SRL inward to align holes. Press in button on the end of the detent pin and slide pin in fully to secure SRL assembly to tripod, davit arm, or ladder mast. See Figure 20.
 - Step 4.** Extend cable up support structure and over pulleys. Reinstall detent pins near pulley to prevent cable from sliding off pulleys. See Figure 21. Figures 22 and 23 show a completed attachment.
- **RETRIEVAL SYSTEM OPERATION (MODELS 340854 AND 340855) (EN360:2002 AND EN1496:2006 CLASSES A,B):** Figure 4 identifies key components of the retrieval system. To activate retrieval mode, rotate the locking screw (D) down completely to free the crank arm (E). Pivot the handle (A) out from the stowed position. To engage the winch, pull and hold the shift knob (C) in the unlocked position. Push the crank arm (E) in to the engaged position and release the shift knob (C). If needed, rotate the crank arm clockwise (lowering) to aid in gear engagement.
- ◇ **To Raise:** Rotate the crank arm counterclockwise. The rescue lifting device shall only be used if an unhindered lifting process is possible and that it shall not be used if obstacles present an hazard.

- ◇ **To Lower:** First crank the crank arm counterclockwise to release the fall arrest brake, then crank clockwise. The lowering function is only intended to lower a person over a maximum distance of 2M.

IMPORTANT: A minimum load of 34 kg is required for lowering or to pay out line. A maximum load for this device is 141KG. A force on the retrieval handle of up to 13 kg is required to operate the winch when loaded to capacity. In addition, there should always be direct or indirect visual contact or some other means of communication with the rescuee at all times during the rescue process.

CAUTION: Stop cranking when line is fully extended or retracted. Continued cranking can damage components.

- ◇ **Disengagement of retrieval mode:** Remove any load from the lifeline. Pull and hold the shift knob in the unlocked position. Pull the crank arm out to the disengaged position and release the shift knob. Secure the crank arm with the locking screw. Pull out on the retrieval handle and rotate the handle to the stowed position.
- ◇ **Retrieval overload feature:** Winches on the SRL models (as shown in Figure 4) do not incorporate an overload clutch to limit the force applied to the drive components and the person being raised. Care must be taken to avoid line slack while in rescue mode. Also, the individual must be monitored during retrieval to ensure they do not become stuck and subjected to excessive force from continued lifting.

IMPORTANT: Operating the retrieval system at loads greater than the rated capacity reduces the overall safety factor. Any unit which has been used above the rated capacity must be removed from service and returned to Capital Safety for inspection.

- ◇ **Mounting Retrieval Models:** The SRL retrieval models (as sjpwm on Figures 3 and 4) may be used with an optional bracket (Model 3401025) for mounting to the Capital Safety tripod, davit arm, or ladder mast. Follow the steps below for mounting and use of this bracket.

IMPORTANT: If mating bracket for tripod leg is not attached, position clamp plate assembly in desired location on leg and tighten bolts to 20 Nm. Do not overtighten.

- Step 1.** Remove the three set screws plugging the holes in the side of the SRL housing. See Figure 24.
- Step 2.** Attach the bracket to the SRL by inserting the three bolts through the holes in the SRL housing. See Figure 25.

- Step 3.** After the bracket is secured to the SRL, position the SRL bracket assembly onto mating bracket of tripod, davit arm, or ladder mast. The slot in the end of SRL bracket slides onto pin extending out each side of mating ladder mast, davit arm, or tripod leg bracket. Reposition tripod leg bracket as required for proper operating height. See Figure 26.
- Step 4.** With assembly resting on pin, pivot top of SRL inward to align holes. Press in button on end of detent pin and slide pin in fully to secure SRL assembly to tripod, davit arm, or ladder mast. See Figure 27.
- Step 5.** Extend cable up support structure and over pulleys. Reinstall detent pins near pulley to prevent cable from sliding off pulleys. See Figure 28.

7.0 INSPECTION

The i-Safe™ RFID tag on SRLs (A) can be used in conjunction with the i-Safe handheld reading device and the web based portal to simplify inspection and inventory control and provide records for your fall protection equipment. See Figure 29.

- **FREQUENCY:** Before each use inspect SRL according to the inspection steps below. SRLs must be inspected by a competent person, other than the user, at least annually. If you are a first-time user, contact a Customer Service representative or if you have already registered, go to: www.capitalsafety.com/isafe.html. Follow instructions provided with your i-Safe handheld reader or on the web portal to transfer your data to your web log. Record the results of each formal inspection in the Periodic Examination and Repair History in the GIUM (5902392) or use the i-Safe™ inspection web portal to maintain your inspection records. See GIUM Section 4.

A record of annual service dates can be found on the SRL labels.

- ◇ **After Fall Arrest:** Inspect load impact indicator and entire SRL.
- ◇ **After Use of Retrieval Mode:** After raising or lowering, inspect the load impact indicator and entire SRL. Applications which require continuous raising and lowering may require increased inspection and servicing frequency. Contact Capital Safety if you have any questions regarding inspection frequency.

WARNING: See GIUM 1.2 if the SRL has been subjected to fall arrest or impact forces.

IMPORTANT: Extreme working conditions (harsh environment, prolonged use) may require increasing the frequency of inspections.

- **GENERAL INSPECTION STEPS:**

Step 1. Inspect for loose screws, bolts and bent or damaged parts.

Step 2. Inspect housing for distortion, cracks, or other damage.

UltraLok Models Only: Ensure the swivel eye is not damaged or distorted in any way. Ensure the swivel eye turns freely.

SB Series Only: Ensure the shackle moves freely and is free from distortion, cracks, burrs and worn parts. Ensure the the nut is fully tightened.

Step 3. Inspect the load impact indicator. This inspection is dependent on the type of SRL used. Follow the detailed instructions for your SRL type:

◇ **UltraLok Cable and Rope Style SRLs:** See Figure 30. Inspect the impact indicator (A). In “normal mode” (B) you should look for exposed color band (C) on the hook. If the hook is in the “indicated mode” (D), an impact loading has occurred.

- **Note:** Do not attempt to reset impact indicator. Swivel will not turn freely in “indicated mode.”

◇ **SB SRLs:** See Figure 31. Check the red impact indicator button (A), to be sure it is flush with the housing. If the button is not flush with the housing, the block has been deployed.

◇ **UltraLok Web Style SRLs:** See Figure 32. These SRLs incorporate an impact indicator in the web lifeline (A). The web near the hook end (B) of the lifeline is folded onto itself and stitched with red thread, forming a small loop (C). The stitched loop will pull out at approximately 1.6 kN. If the red stitching is intact, the SRL has not been impacted. If the red stitching has been broken and the loop torn apart (D), the SRL has been impact loaded.

◇ **UltraLok Leading Edge Style SRLs:** See Figure 33. The 3504500 leading edge style SRLs incorporate an integral energy absorbing component. Inspect the energy absorber to determine if it has been activated. There should be no evidence of elongation (B). Ensure energy absorber cover (A) is secure and not torn or damaged.

WARNING: If inspection reveals a defective condition, remove SRL from service immediately and contact an authorized service center.

Step 4. Lifeline should pull out and retract fully without hesitation or creating a slack line condition. The lifeline must be taught (under tension). Ensure device locks up when lifeline is jerked sharply. Lockup should be positive with no slipping.

Step 5. The labels must be present and fully legible. See Model Supplement.

Step 6. Look for signs of corrosion on the entire unit.

Step 7. Inspect lifeline.

- ◇ **Wire Rope Models:** See Figure 34. Inspect lifeline for cuts, kinks (A), broken wires (B), bird-caging (C), corrosion, welding splatter (D), chemical contact areas, or severely abraded areas. Slide up cable bumper and inspect ferrules for cracks or damage and inspect wire rope for corrosion and broken wires.
 - **Note:** Replace the wire rope assembly if there are six or more randomly distributed broken wires in one lay, or three or more broken wires in one strand in one lay. A “lay” of wire rope is the length of wire rope it takes for a strand (the larger groups of wires) to complete one revolution or twist along the rope. Replace the wire rope assembly if there are any broken wires within 25mm of the ferrules.
- ◇ **Web or Synthetic Rope Models:** See Figure 34. Inspect lifeline for concentrated wear, frayed strands (E), broken yarn, burns (F), cuts (G), and abrasions. The lifeline must be free of knots throughout its length. Inspect for excessive soiling (H), paint buildup, and rust staining. Inspect for chemical or heat damage indicated by brown, discolored, or brittle areas. Inspect for ultraviolet damage indicated by discoloration and the presence of splinters and slivers on the lifeline surface.
 - **NOTE:** All of the above factors are known to reduce rope strength. Rope strength is reduced proportional to the cross-sectional area of the rope damaged. Damaged or questionable ropes must be replaced.

WARNING: Do not tie or knot lifeline. Avoid lifeline contact with sharp or abrasive surfaces. Inspect lifeline frequently for cuts, fraying, burns, or signs of chemical damage. Dirt, contaminants, and water can lower dielectric properties of the lifeline. Use caution near power lines.

Step 8. Inspect connecting hooks, if present, for signs of damage, corrosion, and working condition. Swivel should rotate freely.

Step 9. Inspect the reserve lifeline payout, if present, by checking indicators:

- ◇ **Wire Rope Lifeline Models (Excluding SB Series):** See Figure 35: A-Cable Guide; B-Cable Stop; C-Cable Guide Sleeve; D-Bumper. See Figure 36: A-Reserve Lifeline Red Band. If a fall has been arrested when most of the lifeline was out, it is possible that the reserve lifeline has been deployed. To inspect for

reserve lifeline deployment, pull lifeline out of the SRL until it stops. If the red band indicator is visible, the reserve lifeline has been deployed. If the reserve lifeline has not been deployed, that portion is acceptable and the inspection can continue.

- ◇ **SB Series Models:** These SRLs do not have a reserve lifeline feature.
- ◇ **UltraLok Web Lifeline Models:** Inspect the reserve lifeline payout. If a fall has been arrested with most of the lifeline out, the reserve lifeline may have been deployed. Pull the lifeline out of the SRL until it stops. If the reserve lifeline label (F) is visible, as shown in Figure 7, the reserve lifeline is deployed and the unit must be serviced by an authorized service center before reuse. If the reserve lifeline has not been deployed, continue with inspection.
- ◇ **Synthetic Rope Lifeline Models:** Inspect the reserve lifeline payout. If a fall has been arrested, it is possible the reserve lifeline has been deployed. To inspect for reserve lifeline deployment, pull lifeline out of the SRL until it stops. If the reserve lifeline warning label (A) is visible, the reserve lifeline has been deployed. See Figure 37. If the reserve lifeline has not been deployed (the reserve lifeline label is not visible) that portion is acceptable and the inspection can continue.

IMPORTANT: *If indicators are visible, the unit must be serviced by an authorized service center before reuse.*

Step 10. Inspect each system component or subsystem according to manufacturer's instructions.

- **INSPECTION STEPS FOR RETRIEVAL COMPONENTS:** (MODELS 3400101, 3400102, 3400301, 3400302, 3400501, 3400502) See Figure 2

Step 11. Inspect retrieval arm (A) for distortion or other damage. Retrieval handle (B) should engage into retrieval arm with ease and push button should work freely.

Step 12. Shift knob (F) should rotate freely when engaging/disengaging. Pull ring (D) on shift knob should spring back when released.

Step 13. Inspect retrieval mode for operation. To test, raise and lower a test weight (sand bag) of between 34 kg and 141 kg. Retrieval operation should be smooth and even. When the retrieval handle (B) is released, the weight should not move and retrieval handle should stay in position (no movement). A "clicking" sound should be evident when raising load.

Step 14. The pawl cover (H) (see Figure 3) must be secure and without deformation. Optional mounting bracket must be securely attached to SRL and free from defects. Detent pin must operate freely.

- **INSPECTION STEPS FOR RETRIEVAL COMPONENTS:** (MODELS 340854 AND 340855) See Figure 4

Step 11. Inspect the retrieval arm (E) for distortion or other damage. Ensure that the retrieval handle (A) can be rotated out and secured in the cranking position.

Step 12. Ensure the locking screw (D) can be tightened completely.

Step 13. Ensure the shift knob (C) can be pulled out to the unlocked position and then released, locking the crank arm (E) in both the engaged and disengaged positions.

Step 14. Test the retrieval mode for proper operation by raising and lowering a test weight of between 34-141 kg (sand bag). Retrieval operation should be smooth and even. When the retrieval handle (A) is released, the weight should not move and the retrieval handle (A) should remain in position (no movement). A “clicking” sound should be evident when raising the load.

- **PROCEDURE FOR DEFECTIVE CONDITION:** See GIUM Sec. 1.2.

IMPORTANT: Only Capital Safety or parties authorized in writing may make repairs to this equipment.

8.0 PRODUCT LIFE

As long as the SRL passes inspection by a competent person¹, it may remain in service. See GIUM 4.2 and Section 1.16 for warranty information.

9.0 MAINTENANCE, STORAGE, TRANSPORT (See GIUM Sec. 3)

• **MAINTENANCE**

- ◇ Position the SRL so excess water can drain out.
- ◇ Clean labels as required.
- ◇ Follow GIUM Sections 3.1 and 3.2. An excessive buildup of dirt, paint, etc. may prevent the lifeline from fully retracting back into the housing causing a potential free fall hazard. Replace lifeline if excessive buildup is present.

¹ *Competent Person: An individual who is knowledgeable of a manufacturer's recommendations, instructions, and manufactured component who is capable of identifying existing and predictable hazards in proper selection, use, and maintenance of fall protection.*

◇ Do not lubricate any parts.

WARNING: *If the lifeline contacts acids, remove unit from service and wash with water and mild soap solution. Inspect unit before returning to service.*

- **STORAGE:** See GIUM Section 3.3. Thoroughly inspect the SRL after any period of extended storage.
- **TRANSPORT:** See GIUM Section 3.4.

10.0 SERVICE

Lifeline replacement, as well as additional maintenance and servicing procedures, must be completed by an authorized service center. An authorization and return number must be issued by Capital Safety. Do not disassemble the SRL. See Section 7.0 for inspection frequency.

11.0 SPECIFICATIONS AND LABELS (SEE MODEL SUPPLEMENT)

12.0 TERMINOLOGY

RESCUER: Person or persons other than the rescue subject acting to perform an assisted rescue by operation of a rescue system.

COMPETENT PERSON: See GIUM Section 16.

FR INSTRUCTIONS SPÉCIFIQUES - LIGNES DE VIE AUTORÉTRACTABLES

Vous venez d'acheter un équipement de protection personnelle de marque Capital Safety Brand qui fournit une protection antichute destinée aux ouvriers travaillant en hauteur. Nous voudrions vous remercier de la confiance que vous portez à notre équipement. Pour bénéficier de la sécurité et du confort que vous attendez, veuillez conserver et suivre toutes les instructions. Tous les utilisateurs et les sauveteurs (voir la section 12 Terminologie) doivent impérativement lire ce manuel avant d'utiliser l'équipement.

Voir le « Glossaire » dans le « Mode d'emploi général pour l'utilisation et l'entretien » (GIUM) pour l'identification des articles dans les encadrés blancs.

1.0 OBJECTIF/DESCRIPTIONS

Les lignes de vie autorétractables (Self Retracting Lifeline, SRL) de Capital Safety sont des composants des systèmes antichute personnels (personal fall arrest systems, PFAS). Ces systèmes comprennent généralement un baudrier complet, un connecteur d'ancrage (mousqueton) et la SRL. À utiliser dans les situations nécessitant le maintien de la mobilité du travailleur et sa protection en cas de chute (travail d'inspection, construction, maintenance, production pétrolière, travail en espace confiné, etc.).

Certains modèles offrent une option récupération*. Ces modèles possèdent des capacités antichute standard lorsqu'ils sont utilisés en mode non-récupération. En mode récupération, ces modèles peuvent être utilisés pour un sauvetage d'urgence (élévation ou abaissement) de personnes dans les limites de capacité mentionnées plus loin. Les modèles à récupération peuvent également être utilisés pour élever ou abaisser du matériel dans les limites de capacité mentionnées plus loin.

- **SRL SCÉLLÉES** : les SRL scellées de Capital Safety incorporent une technologie brevetée scellée qui sépare tous les composants dynamiques d'éléments étrangers tels que la graisse, l'humidité et la saleté, permettant un fonctionnement sécurisé en toutes circonstances de travail. Voir figure 1 : A-poignée d'ancrage, B-étiquette d'instructions, C-logement, D-étiquette d'indicateur d'impact, E-étiquette d'identification, F-guide de câble, G-ligne de vie, H-butoir, I-bague d'extrémité, J-crochet à pression autobloquant.
 - ◇ **SRL scellées avec option récupération** : voir figure 2 : A-bras de récupération, B-poignée de récupération, C-taquet de rangement de la poignée, D-bague de traction, E-étiquette de fonctionnement, F-bouton de verrouillage, G-étiquette de récupération, H-protection du cliquet, I-étiquette de limiteur de couple.
- **SRL SEALED-BLOK™** : comprend un logement en fonte d'aluminium et des fonds de capot en acier inoxydable ou en aluminium, frein antiblocage, poignée de transport intégrée (pour un transport facile et un point d'attache secondaire pour la protection contre la chute d'objets), grosse poignée d'ancrage pivotante, et crochet tournant autobloquant avec indicateur d'impact. Voir figure 3 : A-poignée d'ancrage, B-logement, C-étiquette d'instructions, D-guide de câble, E-étiquette d'identification, F-ligne de vie, G-butoir, H-étiquette d'identification par

radiofréquence, I-crochet à pression autobloquant.

- ◇ **SRL sealed-Blok™ avec récupération** : voir figure 4 : A-poignée de récupération, B-étiquette de récupération, C-bouton de verrouillage, D-vis de blocage, E-bras de récupération (manivelle), F-étiquette de fonctionnement du treuil, G-étiquette d'identification par radiofréquence.

IMPORTANT : *l'équipement de récupération peut ne pas convenir aux applications nécessitant l'utilisation fréquente ou continue comme monte-charge de matériaux. Veuillez consulter Capital Safety avant d'utiliser ce produit pour de telles applications. Les modèles à récupération ne sont pas conçus pour être utilisés aux fins générales de positionnement du travail ou de déplacement du personnel.*

- **SRL ULTRA-LOK®** : les SRL Ultra-Lok® de Capital Safety comprennent un solide boîtier de polyuréthane armé de verre, un câble antitorsin ou cordage de sécurité, et des fonds de capot en aluminium garantissant une solidité maximale pour un poids minimum. Les systèmes ont un double frein à disque antiblocage avec un indicateur audio vous confirmant qu'ils fonctionnent correctement.
- ◇ **SRL ULTRA-LOK® À CÂBLES MÉTALLIQUES ET SYNTHÉTIQUES** : comprennent un point d'ancrage à émerillon, un mousqueton à pivot avec indicateur d'impact, et le choix entre des lignes de vie en câbles d'acier galvanisé ou d'acier inoxydable, et des câbles synthétiques. Les longueurs de câbles métalliques sont les suivantes : 6,1, 9,1, 15,2 et 25,9 m. Les lignes de vie en câble synthétique existent en 6,1, 10,7 et 16,8 m. Voir figure 5 : A-émerillon, B-étiquette d'inspection, C-étiquette d'avertissement, D-étiquette Ultra-Lok, E-étiquette d'identification, F-étiquette de connexions, G-câble métallique ou synthétique, H-butoir, I-étiquette d'identification par radiofréquence, J-étiquette d'identification par radiofréquence, K-crochet autobloquant.
- ◇ **SRL LEADING EDGE** : comprend un point d'ancrage à émerillon, un mousqueton à pivot autobloquant avec indicateur d'impact, amortisseur de choc intégral, et une ligne de vie en câble métallique galvanisé de 9,1 mètres. Voir figure 6 : A-émerillon, B-étiquette d'inspection, C-étiquette d'avertissement, D-étiquette Ultra-Lok, E-étiquette de connexions, F-câble métallique, G-étiquette d'identification par radiofréquence, H-amortisseur de choc, I-crochet à pression autobloquant.
- **Note** : la SRL 3504500 de Capital Safety est conçue pour être utilisée dans des applications où des chutes peuvent se produire sur une arête, comme dans le cas de travaux de toiture, de construction de pointe, etc. Ce modèle convient particulièrement à l'utilisation avec un système d'antichute, à l'aide des connecteurs d'ancrage Capital Safety destinés au travail de pointe. Nous recommandons l'ancrage escamotable de toiture en béton 2105503.
- ◇ **SRL ULTRA-LOK® À SANGLE** : comprend un point d'ancrage à

émerillon, un crochet à pression autobloquant et une ligne de vie en sangle de nylon de 2,54 cm de largeur en longueurs de 3,4 m et 6,1 m. Voir figure 7 : A-émerillon, étiquettes : B-avertissement, C-identification, D-indicateur d'impact, E-connexions, F-ligne de vie inversée; G-identification par radiofréquence, H-ligne de vie en sangle, I-indicateur, I-crochet de connexion.

- **SRL SÉRIE SB** : comprend un logement en fonte d'aluminium, un système de freins à disque antiblocage, un arceau d'ancrage pivotant en acier de haute résistance, la rétention d'une ligne de vie de réserve, et un mousqueton à pivot autobloquant avec indicateur d'impact. Voir figure 8 : A-arceau, B-indicateur d'impact, C-étiquette SALA, D-étiquette d'indicateur d'impact, E-étiquette d'avertissement, F-étiquette de spécifications, G-étiquette d'instructions (côté gauche), H-étiquette d'identification, I-étiquette, I-étiquette d'instructions (côté droit), J-câble métallique, K-étiquette d'identification par radiofréquence, L-œillet en forme de poire, M-mousqueton à pivot autobloquant, N-options de crochets.

IMPORTANT : voir sections GIUM 1.1 et 1.3 avant d'utiliser cet équipement.

IMPORTANT : avant d'utiliser cet équipement, consigner les informations d'identification du produit se trouvant sur l'étiquette d'identification (1) sur la fiche d'identification de l'équipement à la fin du manuel GIUM.

2.0 CONDITIONS : il est indispensable de respecter les limitations suivantes lors de l'installation et de l'utilisation de cet équipement :

- **CAPACITÉ** : une personne. Il ne peut y avoir, à aucun moment, plus d'une personne connectée à une SRL dans toute application anti-chute. Les applications de récupération peuvent différer d'un modèle à l'autre. Voir le supplément fourni avec chaque modèle pour plus d'informations.
- **VITESSE DE BLOCAGE** : les situations qui ne permettent pas un chemin de chute non obstrué doivent être évitées. Exemples : travail dans des espaces confinés ou encombrés, sur du matériau à motion lente (comme du sable ou du grain) ou sur un toit à pente douce sur lequel un travailleur pourrait glisser au lieu de tomber. Ces situations peuvent empêcher le corps d'atteindre une vitesse suffisante pour provoquer le blocage de la SRL en cas de chute. Un environnement dégagé est indispensable pour assurer un verrouillage correct de la SRL.
- **RISQUES ENVIRONNEMENTAUX ET PHYSIQUES** : l'utilisation de ce matériel dans des zones présentant des risques environnementaux peut nécessiter des précautions supplémentaires afin de limiter les risques de lésion à l'utilisateur ou de dommages du matériel. Les risques pourraient comprendre, notamment et sans limitation :
 - ◇ **Corrosion** : ne pas laisser cet équipement pendant de longues périodes dans des environnements pouvant causer une corrosion des éléments métalliques du fait de la libération dans l'atmosphère de vapeurs par des matières organiques. Utiliser avec précaution lors d'interventions à proximité d'eaux usées ou d'engrais en

raison de leur concentration élevée en ammoniac, qui est particulièrement corrosif. Toute utilisation près de l'eau de mer ou autres environnements corrosifs peut exiger des inspections ou révisions plus fréquentes afin de veiller à ce que les dommages de corrosion n'affectent pas la performance du produit.

- ◇ **Danger chimique** : les solutions contenant des acides, des alcalis ou autres produits chimiques caustiques, plus particulièrement à des températures élevées, peuvent endommager les SRL DBI-SALA. Si ces éléments chimiques sont présents dans l'environnement de travail, inspecter fréquemment la SRL. Les dommages chimiques à la ligne de vie sont difficiles à détecter, et il est recommandé de remplacer la ligne de vie régulièrement afin d'assurer la sécurité. La ligne de vie doit impérativement être remplacée par un centre de service agréé.
- ◇ **Chaleur** : cet équipement n'est pas conçu pour être utilisé dans des environnements à haute température. En cas d'utilisation à proximité de postes de soudure, de coupe de métal ou d'activités similaires, il faut protéger l'équipement. Des projections brûlantes peuvent brûler ou endommager l'équipement.
 - **Note** : les lignes de vie en câble synthétique ne sont pas ignifugées et ne doivent pas être exposées à de fortes chaleurs. Ne pas utiliser les câbles suivants dans des environnements ou sur des surfaces de contact à des températures supérieures à celles indiquées :
 - *Spectra rope jusqu'à 60 °C*
 - *Vectran rope jusqu'à 120 °C*
- ◇ **Électricité** : du fait de la possibilité du passage de courant électrique dans le câble métallique de la ligne de vie, veuillez utiliser la plus extrême prudence lorsque vous travaillez à proximité de lignes à haute tension.

Contactez Capital Safety pour toute question concernant l'utilisation de ce matériel en cas de risques environnementaux ou physiques.

IMPORTANT : veuillez vous référer aux normes en vigueur concernant cet équipement pour plus d'informations sur l'arrêt des chutes individuel ou les systèmes de retenue et sur les composants associés à ces systèmes.

- **COMPATIBILITÉ DES COMPOSANTS** : cet équipement est destiné à être utilisé exclusivement avec des composants et des sous-systèmes agréés par Capital Safety. Voir aussi le manuel GIUM, section 1.12.
- **COMPATIBILITÉ DES CONNECTEURS, ET RÉALISATION DES CONNEXIONS** : les connecteurs (crochets, mousquetons, anneaux-étriers) doivent pouvoir supporter au moins 22 kN. Les connecteurs doivent être compatibles avec l'ancrage et tout autre composant du système et satisfaire aux normes EN362. Voir figure 9 : A-ancrage, B-connecteur, C-connecteur de l'ancrage, support de fixation, E-trépied. Voir également le manuel GIUM, section 5 et les figures de l'EN362.

- **PUISSANCE D'ANCRAGE** : la puissance d'ancrage requise dépend du type d'application. Les ancrages doivent respecter les conditions de l'EN795. Voir aussi le manuel GIUM, section 12.
- **SYSTÈME HORIZONTAL** : dans les applications utilisant une SRL en conjonction avec un système horizontal (c'est-à-dire avec des poutres en I et des chariots horizontaux), la SRL et les composants du système horizontal doivent être compatibles. Les systèmes horizontaux doivent être conçus et installés sous le contrôle d'un ingénieur agréé.
- **SYSTÈME OPTIONNEL DE RÉCUPÉRATION** : en cas d'utilisation d'une SRL avec un système optionnel de récupération, veuillez vous assurer que la structure de soutien (trépied, potence) est compatible avec la connexion, le fonctionnement, la stabilité et la puissance de la SRL. Voir figure 10-montage optionnel pour le modèle 3400614 : A-contre-écrou hexagonal, M12 x 1,75, galvanisé (ZP), B-boulon à tête hexagonale, M12 x 1,75 x 25 cm, catégorie d'écrou métrique 8,8, ZP, C-surface de montage, D-utiliser des rondelles si requis, E-rondelle, 12 mm, ZP, 5 normal, F-boulon à tête hexagonale, M12 x 1,75 x 8 cm, catégorie d'écrou métrique 8,8, ZP.

3.0 FORMATION

Il est de la responsabilité des utilisateurs de ce matériel de comprendre ces instructions et de se former à l'installation, l'utilisation et la maintenance de cet équipement. Ce manuel de l'utilisateur ne prétend pas remplacer un programme de formation.

IMPORTANT : veuillez lire le manuel GIUM, section 1.1 concernant la formation.

4.0 PLANIFICATION

AVANT CHAQUE UTILISATION : lisez le manuel GIUM, section 1.1 « Avant chaque utilisation » et inspectez soigneusement la SRL pour vous assurer qu'elle est en bon état de fonctionnement, en suivant les points décrits à la section 7.0. Effectuez également les vérifications suivantes :

- Vérifiez que tous les boulons sont présents et serrés.
- Tirez la ligne et laissez-la se rétracter lentement. S'il y a la moindre hésitation dans la rétractation, l'appareil doit être renvoyé à Capital Service pour entretien.
- Vérifiez l'action de blocage en tirant brusquement sur la ligne.
- Ne pas utiliser l'équipement si l'inspection indique un état dangereux.

IMPORTANT : lisez le manuel GIUM, sections 1.3, 1.4, 1.12 lorsque vous préparez votre système.

PLANIFIEZ : planifiez votre système antichute avant de commencer à travailler. Prenez en compte les facteurs qui pourraient affecter votre sécurité avant, pendant et après une chute. La liste suivante inclut quelques points importants à considérer :

- **ANCRAGE** : sélectionnez un point d’ancrage rigide (voir figure 9). Pour plus d’informations sur la puissance d’ancrage, veuillez vous référer à la section 2.0. Sélectionnez soigneusement l’endroit de l’ancrage afin de réduire le risque de chute libre et de chute balancée. Les systèmes de montage optionnels pour les systèmes à récupération sont décrits à la section 2.0.

IMPORTANT : seules les SRL pouvant être utilisées en mode horizontal (tel qu’indiqué sur l’étiquette), comme la SRL Leading Edge, peuvent être ancrées au niveau du pied ou plus haut. Voir la figure 12. Toutes les autres SRL doivent être ancrées au-dessus du point d’attache du baudrier complet (tel qu’indiqué sur l’étiquette). Voir la figure 11.

- **CHUTES BALANÇÉES** : les chutes balancées se produisent lorsque le point d’ancrage ne se trouve pas directement au-dessus du point de la chute. Voir la figure 13. Heurter un objet pendant le balancement consécutif à une chute peut causer des blessures graves ou la mort. En cas de chute balancée, la distance totale de chute verticale sera plus importante que si la personne était tombée directement sous le point d’ancrage, ce qui augmente la distance totale de chute libre et la distance requise pour arrêter en toute sécurité la personne qui tombe. La SRL est activée quelle que soit l’orientation relative de l’utilisateur. Veuillez revoir votre application spécifique pour déterminer quelle est la zone de travail appropriée. Évitez le risque de chutes balancées en travaillant autant que possible directement sous le point d’ancrage. Évitez tout risque de chute balancée si des risques de blessure sont présents. Si un danger de chute balancée existe, contactez Capital Safety avant de poursuivre.
- **ESPACE DE CHUTE** : assurez-vous qu’il existe suffisamment d’espace sur le chemin de chute pour éviter de frapper un objet. L’espace minimum est de 4,5 mètres à partir du niveau dorsal de l’étrier jusqu’au niveau d’obstruction suivant, ou jusqu’à l’objet suivant. Voir la figure 14. S’il existe un risque de chute balancée, il faut prévoir plus d’espace de chute.
- **ARÊTES VIVES** : évitez de travailler dans les endroits où la ligne de vie risque d’entrer en contact avec, ou de frotter contre des bords tranchants non protégés. Protégez la ligne de vie autant que possible. Un composant amortisseur peut parfois être ajouté à la ligne pour mieux protéger le travailleur. Dans ce cas, la compatibilité et la distance de chute totale doivent être prises en compte. Veuillez contacter Capital Safety avant d’utiliser un composant amortisseur ou un cordon pour la ligne avec une SRL.

IMPORTANT : bien que la SRL Leading Edge (modèle 3504500) offre une meilleure protection contre les chutes sur des arêtes, la protection contre les coupures doit être prévue si l’on travaille à proximité d’arêtes extrêmement vives telles que de l’acier corroyé, laminé à froid ou coupé au gaz. La protection des arêtes n’est pas requise pour des arêtes en acier laminé à chaud, en plâtrage de tôle, en béton ou en bois.

- **SAUVETAGE** : l'employeur doit disposer d'un plan de sauvetage et des moyens de l'appliquer en cas de chute.
- **APRÈS UNE CHUTE** : l'équipement qui a été soumis aux forces anti-chute doit être retiré et inspecté. Voir la section 7.
- **AUTRES CONSIDÉRATIONS** : éviter de travailler dans la zone où votre ligne de vie pourrait se croiser ou s'emmêler avec celle d'un autre ouvrier. Ne pas laisser le câble d'attache passer sous les bras ou entre les jambes. Ne jamais retenir, nouer ou empêcher d'une façon ou d'une autre la rétractation ou la tension de la ligne de vie, et laisser la ligne toujours tendue. Éviter de relâcher la ligne. Ne pas enrouler la ligne de vie autour d'éléments structurels de petit diamètre.

IMPORTANT : lire et respecter les instructions du fabricant concernant l'équipement associé (par exemple, le baudrier complet) utilisé avec votre système antichute personnel.

IMPORTANT : pour les versions spéciales (sur mesure) de ce produit, suivre les instructions fournies dans le présent manuel. Voir le supplément, le cas échéant, pour des instructions complémentaires concernant l'utilisation d'un produit fabriqué sur mesure.

5.0 ASSEMBLAGE ET INSTALLATION

- **SOUTIEN DU CORPS** : un baudrier complet (EN361) doit être porté lors de l'utilisation des SRL Capital Safety. Pour la prévention générale de chutes, raccorder le système à l'anneau en D dorsal entre les épaules.
 - ◇ **Opérations de récupération** : il est recommandé d'utiliser un baudrier complet pour récupérer la victime, pour autant que son état permette la récupération. Il existe des modèles avec connexions de récupération (anneau étrier d'épaules) au-dessus des épaules pour faciliter les opérations de sauvetage.

AVERTISSEMENT : dans les cas de chute libre, l'utilisation de ceintures de sécurité est interdite. Comparativement à un harnais complet, une ceinture de sécurité augmente la probabilité de se blesser lors d'un arrêt en chute libre. La durée de suspension limitée et le risque de porter la ceinture de sécurité de façon inadéquate représentent des dangers supplémentaires pour la santé de l'utilisateur. Voir aussi le manuel GIUM, section 2.0

- **CONNEXIONS** : en cas d'utilisation d'un crochet ou mousqueton pour effectuer une connexion, vérifier qu'un déroulement ne peut pas se produire. Voir section 2.0, « Compatibilité des connecteurs ». Voir figure 15. Utiliser un crochet à pression autobloquant ou un mousqueton (A) qui se ferme complètement sur l'ancrage (B) ou sur le connecteur d'ancrage (C). Il est recommandé que le modèle 340614 soit fixé à une structure en position fixe (et non pendante) au moyen de la quincaillerie fournie. La surface de montage doit être conforme

aux exigences de puissance d'ancrage décrites à la section 2.0, « Puissance d'ancrage ». Suivre les instructions du fabricant fournies avec chaque composant du système.

6.0 UTILISATION

Voir la figure 16. Connecter la SRL (A) à un ancrage satisfaisant (B). Connecter le crochet à pression autobloquant (C) à la fixation antichute ou d'escalade d'échelle (D) du baudrier complet (E). Voir la figure 17. Vérifier que les connexions sont compatibles et que le crochet est complètement fermé et bloqué. Une fois attaché, le travailleur est libre de circuler à l'intérieur de la zone de travail recommandée à une vitesse normale. La ligne de vie doit se tendre sans chocs et se rétracter sans hésitation. La ligne de vie doit rester tendue à tout moment durant l'usage normal. Si la ligne se relâche durant l'usage normal, l'ensemble doit être renvoyé à Capital Safety pour inspection. En cas de chute, la SRL se bloque et arrête la chute.

AVERTISSEMENT : lors du sauvetage, ne plus utiliser la SRL.
Sauvetage : voir GIUM section 1.2.

Inspecter l'équipement tel que décrit à la section 7.0, « Après l'arrêt de chute ». En cas d'utilisation d'une SRL, toujours permettre la rétraction de la ligne de vie dans le logement sous contrôle. Un câble stabilisateur court peut être nécessaire pour dérouler ou rétracter la ligne de vie durant la connexion et la déconnexion. Si la ligne de vie est déroulée complètement pour de longues périodes, le ressort de rétraction peut se détendre prématurément.

- **UTILISATION DU SYSTÈME DE RÉCUPÉRATION (MODÈLES 3400101, 3400102, 3400301, 3400302, 3400501, 3400502)** : la figure 17 illustre comment actionner le mode récupération. Retirer la poignée de récupération sur la face arrière de la SRL en poussant le bouton de déclenchement sur le dessus de la poignée et en tirant vers le haut. Installer la cheville dans le trou situé à l'extrémité du bras de récupération. Faire pivoter l'assemblage du bras vers le côté pour accéder au bouton de verrouillage. Soulever l'anneau (sur le bouton de verrouillage) et le tourner de 1/8 de tour dans le sens contraire aux aiguilles d'une montre, et relâcher. Faire pivoter le bras de récupération dans le sens des aiguilles d'une montre pour faciliter l'engagement. **Le bouton de verrouillage doit se déplacer vers l'intérieur et pivoter en position de blocage lorsque le bras est totalement engagé.**
 - ◇ **Pour élever** : faire pivoter le bras de récupération dans le sens contraire aux aiguilles d'une montre.
 - ◇ **Pour abaisser** : faire pivoter le bras de récupération dans le sens des aiguilles d'une montre. Maintenir continuellement la ligne de vie sous tension (34 kg minimum).

IMPORTANT : une charge minimum de 34 kg est requise pour abaisser ou laisser filer la ligne.

IMPORTANT : en cas de chute en mode antichute, et si le travailleur doit être abaissé pour être libéré, élever celui-ci légèrement pour libérer les cliquets de verrouillage et abaisser le travailleur.

IMPORTANT : ne pas continuer à faire pivoter le bras de récupération dans la direction de l'abaissement après l'extension totale du câble. Ceci pourrait endommager le ressort.

- ◇ **Pour désactiver le mode récupération :** libérer la charge de la ligne de vie. Faire pivoter le bouton de verrouillage dans le sens contraire aux aiguilles d'une montre de 1/8 de tour, tirer l'anneau vers l'extérieur, faire pivoter le bouton de verrouillage dans le sens des aiguilles d'une montre de 1/8 de tour. Relâcher l'anneau. Retirer la poignée de récupération du bras de récupération et la ranger dans le taquet de rangement. Insérer la cheville de la poignée de récupération dans la poignée et dans le taquet de rangement.
- ◇ **Système de récupération en cas de surcharge :** les SRL équipées de la fonction de récupération (tel qu'indiqué à la figure 17) disposent d'un mécanisme de débrayage en cas de surcharge qui protège les composants d'entraînement et la personne contre l'élévation suite à une force excessive. Ce système permet l'absorption des chocs pour l'utilisateur en cas de chute lorsque le mode récupération est activé. Le débrayage de surcharge est conçu pour glisser à environ 227 kg pour permettre les applications de sauvetage d'urgence lorsqu'une capacité supplémentaire d'élévation est requise.

IMPORTANT : la capacité de récupération est de 210 kg.

IMPORTANT : l'utilisation du système de récupération à des charges supérieures à la capacité indiquée réduit le facteur global de sécurité. Toute unité qui a été utilisée au-delà de la capacité indiquée doit être retirée de service et renvoyée à Capital Safety pour inspection.

- ◇ **Montage des modèles à récupération :** les SRL à récupération tel qu'indiqué aux figures 1 et 2 peuvent être utilisées avec des taquets optionnels (numéros de pièces Capital Safety 3401123 et 3401090) pour être montées sur le trépied, la potence ou le mât d'échelle Capital Safety. Suivre les étapes ci-dessous pour le montage et l'utilisation de ces taquets.

IMPORTANT : si le taquet compatible de la jambe du trépied n'est pas fixé, positionner l'assemblage du plateau à l'endroit voulu sur la jambe et serrer les boulons à 20 Nm. Ne pas serrer excessivement.

- Étape 1.** Fixer le taquet à la SRL en insérant les deux boulons fournis dans les trous du logement de la SRL. Attacher les écrous et serrer. Voir la figure 18.

Étape 2. Lorsque le taquet est fixé à la SRL, positionner l'assemblage du support de la SRL sur le taquet compatible du trépied, de la potence ou du mât d'échelle. L'encoche au bout du taquet de la SRL glisse sur la cheville qui ressort de chaque côté du taquet compatible. Repositionner le taquet de jambe du trépied tel que requis pour obtenir une hauteur de fonctionnement appropriée. Voir la figure 19.

Étape 3. En appuyant l'assemblage sur la cheville, faire pivoter le dessus de la SRL vers l'intérieur pour aligner les trous. Appuyer sur le bouton à l'extrémité de la cheville d'arrêt et glisser la cheville complètement vers l'intérieur pour fixer l'assemblage de la SRL au trépied, à la potence ou au mât d'échelle. Voir la figure 20.

Étape 4. Dérouler le câble au-dessus de la structure de soutien et des poulies. Réinstaller les chevilles d'arrêt près de la poulie pour empêcher le câble de glisser hors des poulies. Voir la figure 21. Les figures 22 et 23 montrent la fixation complète.

- **FONCTIONNEMENT DU SYSTÈME DE RÉCUPÉRATION (MODÈLES 340854 ET 340855) (EN360:2002 ET EN1496:2006 CATÉGORIES A ET B) :** la figure 4 indique les principaux composants du système de récupération. Pour activer le mode récupération, faire pivoter la vis de blocage (D) complètement vers le bas pour libérer la manivelle (E). Faire pivoter la poignée (A) hors de sa position de rangement. Pour engager le treuil, tirer et tenir le bouton de verrouillage (C) en position de déblocage. Pousser la manivelle (E) en position engagée et libérer le bouton de verrouillage (C). Si nécessaire, tourner la manivelle dans le sens des aiguilles d'une montre (pour abaisser) afin de faciliter l'engagement.
 - ◇ **Pour élever :** faire pivoter la manivelle dans le sens contraire aux aiguilles d'une montre. Le système de sauvetage par élévation ne peut être utilisé que si un processus d'élévation sans obstruction est possible et ne peut être utilisé si des obstacles présentent un risque.
 - ◇ **Pour abaisser :** tourner d'abord la manivelle dans le sens contraire aux aiguilles d'une montre pour libérer le frein antichute, puis tourner la manivelle dans le sens des aiguilles d'une montre. La fonction d'abaissement est conçue uniquement pour abaisser une personne sur une distance maximale de 2 mètres.

IMPORTANT : une charge minimum de 34 kg est requise pour abaisser ou laisser filer la ligne. La charge maximale pour cet appareil est de 141 kg. Une force sur la poignée de récupération de 13 kg maximum est requise pour actionner le treuil lorsqu'il est chargé au maximum de sa capacité. En outre, un contact visuel direct ou indirect, ou un autre moyen de communication avec la victime doit être assuré à tout moment du sauvetage.

ATTENTION : arrêter la manivelle lorsque la ligne est totalement déroulée ou totalement rétractée. Ceci évitera d'endommager les composants.

- ◇ **Pour désactiver le mode récupération** : libérer toute charge de la ligne de vie. Tirer et maintenir le bouton de verrouillage en position débloquée. Tirer la manivelle hors de la position désengagée et libérer le bouton de verrouillage. Fixer la manivelle au moyen de la vis de blocage. Tirer la poignée de récupération vers l'extérieur et faire pivoter la poignée vers sa position de rangement.
- ◇ **Système de récupération en cas de surcharge** : les treuils des modèles SRL (tel qu'indiqué à la figure 4) ne sont pas équipés d'un débrayage de surcharge pour limiter la force appliquée aux composants d'entraînement et à la personne élevée. Il faut veiller à éviter le relâchement de la ligne pendant le processus de sauvetage. En outre, l'individu doit être surveillé durant la récupération afin de vérifier qu'il n'est pas bloqué ou soumis à une force excessive à la suite de l'élévation continue.

IMPORTANT : l'utilisation du système de récupération à des charges supérieures à la capacité indiquée réduit le facteur global de sécurité. Toute unité qui a été utilisée au-delà de la capacité indiquée doit être retirée de service et renvoyée à Capital Safety pour inspection.

- ◇ **Montage des modèles à récupération** : les SRL à récupération (tel qu'indiqué aux figures 3 et 4) peuvent être utilisées avec un taquet optionnel (modèle 3401025) pour montage sur le trépied, la potence ou le mât d'échelle Capital Safety. Suivre les étapes ci-dessous pour le montage et l'utilisation de ce taquet.

IMPORTANT : si le taquet compatible de la jambe du trépied n'est pas fixé, positionner l'assemblage du plateau à l'endroit voulu sur la jambe et serrer les boulons à 20 Nm. Ne pas serrer excessivement.

- Étape 1.** Retirer les trois vis de calage bouchant les trous sur le côté du logement de la SRL. Voir la figure 24.
- Étape 2.** Fixer le taquet à la SRL en insérant les trois boulons dans les trous du logement de la SRL. Voir la figure 25.
- Étape 3.** Lorsque le taquet est fixé à la SRL, positionner l'assemblage du support de la SRL sur le taquet compatible du trépied, de la potence ou du mât d'échelle. L'encoche au bout du taquet de la SRL glisse sur la cheville qui ressort de chaque côté du taquet compatible du mât d'échelle, de la potence ou du trépied. Repositionner le taquet de jambe du trépied tel que requis pour obtenir une hauteur de fonctionnement appropriée. Voir la figure 26.
- Étape 4.** En appuyant l'assemblage sur la cheville, faire pivoter le dessus de la SRL vers l'intérieur pour aligner les trous. Appuyer sur le bouton à l'extrémité de la cheville d'arrêt et

glisser la cheville complètement vers l'intérieur pour fixer l'assemblage de la SRL au trépied, à la potence ou au mât d'échelle. Voir la figure 27.

- Étape 5.** Dérouler le câble au-dessus de la structure de soutien et des poulies. Réinstaller les chevilles d'arrêt près de la poulie pour empêcher le câble de glisser hors des poulies. Voir la figure 28.

7.0 INSPECTION

L'étiquette i-Safe™ RFID sur les SRL (A) peut être utilisée avec le dispositif de lecture portable i-Safe et le portail Internet afin de simplifier l'inspection et le contrôle d'inventaire et de conserver les données concernant votre matériel antichute. Voir la figure 29.

- **FRÉQUENCE :** avant chaque utilisation, inspecter la SRL en suivant les étapes d'inspection ci-dessous. Les SRL doivent être inspectées par une personne compétente autre que l'utilisateur, au moins une fois par an. Si vous utilisez l'équipement pour la première fois, veuillez contacter un représentant du service à la clientèle, ou si vous êtes déjà enregistré, veuillez visiter le site www.capitalsafety.com/isafe.html. Suivre les instructions fournies sur le dispositif de lecture portable i-Safe ou sur le portail Internet pour transférer les données sur le journal Web. Noter les résultats de l'inspection dans la rubrique Examen périodique et historique des réparations dans le Mode d'emploi et d'entretien général (5902392) ou utiliser le portail d'inspection en ligne i-Safe™ afin de conserver les données concernant l'inspection. Voir GIUM section 4.

Les dates des entretiens annuels sont indiquées sur les étiquettes SRL.

- ◇ **Après un arrêt de chute :** inspecter l'indicateur d'impact de charge et l'ensemble de la SRL.
- ◇ **Après utilisation du mode récupération :** après élévation ou abaissement, inspecter l'indicateur d'impact de charge et l'ensemble de la SRL. Les applications nécessitant des élévations et abaissements continus peuvent nécessiter des inspections et entretiens plus fréquents. Veuillez contacter Capital Safety si vous avez des questions concernant la fréquence des inspections.

AVERTISSEMENT : voir le manuel GIUM 1.2 si la SRL a été soumise à un arrêt de chute ou à des forces d'impact.

IMPORTANT : des conditions de travail extrêmes (environnement hostile, utilisation prolongée) peuvent nécessiter des inspections plus fréquentes.

• ÉTAPES GÉNÉRALES D'INSPECTION :

- Étape 1.** Inspecter la SRL pour détecter des vis et boulons desserrés, pliés ou des pièces endommagées.
- Étape 2.** Inspecter le logement du dispositif pour détecter des

déformations, des craquelures ou d'autres dommages.

Modèles UltraLok uniquement : vérifier que l'émerillon n'est ni endommagé ni déformé de quelque façon. Vérifier que l'émerillon tourne librement.

Série SB uniquement : vérifier que l'arceau bouge librement et n'est ni déformé ni craquelé, endommagé ou usé. Vérifier que l'écrou est bien serré.

Étape 3. Inspecter l'indicateur d'impact de charge. Cette inspection dépend du type de SRL utilisé. Suivre les instructions détaillées de votre type de SRL :

- ◇ **SRL à câble et corde UltraLok :** voir figure 30. Inspecter l'indicateur d'impact de charge (A). En « mode normal » (B), vous devez rechercher la bandelette de couleur (C) exposée sur le crochet. Si le crochet est en « mode indiqué » (D), un impact de charge s'est produit.
 - **Note :** ne pas tenter de réinitialiser l'indicateur d'impact. L'émerillon ne tourne pas librement en « mode indiqué ».
- ◇ **SRL SB :** voir figure 31. Vérifier que le bouton rouge d'indicateur d'impact (A) est de niveau avec le logement. Si le bouton n'est pas de niveau avec le logement, le bloc a été déployé.
- ◇ **SRL UltraLok à sangle :** voir figure 32. Ces SRL sont équipées d'un indicateur d'impact sur la sangle de vie (A). La sangle proche de l'extrémité du crochet (B) de la ligne de vie est pliée sur elle-même et cousue de fil rouge, formant une petite boucle (C). La boucle s'étire à environ 1,6 kN. Si la couture rouge est intacte, la SRL n'a pas subi d'impact. Si la couture rouge est rompue et si la boucle est déchirée (D), la SRL a subi un impact de charge.
- ◇ **SRL UltraLok Leading Edge :** voir figure 33. Les SRL Leading Edge 3504500 sont équipées d'un composant amortisseur intégral. Inspecter l'amortisseur pour déterminer s'il a été activé. Il ne doit pas y avoir d'élongation visible (B). Vérifier que le capot de l'amortisseur (A) est fixé et n'est ni tordu ni endommagé.

<p>AVERTISSEMENT : si l'inspection fait apparaître un défaut, retirer immédiatement la SRL du service et contacter un centre d'entretien agréé.</p>
--

Étape 4. La ligne de vie doit se dérouler et se rétracter entièrement sans hésitation et sans relâchement. La ligne de vie doit être tendue (sous tension). Vérifier que le dispositif se bloque lorsque la ligne de vie est secouée violemment. Le blocage doit être franc, sans aucun glissement.

Étape 5. Elles doivent être présentes et parfaitement lisibles. Voir supplément du modèle.

Étape 6. Rechercher des traces de corrosion éventuelles sur l'ensemble du dispositif.

Étape 7. Inspecter la ligne de vie.

- ◇ **Modèles à câble métallique** : voir figure 34. Vérifier que la ligne de vie est exempte de coupures, entortillements (A), câbles déchirés (B), nids de fils brisés (C), corrosion, projections de soudure (D), zones de contact chimique, ou zones fortement abrasées. Glisser le butoir du câble vers le haut et inspecter les bagues pour détecter les fissures ou dommages, et inspecter les câbles pour vérifier qu'il n'y a pas de corrosion ni de câbles déchirés.
 - **Note** : le câble métallique doit être remplacé si six fils ou plus sont cassés à divers endroits sur un commettage, ou si trois fils ou plus sont cassés sur un toron sur le même commettage. Un « commettage » de câble métallique est la longueur de câble nécessaire pour permettre à un toron (le groupe de câbles plus grand) de faire un tour le long du câble. Remplacer le câble en cas de déchirures à moins de 25 mm des bagues.
- ◇ **Modèles à sangle ou à câble synthétique** : voir figure 34. Inspecter la ligne de vie pour y détecter une concentration d'usure, des torons éraillés (E), des fils brisés, des brûlures (F), des coupures (G) et des abrasions. La ligne de vie doit être exempte de nœuds sur toute sa longueur. Détecter les saletés excessives (H), l'accumulation de peinture et la rouille. Vérifier l'absence de dommages chimiques ou thermiques indiqués par des parties brunes, décolorées ou effritées. Vérifier les dommages dus aux ultraviolets indiqués par une décoloration et la présence d'éclats et d'écaillés à la surface des sangles.
 - **REMARQUE** : tous les facteurs ci-dessus sont réputés pour réduire la résistance de la sangle. La résistance de la sangle diminue en proportion de la zone transversale de la sangle qui est endommagée. Toute sangle endommagée ou douteuse doit être remplacée.

AVERTISSEMENT : ne pas attacher ou nouer la ligne de vie. Éviter de mettre la ligne de vie en contact avec des surfaces pointues ou abrasives. Inspecter fréquemment la ligne de vie pour y détecter des coupures, effilochages, brûlures ou traces de dommage chimique. La saleté, les agents contaminants et l'eau peuvent affecter les propriétés diélectriques de la ligne de vie. Faire preuve de prudence à proximité des lignes électriques.

Étape 8. Inspecter les crochets de connexion, le cas échéant, pour y détecter des signes de dégâts, de corrosion et pour vérifier leur fonctionnement. L'émerillon doit pivoter librement.

Étape 9. Inspecter le défilement de la ligne de vie de réserve, le cas échéant, en vérifiant les indicateurs :

- ◇ **Modèles à câble métallique (à l'exclusion de la série SB)** : voir figure 35 : A-guide de câble, B-arrêt de câble, C-manche de guide de câble, D-butoir. Voir figure 36 : A-bandelette rouge ligne de vie de réserve. En cas d'arrêt de chute avec la presque totalité de la ligne déroulée, la ligne de réserve peut avoir été déployée. Pour vérifier le déploiement de la ligne de vie de réserve, tirer la ligne

de vie hors de la SRL jusqu'à son arrêt. Si l'indicateur à bandelette rouge est visible, la ligne de réserve a été déployée. Si la ligne de réserve n'a pas été déployée, cette portion est satisfaisante et l'inspection peut continuer.

- ◇ **Modèles série SB** : ces SRL ne sont pas équipées d'une ligne de vie de réserve.
- ◇ **Modèles UltraLok à sangle** : inspecter le défilement de la ligne de vie de réserve. En cas d'arrêt de chute avec la presque totalité de la ligne déroulée, la ligne de réserve peut avoir été déployée. Tirer la ligne de vie hors de la SRL jusqu'à son arrêt. Si l'étiquette de ligne de vie de réserve (F) est visible, tel qu'indiqué à la figure 7, la ligne de vie de réserve est déployée et le dispositif doit être entretenu par un centre de services agréé avant toute nouvelle utilisation. Si la ligne de réserve n'a pas été déployée, continuer l'inspection.
- ◇ **Modèles à câble synthétique** : inspecter le défilement de la ligne de vie de réserve. En cas d'arrêt de chute, il est possible que la ligne de vie de réserve ait été déployée. Pour vérifier le déploiement de la ligne de vie de réserve, tirer la ligne de vie hors de la SRL jusqu'à son arrêt. Si l'étiquette d'avertissement (A) de la ligne de vie de réserve est visible, la ligne de vie de réserve a été déployée. Voir la figure 37. Si la ligne de réserve n'a pas été déployée (si l'étiquette de ligne de vie de réserve n'est pas visible), cette portion est satisfaisante et l'inspection peut continuer.

IMPORTANT : si les indicateurs sont visibles, le dispositif doit être révisé par un centre de service agréé avant toute nouvelle utilisation.

Étape 10. Inspecter chaque composant du dispositif et chaque sous-système conformément aux instructions du fabricant.

- **ÉTAPES D'INSPECTION POUR LES COMPOSANTS DE RÉCUPÉRATION** : (MODÈLES 3400101, 3400102, 3400301, 3400302, 3400501, 3400502) voir figure 2

Étape 11. Inspecter le bras de récupération (A) pour y détecter toute déformation ou autre dommage. La poignée de récupération (B) doit s'engager facilement dans le bras de récupération et le bouton-poussoir doit fonctionner librement.

Étape 12. Le bouton de verrouillage (F) doit pivoter librement lorsqu'il est engagé ou désengagé. L'anneau de traction (D) sur le bouton de verrouillage doit revenir en position lorsqu'il est relâché.

Étape 13. Inspecter le mode récupération pour vérifier son fonctionnement. Pour le tester, élever et abaisser un poids test (sac de sable) de 34 à 141 kg. L'opération de récupération doit être régulière et sans heurts. Lorsque la poignée de récupération (B) est libérée, le poids ne doit pas bouger et la poignée de récupération doit rester en position (aucun mouvement). On doit entendre un « clic »

distinct lorsqu'on élève la charge.

Étape 14. Le capot du cliquet (H) (voir figure 3) doit être fixé et sans déformation. Le taquet de montage optionnel doit être solidement fixé à la SRL et ne présenter aucun défaut. La cheville d'arrêt doit fonctionner librement.

• **ÉTAPES D'INSPECTION POUR LES COMPOSANTS DE RÉCUPÉRATION :** (Modèles 340854 et 340855) voir figure 4

Étape 11. Inspecter le bras de récupération (E) pour y détecter toute déformation ou autre dommage. Vérifier que la poignée de récupération (A) peut pivoter vers l'extérieur et fixée en position de rotation.

Étape 12. Vérifier que la vis de blocage (D) peut être serrée complètement.

Étape 13. Vérifier que le bouton de verrouillage (C) peut être tiré en position de déblocage puis relâché, bloquant la manivelle (E) en positions engagée et désengagée.

Étape 14. Tester le mode récupération pour vérifier son bon fonctionnement en élevant et en abaissant un poids de test de 34 à 141 kg (sac de sable). L'opération de récupération doit être régulière et sans heurts. Lorsque la poignée de récupération (A) est libérée, le poids ne doit pas bouger et la poignée doit rester en position (aucun mouvement). On doit entendre un « clic » distinct lorsqu'on élève la charge.

• **PROCÉDURE EN CAS D'ÉTAT DÉFECTUEUX :** voir GIUM, section 1.2.

IMPORTANT : seules Capital Safety ou les parties ayant été autorisées par écrit sont habilitées à effectuer des réparations sur ce matériel.

8.0 DURÉE DE VIE DU PRODUIT

La SRL peut continuer à être utilisée tant que les résultats du contrôle effectué par une personne¹ compétente sont satisfaisants. Voir GIUM 4.2 et la section 1.16 pour des informations concernant la garantie.

9.0 ENTRETIEN, RANGEMENT, TRANSPORT (voir GIUM section 3)

• **ENTRETIEN**

◇ Positionner l'appareil de façon à ce que l'eau puisse s'écouler.

◇ Nettoyer les étiquettes si nécessaire.

◇ Suivre les instructions indiquées au manuel GIUM, sections 3.1 et 3.2. Une accumulation excessive de saletés, de peinture, etc. peut empêcher la ligne de vie de se rétracter complètement dans le logement et entraîner un risque de chute libre. Remplacer la ligne de vie

¹ *Personne compétente : toute personne capable de suivre les recommandations, instructions d'un fabricant, qui connaît les pièces et qui est capable d'identifier et d'anticiper les éventuels risques quant au choix, à l'utilisation et à l'entretien du matériel de protection antichute.*

en cas d'accumulation excessive.

◇ Ne pas lubrifier les pièces.

AVERTISSEMENT : en cas de contact de la ligne de vie avec des acides, ne plus utiliser le dispositif et le laver à l'eau et au savon doux. Inspecter la ligne de vie avant de la remettre en service.

- **RANGEMENT** : voir GIUM section 3.3. Inspecter soigneusement la SRL après toute période de rangement prolongée.
- **TRANSPORT** : voir GIUM section 3.4

10.0 SERVICE

Le remplacement des lignes de vie, ainsi que toute procédure d'entretien ou de service doivent être effectués par un centre de services agréé. Une autorisation et un numéro d'identification de retour doivent être délivrés par Capital Safety. Ne pas démonter la SRL. Voir la section 7.0 pour la fréquence des inspections.

11.0 CARACTÉRISTIQUES ET ÉTIQUETTES (VOIR LE SUPPLÉMENT DU MODÈLE)

12.0 TERMINOLOGIE

SAUVETEUR : personne ou groupe de personnes autres que la personne secourue chargées d'effectuer un sauvetage assisté par l'intermédiaire d'un système de sauvetage.

PERSONNE COMPÉTENTE : voir GIUM section 16.

Sie haben gerade eine persönliche Schutzausrüstung der Marke Capital Safety zur Fallsicherung für Personen, die in großer Höhe arbeiten, erworben. Wir danken Ihnen für Ihr Vertrauen in unsere Ausrüstung. Damit Sie die von Ihnen erwartete Sicherheit und den Komfort genießen können, müssen Sie sich an alle Anweisungen halten und sie befolgen. Alle Benutzer und Rettungskräfte (siehe Abschnitt 12: Terminologie) müssen vor der Anwendung dieses Handbuch lesen.

Siehe „Glossar“ in der „Allgemeinen Anleitung zur Anwendung und Wartung“ (Anleitung), um die nummerierten Teile in der weißen Schachtel zu identifizieren.

1.0 ZWECK/BESCHREIBUNG

Sicherungsseile mit automatischem Rückzug (SRL) von Capital Safety sind Komponenten von persönlichen Fallsicherungssystemen. Zu diesen Systemen gehören typischerweise ein Komplettgurt, ein Verankerungsanschluss (d.h. ein Karabiner) und das SRL. Wenden Sie es in Situationen an, in denen Mobilität für den Arbeiter und eine Fallsicherung notwendig sind (Inspektionsarbeiten, Bau, Wartungsarbeiten, Ölproduktion, Arbeiten in geschlossenen Räumen usw.).

Einige Modelle beinhalten eine Bergungsmöglichkeit*. Diese Modelle besitzen beim Gebrauch im Nicht-Bergungsmodus Standard-Fallsicherungsfunktionen. Im Bergungsmodus können diese Modelle zur Notrettung (Hebung oder Senkung) von Personen im nachfolgend angegebenen Kapazitätsbereich eingesetzt werden. Bergungsmodelle können auch zur Hebung und Senkung von Materialien innerhalb des angegebenen Kapazitätsbereichs eingesetzt werden.

- **VERSIEGELTE SRL:** Versiegelte SRL von Capital Safety beinhalten eine patentierte Versiegelungstechnologie, die für die sichere Bedienung unter allen Arbeitsbedingungen alle dynamischen Komponenten von äußeren Elementen wie Fett, Feuchtigkeit und Schmutz trennt. Siehe Abbildung 1: A-Verankerungsgriff, B-Etikett mit Anweisungen, C-Gehäuse, D-Etikett mit Beanspruchungsanzeige, E-ID-Etikett, F-Kabelführung, G-Sicherungsseil, H-Abweiser, I-Endhülse, J-selbstschließender Karabinerhaken.
- ♦ **Versiegelte SRL mit Bergungsfunktion:** Siehe Abbildung 2: A-Bergungsarm, B-Bergungsgriff, C-Staugriff-Halterung, D-Zugring, E-Betriebsetikett, F-Schiebeknopf, G-Bergungsetikett, H-Klinkenabdeckung, I-Etikett mit Drehmomentbegrenzung.
- **SEALED-BLOK™-SRL:** Besteht aus einem gegossenen Aluminiumgehäuse, Endplatten aus stark bemessenem rostfreiem Stahl oder Aluminium, Anti-Ratsch-Bremse, eingebautem Tragegriff (der den Transport erleichtert und einen zweiten Befestigungspunkt für den „Schutz gegen herunterfallende Objekte“ bietet), einem großen schwenkbaren Verankerungsgriff und einem selbst schließenden Drehhaken mit Beanspruchungsanzeige. Siehe Abbildung 3:

A-Verankerungsgriff, B-Gehäuse, C-Etikett mit Anweisungen, D-Kabelführung, E-ID-Etikett, F-Sicherungsseil, G-Abweiser, H-RFID-Tag; I-selbstschließender Karabinerhaken.

- ◇ **Sealed-Blok™-SRL mit bergung:** Siehe Abbildung 4:
A-Bergungsgriff, B-Bergungsetikett, C-Schiebeknopf,
D-Verschlusschraube, E-Bergungsarm (Kurbel), F-Winden-
Betriebsetikett, G-RFID-Etikett.

WICHTIG: Die Bergungsausrüstung kann für Anwendungsgebiete mit häufigem oder stetem Einsatz als Materialhubgerät ungeeignet sein. Setzen Sie sich vor dem Einsatz in solchen Anwendungsgebieten mit Capital Safety in Verbindung. Die Bergungsmodelle wurden nicht für den Einsatz als allgemeines Positionierungssystem oder die Anwendung als Personenseiltransport entwickelt.

- **ULTRA-LOK®-SRL:** Ultra-Lok®-SRL von Capital Safety werden mit einem haltbaren glasgefüllten Polyurethanegehäuse, einem Stahlseil oder einem gewebten Sicherheitsseil und Seitenplatten aus Aluminium geliefert, um maximale Haltbarkeit und minimales Gewicht zu bieten. Die Systeme besitzen ein Anti-Ratsch-Zwillings-scheiben-Bremssystem mit Audioindikator zur Anzeige der korrekten Funktion.
 - ◇ **Ultra-Lok®-SRL mit Stahl- und synthetischem Seil:** Besteht aus einem Verankerungsbefestigungspunkt mit schwenkbarer Öse, selbstschließendem schwenkbarem Karabinerhaken mit Beanspruchungsanzeige und den ausgewählten Sicherheitsseilen in verzinktem oder rostfreiem Stahlseil oder synthetischem Seil. Stahlseil-Sicherungsseile sind in Längen von 6,1, 9,1, 15,2 und 25,9 m verfügbar. Synthetische Sicherheitsseile sind in Längen von 6,1, 10,7 und 16,8 m verfügbar. Siehe Abbildung 5: A-schwenkbare Öse; B-Etikett mit Inspektionshinweis, C-Warnetikett, D-Ultra-Lok-Etikett, E-ID-Etikett, F-Anschlussetikett; G-Stahlseil oder synthetisches Seil; H-Abweiser; I-RFID-Tag; J-RFID-Tag; K-selbstschließender Haken.
 - ◇ **Vorderkante-SRL:** Beinhaltet Verankerungs-Befestigungspunkt mit schwenkbarer Öse, selbstschließenden schwenkbaren Karabinerhaken mit Beanspruchungsanzeige, integriertes Shock-Pack und 9,1 m langes verzinktes Stahlsicherungsseil. Siehe Abbildung 6: A-schwenkbare Öse; B-Etikett mit Inspektionshinweis, C-Warnetikett, D-Ultra-Lok-Etikett, E-Anschlussetikett; F-Stahlseil; GRFID-Tag; H-Stoßdämpfer; I-selbstschließender Karabinerhaken.
- **Hinweis:** Das SRL-Modell 3504500 von Capital Safety wurde für den Einsatz in Anwendungsgebieten entwickelt, bei denen Stürze über eine Kante wie beim Dachdecken, Bau von Vorderkanten usw. vorkommen können. Dieses Modell ist besonders geeignet für den Einsatz mit einem Absturzsicherungssystem mittels Capital-Safety-

Verankerungsanschlüssen, die für die Arbeit an Vorderkanten vorgesehen sind. Wir empfehlen den ausschwenkbaren Betonanker 2105503 für den Einsatz auf Dächern.

- ◇ **Web-Style-Ultra-Lok®-SRL:** Beinhaltet Verankerungs-Befestigungspunkt mit schwenkbarer Öse, einen selbstschließenden Karabinerhaken und 2,54 cm breite Nylon-gewebte Sicherungsseile mit einer Länge von 3,4 m und 6,1 m. Siehe Abbildung 7: A-schwenkbare Öse; Etiketten: B-Warnung, C-ID, D-Beanspruchungsanzeige, E-Verbindungen, F-gegenläufiges Sicherungsseil; G-RFID-Tag; H-gewebtes Sicherungsseil; I-Indikatorfalte; I-Verbindungshaken.
- **SRL DER SB-SERIE:** Beinhaltet ein strapazierfähiges Aluminiumgehäuse, ein Anti-Ratsch-Scheibenbremsensystem, einen hoch belastbaren drehbaren Stahlverankerungsschäkel, eine Sicherungsseilreserve und einen selbstschließenden schwenkbaren Karabinerhaken mit Beanspruchungsanzeige. Siehe Abbildung 8: A-Schäkel; B-Beanspruchungsanzeige, C-SALA-Etikett, D-Etikett mit Beanspruchungsanzeige, E-Warnetikett, F-Spezifikationsetikett, G-Etikett mit Anweisungen (linke Seite), H-ID-Etikett, I-Etikett mit Anweisungen (rechte Seite); J-Stahlseil; K-RFID-Tag; L-Tränenkautschuk; M-selbstschließender schwenkbarer Karabinerhaken; N-Hakenoptionen.

WICHTIG: Siehe Anleitung, Abschnitt 1.1 und 1.3 vor dem Gebrauch dieser Ausrüstung.

WICHTIG: Vor der Anwendung dieser Ausrüstung die Informationen zur Produktidentifikation vom ID-Etikett (1) in das Blatt zur Identifikation der Ausrüstung am Ende der Anleitung eintragen.

- **2.0 ANFORDERUNGEN:** Für Installation und Anwendung dieser Ausrüstung gelten die folgenden Beschränkungen:
- **KAPAZITÄT:** Eine Person. Zu keinem Zeitpunkt darf mehr als eine Person an ein einzelnes SRL zur Absturzsicherung angebunden sein. Bergungsanwendungen können je nach Modell variieren. Mehr Informationen finden Sie in der Modellergänzung.
- **ARRETIERUNGSGESCHWINDIGKEIT:** Situationen, in denen keine ungehinderte Fallstrecke gewährleistet werden kann, müssen vermieden werden. Beispiele: Arbeiten auf sehr beschränktem oder beengtem Raum, auf sich langsam bewegendem Untergrund (z.B. Sand oder Kiesel) oder einem Dach mit geringem Neigungswinkel, wo ein Arbeiter eher abrutschen als fallen kann. In diesen Situationen könnte der Körper eventuell keine ausreichende Geschwindigkeit erreichen, um im Falle eines Absturzes eine Sperrung des SRL auszulösen. Eine freie Fallstrecke ist erforderlich, damit ein definitives Arretieren des SRL gewährleistet ist.

- **UMGEBUNGSBEDINGTE UND PHYSIKALISCHE GEFAHREN:**

Die Verwendung dieser Ausrüstung in gefährlichen Umgebungen kann zusätzliche Vorsichtsmaßnahmen erforderlich machen, um die Gefahr der Verletzung des Benutzers oder der Beschädigung der Ausrüstung zu reduzieren. Zu diesen Gefahren zählen u. a.:

- ◇ **Korrosion:** Setzen Sie diese Ausrüstung nicht über einen längeren Zeitraum hinweg einer Umgebung aus, in der infolge von Dämpfen organischer Materialien eine Korrosion der Metallteile stattfinden könnte. Vorsicht ist in der Nähe von Abwässern oder Düngemitteln geboten, da diese eine hohe Konzentration an Ammoniak mit sehr stark korrodierender Wirkung aufweisen. Die Verwendung in der Nähe von Meerwasser oder anderen korrodierenden Umgebungen kann eventuell häufigere Überprüfungen oder Wartung erforderlich machen, um sicherzustellen, dass die Leistung des Produkts nicht durch Korrosionsschäden beeinträchtigt wird.
- ◇ **Chemisch:** Lösungen, die Säuren, Alkali oder andere ätzende Chemikalien enthalten, können besonders bei erhöhten Temperaturen Schäden an den DBI-SALA-SRL verursachen. Wenn mit derartigen Chemikalien gearbeitet wird, müssen häufige Überprüfungen des gesamten SRL ausgeführt werden. Chemische Beschädigungen des Sicherungsseils sind schwer zu entdecken, und es wird empfohlen, das Sicherungsseil regelmäßig auszutauschen, um die Sicherheit zu gewährleisten. Das Sicherungsseil sollte nur durch einen autorisierten Kundendienst ausgetauscht werden.
- ◇ **Hitze:** Diese Ausrüstung ist nicht für den Einsatz in hohen Umgebungstemperaturen bestimmt. Diese Ausrüstung muss geschützt werden, wenn sie in der Nähe von Schweißarbeiten, Metallschneidarbeiten oder ähnlichen Arbeiten benutzt wird. Heiße Funken könnten diese Ausrüstung verbrennen oder beschädigen.
 - **Hinweis:** Synthetische Sicherungsseile sind nicht flammbeständig und dürfen keiner extremen Hitze ausgesetzt werden. Folgende Seile dürfen nicht in Umgebungen oder auf Kontaktflächen über den angegebenen spezifischen Temperaturen eingesetzt werden:
 - *Spektral-Seil bis 60° C*
 - *Vektran-Seil bis 120° C*
- ◇ **Elektronisch:** Weil durch das Stahlsicherungsseil elektrische Ladungen fließen können, muss in der Nähe von Hochspannungsleitungen mit extremer Vorsicht gearbeitet werden.

Kontaktieren Sie Capital Safety, wenn Sie Fragen zur Verwendung dieser Ausrüstung in Bereichen haben, in denen umgebungsbedingte Gefahren bestehen.

WICHTIG: Für weitere Informationen zu persönlichen Fallsicherungs- oder Haltesystemen und damit in Verbindung stehenden Systemkomponenten konsultieren Sie bitte anwendbare Normen, die diese Ausrüstungsgegenstände regulieren.

- **KOMPATIBILITÄT DER KOMPONENTEN:** Diese Ausrüstung ist für den ausschließlichen Gebrauch mit Komponenten und Untersystemen vorgesehen, die von Capital Safety zugelassen sind. Siehe auch Anleitung, Abschnitt 1.12.
- **KOMPATIBILITÄT DER ANSCHLÜSSE UND HERSTELLEN DER ANSCHLÜSSE:** Anschlüsse (Haken, Karabiner, D-Ringe) müssen mit mindestens 22 kN belastet werden können. Die Anschlüsse müssen mit der Verankerung und anderen Systemkomponenten kompatibel sein und die Norm EN 362 erfüllen. Siehe Abbildung 9: A-Verankerung; B-Anschluss; C-Verankerungsanschluss, D-Befestigungshalterung; E-Stativbein. Siehe auch Anleitung, Abschnitt 5 und Abbildungen zu EN362.
- **VERANKERUNGSSTÄRKE:** Die erforderliche Stärke der Verankerung hängt von der Art der Anwendung ab. Die Verankerungen müssen die Anforderungen von EN795 erfüllen. Siehe auch Anleitung, Abschnitt 12.
- **HORIZONTALES SYSTEM:** Bei Anwendungen, in denen ein SRL zusammen mit einem horizontalen System (d.h. horizontalem I-Träger und Aufhängungen) eingesetzt wird, müssen das SRL und die horizontalen Systemkomponenten kompatibel sein. Horizontale Systeme müssen unter der Supervision eines qualifizierten Sachverständigen entwickelt und installiert werden.
- **OPTIONALES BERGUNGSSYSTEM:** Wenn ein SRL mit einem optionalen Bergungssystem eingesetzt wird, muss sichergestellt werden, dass das Auflager (d.h. Stativ, Auslegerarm) mit dem Anschluss, dem Betrieb, der Stabilität und Stärke des SRL kompatibel ist. Siehe Abbildung 10-Optionale Montage von Modell 3400614: A-Hex-Sperren-Mutter, M12 x 1,75, verzinkt; B-Hex-Kopf-Bolzen, M12 x 1,75 x 25 cm, metrische Mutter, Klasse 8,8, verzinkt; C-Montagefläche; D-Scheiben nach Bedarf einsetzen; E-Scheibe, 12 mm, verzinkt, 5 typisch; F-Hex-Kopf-Bolzen, M12 x 1,75 x 8 cm, metrische Mutter, Klasse 8,8, verzinkt.

3.0 SCHULUNG

Es liegt in der Verantwortung des Anwenders dieser Ausrüstung, diese Anweisungen zu verstehen und Schulung für die korrekte Installation, Verwendung und Wartung dieser Ausrüstung zu erhalten. Dieses Benutzerhandbuch ist kein Ersatz für ein Schulungsprogramm.

WICHTIG: Lesen Sie Anleitung, Abschnitt 1.1 über Schulungen.

4.0 PLANUNG

- **VOR JEDER VERWENDUNG:** Lesen Sie Anleitung, Abschnitt 1.1 „Vor jeder Verwendung“ und überprüfen Sie das SRL genau, indem Sie die Schritte in Abschnitt 7.0 befolgen, um sicherzustellen, dass es in gutem Zustand ist. Machen Sie außerdem folgendes:
 - Sicherstellen, dass alle Bolzen vorhanden und gesichert sind.
 - Das Seil vollständig herausziehen und es langsam zurücklaufen lassen. Falls sich der Rückzug verzögert, sollte die Einheit zur Wartung an Capital Safety gesendet werden.
 - Die Arretierfunktion durch festes Ziehen am Seil prüfen.
 - Verwenden Sie die Ausrüstung nicht, wenn bei der Kontrolle ein unsicherer Zustand festgestellt wurde.

WICHTIG: Lesen Sie die *Anleitungsabschnitte 1.3, 1.4 und 1.12*, wenn Sie Ihr System planen.

PLANUNG: Planen Sie Ihr Fallschutzsystem, bevor Sie mit Ihrer Arbeit beginnen. Berücksichtigen Sie die Faktoren, die Ihre Sicherheit vor, während und nach einem Absturz beeinträchtigen könnten. Die folgende Liste enthält einige wichtige Punkte:

- **VERANKERUNG:** Wählen Sie einen starren Verankerungspunkt (siehe Abbildung 9). Mehr zur Verankerungsstärke finden Sie in Abschnitt 2.0. Die Verankerungsstelle muss sorgfältig ausgewählt werden, um den freien Fall und die Pendelgefahr beim Sturz zu reduzieren. Die optionale Montage von Bergungssystemen wird in Abschnitt 2.0 behandelt.

WICHTIG: *Ausschließlich SRL, die horizontal eingesetzt werden können (im Etikett angegeben), z.B. das Vorderkanten-SRL, können auf Fußhöhe oder darüber verankert werden. Siehe Abbildung 12. Alle anderen SRL müssen über der Befestigung des Kompletgurts verankert werden (im Etikett angegeben). Siehe Abbildung 11*

- **PENDELFALL:** Zu einem Schwingen beim Absturz kommt es, wenn der Verankerungspunkt sich nicht direkt über dem Punkt befindet, an dem es zum Absturz kam. Siehe Abbildung 13. Beim Aufprall auf ein Objekt durch das Schwingen kann es zu schweren Verletzungen kommen. Bei einem Pendelfall ist die gesamte vertikale Fallstrecke größer, als wenn der Gestürzte direkt unterhalb des Verankerungspunkts vertikal abgestürzt wäre, wodurch die Gesamtstrecke des freien Falls und die zum sicheren Abfangen des Sturzes erforderliche Distanz vergrößert wird. Das SRL aktiviert sich unabhängig von der Ausrichtung zum Benutzer. Überprüfen Sie Ihre spezifische Anwendung, um festzulegen, was die geeignete Arbeitszone sein sollte. Minimieren Sie Pendelfälle, indem Sie so nahe wie möglich am Verankerungspunkt arbeiten. Lassen Sie niemals einen Pendelfall zu, wenn es zu einer Verletzung kommen

kann. Sollte es in Ihrer Anwendung eine Situation für einen Pendelfall geben, setzen Sie sich bitte mit Capital Safety in Verbindung, bevor Sie fortfahren.

- **FALLHÖHE:** Stellen Sie sicher, dass in Ihrer Fallstrecke eine ausreichende Höhe vorhanden ist, um dem Auftreffen auf ein Objekt vorzubeugen. Die minimale Höhe beträgt 4,5 m von der Höhe des D-Rings am Rücken bis zur Höhe des nächsten Hindernisses oder Objekts. Siehe Abbildung 14. Falls ein Pendelfall auftreten kann, ist eine zusätzliche Höhe erforderlich.
- **SCHARFE KANTEN:** Vermeiden sie das Arbeiten an Orten, an denen das Sicherungsseil mit ungeschützten scharfen Kanten in Berührung kommen oder sich an solchen abreiben könnte. Schützen sie, wenn möglich, das Sicherungsseil. Manchmal kann eine energieabsorbierende Komponente, die abgestimmt ausgerichtet ist, hinzugefügt werden, um den Arbeiter besser zu schützen. In dem Fall muss die Kompatibilität und Gesamtstrecke des Falls bedacht werden. Setzen Sie sich mit Capital Safety in Verbindung, bevor Sie ausgerichtete falldämpfende Komponenten oder Verbindungsmittel mit einem SRL verwenden.

WICHTIG: Auch wenn das Vorderkanten-SRL (Modell 3504500) einen zusätzlichen Schutz bei Stürzen über Kanten bietet, muss ein Schutz gegen evt. Durchschneiden vorhanden sein, wenn in der Nähe von scharfen Kanten wie abgerissenem, kalt gewalztem oder flammgeschnittenem Stahl gearbeitet wird. Schutz vor Kanten ist bei Kanten wie heiß gewalztem Stahl, Stahlböden, Beton oder Holz nicht erforderlich.

- **RETTUNG:** Bei einem Absturz muss der Arbeitgeber über einen Rettungsplan und Möglichkeiten verfügen, diesen auszuführen.
- **NACH EINEM ABSTURZ:** Ausrüstung, die Absturzsicherungskräften ausgesetzt war, muss zur Kontrolle aus dem Betrieb genommen werden. Siehe Abschnitt 7.
- **AUSSERDEM ZU BERÜCKSICHTIGEN:** Das Arbeiten in Bereichen, in denen Ihr Sicherungsseil mit dem eines anderen Arbeiters sich kreuzen oder verheddern könnte, muss vermieden werden. Das Sicherungsseil darf nicht unter die Arme oder zwischen die Beine rutschen. Das Sicherungsseil darf niemals geklemmt oder verknottet werden oder auf eine andere Weise am Wiedereinziehen oder am Spannen gehindert werden. Schlappseil muss vermieden werden. Schlingen Sie das Sicherungsseil um keine kleinen Bauteile.

WICHTIG: Lesen und befolgen Sie die Herstelleranweisungen für die damit verbundene Ausrüstung (d.h. Komplettgurt), die in Ihrem persönlichen Fallsicherungssystem zum Einsatz kommt.

WICHTIG: Folgen Sie den Anweisungen in diesem Handbuch für spezielle (individuelle) Versionen dieses Produkts. In der Ergänzung (wenn enthalten) finden Sie weitere Anweisungen zum Gebrauch eines individuellen Produkts.

5.0 ZUSAMMENBAU UND INSTALLATION

- **KÖRPERSTÜTZE:** Bei der Anwendung von Capital Safety-SRL muss ein Komplettgurt (EN361) getragen werden. Zum Zweck der allgemeinen Absturzsicherung ist ein Anschließen an den dorsalen D-Ring (am Rücken) zwischen den Schultern erforderlich.
 - ◇ **Bergungen:** Es wird empfohlen, bei der Bergung des Opfers einen Komplettgurt zu tragen, wenn der medizinische Zustand eine solche Bergung zulässt. Es stehen Modelle mit Anschlüssen zur Bergung (Schulter-D-Ringe) oben an den Schultern zur Verfügung, die Rettungen unterstützen.

WARNUNG: Körpergürtel sind für Situationen, in denen sich ein freier Fall ereignen könnte, nicht zugelassen. Sie erhöhen im Vergleich zur Verwendung von Komplettgurten das Verletzungsrisiko bei der Fallsicherung. Begrenzte Aufhängungszeit und das Potenzial, einen Körpergürtel falsch zu tragen, können zu zusätzlichen Gefahren für die Gesundheit des Benutzers führen. Siehe auch Anleitung, Abschnitt 2.0

- **VERBINDUNGEN HERSTELLEN:** Wenn Sie für die Verbindung einen Haken oder Karabiner verwenden, stellen Sie sicher, dass es zu keinem Herausrutschen kommt. Siehe Abschnitt 2.0, „Kompatibilität der Verbindungen“. Siehe Abbildung 15. Verwenden Sie einen arretierenden Karabinerhaken oder Karabiner (a), der sich über der Verankerung (b) oder dem Verankerungsanschluss (c) vollständig schließt. Es wird empfohlen, dass das Modell 340614 mit der mitgelieferten Hardware fixiert an eine Struktur befestigt wird (im Ggs. zu hängend). Die Montagefläche sollte die Stärkeanforderungen erfüllen, die in Abschnitt 2.0 „Verankerungsstärke“ angegeben sind. Befolgen Sie die Herstelleranweisungen, die den einzelnen Systemkomponenten beiliegen.

6.0 VERWENDUNG

Siehe Abbildung 16. Das SRL (A) an eine passende Verankerung (B) anbinden. Den selbstschließenden Karabinerhaken (C) an die Fallsicherung oder die Halterung für den Leiteraufstieg (D) an den Komplettgurt (E) anschließen. Siehe Abbildung 17. Stellen Sie sicher, dass die Verbindungen kompatibel sind und der Haken ganz geschlossen und arretiert ist. Sobald der Arbeiter eingeseilt ist, kann er sich innerhalb des empfohlenen Arbeitsbereichs mit der normalen Geschwindigkeit bewegen. Das Sicherungsseil sollte sich reibungslos aus- und ohne Verzögerung einziehen. Das Sicherungsseil muss zu

jedem Zeitpunkt während des normalen Gebrauchs straff sein. Wenn es während des normalen Gebrauchs zu einem Durchhängen des Seils kommt, sollte die Einheit zur Wartung an Capital Safety geschickt werden. Bei einem Absturz arretiert das SRL und fängt den Sturz auf.

WARNUNG: Setzen Sie das SRL nach einer Rettung nicht mehr ein. Siehe Anleitung, Abschnitt 1.2.

Führen Sie eine Überprüfung wie in Abschnitt 7.0 „Nach der Fallsicherung“ durch. Wenn Sie mit einem SRL arbeiten, lassen Sie das Sicherungsseil stets kontrolliert in das Gerät zurücklaufen. Es kann ein kurzes Tag-Seil erforderlich sein, um das Sicherungsseil während Anschluss und Entfernung aus- und einzuziehen. Wenn das Sicherungsseil über lange Zeiträume ausgezogen bleibt, kann es zur vorzeitigen Schwächung der Rückzugsfeder kommen.

- **EINSATZ VON BERGUNGSSYSTEMEN (MODELLE 3400101, 3400102, 3400301, 3400302, 3400501 UND 3400502):** Abbildung 17 zeigt, wie der Bergungsmodus aktiviert wird. Entfernen Sie den Bergungsgriff auf der Rückseite des SRL durch Drücken des Knopfes auf dem Griff und Hochziehen. Bringen Sie den Stift in das Loch am Ende des Bergungsarm ein. Drehen Sie den Ankerpfosten zur Seite, um an den Schiebeknopf zu gelangen. Den Zugring (auf dem Schiebeknopf) anheben und um 1/8 gegen den Uhrzeigersinn drehen, dann loslassen. Den Ankerpfosten im Uhrzeigersinn drehen, um den Haken zu unterstützen. **Der Schiebeknopf sollte sich nach innen bewegen und sich nach dem vollständigen Einrasten in eine verriegelte Position drehen.**

- ◇ **Zum Anheben:** Ankerpfosten gegen den Uhrzeigersinn drehen.
- ◇ **Zum Absenken:** Ankerpfosten im Uhrzeigersinn drehen. Zu jeder Zeit Spannung am Sicherungsseil halten (34 kg mindestens).

WICHTIG: Es ist ein Minimalgewicht von 34 kg erforderlich, um das Seil abzusenken oder abzulassen.

WICHTIG: Falls es zu einem Absturz im Fallsicherungsmodus kommt und der Arbeiter zur Sicherheit heruntergelassen werden muss, muss der Arbeiter leicht angehoben werden, damit die Arretierklinken gelöst werden und der Arbeiter abgelassen werden kann.

WICHTIG: Wenn das Kabel vollständig ausgerollt ist, darf der Bergungsarm nicht weiter in die absenkende Richtung rotiert werden. Die Feder kann beschädigt werden.

- ◇ **Lösen des Bergungsmodus:** Die Last wird vom Sicherungsseil entfernt. Der Schiebeknopf wird um 1/8 gegen den Uhrzeigersinn gedreht, der Ring herausgezogen, der Schiebeknopf um 1/8

im Uhrzeigersinn gedreht. Den Zugang loslassen. Den Bergungsgriff vom Bergungsarm entfernen und in der Stauhalterung ablegen. Den Stift des Bergungsgriffs durch den Griff und in die Stauhalterung einbringen.

- ◇ **Funktion bei Überlastung während der Bergung:** SRL mit Bergungsfunktion (Abbildung 17) besitzen eine Überlastungskupplung, die die Antriebskomponenten und die angehobene Person vor extremen Kräften schützen. Dieselbe Funktion bietet Stoßdämpfung für den Benutzer im Falle eines Absturzes, wenn der Bergungsmodus aktiviert ist. Die Überlastungskupplung greift bei ca. 227 kg für Anwendungen bei Notrettungen, wenn eine zusätzliche Hubkapazität notwendig ist.

WICHTIG: Die Kapazität bei Bergungsbetrieb liegt bei 210 kg.

WICHTIG: Der Betrieb des Bergungssystems mit Lasten über der Nennkapazität vermindert den gesamten Sicherheitsfaktor. Eine Einheit, die über der Nennkapazität eingesetzt wurde, muss aus dem Betrieb genommen und zur Kontrolle an Capital Safety geschickt werden.

- ◇ **Montage von Bergungsmodellen:** Die SRL-Bergungsmodelle wie in Abbildung 1 und 2 können mit optionalen Halterungen (Capital-Safety-Teile Nummer 3401123 und 3401090) zur Montage am Capital-Safety-Stativ, Auslegerarm oder Leitermast benutzt werden. Folgen Sie den folgenden Schritten für Montage und Gebrauch dieser Halterungen.

WICHTIG: Wenn die passende Halterung für das Stativbein nicht befestigt ist, muss der Aufbau der Klemmplatte an der gewünschten Stelle des Beins erfolgen und die Schrauben müssen mit 20 Nm angezogen werden. Nicht zu fest anziehen.

Schritt 1. Die Halterung an das SRL anbringen, indem die beiden Bolzen durch die Löcher in das SRL-Gehäuse eingebracht werden. Muttern anbringen und sichern. Siehe Abbildung 18.

Schritt 2. Wenn die Halterung am SRL gesichert ist, wird der Aufbau der SRL-Halterung an der passenden Halterung am Stativ, Auslegerarm oder Leitermast in Position gebracht. Der Schlitz am Ende der SRL-Halterung gleitet auf den Stift, der an jeder Seite der passenden Halterung herausragt. Die Halterung am Stativbein je nach Erfordernis für die richtige Arbeitshöhe positionieren. Siehe Abbildung 19.

Schritt 3. Wenn der Aufbau auf dem Stift sitzt, wird das obere Ende des SRL einwärts gedreht, um die Löcher

auszurichten. Den Knopf am Ende des Vorsteckers drücken und den Stift vollständig hereingleiten lassen, um den SRL-Aufbau am Stativ, Auslegerarm oder Leitermast zu sichern. Siehe Abbildung 20.

Schritt 4. Das Kabel auf die Sicherungsfläche und über Umlenkrollen ausrollen. Die Vorstecker nahe an den Umlenkrollen wieder installieren, damit das Kabel nicht aus den Umlenkrollen rutscht. Siehe Abbildung 21. Abbildung 22 und 23 zeigen einen fertigen Anschluss.

- **BETRIEB DES SYSTEMS ZUR BERGUNG (MODELLE 340854 UND 340855) (EN360:2002 UND EN1496:2006 KLASSEN A UND B):** Abbildung 4 identifiziert die Schlüsselkomponenten des Bergungssystems. Um den Bergungsmodus zu aktivieren, wird die Arretierschraube (D) vollständig heruntergedreht, um die Kurbel (E) freizumachen. Den Griff (A) aus der Lagerposition drehen. Um die Winde zu aktivieren, den Schiebeknopf (C) ziehen und in der geöffneten Position halten. Die Kurbel (E) in die Einrastposition schieben und den Schiebeknopf (C) loslassen. Bei Bedarf die Kurbel im Uhrzeigersinn drehen (absenken), um das Einrasten zu unterstützen.
 - ◇ **Zum Anheben:** Die Kurbel gegen den Uhrzeigersinn drehen. Die Rettungshubhalterung darf nur benutzt werden, wenn ein ungehinderter Hubprozess möglich ist, sie darf nicht in Gegenwart von gefährlichen Hindernissen benutzt werden.
 - ◇ **Zum Absenken:** Erst die Kurbel gegen den Uhrzeigersinn drehen, um die Fallsicherungsbremse zu lösen, dann im Uhrzeigersinn drehen. Die Absenkefunktion ist nur für das Absenken einer Person um eine maximale Strecke von 2 m vorgesehen.

WICHTIG: Es ist ein Minimalgewicht von 34 kg erforderlich, um das Seil abzusenken oder abzulassen. Die Maximallast dieses Geräts beträgt 141 kg. Um die Winde bei Kapazitätslast zu betreiben, ist am Bergungsgriff eine Kraft von bis zu 13 kg erforderlich. Außerdem sollte zu jedem Zeitpunkt der Bergung ein direkter oder indirekter Blickkontakt oder eine andere Form der Kommunikation mit dem Opfer bestehen.

VORSICHT: Nicht mehr drehen, wenn das Seil vollständig ausgerollt oder eingezogen ist. Ein fortgesetztes Drehen kann die Komponenten beschädigen.

- ◇ **Lösen des Bergungsmodus:** Entfernen Sie alle Last vom Sicherheitsseil. Den Schiebeknopf ziehen und in der geöffneten Position halten. Die Kurbel aus der eingerasteten Position ziehen und den Schiebeknopf loslassen. Die Kurbel mit der Arretierschraube sichern. Den Bergungsgriff ziehen und den Griff in die Lagerposition drehen.

- ◇ **Überlastungsfunktion bei Bergung:** Die Winden der SRL-Modelle (wie in Abbildung 4 dargestellt) besitzen keine Überlastungskupplung, um die Kräfte zu limitieren, die auf die Komponenten und die angehobene Person wirken. Im Bergungsmodus muss Schlappseil vermieden werden. Außerdem muss die Person während der Bergung überwacht werden, um sicherzustellen, dass sie beim steten Anheben nicht steckenbleibt und exzessiven Kräften ausgesetzt wird.

WICHTIG: Der Betrieb des Bergungssystems mit Lasten über der Nennkapazität vermindert den gesamten Sicherheitsfaktor. Eine Einheit, die über der Nennkapazität eingesetzt wurde, muss aus dem Betrieb genommen und zur Kontrolle an Capital Safety geschickt werden.

- ◇ **Montage von Bergungsmodellen:** Die SRL-Bergungsmodelle (wie in Abbildung 3 und 4) können zur Montage an das Capital-Safety-Stativ, den Auslegerarm oder den Leitermast mit einer optionalen Halterung angewendet werden (Modell 3401025). Folgen Sie den folgenden Schritten für Montage und Gebrauch dieser Halterungen.

WICHTIG: Wenn die passende Halterung für das Stativbein nicht befestigt ist, muss der Aufbau der Klemmplatte an der gewünschten Stelle des Beins erfolgen und die Schrauben müssen mit 20 Nm angezogen werden. Nicht zu fest anziehen.

- Schritt 1.** Die drei Anschlagschrauben entfernen, die in den Löchern an der Seite des SRL-Gehäuses stecken. Siehe Abbildung 24.
- Schritt 2.** Die Halterung an das SRL anbringen, indem die beiden Bolzen durch die Löcher in das SRL-Gehäuse eingebracht werden. Siehe Abbildung 25.
- Schritt 3.** Wenn die Halterung am SRL gesichert ist, wird der Aufbau der SRL-Halterung an der passenden Halterung am Stativ, Auslegerarm oder Leitermast in Position gebracht. Der Schlitz am Ende der SRL-Halterung gleitet auf den Stift, der an jeder Seite des passenden Leitermasts, Auslegerarms oder der Stativbeinhalterung herausragt. Die Halterung am Stativbein je nach Erfordernis wieder für die richtige Arbeitshöhe positionieren. Siehe Abbildung 26.
- Schritt 4.** Wenn der Aufbau auf dem Stift sitzt, wird das obere Ende des SRL einwärts gedreht, um die Löcher auszurichten. Den Knopf am Ende des Vorsteckers drücken und den Stift vollständig hereingleiten lassen, um den SRL-Aufbau am Stativ, Auslegerarm oder Leitermast zu sichern. Siehe Abbildung 27.

- Schritt 5.** Das Kabel auf die Sicherungsfläche und über Umlenkrollen ausrollen. Die Vorstecker nahe an den Umlenkrollen wieder installieren, damit das Kabel nicht aus den Umlenkrollen rutscht. Siehe Abbildung 28.

7.0 KONTROLLE

Das i-Safe™-RFID-Etikett an den SRL (A) kann in Kombination mit dem tragbaren i-Safe-Lesegerät und dem webbasierten Portal dazu verwendet werden, die Kontrolle und Bestandskontrolle zu erleichtern und Aufzeichnungen über Ihre Absturzsicherungs-ausrüstung zu führen. Siehe Abbildung 29.

- **HÄUFIGKEIT:** Vor jeder Anwendung das SRL entsprechend den folgenden Inspektionsschritten überprüfen. Die SRL müssen mindestens jährlich von einer sachverständigen Person außer dem Anwender inspiziert werden. Vor Ihrer ersten Anwendung kontaktieren Sie einen Vertreter des Kundenservice oder, falls Sie schon registriert sind, auf die Webseite: www.capitalsafety.com/isafe.html. Befolgen Sie die mit Ihrem tragbaren i-Safe-Lesegerät gelieferten oder über das Webportal verfügbaren Anweisungen, um Ihre Daten auf Ihr Webprotokoll zu übertragen. Notieren Sie die Ergebnisse jeder formellen Kontrolle in der Periodic Examination and Repair History (Verlauf regelmäßiger Untersuchungen und Reparaturen) in der Anleitung (5902392) oder benutzen Sie das i-Safe™-Inspektions-Webportal, um Ihre Aufzeichnungen über Kontrollen zu verwalten. Siehe Anleitung, Abschnitt 4.

Auf den SRL-Etiketten befindet sich eine Aufzeichnung der jährlichen Servicedaten.

- ◇ **Nach der Belastung eines Falls:** Die Lasten-Beanspruchungsanzeige und das ganze SRL überprüfen.
- ◇ **Nach Anwendung des Bergungsmodus:** Nach dem Heben oder Senken wird die Lasten-Beanspruchungsanzeige und das ganze SRL inspiziert. Anwendungen, bei denen ein fortwährendes Anheben und Senken notwendig ist, können eine häufigere Kontrolle und Wartung erfordern. Nehmen Sie mit Capital Safety Kontakt auf, wenn Sie Fragen zur Inspektionshäufigkeit haben.

WARNUNG: Wenn das SRL einer Fallverriegelung oder Aufprallkräften unterzogen wurde, sehen Sie in der Anleitung, Abschnitt 1.2 nach.

WICHTIG: Extreme Arbeitsbedingungen (raue Umweltbedingungen, andauernde Verwendung) können eine häufigere Überprüfung erforderlich machen.

- **ALLGEMEINE INSPEKTIONSSCHRITTE:**

Schritt 1. Kontrollieren Sie auf lockere Schrauben, Bolzen und Verbiegungen oder beschädigte Teile.

Schritt 2. Prüfen Sie das Gehäuse auf Verformung, Risse oder andere Schäden.

Nur UltraLok-Modelle: Stellen Sie sicher, dass die schwenkbare Öse nicht beschädigt oder verzogen ist. Stellen Sie sicher, dass sich die schwenkbare Öse frei dreht.

Nur SB-Serie: Stellen Sie sicher, dass der Schäkel frei beweglich ist und keine Verformungen, Risse, Bruchstellen und verschlissene Teile aufweist. Stellen Sie sicher, dass die Mutter fest angezogen ist.

Schritt 3. Überprüfen Sie die Beanspruchungsanzeige. Diese Kontrolle ist abhängig vom Typ des angewendeten SRL. Befolgen Sie die detaillierten Anweisungen für Ihren SRL-Typ:

- ◇ **UltraLok-Kabel und Seil-SRL:** Siehe Abbildung 30. Überprüfen Sie die Beanspruchungsanzeige (A). Im „normalen Modus“ (B) sollten Sie nach dem exponierten Farbband (C) am Haken suchen. Wenn der Haken sich im „Anzeigemodus“ (D) befindet, ist eine starke Belastung aufgetreten.
 - **Hinweis:** Versuchen Sie nicht, die Beanspruchungsanzeige zurückzusetzen. Die Schwenkung dreht sich im „Anzeigemodus“ nicht frei.
- ◇ **SB-SRL:** Siehe Abbildung 31. Prüfen Sie den roten Knopf zur Beanspruchungsanzeige (A), um sicher zu sein, dass er mit dem Gehäuse eben ist. Wenn der Knopf nicht mit dem Gehäuse eben ist, wurde der Block eingesetzt.
- ◇ **UltraLok-Gewebe-SRL:** Siehe Abbildung 32. Diese SRL besitzen eine Beanspruchungsanzeige im gewebten Sicherungsseil (A). Das Gewebe in der Nähe des Hakenendes (B) des Sicherungsseils ist in sich selbst gefaltet und mit rotem Faden vernäht, so dass sich eine kleine Schlinge (C) bildet. Die genähte Schlinge kommt bei ca. 1,6 kN heraus. Wenn die rote Naht intakt ist, wurde das SRL keiner Belastung ausgesetzt. Wenn die rote Naht gebrochen und die Schlinge auseinandergerissen ist (D), wurde das SRL einer Belastung ausgesetzt.
- ◇ **UltraLok-Vorderkanten-SRL:** Siehe Abbildung 33. Die Vorderkanten-SRL 3504500 besitzen eine integrierte energieabsorbierende Komponente. Kontrollieren Sie den Energieabsorber, um festzustellen, ob er aktiviert wurde. Es sollte keinen Hinweis auf

Dehnung geben (B). Stellen Sie sicher, dass die Abdeckung des Energieabsorbers (A) sicher und nicht gerissen oder beschädigt ist.

WARNUNG: Sollte bei der Kontrolle ein mangelhafter Zustand festgestellt werden, nehmen Sie das SRL unverzüglich außer Betrieb und kontaktieren Sie eine autorisierte Reparaturwerkstatt.

- Schritt 4.** Das Sicherungsseil sollte ohne Verzögerung oder Schlingenbildung vollständig ausgezogen und eingezogen werden können. Das Sicherungsseil muss immer stramm (unter Spannung) sein. Stellen Sie sicher, dass das Gerät arretiert, wenn am Sicherungsseil heftig gezogen wird. Das Sperren sollte unmittelbar, ohne Rutschen, erfolgen.
- Schritt 5.** Die Etiketten müssen vorhanden und vollständig lesbar sein. Siehe Ergänzung zum Modell.
- Schritt 6.** Suchen Sie die ganze Einheit nach Korrosionszeichen ab.
- Schritt 7.** Kontrollieren Sie das Sicherungsseil.
- ◇ **Stahlseil-Modelle:** Siehe Abbildung 34. Kontrollieren Sie das Sicherungsseil auf Schnitte, Knicke (A), gebrochene Drähte (B), aufgespreizte Drähte (C), Korrosion, Schweißspritzer (D), Berührung mit Chemikalien oder schweren Abrieb. Schieben Sie den Kabelabweiser nach oben und kontrollieren Sie die Endhülsen auf Risse oder andere Beschädigungen und kontrollieren Sie das Stahlseil auf Korrosion und gebrochene Drähte.
- **Hinweis:** Ersetzen Sie die Stahlseil-Baugruppe, wenn sich sechs oder mehr zufällig verteilte gebrochene Drähte in einer Lage befinden, oder wenn sich drei oder mehr gebrochene Drähte in einem Strang in einer Lage befinden. Eine „Lage“ eines Stahlseils ist die Länge des Stahlseils, die ein Strang (die nächstgrößere Drahtgruppe) für einen Umlauf benötigt, oder um sich um das Seil zu winden. Die Stahlseil-Baugruppe ersetzen, wenn sich gebrochene Drähte innerhalb eines Abstands von 25 mm zu den Endhülsen befinden.
- ◇ **Gewebe oder synthetische Seilmodelle:** Siehe Abbildung 34. Kontrollieren Sie das Sicherungsseil auf konzentrierte Abnutzung, ausgefranzte Stränge (E), gebrochene Fäden, Verbrennungen (F), Schnitte (G) und Abrieb. Das Sicherungsseil darf auf ganzer Länge keine Knoten aufweisen. Kontrollieren Sie auf übermäßige Verschmutzung (H), Flecken und Rostflecken. Kontrollieren Sie auf Beschädigung durch Chemikalien oder Hitze, erkennbar an braunen, verfärbten oder brüchigen Stellen. Kontrollieren Sie auf Beschädigung durch UV-Strahlung, erkennbar an Verfärbung und der Präsenz von Splintern oder Spänen auf der Gewebeoberfläche.

- Hinweis: Alle der oben genannten Faktoren verringern erwiesenermaßen die Stärke des Seils. Die Seilstärke verringert sich proportional zur Querschnittsfläche der Seilbeschädigung. Beschädigte oder fragliche Seile müssen ausgetauscht werden.

WARNUNG: Das Sicherungsseil nicht binden oder kneten. Das Sicherungsseil darf nicht mit scharfen oder scheuernden Oberflächen in Kontakt kommen. Kontrollieren Sie das Sicherungsseil häufig auf Einschnitte, Durchscheuern, Brandstellen oder Zeichen chemischer Schäden. Schmutzablagerungen, Verunreinigungen und Wasser können die dielektrischen Eigenschaften des Sicherungsseils vermindern. Vorsicht in der Nähe von Stromleitungen.

Schritt 8. Kontrollieren Sie eventuell vorhandene Verbindungshaken auf Zeichen von Beschädigungen, Korrosion und ordnungsgemäße Funktion. Die Schwenkung muss frei drehbar sein.

Schritt 9. Überprüfen Sie die Abwickelvorrichtung des Reservesicherungsseils, falls vorhanden, durch Prüfen der Indikatoren:

- ◇ **Stahlsicherungsseil-Modelle (Außer SB-Serie):** Siehe Abbildung 35: A-Kabelführung; B-Kabelstopp; C-Muffe der Kabelführung; D-Abweiser. Siehe Abbildung 36: A-Reservesicherungsseil: rotes Band. Wenn ein Absturz aufgefangen wurde, während das Sicherungsseil größtenteils ausgerollt war, ist es möglich, dass das Reservesicherungsseil aktiviert wurde. Um die Aktivierung des Sicherungsseils zu kontrollieren, ziehen Sie das Sicherungsseil bis zum Anschlag aus der SRL-Einheit. Wenn die Anzeige mit dem roten Band sichtbar ist, wurde das Reserve-Sicherungsseil aktiviert. Wenn das Reserve-Sicherungsseil nicht aktiviert wurde, ist dieser Abschnitt akzeptabel und die Kontrolle kann fortgesetzt werden.
- ◇ **Modelle der SB-Serie:** Diese SRL haben keine Reservesicherungsseilfunktion.
- ◇ **Gewebte UltraLok-Sicherungsseil-Modelle:** Kontrollieren Sie die Abwickelvorrichtung des Reservesicherungsseils. Wenn ein Absturz aufgefangen wurde, während das Sicherungsseil größtenteils ausgerollt war, ist es möglich, dass das Reservesicherungsseil aktiviert wurde. Ziehen Sie das Sicherungsseil bis zum Anschlag aus der SRL-Einheit. Wenn das Reserve-Sicherungsseiletikett (F) wie in Abbildung 7 sichtbar ist, wurde das Reservesicherungsseil aktiviert und die Einheit muss von einem autorisierten Kundendienst gewartet werden, bevor sie wieder eingesetzt werden kann. Wenn das Reservesicherungsseil nicht aktiviert wurde, fahren Sie mit der Kontrolle fort.

- ◇ **Synthetische Sicherungsseil-Modelle:** Kontrollieren Sie die Abwickelvorrichtung des Reservesicherungsseils. Wenn ein Absturz aufgefangen wurde, ist es möglich, dass das Reservesicherungsseil aktiviert wurde. Um die Aktivierung des Sicherungsseils zu kontrollieren, ziehen Sie das Sicherungsseil bis zum Anschlag aus der SRL-Einheit. Wenn das Reservesicherungsseil-Warnetikett (A) sichtbar ist, wurde das Reservesicherungsseil aktiviert. Siehe Abbildung 37. Wenn das Reservesicherungsseil nicht aktiviert wurde (das Reservesicherungsseil-Etikett ist nicht sichtbar), ist dieser Abschnitt akzeptabel und die Kontrolle kann fortgesetzt werden.

WICHTIG: Wenn Indikatoren sichtbar sind, muss die Einheit von einem autorisierten Kundendienst gewartet werden, bevor sie wieder eingesetzt werden kann.

Schritt 10. Überprüfen Sie alle Systemkomponenten und Teilkomponenten gemäß den Anweisungen des Herstellers.

- **SCHRITTE ZUR KONTROLLE VON BERGUNGSKOMPONENTEN:** (MODELLE 3400101, 3400102, 3400301, 3400302, 3400501 UND 3400502): Siehe Abbildung 2.

Schritt 11. Kontrollieren Sie den Bergungsarm (A) auf Verformung oder andere Schäden. Der Bergungsgriff (B) sollte leicht in den Bergungsarm greifen und der Druckknopf sollte einwandfrei arbeiten.

Schritt 12. Der Schiebeknopf (F) sollte sich bei Aktivierung und Deaktivierung frei drehen können. Der Zugring (D) am Schiebeknopf sollte bei Freigabe zurückspringen.

Schritt 13. Kontrollieren Sie den Bergungsmodus auf korrekte Funktion. Zur Überprüfung heben und senken Sie ein Testgewicht (Sandsack) zwischen 34 und 141 kg. Die Bergungsfunktion sollte glatt und gleichmäßig laufen. Wenn der Bergungsgriff (B) freigegeben wird, sollte das Gewicht sich nicht bewegen und der Bergungsgriff in seiner Position (unbeweglich) bleiben. Beim Heben des Gewichts sollte ein „klickendes“ Geräusch zu hören sein.

Schritt 14. Die Klinkenabdeckung (H) (siehe Abbildung 3) muss sicher und ohne Verformungen sein. Die optionale Montagehalterung muss sicher am SRL befestigt und ohne Defekte sein. Der eingekerbte Stift muss einwandfrei arbeiten.

- **SCHRITTE ZUR KONTROLLE VON BERGUNGSKOMPONENTEN:** (MODELLE 340854 UND 340855) Siehe Abbildung 4.
 - Schritt 11.** Kontrollieren Sie den Bergungsarm (E) auf Verformung oder andere Schäden. Stellen Sie sicher, dass der Bergungsgriff (A) nach außen rotiert und in Drehposition gesichert werden kann.
 - Schritt 12.** Stellen Sie sicher, dass der Schraubverschluss (D) ganz angezogen werden kann.
 - Schritt 13.** Stellen Sie sicher, dass der Schiebeknopf (C) in die offene Position herausgezogen werden und dann losgelassen werden kann, damit die Kurbel (E) sowohl in der eingerasteten als auch in der nicht eingerasteten Position arretiert werden kann.
 - Schritt 14.** Prüfen Sie den Bergungsmodus auf korrekte Funktion, indem Sie ein Testgewicht (Sandsack) zwischen 34 und 141 kg heben und senken. Die Bergungsfunktion sollte glatt und gleichmäßig laufen. Wenn der Bergungsgriff (B) freigegeben wird, sollte das Gewicht sich nicht bewegen und der Bergungsgriff in seiner Position (unbeweglich) bleiben. Beim Heben des Gewichts sollte ein "klickendes" Geräusch zu hören sein.
- **VERFAHREN BEI DEFEKTEN: SIEHE ANLEITUNG, ABSCHNITT 1.2.**

WICHTIG: Nur Capital Safety oder Dritte, die hierzu schriftlich autorisiert sind, dürfen Reparaturen an dieser Ausrüstung vornehmen.

8.0 LEBENSDAUER

Solange das SRL die Kontrolle durch einen Sachverständigen¹ besteht, kann sie in Betrieb bleiben. Garantieinformationen finden Sie in der Anleitung, Abschnitte 4.2 und 1.16.

9.0 WARTUNG, LAGERUNG, TRANSPORT (Siehe Anleitung Abschnitt 3)

- **WARTUNG**
 - ◇ Positionieren Sie das SRL so, dass überschüssiges Wasser abfließen kann.
 - ◇ Reinigen Sie die Etiketten je nach Erfordernis.

¹ Sachverständige Person: Eine in Bezug auf Empfehlungen, Anweisungen und produzierte Komponenten eines Herstellers fachkundige Person, die in der Lage ist, bei der ordnungsgemäßen Auswahl, Verwendung und Wartung einer Absturzschutzsicherungsausrüstung bestehende und vorhersehbare Gefahren einzuschätzen.

- ◇ Befolgen Sie die Anleitungsabschnitte 3.1 und 3.2. Übermäßige Ablagerungen von Schmutz, Farbe usw. können verhindern, dass das Sicherungsseil vollständig ins Gehäuse eingezogen wird, mit der Gefahr eines möglichen freien Absturzes. Ersetzen Sie das Sicherungsseil bei übermäßigen Ablagerungen.
- ◇ Fetten Sie keines der Teile.

WARNUNG: Wenn das Sicherungsseil in Kontakt mit Säure kommt, verwenden Sie es nicht und waschen Sie es mit einer milden Seifenlösung und Wasser. Kontrollieren Sie die Einheit, bevor Sie sie wieder benutzen.

- **LAGERUNG:** Siehe Anleitung, Abschnitt 3.3. Kontrollieren Sie das SRL nach jeder längeren Lagerung.
- **TRANSPORT:** Siehe Anleitung, Abschnitt 3.4.

10.0 SERVICE

Ersatz von Sicherungsseilen wie auch zusätzliche Wartung und Service müssen von einem autorisierten Kundendienst durchgeführt werden. Eine Autorisierung und eine Bestätigungsnummer müssen von Capital Safety erteilt werden. Das SRL nicht zerlegen. Häufigkeit der Kontrollen: Siehe Abschnitt 7.0 für Häufigkeit der Kontrollen.

- **11.0 SPEZIFIKATIONEN UND ETIKETTEN (SIEHE ERGÄNZUNG ZUM MODELL)**
- **12.0 TERMINOLOGIE**

RETTER: Person oder Personen außer dem Opfer, die handeln, um eine unterstützte Rettung mit einem Bergungssystem durchzuführen.

SACHVERSTÄNDIGE PERSON: Siehe Anleitung Abschnitt 16.

Avete appena acquistato un PPE con marchio Capital Safety per fornire protezione da cadute a operatori che lavorano in altezza. Vi ringraziamo per la fiducia riposta nella nostra attrezzatura. Per ottenere la maggior sicurezza e il comfort previsti, conservare e seguire tutte le istruzioni. Tutti gli utenti e soccorritori (vedere la sezione 12 Terminologia) sono tenuti a leggere il presente manuale prima dell'utilizzo.

Per l'identificazione degli elementi numerati in una casella bianca vedere il 'Glossario' nelle "Istruzioni Generali per l'uso e la manutenzione".

1.0 DESCRIZIONE/FUNZIONE

I cavi di sicurezza retrattili (SRL) Capital Safety sono componenti nei sistemi di arresto di cadute personali (PFAS). Questi sistemi includono tipicamente un'imbracatura professionale, un connettore di ancoraggio (ossia un moschettoni) e il cavo SRL. Da utilizzare in situazioni in cui la mobilità del lavoratore e la protezione dalle cadute sia necessaria (lavoro di ispezione, costruzioni, manutenzione, produzione petrolifera e lavoro in spazi ristretti. ecc).

Alcuni modelli sono caratterizzati da un'opzione di recupero*. Questi modelli hanno capacità di arresto standard quando sono usati non in modalità recupero. In modalità recupero, questi modelli possono essere usati per salvataggi di emergenza (sollevamento o abbassamento) di personale entro il range di capacità indicato sotto. È inoltre permesso usare modelli di recupero per sollevare e abbassare materiali entro il range di capacità indicato.

- **SRL A TENUTA:** i cavi SRL a tenuta della Capital Safety incorporano una tecnologia di tenuta brevettata che separa tutti i componenti dinamici dagli elementi estranei come grasso, umidità e sporco per un funzionamento sicuro in tutte le condizioni lavorative. Vedere la Figura 1: A-impugnatura di ancoraggio, B-Etichetta con istruzioni, C-Alloggiamento, D-Etichetta indicatore d'impatto, E-Etichetta identificativa, F-Passacavo, G-Cavo di sicurezza, H-Paraurti, I-Anello, J-Gancio a scatto autobloccante.
 - ◇ **SRL a tenuta con funzione di recupero:** vedere la Figura 2:
A-Braccio di recupero, B-Impugnatura di recupero, C-Supporto stivaggio impugnatura, D-Anello tenditore, E-Etichetta di funzionamento, F-Manopola di regolazione, G-Etichetta recupero, H-Copertura denti di arresto, I-Etichetta limitatore di coppia.
- **SRL SEALED-BLOK™:** include alloggiamento in alluminio fuso e piastre terminali in acciaio inossidabile o alluminio di elevato spessore, freno anti-strappo, impugnatura di trasporto integrata (facilita il trasporto e fornisce un punto di attacco secondario di "protezione degli oggetti in caduta"), grossa impugnatura di ancoraggio rotante e gancio autobloccante girevole con indicatore d'impatto. Vedere la Figura 3: A-Impugnatura di ancoraggio, B-Alloggiamento, C-Etichetta con istruzioni, D-Passacavo, E-Etichetta identificativa, F-Cavo di sicurezza, G-Paraurti, H-Tag RFID; I-Gancio a scatto autobloccante.
 - ◇ **SRL Sealed-Blok™ con recupero:** vedere la Figura 4: A-Impugnatura di recupero, B-Etichetta di recupero, C-Manopola di regolazione, D-Vite di bloccaggio, E-Braccio di recupero (braccio di manovella), F-Etichetta funzionamento verricello, G-Etichetta RFID.

IMPORTANTE: *l'attrezzatura di recupero può non essere adatta per applicazioni che necessitino un uso frequente o continuo come un paranco. Consultare Capital Safety prima di usare questo prodotto per applicazioni di questo tipo. I modelli con funzione di recupero non sono progettati per essere usati per il posizionamento nel lavoro o per applicazioni di trasporto personale.*

- **SRL ULTRA-LOK®:** i cavi SRL Ultra-Lok® della Capital Safety hanno in dotazione un alloggiamento in poliuretano vetrificato di lunga durata, un cavo di sicurezza in fune metallica o a trama e piastre laterali in alluminio per la durata massima e il minimo peso. I sistemi hanno un sistema di frenatura a due dischi antistrappo con un indicatore audio per indicare che il funzionamento è corretto.
 - ◇ **SRL ULTRA-LOK® DI TIPO A FUNE METALLICA e SINTETICA:** Include un punto di ancoraggio a occhiello girevole, gancio a scatto autobloccante girevole con indicatore d'impatto, e selezione di cavi di sicurezza in fune metallica in acciaio galvanizzato o inossidabile, o fune sintetica. Il cavo di sicurezza in fune metallica è disponibile nelle seguenti lunghezze: 6,1, 9,1, 15,2 e 25,9 m. Il cavo di sicurezza in fune sintetica è disponibile nelle seguenti lunghezze: 6,1, 10,7, e 16,8 m. Vedere la Figura 5: A-Occhiello girevole; B-Etichetta nota di ispezione, C-Etichetta di avvertenza, D-Etichetta Ultra-Lok, E-Etichetta identificativa, F-Etichetta connessioni; G-Fune metallica o sintetica; H-Paraurti; I-Tag RFID; J-Tag RFID; K-Gancio autobloccante.
 - ◇ **SRL LEADING EDGE:** include punto di ancoraggio a occhiello girevole, gancio a scatto autobloccante girevole con indicatore d'impatto, antiurto integrale, e cavo di sicurezza in fune metallica galvanizzata da 9,1 m. Vedere la Figura 6: A-Occhiello girevole; B-Etichetta nota di ispezione, C-Etichetta di avvertenza, D-Etichetta Ultra-Lok, E-Etichetta connessioni; F-Fune metallica; Tag GRFID; H-Assorbitore d'urto; I-Gancio a scatto autobloccante.
 - **Note:** il modello di SRL 3504500 della Capital Safety è progettato per l'uso in applicazioni in cui le cadute possono verificarsi su un bordo, come un tetto, una costruzione con bordi, ecc. Questo modello è particolarmente adatto per l'uso con un sistema anticaduta, usando connettori di ancoraggio Capital Safety adatti ai lavori su bordi. Raccomandiamo il dispositivo di ancoraggio orientabile per tetti in cemento 2105503.
 - ◇ **SRL ULTRA-LOK® DI TIPO A TRAMA:** include un punto di attacco di ancoraggio a occhiello girevole, gancio a scatto autobloccante, e cavo di sicurezza a trama in nylon largo 2,54 cm, disponibile nelle lunghezze 3,4 m e 6,1 m. Vedere la Figura 7: A-Occhiello girevole; Etichette: B-Avvertenza, C-ID, D-Indicatore d'impatto, E-Conessioni, F-Cavo di sicurezza inverso; G-tag RFID; H-Cavo di sicurezza a trama; I-Blocco indicatore; I-Gancio di collegamento.
- **SRL SERIE SB:** include un robusto alloggiamento in alluminio fuso, sistema di frenata a disco antistrappo, catena di ancoraggio in acciaio rotante ad elevata resistenza, ritenuta cavo di sicurezza di riserva e gancio a scatto autobloccante girevole con indicatore d'impatto. Vedere la Figura 8: A-Catena; B-Indicatore d'impatto, C-Etichetta SALA, D-Etichetta indicatore

d'impatto, E-Etichetta Avvertenza, F-Etichetta specifiche, G-Etichetta con istruzioni (lato sinistro), H- Etichetta identificativa, I-Etichetta con istruzioni (lato destro); J-Fune metallica; K-Tag RFID; L-Redancia a goccia; M-gancio a scatto autobloccante girevole; N-Opzioni gancio.

IMPORTANTE: vedere GIUM Sezioni 1.1 e 1.3 prima di usare l'attrezzatura.

IMPORTANTE: prima di utilizzare questa attrezzatura, riportare le informazioni identificative del prodotto poste nell'Etichetta identificativa (1) nella scheda apposita dell'attrezzatura al termine del GIUM.

2.0 REQUISITI: l'installazione e l'utilizzo della presente attrezzatura sono soggetti alle seguenti limitazioni:

- **CAPACITÀ:** una persona. In nessun momento più di una persona dovrà collegarsi a un cavo SRL singolo per applicazioni anticaduta. Le applicazioni di recupero possono essere differenti per ciascun modello. Vedere il Supplemento per Modello per ulteriori informazioni.
- **VELOCITÀ DI ARRESTO:** evitare situazioni che non consentono una caduta libera. Gli esempi includono: lavorare in spazi stretti o bloccati, su materiale a lento spostamento (come sabbia o ghiaia) o su tetti spioventi dove un lavoratore potrebbe scivolare piuttosto che cadere. Queste situazioni potrebbero impedire il raggiungimento della velocità di arresto adeguata del cavo SRL in caso di caduta. È necessaria una traiettoria sgombra per garantire l'efficacia dell'arresto del cavo SRL.
- **RISCHI AMBIENTALI E FISICI:** l'uso di questa attrezzatura in aree soggette a rischi ambientali può richiedere precauzioni addizionali per ridurre la possibilità di lesioni per l'operatore o danni all'attrezzatura. Tra i rischi possono essere compresi i seguenti, pur non limitandosi a questi:
 - ◇ **Corrosione:** non lasciare l'attrezzatura per lunghi periodi in ambienti dove potrebbe verificarsi la corrosione delle parti metalliche dovuta a vapori da materiali organici. È necessario prestare attenzione durante l'utilizzo in presenza di acque di scarico o fertilizzanti a causa dell'elevato contenuto di ammoniaca, una sostanza molto corrosiva. L'utilizzo nelle vicinanze di acqua di mare o altri ambienti corrosivi potrebbe richiedere ispezioni o interventi di manutenzione più frequenti volti a garantire che i danni della corrosione non influiscano sulle prestazioni del prodotto.
 - ◇ **Sostanze chimiche:** soluzioni contenenti acidi, alcali o altre sostanze chimiche caustiche, in particolare a temperature elevate, possono danneggiare il cavo SRL DBI-SALA. Durante l'uso in presenza di tali sostanze chimiche, è necessario ispezionare frequentemente l'intero SRL. I danni al cavo di sicurezza dovuti a sostanze chimiche sono difficili da rilevare e si raccomanda la sostituzione periodica del cavo di sicurezza al fine di garantire la sicurezza. Il cavo di sicurezza può essere sostituito solo da un centro di assistenza autorizzato.
 - ◇ **Calore:** la presente attrezzatura non è progettata per essere usata a temperature elevate. Proteggere l'attrezzatura quando viene utilizzata vicino a zone dedicate alla saldatura, taglio del metallo, o attività simili. Scintille calde rischiano di bruciare o danneggiare l'attrezzatura.

Nota: i cavi di sicurezza in fune sintetica non sono ignifughi e non devono essere esposti a calore eccessivo. Non usare quanto segue in ambienti o superfici di contatto al di sopra delle temperature specifiche indicate:

- Fune Spectra a 60 °C
- Fune Spectra a 120 °C

◇ **Avvertenze di carattere elettrico:** poiché è possibile che la corrente elettrica passi attraverso il cavo di sicurezza in fune metallica, fare attenzione quando si lavora in prossimità di linee ad alto voltaggio.

Rivolgersi alla Capital Safety in caso di domande sull'uso di questo equipaggiamento, qualora esistano rischi di tipo ambientale o fisico.

IMPORTANTE: per ulteriori informazioni sui sistemi di prevenzione delle cadute personali o di ritenuta e i relativi componenti, fare riferimento alle norme in vigore.

- **COMPATIBILITÀ DEI COMPONENTI:** l'attrezzatura è progettata per essere utilizzata esclusivamente con componenti e sottosistemi approvati dalla Capital Safety. Vedere anche GIUM sezione 1.12.
- **COMPATIBILITÀ DEI CONNETTORI E REALIZZAZIONE DEI COLLEGAMENTI:** i connettori (ganci, moschettoni, anelli a D) devono essere in grado di supportare almeno 22 kN. I connettori devono essere compatibili con l'ancoraggio e gli altri componenti del sistema nonché essere conformi agli standard EN362. Vedere la Figura 9: A-Ancoraggio; B-Connettore; C-Connettore di ancoraggio, D-Staffa di montaggio; E-Treppiede. Vedere anche GIUM Sezione 5 e figure per EN362.
- **FORZA DI ANCORAGGIO:** la forza di ancoraggio richiesta dipende dal tipo di applicazione. Le ancore devono essere conformi agli standard EN795. Vedere anche GIUM sezione 12.
- **SISTEMA ORIZZONTALE:** nelle applicazioni dove un SRL viene usato insieme a un sistema orizzontale (ovvero, travi a I e carrelli orizzontali), i componenti del sistema orizzontale e il cavo SRL devono essere compatibili. I sistemi orizzontali devono essere progettati e installati sotto la supervisione di un tecnico qualificato.
- **SISTEMA DI RECUPERO OPZIONALE:** quando si utilizza un SRL con un sistema di recupero opzionale, assicurarsi che la struttura di supporto (ovvero, treppiede, braccio della gru) sia compatibile con la connessione, il funzionamento, la stabilità e la forza del cavo SRL. Vedere la Figura 10-Montaggio opzionale per il Modello 3400614: A-Dado esagonale autobloccante, M12 x 1,75, in acciaio zincato (ZP); B-Vite esagonale, M12 x 1,75 x 25 cm, Dado metrico Classe 8.8, ZP; C-Superficie di montaggio; D-usare le rondelle se necessario; E-Rondella, 12 mm, ZP, 5 tipica; F-Vite esagonale, M12 x 1,75 x 8 cm, Dado metrico Classe 8.8, ZP.

3.0 FORMAZIONE

Spetta agli utenti dell'attrezzatura leggere e comprendere le relative istruzioni e addestrarsi all'installazione, all'uso e alla manutenzione corretti di questa attrezzatura. Questo manuale utente non sostituisce un programma di

formazione.

IMPORTANTE: leggere attentamente GIUM Sezione 1.1 riguardante la formazione.

4.0 PIANIFICAZIONE

PRIMA DI OGNI UTILIZZO: leggere GIUM Sezione 1.1 "Prima di ogni utilizzo" e ispezionare attentamente il cavo SRL per assicurarsi che sia in buone condizioni operative seguendo le fasi indicate nella Sezione 7.0. Inoltre, fare quanto segue:

- Assicurarsi che tutti bulloni siano presenti e ben fissati.
- Disimpegnare la linea e ritrarla lentamente. In caso di esitazione durante la fase di ritrazione, l'unità deve essere inviata a un centro Capital Safety autorizzato per l'assistenza.
- Verificare l'azione di bloccaggio tirando fermamente il cavo.
- Non utilizzarlo se l'ispezione rivela una condizione non sicura.

IMPORTANTE: leggere GIUM Sezioni 1.3, 1.4, 1.12 durante la pianificazione del sistema.

PIANIFICAZIONE: pianificare il sistema di protezione anticaduta prima di iniziare i lavori. Considerare i fattori che possono influire sulla propria sicurezza prima, durante e dopo una caduta. Il seguente elenco indica alcuni punti importanti da tenere presente:

- **ANCORAGGIO:** selezionare un punto di ancoraggio rigido (vedere la Figura 9). Per ulteriori informazioni in merito alla forza dell'ancoraggio, consultare la Sezione 2.0. Selezionare attentamente la posizione dell'ancoraggio per ridurre il rischio di caduta libera e di caduta in oscillazione. Fare riferimento alla Sezione 2.0 per il montaggio opzionale dei sistemi di recupero.

IMPORTANTE: solo i cavi SRL che possono essere usati in modo orizzontale (indicato dall'etichetta), come il cavo SRL Leading Edge, possono essere ancorati a livello del piede o al di sopra. Vedere la Figura 12. Tutti gli altri SRL devono essere ancorati al di sopra dell'attacco dell'imbracatura integrale (indicato dall'etichetta). Vedere la Figura 11.

- **CADUTE IN OSCILLAZIONE:** le cadute in oscillazione si verificano quando il punto di ancoraggio non è esattamente al di sopra del punto in cui si verifica la caduta. Vedere la Figura 13. La forza d'urto contro un oggetto durante una caduta in oscillazione può causare gravi lesioni personali. In caso di caduta in oscillazione, lo spazio di caduta verticale totale dell'utente sarà maggiore rispetto a una caduta verticale esattamente al di sotto del punto di ancoraggio, aumentando così lo spazio di caduta libera totale e dell'area necessaria ad arrestare la caduta in piena sicurezza. Il cavo SRL si attiva indipendentemente dall'orientamento rispetto all'utente. Esaminare la specifica applicazione per determinare quale debba essere la zona di lavoro appropriata. Ridurre al minimo le cadute in oscillazione lavorando il più possibile sotto al punto di ancoraggio. Non consentire cadute in oscillazione per evitare lesioni. Se esiste il rischio di caduta in oscillazione durante l'applicazione, contattare Capital Safety prima di procedere con i lavori.

- **SPAZIO LIBERO NELLA CADUTA:** assicurarsi che esista adeguato spazio libero nella caduta per evitare di urtare un oggetto. Lo spazio libero minimo è di 4,5 m dal livello dell'anello a D dorsale fino al successivo livello di ostruzione o di un oggetto. Vedere la Figura 14. Ulteriore spazio libero è necessario se sussiste l'eventualità di una caduta in oscillazione.
- **BORDI TAGLIENTI:** evitare di operare in posizioni in cui il cavo di sicurezza potrebbe entrare in contatto con o essere raschiato da bordi taglienti esposti. Fornire protezione al cavo di sicurezza quando possibile. Un componente assorbitore di energia talvolta può essere aggiunto in linea per una maggiore protezione del lavoratore. In tal caso devono essere considerati i problemi relativi alla compatibilità e allo spazio di caduta totale. Contattare la Capital Safety prima di utilizzare un componente assorbitore di energia in linea o un cordoncino con un SRL.

IMPORTANTE: anche se il cavo SRL Leading Edge (Modello 3504500) fornisce ulteriore protezione dalle cadute che si verificano sui bordi, la protezione contro il taglio deve essere fornita quando si lavora vicino a bordi estremamente taglienti come acciaio tagliato, laminato a freddo o tagliato alla fiamma. La protezione dai bordi non è necessaria in caso di acciaio laminato a caldo, impalcato in acciaio, cemento o legno.

- **SALVATAGGIO:** se si verifica una caduta, l'imprenditore deve avere un piano di salvataggio e la capacità di metterlo in atto.
- **DOPO UNA CADUTA:** l'attrezzatura che è stata soggetta a forze anticaduta deve essere tolta dal servizio per ispezione. Vedere la Sezione 7.
- **ALTRE CONSIDERAZIONI:** evitare di lavorare in punti in cui il proprio cavo potrebbe incrociarsi o aggrovigliarsi con quello di un altro lavoratore. Non permettere al cavo di sicurezza di passare sotto le braccia o tra le gambe. Mai bloccare, annodare oppure ostacolare in alcun modo il cavo di sicurezza nel movimento retrattile o nella tensione. Evitare che il cavo sia lasco. Non avvolgere il cavo intorno a componenti strutturali di piccolo diametro.

IMPORTANTE: leggere e seguire le istruzioni del produttore per le attrezzature associate (ovvero, imbracatura professionale integrale) usata nel sistema anticaduta personale.

IMPORTANTE: per versioni speciali (personalizzate) di questo prodotto, seguire le istruzioni fornite nel manuale. Vedere il supplemento, se incluso, per ulteriori istruzioni quando si utilizza un prodotto personalizzato.

5.0 ASSEMBLAGGIO E INSTALLAZIONE

- **DISPOSITIVO DI SUPPORTO DEL CORPO:** quando si utilizzano i cavi SRL Capital Safety è necessario indossare un'imbracatura integrale (EN361). Per un utilizzo generico di protezione anticaduta, collegare un anello a D dorsale (sul retro) tra le spalle.
 - ◇ **Operazioni di recupero:** si raccomanda l'uso di un'imbracatura integrale per recuperare la vittima, presupponendo che la condizione medica

consenta il recupero. Sono disponibili modelli con connessioni di recupero (anelli a D per le spalle) posti in alto sulle spalle per aiutare nelle operazioni di recupero.

AVVERTENZA: *le cinture non sono consentite in situazioni di caduta libera. Le cinture aumentano il rischio di infortuni durante l'arresto della caduta rispetto alle imbracature integrali. Un tempo di sospensione limitato e la cintura indossata in modo scorretto possono causare rischi aggiuntivi per la salute dell'utente. Vedere anche GIUM Sezione 2.0.*

- **REALIZZAZIONE DEI COLLEGAMENTI:** quando si utilizza un gancio o un moschettone per fare una connessione, assicurare che non si verifichino fuoriuscite. Vedere la Sezione 2.0, "Compatibilità dei connettori". Vedere la Figura 15. Usare un gancio a scatto autobloccante o un moschettone (A) che si chiuda completamente sull'ancoraggio (B) o sul connettore di ancoraggio (C). Si raccomanda che il Modello 340614 sia attaccato a una struttura in posizione fissa (rispetto alla sospensione) con l'hardware in dotazione. La superficie di montaggio deve soddisfare i requisiti di forza di ancoraggio indicati nella Sezione 2.0, "Forza di ancoraggio." Seguire le istruzioni del produttore fornite con ogni componente del sistema.

6.0 USO

Vedere la Figura 16. Collegare il cavo SRL (A) a un ancoraggio adatto (B). Collegare il gancio a scatto autobloccante (C), al dispositivo anticaduta o all'attacco sulla scala (D) all'imbracatura (E). Vedere la Figura 17. Assicurarsi che le connessioni siano compatibili e il gancio perfettamente chiuso e bloccato. Una volta attaccato, il lavoratore è libero di spostarsi all'interno delle aree di lavoro consigliate a velocità normale. Il cavo di sicurezza deve estendersi e ritrarsi senza esitazione. Il cavo di sicurezza deve restare sempre teso durante l'uso normale. Se durante l'uso normale il cavo è lasco, l'unità deve essere inviata al centro Capital Safety autorizzato per l'assistenza. Se si verifica una caduta, il cavo SRL si blocca e arresta la caduta.

ATTENZIONE: *all'atto di un salvataggio, rimuovere il cavo SRL dall'uso. Vedere GIUM Sezione 1.2.*

Ispezionare come descritto nella Sezione 7.0, "Dopo un arresto delle cadute." Quando si lavora con un SRL, consentire sempre al cavo di sicurezza di riavvolgersi nel dispositivo sotto controllo. Un cavo di controvento può essere necessario per estendere o ritrarre il cavo di sicurezza durante la connessione e la disconnessione. Se il cavo di sicurezza resta completamente esteso per lunghi periodi di tempo, potrebbe causarsi il prematuro indebolimento della molla di richiamo.

- **OPERAZIONE DEL SISTEMA DI RECUPERO (MODELLI 3400101, 3400102, 3400301, 3400302, 3400501, 3400502):** la Figura 17 mostra come attivare la modalità recupero. Rimuovere l'impugnatura di recupero sul lato posteriore del cavo SRL spingendo il pulsante di rilascio in alto sull'impugnatura e tirando verso l'alto. Installare il perno nel foro all'estremità del braccio di recupero. Ruotare il gruppo braccio a lato per accedere alla manopola di regolazione. Sollevare l'anello tenditore (sulla manopola di regolazione) e ruotarlo in senso antiorario di 1/8 di giro e

rilasciare. Ruotare il braccio di recupero in senso orario per aiutare a disimpegnare. **La manopola di regolazione deve spostarsi verso l'interno e ruotare fino a raggiungere una posizione di fermo quando l'azionamento è completamente innestato.**

- ◇ **Per sollevare:** ruotare il braccio di recupero in senso antiorario.
- ◇ **Per abbassare:** ruotare il braccio di recupero in senso orario. Mantenere il cavo di sicurezza teso per tutto il tempo (34 kg minimo).

IMPORTANTE: un carico minimo di 34 kg è necessario per abbassare o rilasciare il cavo.

IMPORTANTE: se si verifica una caduta in modalità arresto delle cadute e il lavoratore deve essere abbassato per sicurezza, sollevare leggermente il lavoratore per rilasciare i denti di arresto e abbassare il lavoratore.

IMPORTANTE: non continuare a ruotare il braccio di recupero verso il basso dopo che il cavo sia completamente esteso. È possibile che si danneggi la molla.

- ◇ **Disinnesto della modalità recupero:** rimuovere il carico dal cavo di sicurezza. Ruotare la manopola di regolazione in senso antiorario di 1/8 di giro, disimpegnare l'anello, ruotare la manopola di regolazione in senso orario di 1/8 di giro. Rilasciare l'anello tenditore. Rimuovere l'impugnatura di recupero dal braccio di recupero e riporre nel supporto di stivaggio. Inserire il perno dell'impugnatura di recupero attraverso l'impugnatura e nel supporto di stivaggio.
- ◇ **Funzione di sovraccarico in recupero:** i cavi SRL che incorporano la funzione di recupero (mostrata in Figura 17) sono dotati di un limitatore di coppia che protegge i componenti di azionamento e la persona che viene sollevata da forza eccessiva. Questa stessa funzione fornisce assorbitori d'urto per l'utente se si verifica una caduta quando è inserita la modalità recupero. Il limitatore di coppia è impostato in modo da scorrere ad approssimativamente 227 kg, per consentire le applicazioni per i salvataggi di emergenza laddove sia necessaria un'ulteriore capacità di sollevamento.

IMPORTANTE: la capacità per l'operazione di recupero è di 210 kg.

IMPORTANTE: azionare il sistema di recupero con carichi maggiori della capacità specificata riduce il fattore di sicurezza nel suo complesso. Qualsiasi unità che sia stata usata al di sopra della capacità specificata deve essere rimossa dal servizio e inviata a Capital Safety per l'ispezione.

- ◇ **Montaggio modelli provvisti di dispositivo di recupero:** i modelli di SRL provvisti di dispositivo di recupero mostrati nella figura 1 e 2 possono essere usati con supporti opzionali (Numero articoli Capital Safety 3401123 e 3401090) per il montaggio sul treppiede, sul braccio della gru o sull'asta della scala. Seguire le fasi indicate sotto per il montaggio e

l'utilizzo di tali supporti.

IMPORTANTE: se il supporto per il treppiede non è attaccato, posizionare il gruppo piastra di bloccaggio nella posizione desiderata sul treppiede e serrare i bulloni a 20 Nm. Non serrare eccessivamente.

- Fase 1.** Attaccare il supporto al cavo SRL inserendo i due bulloni in dotazione attraverso i fori nell'alloggiamento del cavo SRL. Attaccare i dadi e fissare. Vedere la Figura 18.
- Fase 2.** Dopo che il supporto è stato fissato al cavo SRL, posizionare il gruppo di supporto del cavo SRL sul supporto del treppiede, sul braccio della gru o sull'asta della scala. La fessura all'estremità del supporto del cavo SRL scorre nel perno estendendosi al di fuori di ogni lato del supporto. Riposizionare il supporto del treppiede come richiesto per un'appropriata altezza operativa. Vedere la Figura 19.
- Fase 3.** Con il gruppo sul perno, far girare la parte superiore del cavo SRL verso l'interno per allineare i fori. Premere il pulsante all'estremità del perno di arresto e far scorrere il perno perfettamente per assicurare il gruppo SRL al treppiede, al braccio della gru o all'asta della scala. Vedere la Figura 20.
- Fase 4.** Estendere il cavo fino alla struttura di supporto e sopra le pulegge. Reinstallare i perni d'arresto vicino alla puleggia per evitare che il cavo scorra fuori dalle pulegge. Vedere la Figura 21. Le figure 22 e 23 mostrano un attacco completo.
- **OPERAZIONE SISTEMA DI RECUPERO (MODELLI 340854 E 340855) (EN360:2002 E EN1496:2006 CLASSI A,B):** la Figura 4 identifica i componenti chiave del sistema di recupero. Per azionare la modalità recupero, ruotare la vite di bloccaggio (D) completamente verso il basso per liberare il braccio della manovella (E). Ruotare l'impugnatura (A) fuori dalla posizione di stivaggio. Per impegnare il verricello, tirare e tenere ferma la manopola di regolazione (C) in posizione non bloccata. Spingere il braccio della manovella (E) in posizione innestata e rilasciare la manopola di regolazione (C). Se necessario, ruotare il braccio della manovella in senso orario, (abbassamento) per aiutare a innestare l'ingranaggio.
 - ◇ **Per sollevare:** ruotare il braccio della manovella in senso antiorario. Il dispositivo di sollevamento di salvataggio viene usato solo se è possibile un processo di sollevamento senza ostacoli e non deve essere usato se gli ostacoli presentano un pericolo.
 - ◇ **Per abbassare:** primo, far girare la manovella in senso antiorario per rilasciare il freno di arresto delle cadute, quindi farla girare in senso orario. La funzione di abbassamento è destinata solo a una persona su uno spazio massimo di 2 m.

IMPORTANTE: un carico minimo di 34 kg è necessario per abbassare o rilasciare il cavo. Un carico massimo per questo dispositivo è di 141 kg. Sull'impugnatura di recupero è necessaria una forza fino a 13 kg per azionare il verricello quando il peso ha raggiunto la capacità massima. Inoltre, deve esserci sempre contatto visivo diretto o indiretto o qualsiasi altro mezzo di comunicazione con il salvato durante tutto il tempo del processo di salvataggio.

ATTENZIONE: smettere di girare la manovella quando il cavo è completamente esteso o ritratto. Continuare a girare la manovella può danneggiare i componenti.

- ◇ **Disinnesto della modalità recupero:** rimuovere il carico dal cavo di sicurezza. Tirare e tenere ferma la manopola di regolazione in posizione non bloccata. Tirare il braccio della manovella fuori dalla posizione disinnestata e rilasciare la manopola di regolazione. Assicurare il braccio della manovella con la vite di bloccaggio. Disimpegnare l'impugnatura di recupero e ruotare l'impugnatura in posizione di stivaggio.
- ◇ **Funzione di sovraccarico in recupero:** i verricelli sui modelli di SRL (come mostrato in Figura 4) non incorporano un limitatore di coppia per limitare la forza applicata ai componenti di azionamento e alla persona che viene sollevata. Fare attenzione ad evitare che il cavo sia lasco mentre è in modalità salvataggio. Inoltre, la persona deve essere monitorata durante il recupero per assicurare che non sia urtata e sottoposta ad eccessiva forza da un sollevamento continuo.

IMPORTANTE: far funzionare il sistema di recupero con carichi maggiori della capacità specificata riduce il fattore di sicurezza nel suo complesso. Qualsiasi unità che sia stata usata al di sopra della capacità specificata deve essere rimossa dal servizio e inviata a Capital Safety per l'ispezione.

- ◇ **Montaggio modelli dotati di dispositivo di recupero:** i modelli di SRL dotati di dispositivo di recupero (come sjp-wm om Figure 3 e 4) possono essere usati con un supporto opzionale (Modello 3401025) per il montaggio al treppiede, al braccio della gru o all'attacco della scala di Capital Safety. Seguire le fasi indicate sotto per il montaggio e l'utilizzo del supporto.

IMPORTANTE: se il supporto per il treppiede non è attaccato, posizionare il gruppo piastra di bloccaggio nella posizione desiderata sul treppiede e serrare i bulloni a 20 Nm. Non serrare eccessivamente.

- Fase 1.** Rimuovere le tre viti di fissaggio inserendo i fori a lato dell'alloggiamento del cavo SRL. Vedere la Figura 24.
- Fase 2.** Attaccare il supporto al cavo SRL inserendo i tre bulloni in dotazione attraverso i fori nell'alloggiamento del cavo SRL. Vedere la Figura 25.
- Fase 3.** Dopo che il supporto è stato fissato al cavo SRL, posizionare il gruppo di supporto del cavo SRL sul supporto del treppiede, sul braccio della gru o sull'asta della scala. La fessura all'estremità

del supporto del cavo SRL scorre sul perno estendendosi fuori da ciascun lato dell'asta della scala, del braccio della gru o del supporto del treppiede. Riposizionare il supporto del treppiede come richiesto per un'appropriata altezza operativa. Vedere la Figura 26.

Fase 4. Con il gruppo sul perno, far girare la parte superiore del cavo SRL verso l'interno per allineare i fori. Premere il pulsante all'estremità del perno di arresto e far scorrere il perno completamente per assicurare il gruppo SRL al treppiede, al braccio della gru o all'asta della scala. Vedere la Figura 27.

Fase 5. Estendere il cavo fino alla struttura di supporto e sopra le pulegge. Reinstallare i perni d'arresto vicino alla puleggia per evitare che il cavo scorra fuori dalle pulegge. Vedere la Figura 28.

7.0 ISPEZIONE

Il tag RFID i-Safe™ sui cavi SRL (A) può essere usato in combinazione con il dispositivo manuale di lettura i-Safe e il portale web, per semplificare l'ispezione e il controllo dell'inventario, oltre a fornire informazioni sul dispositivo anticaduta. Vedere la Figura 29.

- **FREQUENZA:** prima di ogni utilizzo ispezionare il cavo SRL in conformità con le fasi di ispezione indicate sotto. I cavi SRL devono essere controllati da una persona competente, che non sia l'utente, almeno una volta l'anno. In caso di primo contatto, rivolgersi a un rappresentante del Servizio Assistenza Clienti, oppure se si è già registrati, visitare il sito www.capitalsafety.com/isafe.html. Seguire le istruzioni fornite con il dispositivo manuale di lettura i-Safe oppure sul portale web per trasferire i dati nel proprio registro web. Registrare i risultati di ogni ispezione formale nel Registro degli esami periodici e delle riparazioni nel GIUM (5902392) o utilizzare il portale Web di ispezione i-Safe™ per conservare la documentazione delle ispezioni. Vedere anche GIUM Sezione 4.

Sulle etichette dei cavi SRL vengono riportate le date della manutenzione annuale.

- ◇ **Dopo l'arresto della caduta:** ispezionare l'indicatore di carico d'impatto e l'intero SRL.
- ◇ **Dopo l'uso della modalità recupero:** dopo aver sollevato o abbassato, ispezionare l'indicatore di carico d'impatto e l'intero SRL. Le applicazioni che richiedono sollevamenti e abbassamenti continui possono necessitare di ispezioni e assistenza più frequenti. Contattare la Capital Safety in caso di dubbi sulla frequenza delle ispezioni.

ATTENZIONE: vedere GIUM 1.2 se il cavo SRL è stato sottoposto a un arresto di caduta o a forze d'impatto.

IMPORTANTE: condizioni estreme di lavoro (ambiente proibitivo, uso prolungato, ecc.) possono richiedere un aumento della frequenza dei controlli.

- **FASI DI ISPEZIONE GENERALE:**

Fase 1. Verificare che il cavo SRL non presenti viti o bulloni allentati, parti piegate o danneggiate.

Fase 2. Verificare che l'alloggiamento non presenti parti distorte, crepe o altri danni.

Solo modelli UltraLok: assicurarsi che l'occhiello girevole non sia assolutamente danneggiato o distorto. Assicurarsi che l'occhiello girevole giri liberamente.

Solo la Serie SB: assicurarsi che la catena si muova liberamente e sia priva di distorsioni, rotture, sbavature e parti usurate. Assicurarsi che il dado si perfettamente serrato.

Fase 3. Ispezionare l'indicatore di carico d'impatto. Questa ispezione dipende dal tipo di SRL usato. Seguire le istruzioni dettagliate per il vostro tipo di SRL:

◇ **SRL UltraLok di tipo a cavo e fune:** vedere la Figura 30. Ispezionare l'indicatore di impatto (A). In "modalità normale" (B) dovete verificare la presenza di un anello colorato esposto (C) sul gancio. Se il gancio è nella "modalità indicata" (D), si è verificato un carico di impatto.

- **Nota:** non tentare di resettare l'indicatore di impatto. L'anello non gira liberamente nel "modo indicato."

◇ **SRL SB:** vedere la Figura 31. Verificare il pulsante dell'indicatore di impatto rosso (A), per essere certi che sia allineato con l'alloggiamento. Se il pulsante non è allineato con l'alloggiamento, è entrato in funzione il blocco.

◇ **SRL UltraLok tipo a trama:** vedere la Figura 32. Questi SRL incorporano un indicatore di impatto nel cavo di sicurezza a trama (A). Il nastro vicino all'estremità del gancio (B) del cavo di sicurezza viene piegato su se stesso e cucito con filo rosso, per formare un piccolo anello (C). L'anello cucito si disimpegna ad approssimativamente 1,6 kN. Se la cucitura rossa resta intatta, il cavo SRL non ha subito alcun impatto. Se la cucitura rossa si è rotta e l'anello è andato in pezzi (D), il cavo SRL ha subito un impatto.

◇ **SRL UltraLok tipo Leading Edge:** vedere la Figura 33. I cavi SRL di tipo leading edge 3504500 incorporano un componente assorbitore di energia integrale. Ispezionare l'assorbitore di energia per determinare se è stato attivato. Non deve esserci alcuna evidenza di allungamento (B). Assicurarsi che il rivestimento dell'assorbitore di energia (A) sia ben fermo e non rotto o danneggiato.

ATTENZIONE: se l'ispezione rivela una condizione difettosa, rimuovere immediatamente il cavo SRL dal servizio e contattare un centro di assistenza autorizzato.

Fase 4. Il cavo di sicurezza deve disimpegnarsi e ritirarsi completamente senza esitazione o senza creare una condizione di cavo lasco. Il cavo di sicurezza deve essere teso (sotto tensione). Assicurarsi

che il dispositivo si blocchi quando il cavo di sicurezza viene tirato con forza. Il blocco deve essere deciso, senza slittamenti.

Fase 5. Le etichette devono essere presenti e perfettamente leggibili. Vedere il Supplemento del Modello.

Fase 6. Verificare la presenza di corrosione sull'intera unità.

Fase 7. Ispezionare il cavo di sicurezza.

◇ **Modelli con fune metallica:** vedere la Figura 34. Ispezionare il cavo di sicurezza per verificare la presenza di tagli, pieghe (A), fili rotti (B), attorcigliamenti (C), corrosione, residui di saldature (D), aree di contatto con sostanze chimiche, o aree con gravi abrasioni. Far scorrere il paraurti cavo e ispezionare gli anelli controllando che non presentino segni di rottura o danneggiamento e ispezionare la fune metallica per verificare se presenta corrosione e fili metallici rotti.

- **Nota:** sostituire il gruppo fune metallica se ci sono sei o più fili metallici rotti casualmente distribuiti in un avvolgimento, o tre o più fili rotti nel trefolo di un avvolgimento. Un "avvolgimento" di una fune metallica è la lunghezza della fune metallica necessaria per un trefolo (i gruppi più grandi di fili) per completare un giro o un attorcigliamento lungo la fune. Sostituire il gruppo fune metallica se ci sono fili rotti entro 25 mm dagli anelli.

◇ **Modelli di funi sintetiche o a trama:** vedere la Figura 34. Ispezionare il cavo di sicurezza per individuare concentrazioni di usura, trefoli sfilacciati (E), fili rotti, bruciature (F), tagli (G) e abrasioni. Il cavo di sicurezza deve essere privo di nodi per tutta la lunghezza. Ispezionare per verificare che non ci siano residui di sporco eccessivo (H), sovrapposizioni di mani di vernice e macchie di ruggine. Controllare eventuali segni di danneggiamento chimico o termico, indicato da aree scure, decolorate o fragili. Controllare eventuali segni di danni da raggi ultravioletti, indicati da scolorimento e dalla presenza di frammenti o scaglie sulla superficie del cavo di sicurezza.

- **NOTA:** tutti i fattori succitati sono noti per ridurre la forza della fune. La forza della fune viene ridotta in proporzione all'area trasversale della fune danneggiata. Le funi danneggiate o in condizioni discutibili devono essere sostituite.

ATTENZIONE: non legare o annodare il cavo di sicurezza. Evitare che il cavo di sicurezza entri in contatto con superfici affilate o abrasive. Ispezionare frequentemente il cavo di sicurezza per verificare che non siano presenti tagli, sfilacciature, bruciature o segni di danni dovuti a sostanze chimiche. Lo sporco, i contaminanti e l'acqua possono abbassare le proprietà dielettriche del cavo di sicurezza. Fare attenzione in prossimità di cavi elettrici.

Fase 8. Ispezionare i ganci di connessione, se presenti, per verificare che non siano presenti segni di danni, corrosione e le condizioni operative. L'anello deve poter ruotare liberamente.

Fase 9. Ispezionare lo scorrimento del cavo di sicurezza di riserva, se presente, controllando gli indicatori:

◇ **Modelli di cavi di sicurezza a fune metallica (Escluso la Serie SB):**

vedere la Figura 35: A-Passacavo; B-Farmacavo; C-Manicotto passacavo; D-Paraurti. Vedere la Figura 36: A-Anello rosso cavo di sicurezza di riserva. Se è stata arrestata una caduta quando la maggior parte del cavo di sicurezza era fuori, è possibile che il cavo di sicurezza di riserva sia entrato in funzione. Per verificare se il cavo di sicurezza di riserva sia entrato in funzione, disimpegnare il cavo di sicurezza dal cavo SRL finché non si ferma. Se l'indicatore ad anello rosso è visibile, il cavo di sicurezza di riserva è entrato in funzione. Se il cavo di sicurezza di riserva non è entrato in funzione, quella porzione è accettabile e l'ispezione può continuare.

- ◇ **Modelli Serie SB:** questi SRL non hanno una funzione di cavo di sicurezza di riserva.
- ◇ **Modelli cavi di sicurezza a trama UltraLok:** ispezionare lo scorrimento del cavo di sicurezza di riserva. Se una caduta è stata arrestata con la maggior parte del cavo di sicurezza fuori, è possibile che il cavo di sicurezza di riserva sia entrato in funzione. Disimpegnare il cavo di sicurezza dal cavo SRL finché non si ferma. Se l'etichetta del cavo di sicurezza di riserva (F) è visibile, come mostrato in Figura 7, il cavo di sicurezza di riserva è entrato in funzione e l'unità deve essere sottoposta a manutenzione presso un centro di assistenza autorizzato prima di essere riutilizzata. Se il cavo di sicurezza di riserva non è entrato in funzione, continuare con l'ispezione.
- ◇ **Modelli di cavi di sicurezza a fune sintetica:** ispezionare lo scorrimento del cavo di sicurezza di riserva. Se una caduta è stata arrestata, è possibile che il cavo di sicurezza di riserva sia entrato in funzione. Per verificare se il cavo di sicurezza di riserva sia entrato in funzione, disimpegnare il cavo di sicurezza dal cavo SRL finché non si ferma. Se l'etichetta di avvertenza del cavo di sicurezza di riserva (A) è visibile, significa che il cavo di sicurezza di riserva è entrato in funzione. Vedere la Figura 37. Se il cavo di sicurezza di riserva non è entrato in funzione (l'etichetta del cavo di sicurezza di riserva non è visibile) quella porzione è accettabile e l'ispezione può continuare.

IMPORTANTE: se gli indicatori sono visibili, l'unità deve essere sottoposta a manutenzione presso un centro di assistenza autorizzato prima di riutilizzarla.

- Fase 10.** Controllare tutti i componenti del sistema e il sistema ausiliario in base alle istruzioni del produttore.
- **FASI DI ISPEZIONE PER I COMPONENTI DI RECUPERO:** (MODELLI 3400101, 3400102, 3400301, 3400302, 3400501, 3400502) Vedere la Figura 2
 - Fase 11.** Ispezionare il braccio di recupero (A) per verificare che non siano presenti parti distorte o altri danni. L'impugnatura di recupero (B) deve innestarsi nel braccio di recupero facilmente e il pulsante deve funzionare liberamente.
 - Fase 12.** La manopola di regolazione (F) deve poter ruotare liberamente durante la fase di innesto/disinnesto. L'anello tenditore (D) sulla manopola di regolazione deve ritornare di scatto in posizione

quando viene rilasciato.

Fase 13. Ispezionare la modalità recupero per il funzionamento. Per fare il test, sollevare e abbassare un peso di prova (un sacco di sabbia) tra 34 kg e 141 kg. L'operazione di recupero deve essere scorrevole e uniforme. Quando l'impugnatura di recupero (B) viene rilasciata, il peso non deve muoversi e l'impugnatura di recupero deve restare in posizione (nessun movimento). Si deve udire un "click" quando si solleva il carico.

Fase 14. Il coperchio dei denti di arresto (H) (vedere la Figura 3) deve essere ben fissato e senza deformazione. Il supporto di montaggio opzionale deve essere fermamente attaccato al cavo SRL ed essere privo di difetti. Il perno di arresto deve poter funzionare liberamente.

• **FASI DI ISPEZIONE PER COMPONENTI DI RECUPERO:** (MODELLI 340854 E 340855) Vedere la Figura 4

Fase 11. Ispezionare il braccio di recupero (E) per verificare che non siano presenti parti distorte o altri danni. Assicurare che l'impugnatura di recupero (A) possa essere ruotata e bloccata in posizione di avviamento.

Fase 12. Assicurarsi che la vite di arresto (D) possa essere serrata perfettamente.

Fase 13. Assicurarsi che la manopola di regolazione (C) possa essere disinnestata in posizione non bloccata, quindi rilasciata, bloccando il braccio della manovella (E) in posizione sia di innesto che di disinnesto.

Fase 14. Testare la modalità recupero per il corretto funzionamento sollevando e abbassando un peso di prova tra 34 e 141 kg (un sacco di sabbia). L'operazione di recupero deve essere scorrevole e uniforme. Quando l'impugnatura di recupero (A) viene rilasciata, il peso non deve muoversi e l'impugnatura di recupero (A) deve restare in posizione (nessun movimento). Si deve udire un "click" quando si solleva il carico.

• **PROCEDURA PER CONDIZIONE DIFETTOSA:** vedere GIUM Sez. 1.2.

IMPORTANTE: solo Capital Safety o centri con autorizzazione scritta possono procedere alla riparazione di questa attrezzatura.

8.0 VITA DEL PRODOTTO

Il cavo SRL può restare in servizio a condizione che superi il controllo da parte di una persona competente¹. Vedere GIUM 4.2 e la Sezione 1.16 per le informazioni sulla garanzia.

9.0 MANUTENZIONE, STOCCAGGIO, TRASPORTO (Vedere GIUM Sez. 3)

¹ Persona competente: un soggetto che conosce le raccomandazioni, le istruzioni e i componenti fabbricati dal produttore, ed è in grado di identificare i rischi esistenti e prevedibili nella selezione, nell'utilizzo e nella manutenzione adeguati del dispositivo anticaduta.

- **MANUTENZIONE**

- ◇ Posizionare il cavo SRL in modo che l'acqua in eccesso possa essere espulsa.
- ◇ Pulire le etichette secondo necessità.
- ◇ Seguire GIUM Sezioni 3.1 e 3.2. Un accumulo eccessivo di sporcizia o vernice può impedire una ritrazione completa del cavo di sicurezza nell'alloggiamento causando un rischio di potenziale caduta libera. Sostituire il cavo di sicurezza se è presente un eccessivo accumulo.
- ◇ Non lubrificare nessuna parte.

ATTENZIONE: *se il cavo di sicurezza entra in contatto con acidi, non usare l'unità e lavarla con acqua e sapone delicato. Ispezionare l'unità prima di riutilizzarla.*

- **STOCCAGGIO:** Vedere GIUM Sezione 3.3. Ispezionare accuratamente il cavo SRL dopo un periodo di stoccaggio prolungato.
- **TRASPORTO:** Vedere GIUM Sezione 3.4.

10.0 ASSISTENZA

La sostituzione del cavo di sicurezza, nonché ulteriori procedure di manutenzione e assistenza supplementari devono essere completate da un centro di assistenza autorizzato. Capital Safety deve rilasciare un'autorizzazione e un numero di reso. Non smontare il cavo SRL. Vedere la Sezione 7.0 per la frequenza delle ispezioni.

11.0 SPECIFICHE ED ETICHETTE (VEDERE IL SUPPLEMENTO DEL MODELLO)

12.0 TERMINOLOGIA

SOCORRITORE: persona o persone diverse dal soggetto a rischio che agiscono per compiere un salvataggio assistito tramite il funzionamento del sistema di salvataggio.

PERSONA COMPETENTE: vedere GIUM Sezione 16.

ES INSTRUCCIONES ESPECÍFICAS—CABOS SALVAVIDAS AUTORRETRÁCTILES

Acaba de comprar un equipo de protección personal (EPP) de Capital Safety que le asegura protección contra caídas para las personas que trabajan en altura. Agradecemos su confianza en nuestro equipo. Para poder disfrutar de la seguridad y el confort que espera, es necesario que siga todas las instrucciones. Todos los usuarios y responsables del rescate (consulte la sección 12 Terminología) deben leer este manual antes de usar el equipo.

Para identificar las partes numeradas dentro de un cuadro blanco, consulte el apartado Glosario de las Instrucciones generales de uso y mantenimiento (IGUM).

1.0 PROPÓSITO/DESCRIPCIÓN

Los cabos salvavidas autorretráctiles (*Self Retracting Lifelines, SRL*) de Capital Safety forman parte de los sistemas de protección personal contra caídas (PFAS). Por lo general, estos sistemas incluyen un arnés de cuerpo completo, un conector de anclaje (por ejemplo, un mosquetón) y el SRL. Deben utilizarse en situaciones donde se requiera proporcionar al operario movilidad y protección contra caídas (tareas de inspección, construcción en general, tareas de mantenimiento, producción petrolera, tareas en espacios reducidos, etc.).

Algunos modelos incluyen una opción de recuperación*. Estos modelos tienen capacidades estándar de protección contra caídas cuando se usan en modo de no recuperación. En el modo recuperación, estos modelos pueden usarse para rescate de emergencia (elevación o descenso) de personal, dentro del intervalo de capacidad indicado a continuación. También es posible usar los modelos de recuperación para subir o bajar material dentro del intervalo de capacidad indicado.

- **SRL SELLADOS:** los SRL sellados de Capital Safety incorporan una tecnología de sellado patentada que separa todos los componentes dinámicos de elementos externos como la grasa, humedad y suciedad, para un funcionamiento seguro en todo tipo de condiciones de trabajo. Consulte la figura 1: A-Mango de anclaje, B-Etiqueta de instrucciones, C-Carcasa, D-Etiqueta de indicador de impacto, E-Etiqueta de identificación, F-Guía del cable, G-Cabo salvavidas, H-Tope, I-Casquillo, J-Gancho de seguridad con autobloqueo.
 - ◇ **SRL sellados con función de recuperación:** Consulte la figura 2: A-Brazo de recuperación, B-Mango de recuperación, C-Soporte de almacenamiento del mango, D-Anillo de tracción, E-Etiqueta de funcionamiento, F-Perilla de cambio, G-Etiqueta de recuperación, H-Cubierta del trinquete, I-Etiqueta de limitador de torsión.
- **SRL SEALED-BLOK™:** incluye carcasa de aluminio fundido y placas terminales de acero inoxidable o aluminio de gran calibre, freno anti-tiavance, asa de transporte incorporada (que hace sencillo el transporte y ofrece un punto de fijación de "protección de objetos caídos" secundario), mango de anclaje de giro amplio y gancho giratorio con autobloqueo con indicador de impacto. Consulte la figura 3: A-Mango de anclaje, B-Carcasa, C-Etiqueta de instrucciones, D-Guía del cable,

E-Etiqueta de identificación, F-Cabo salvavidas, G-Tope, H-Etiqueta RFID; I-Gancho de seguridad con autobloqueo.

- ◇ **SRL con recuperación Sealed-Blok™:** consulte la figura 4: A-Mango de recuperación, B-Etiqueta de recuperación, C-Perilla de cambio, D-Tornillo de bloqueo, E-Brazo de recuperación (brazo de manivela), F-Etiqueta de funcionamiento del cabrestante, G-Etiqueta RFID.

IMPORTANTE: *el equipo de recuperación puede que no sea apropiado para aplicaciones que requieran un uso frecuente o continuado tal como un sistema de izado de material. Consulte a Capital Safety antes de utilizar este producto para dichas aplicaciones. Los modelos de recuperación no están diseñados para su uso en posicionamiento de trabajo de aplicación general o aplicaciones de desplazamiento de personal.*

- **SRL ULTRA-LOK®:** los SRL Ultra-Lok® de Capital Safety cuentan con un alojamiento duradero de poliuretano recubierto de vidrio, cable metálico o cabo salvavidas de tejido y placas laterales de aluminio para una máxima durabilidad y un peso mínimo. El sistema tiene un sistema de freno de disco doble antiavance con un indicador de audio que le permite saber que está funcionando adecuadamente.
- ◇ **SRL ESTILO CABO DE MATERIAL SINTÉTICO Y CABLE METÁLICO ULTRA-LOK®:** incluye un punto de fijación de anclaje de cáncamo giratorio, gancho de seguridad giratorio con autobloqueo con indicador de impacto y variedad de cabos salvavidas en cable metálico de acero inoxidable o galvanizado, o cabo de material sintético. Los cabos salvavidas de cable metálico están disponibles en longitudes de 6,1; 9,1; 15,2 y 25,9 m. Los cabos salvavidas de material sintético están disponibles en longitudes de 6,1; 10,7 y 16,8 m. Consulte la figura 5: A-Cáncamo giratorio; B-Etiqueta de nota de inspección, C-Etiqueta de advertencia, D-Etiqueta Ultra-Lok, E-Etiqueta de identificación, F-Etiqueta de conexiones; G-Cable metálico o cabo de material sintético; H-Tope; I-Etiqueta RFID; J-Etiqueta RFID; K-Gancho de seguridad con autobloqueo.
- ◇ **SRL PARA SALIENTES:** incluye un punto de fijación de anclaje de cáncamo giratorio, gancho de seguridad giratorio con autobloqueo con indicador de impacto, mochila de impacto integral y cabo salvavidas de cable metálico galvanizado de 9,1 m. Consulte la figura 6: A-Cáncamo giratorio; B-Etiqueta de nota de inspección, C-Etiqueta de advertencia, D-Etiqueta Ultra-Lok, E-Etiqueta de conexiones; F-Cable metálico; G-Etiqueta RFID; H-Dispositivo de absorción de impactos; I-Gancho de seguridad con autobloqueo.
- **Nota:** el modelo 3504500 de SRL de Capital Safety está diseñado para su uso en aplicaciones en las que pueden producirse caídas por un saliente, como un tejado, construcción en saliente, etc. Este modelo es especialmente apropiado para su uso con un sistema de protección contra caídas, usando conectores de anclaje de Capital Safety pensados para trabajar en salientes. Recomendamos el anclaje giratorio para tejados de hormigón 2105503.

- ◇ **SRL ESTILO TEJIDO ULTRA-LOK®:** incluye un punto de fijación de anclaje de cáncamo giratorio, gancho de seguridad con autobloqueo, y cabo salvavidas de tejido de nailon de 2,54 cm de ancho en longitudes de 3,4 y 6,1 m. Consulte la figura 7: A-Cáncamo giratorio; Etiquetas: B-Advertencia, C-Identificación, D-Indicador de impacto, E-Conexiones, F-Cabo salvavidas invertido; G-Etiqueta RFID; H-Cabo salvavidas de tejido; I-Pliegue indicador; I-Gancho de conexión.
- **SRL SERIE SB:** incluye alojamiento de aluminio fundido de alta resistencia, sistema de freno de disco antiavance, grillete giratorio de anclaje de acero de alta resistencia, retención de cabo salvavidas invertido y gancho de seguridad giratorio con autobloqueo con indicador de impacto. Consulte la figura 8: A-Grillete; B-Indicador de impacto, C-Etiqueta SALA, D-Etiqueta de indicador de impacto, E-Etiqueta de advertencia, F-Etiqueta de especificaciones, G-Etiqueta de instrucciones (lado izquierdo), H-Etiqueta de identificación, I-Etiqueta de instrucciones (lado derecho); J-Cable metálico; K-Etiqueta RFID; L-Ojal tipo lágrima; M-Gancho de seguridad giratorio con autobloqueo; N-Opciones de enganche.

IMPORTANTE: consulte las secciones 1.1 y 1.3 de las IGUM antes de usar este equipo.

IMPORTANTE: antes de usar este equipo, anote la información de identificación del producto que aparece en la etiqueta de identificación (1) en la hoja de identificación del equipo que aparece al final de estas IGUM.

2.0 REQUISITOS: la instalación y uso de este equipo están restringidos por las siguientes limitaciones:

- **CAPACIDAD:** una persona. En ningún momento deberá conectarse más de una persona a un único SRL para protección contra caídas. Las aplicaciones de recuperación pueden diferir para cada modelo. Consulte el suplemento del modelo para obtener más información.
- **VELOCIDAD DE BLOQUEO:** se deben evitar las situaciones que no permitan un trayecto de caída sin obstrucciones. Entre los ejemplos se incluyen: trabajar en espacios reducidos o estrechos, en materiales de desplazamiento lento (como arena o grano) o en tejados con una leve pendiente, en donde un trabajador pueda deslizarse en lugar de caer. Estas situaciones puede que no permitan que el cuerpo alcance suficiente velocidad como para provocar que el SRL se bloquee si se produce una caída. Es necesario un trayecto sin obstáculos para garantizar un bloqueo correcto del SRL.
- **RIESGOS MEDIOAMBIENTALES Y FÍSICOS:** en caso de que use este equipo en zonas con riesgos medioambientales, es posible que sea necesario tomar medidas de seguridad adicionales para reducir la posibilidad de que el usuario se lesione o el equipo sufra daños. Algunos de los peligros son, a modo de ejemplo:

- ◇ **Corrosión:** no deje este equipo durante períodos prolongados en lugares donde las piezas metálicas puedan sufrir daños por corrosión como consecuencia de los vapores provenientes de materiales orgánicos. Tenga cuidado al trabajar cerca de aguas residuales o fertilizantes debido a su alta concentración de amoníaco, que es muy corrosivo. El uso cerca del agua del mar o en otros entornos corrosivos puede requerir inspecciones o reparaciones con mayor frecuencia para garantizar que la corrosión no afecte al funcionamiento del producto.
- ◇ **Riesgos químicos:** las soluciones que contengan ácidos, álcalis u otros productos químicos cáusticos, sobre todo a temperaturas elevadas, pueden provocar daños en los SRL DBI/SALA. Cuando se trabaje con tales sustancias químicas, realice inspecciones frecuentes del SRL completo. Es difícil detectar el daño que producen las sustancias químicas al cabo salvavidas, así que recomendamos reemplazarlo periódicamente para garantizar que esté en buenas condiciones. El cabo salvavidas sólo puede reemplazarlo un centro de servicio técnico autorizado.
- ◇ **Calor:** este equipo no está diseñado para usarse en ambientes de alta temperatura. Proteja este equipo cuando se vaya a usar en lugares donde se cortan metales, se estén realizando soldaduras o se lleven a cabo actividades similares. Las chispas calientes pueden quemar o dañar este equipo.
 - **Nota:** los cabos salvavidas de material sintético no son incombustibles y no deben exponerse a condiciones extremas de calor. No use los siguientes modelos en entornos o superficies de contacto por encima de las temperaturas específicas dadas:
 - Cabo Spectra a 60 °C
 - Cabo Vectran a 120 °C
- ◇ **Electricidad:** debido a la posibilidad de que fluya corriente eléctrica a través de los cabos salvavidas de cable metálico, tenga precaución especial al trabajar cerca de líneas eléctricas de alta tensión.

Póngase en contacto con Capital Safety si tiene alguna duda sobre el uso de este equipo en zonas con riesgos ambientales o físicos.

IMPORTANTE: consulte las normas aplicables que rigen el funcionamiento de este equipo para obtener más información sobre los sistemas de protección contra caídas y de sujeción, y los componentes asociados a los sistemas.

- **COMPATIBILIDAD DE LOS COMPONENTES:** este equipo se ha concebido para uso exclusivo con componentes y subsistemas aprobados de Capital Safety. Consulte también la sección 1.12 de las IGUM.
- **COMPATIBILIDAD DE LOS CONECTORES Y REALIZACIÓN DE CONEXIONES:** los conectores (ganchos, mosquetones, argollas en forma de D) deben ser capaces de soportar al menos 22 kN. Los conectores deben ser compatibles con el anclaje o con los demás componentes del sistema y cumplir con las normativas EN362. Consulte la

figura 9: A-Anclaje; B-Conector; C-Conector del anclaje, D-Abrazadera de montaje; E-Pata del trípode. Consulte también la sección 5 y las figuras de las IGUM para EN362.

- **RESISTENCIA DEL ANCLAJE:** la resistencia del anclaje que se precisa depende del tipo de aplicación. Los anclajes deben cumplir los requisitos de la norma EN795. Consulte también la sección 12 de las IGUM.
- **SISTEMA HORIZONTAL:** en las aplicaciones donde se utiliza un SRL junto con un sistema horizontal (por ejemplo, vigas L horizontales, carros), el SRL y los componentes del sistema horizontal deben ser compatibles. El diseño y la instalación de los sistemas horizontales deben realizarse con la supervisión de un ingeniero cualificado.
- **SISTEMA DE RECUPERACIÓN OPCIONAL:** cuando use un SRL con un sistema de recuperación opcional, garantice que la estructura de apoyo (p. ej., trípode, brazo pescante) sea compatible con la conexión, funcionamiento, estabilidad y resistencia del SRL. Consulte la figura 10-Montaje opcional del modelo 3400614: A-Tuerca de bloqueo hexagonal, M12 x 1,75, acero galvanizado (Zinc Plated, ZP); B-Perno de cabeza hexagonal, M12 x 1,75 x 25 cm, tuerca métrica clase 8.8, ZP; C-Superficie de montaje; D-use arandelas según sea necesario; E-Arandela, 12 mm, ZP, 5 típicas; F-Perno de cabeza hexagonal, M12 x 1,75 x 8 cm, tuerca métrica clase 8.8, ZP.

3.0 FORMACIÓN

Es responsabilidad de los usuarios de este equipo comprender estas instrucciones y recibir formación sobre la instalación, uso y mantenimiento correctos de este equipo. Este manual del usuario no sustituye a un programa de formación.

IMPORTANTE: lea la sección 1.1 de las IGUM sobre la formación.

4.0 PLANIFICACIÓN

ANTES DE CADA USO: lea la sección 1.1 "Antes de cada uso" de las IGUM e inspeccione con cuidado el SRL para garantizar su buen funcionamiento, siguiendo los pasos indicados en la sección 7.0. Además, haga lo siguiente:

- Garantice que todos los pernos estén en su lugar y bien apretados.
- Extraiga el cabo y permita que se retraiga lentamente. Si se produce alguna vacilación en la retracción, la unidad debería devolverse a Capital Safety para recibir servicio técnico.
- Compruebe la acción de bloqueo tirando bruscamente del cabo.
- No lo utilice si la inspección indica una condición no segura.

IMPORTANTE: lea las secciones 1.3, 1.4, 1.12 de las IGUM cuando planifique su sistema.

PLANIFICACIÓN: planifique el sistema de protección contra caídas antes de comenzar a trabajar. Considere todos los factores que afectarán a su seguridad antes, durante y después de una caída. La siguiente lista ofrece algunos puntos importantes a considerar:

- **ANCLAJE:** seleccione un punto de anclaje rígido (consulte la figura 9). Consulte más sobre la resistencia del anclaje en la sección 2.0. Seleccione con cuidado la ubicación del anclaje para reducir los peligros de caída libre y caída con oscilación. En la sección 2.0 se trata el montaje opcional para sistemas de recuperación.

IMPORTANTE: sólo los SRL que pueden usarse en modo horizontal (indicado por el etiquetado), como el SRL para salientes, pueden anclarse al nivel de los pies o por encima. Consulte la figura 12. Todos los demás SRL deben anclarse por encima de la fijación del arnés de cuerpo completo (indicado por el etiquetado). Consulte la figura 11.

- **CAÍDAS CON OSCILACIÓN:** las caídas con oscilación ocurren cuando el punto de anclaje no se encuentra directamente encima del punto donde se produce la caída. Consulte la figura 13. La fuerza del golpe contra un objeto en una caída con oscilación puede causar lesiones graves. En una caída de este tipo, la distancia total de caída vertical es mayor que si el usuario se hubiera caído directamente debajo del punto de anclaje, incrementando, de ese modo, la distancia total de caída libre y la distancia requerida para detener de manera segura a la persona. El SRL se activará independientemente de su orientación con respecto al usuario. Revise su aplicación específica para determinar cuál debe ser la zona de trabajo adecuada. Trabaje en un lugar situado lo más directamente posible por debajo del punto de anclaje para minimizar la posibilidad de caídas con oscilación. Nunca permita que exista la posibilidad de caídas con oscilación si, al caer, el usuario puede sufrir una lesión. Si existe riesgo de una caída con oscilación en su aplicación, póngase en contacto con Capital Safety antes de proceder.
- **MARGEN DE CAÍDA:** garantice que la cantidad de espacio libre en la trayectoria de una posible caída sea adecuada para evitar golpes contra algún objeto. El margen de caída mínimo es de 4,5 m desde la argolla dorsal en forma de D hasta el siguiente nivel de obstrucción u objeto. Consulte la figura 14. Se requiere un margen de caída adicional si existe la posibilidad de una caída con oscilación.
- **BORDES AFILADOS:** evite trabajar en sitios donde el cabo salvavidas pueda estar en contacto con bordes afilados sin protección o pueda friccionarse contra ellos. Cuando sea posible, proteja el cabo salvavidas. A veces, se puede agregar un componente de amortiguación en línea para proteger aún más al trabajador. En ese caso, se deben considerar la compatibilidad y la distancia total de caída. Comuníquese con Capital Safety antes de utilizar un componente o acolador de amortiguación en línea con un SRL.

IMPORTANTE: pese a que el modelo de SRL para salientes (Modelo 3504500) ofrece protección adicional contra caídas desde salientes, debe ofrecerse protección contra cortes cuando se trabaja extremadamente cerca de bordes afilados, como de acero cizallado, laminado en frío o cortado por soplete. No se requiere protección para bordes en los bordes de acero laminado en caliente, cubiertas de acero, hormigón o madera.

- **RESCATE:** si ocurre una caída, la empresa debe contar con un plan de rescate y ser capaz de ponerlo en práctica.
- **DESPUÉS DE UNA CAÍDA:** el equipo que ha sido sometido a las fuerzas de protección contra caídas debe ser retirado del servicio e inspeccionado. Consulte la sección 7.
- **OTRAS CONSIDERACIONES:** evite trabajar en lugares donde el cabo salvavidas pueda cruzarse o enredarse con el de otro trabajador. No permita que el cabo salvavidas pase por debajo de los brazos o entre las piernas. Nunca pince, anude o de algún modo impida que el cabo salvavidas se retraiga o esté tirante. Evite que la cuerda esté floja. No enrolle el cabo salvavidas alrededor de elementos estructurales pequeños.

IMPORTANTE: *lea y siga las instrucciones del fabricante para los equipos asociados (por ejemplo, arnés de cuerpo completo) utilizados en su sistema personal de protección contra caídas.*

IMPORTANTE: *para versiones especiales (personalizadas) de este producto, siga las instrucciones que se proporcionan en este manual. Consulte el suplemento, si se incluye, para obtener instrucciones adicionales cuando utilice un producto personalizado.*

5.0 MONTAJE E INSTALACIÓN

- **SOPORTE CORPORAL:** cuando utilice los SRL de Capital Safety debe llevar un arnés de cuerpo completo (EN361). Para uso general de protección contra caídas, conecte el equipo a la argolla dorsal en forma de D (espalda) entre los hombros.
 - ◊ **Operaciones de recuperación:** se recomienda la utilización de un arnés de cuerpo completo para recuperar a la víctima, siempre que su estado médico permita dicha recuperación. Hay modelos disponibles con conexiones de recuperación (argollas en forma de D para hombros) en la parte superior de los hombros, para ayudar en las operaciones de rescate.

ADVERTENCIA: *no se permite el uso de cinturones de cuerpo en situaciones de caída libre. Los cinturones de cuerpo aumentan el riesgo de lesiones durante la protección contra caídas, en comparación con los arneses de cuerpo completo. El tiempo de suspensión limitado y la posibilidad de llevar un cinturón de cuerpo de forma incorrecta pueden provocar riesgos adicionales para la salud del usuario. Consulte también la sección 2.0 de las IGUM.*

- **REALIZACIÓN DE CONEXIONES:** cuando fije el equipo con un gancho o mosquetón, asegúrese de que éste no pueda deslizarse. Consulte la sección 2.0, "Compatibilidad de los conectores". Consulte la figura 15. Use un gancho de seguridad con bloqueo o un mosquetón (A) que se cerrará completamente sobre el anclaje (B) o el conector de anclaje (C). Se recomienda conectar el modelo 340614 a una estructura en una posición fija (en lugar de colgante) con las piezas metálicas suministradas. La superficie de montaje debería cumplir

los requisitos de resistencia del anclaje indicados en la sección 2.0, "Resistencia del anclaje". Siga las instrucciones del fabricante suministradas con cada componente del sistema.

6.0 USO

Consulte la figura 16. Conecte el SRL (A) a un anclaje apropiado (B). Conecte el gancho de seguridad con autobloqueo (C), al accesorio de protección contra caídas o ascensión de escaleras (D) en el arnés de cuerpo completo (E). Consulte la figura 17. Compruebe que las conexiones sean compatibles y que el gancho esté completamente cerrado y bloqueado. Una vez conectado, el trabajador tiene libertad de movimiento dentro del área de trabajo recomendada a velocidades normales. El cable salvavidas debería extenderse suavemente y retraerse sin dificultades. El cabo salvavidas debe permanecer tenso en todo momento durante el uso normal. Si el cabo queda flojo cuando se está usando de modo normal, la unidad se debe enviar a Capital Safety para recibir servicio técnico. Si ocurre una caída, el SRL se trabará y detendrá la caída.

ADVERTENCIA: *después de una situación de rescate, retire el SRL del servicio. Consulte la sección 1.2 de las IGUM.*

Inspeccione según se describe en la sección 7.0, "Después de una detención de caída". Cuando trabaje con un SRL, permita siempre que el cabo salvavidas se repliegue en el dispositivo bajo control. Podría requerirse un cabo corto de retención para extender o retraer el cabo salvavidas al conectarlo o desconectarlo. Si se deja el cabo salvavidas completamente extendido durante períodos prolongados, el resorte de retracción podría debilitarse prematuramente.

- **FUNCIONAMIENTO DEL SISTEMA DE RECUPERACIÓN (MODELOS 3400101, 3400102, 3400301, 3400302, 3400501, 3400502):** la figura 17 muestra cómo activar el modo recuperación. Retire el mango de recuperación en la parte trasera del SRL, pulsando el botón de liberación de la parte superior del mango y tirando hacia arriba. Instale el pasador en el orificio del extremo del brazo de recuperación. Gire la unidad de brazo hacia el lado para acceder a la perilla de cambio. Levante el anillo de tracción (en la perilla de cambio), gírelo 1/8 en sentido contrario a las agujas del reloj y suéltelo. Gire el brazo de recuperación en el sentido de las agujas del reloj para ayudar al acoplamiento. **El perno de cambio debería desplazarse hacia el interior y girar hasta una posición de bloqueo cuando la unidad de tracción se acopla por completo.**
 - ◇ **Para elevar:** gire el brazo de recuperación en el sentido contrario a las agujas del reloj.
 - ◇ **Para bajar:** gire el brazo de recuperación en el sentido de las agujas del reloj. Mantenga la tensión en el cabo salvavidas en todo momento (34 kg mínimo).

IMPORTANTE: *se requiere una carga mínima de 34 kg para bajar o desprender el cabo.*

IMPORTANTE: si se produce una caída en el modo de protección contra caídas y se debe bajar al trabajador a un lugar seguro, eleve al trabajador ligeramente para liberar los trinquetes de bloqueo y baje al trabajador.

IMPORTANTE: no siga girando el brazo de recuperación en la dirección de bajada una vez que el cable esté totalmente extendido. Se pueden producir daños en los resortes.

- ◇ **Desacoplamiento del modo recuperación:** retire la carga del cabo salvavidas. Gire 1/8 la perilla de cambio en sentido contrario a las agujas del reloj; el anillo de tracción sale. Gire 1/8 la perilla de cambio en el sentido de las agujas del reloj. Libere el anillo de tracción. Retire el mango de recuperación del brazo de recuperación y guárdelo en el soporte de almacenamiento. Inserte el pasador del mango de recuperación a través del mango y en el soporte de almacenamiento.
- ◇ **Función de sobrecarga de recuperación:** los SRL que incorporan la función de recuperación (como muestra la figura 17) incluyen un embrague de sobrecarga que protege los componentes de la unidad de tracción y a la persona que está siendo elevada de la fuerza excesiva. Esta misma función proporciona absorción de impactos para el usuario si se produce una caída cuando el modo recuperación está acoplado. El embrague de sobrecarga está configurado para deslizarse a aproximadamente 227 kg para permitir aplicaciones de rescate de emergencia cuando se necesita una capacidad de elevación adicional.

IMPORTANTE: la capacidad de funcionamiento de recuperación es de 210 kg.

IMPORTANTE: hacer funcionar el sistema de recuperación con cargas superiores a la capacidad especificada reduce el factor de seguridad general. Cualquier unidad que se haya usado por encima de la capacidad especificada debe retirarse del servicio y devolverse a Capital Safety para su inspección.

- ◇ **Montaje de los modelos de recuperación:** los modelos de recuperación SRL como los que se muestran en las figuras 1 y 2, pueden usarse con soportes adicionales (números de pieza 3401123 y 3401090 de Capital Safety) para el montaje en el trípode, brazo pescante o mástil de escalera de Capital Safety. Siga los pasos a continuación para el montaje y uso de estos soportes.

IMPORTANTE: si el soporte de acoplamiento para la pata del trípode no está fijado, coloque la unidad de placa de sujeción en la ubicación deseada en la pata y apriete los pernos a 20 Nm. No apriete en exceso.

Paso 1. Fije el soporte al SRL introduciendo los dos pernos

provistos a través de los orificios del alojamiento del SRL. Ponga las tuercas y sujételas. Consulte la figura 18.

Paso 2. Una vez que el soporte esté asegurado al SRL, coloque la unidad de soporte del SRL en el soporte de acoplamiento del trípode, brazo pescante o mástil de escalera. La ranura en el extremo del soporte del SRL se desliza sobre el pasador extendiendo cada lado del soporte de acoplamiento. Vuelva a colocar el soporte de la pata del trípode según sea necesario para obtener una altura de funcionamiento adecuada. Consulte la figura 19.

Paso 3. Con la unidad apoyada sobre el pasador, gire la parte superior del SRL hacia dentro para alinear los orificios. Pulse el botón del extremo del pasador de retención y deslice el pasador totalmente para fijar la unidad del SRL al trípode, brazo pescante o mástil de escalera. Consulte la figura 20.

Paso 4. Extienda el cable por encima de la estructura de soporte y sobre las poleas. Vuelva a colocar los pasadores de retención cerca de la polea para evitar que el cable se salga de las poleas. Consulte la figura 21. Las figuras 22 y 23 muestran un acoplamiento completo.

- **FUNCIONAMIENTO DEL SISTEMA DE RECUPERACIÓN (MODELOS 340854 Y 340855) (EN360:2002 Y EN1496:2006 CLASES A, B):** la figura 4 identifica los componentes clave del sistema de recuperación. Para activar el modo recuperación, gire hacia abajo el tornillo de bloqueo (D) completamente para liberar el brazo de manivela (E). Haga girar el mango (A) fuera de la posición almacenada. Para acoplar el cabrestante, tire de la perilla de cambio (C) y manténgala en la posición de desbloqueo. Presione el brazo de manivela (E) en la posición de acoplamiento y libere la perilla de cambio (C). Si resulta necesario, gire el brazo de manivela en el sentido de las agujas del reloj (bajada) para ayudar al acoplamiento del equipo.
 - ◇ **Para elevar:** gire el brazo de manivela en sentido contrario a las agujas del reloj. El dispositivo de elevación de rescate sólo debería utilizarse si resulta posible un proceso de elevación sin obstáculos y no debería usarse si algún obstáculo representa un peligro.
 - ◇ **Para bajar:** primero gire el brazo de manivela en sentido contrario a las agujas del reloj para liberar el freno de detención de caídas, luego gire en el sentido de las agujas del reloj. La función de bajada sólo está prevista para bajar a una persona a una distancia máxima de 2 m.

IMPORTANTE: se requiere una carga mínima de 34 kg para bajar o desprender el cabo. La carga máxima para este dispositivo es de 141 kg. Se requiere una fuerza en el mango de recuperación de hasta 13 kg para operar el cabrestante cuando se carga a la máxima capacidad. Además, debería haber siempre contacto visual directo o indirecto o algún otro medio de comunicación con el rescatado en todo momento durante el proceso de rescate.

PRECAUCIÓN: *deje de girar la manivela cuando el cabo esté totalmente extendido o replegado. Si sigue girando la manivela, puede dañar los componentes.*

- ◇ **Desacoplamiento del modo recuperación:** retire cualquier carga del cabo salvavidas. Tire de la perilla de cambio y manténgala en la posición de desbloqueo. Tire del brazo de manivela hacia afuera hasta la posición desacoplada y libere la perilla de cambio. Asegure el brazo de manivela con el tornillo de bloqueo. Tire hacia afuera del mango de recuperación y gire el mango hasta la posición almacenada.
- ◇ **Función sobrecarga de la recuperación:** los cabrestantes en los modelos SRL (como los que se muestran en la figura 4) no incorporan un embrague de sobrecarga para limitar la fuerza aplicada a los componentes de la unidad de tracción y a la persona que se está elevando. Debe tenerse la precaución de evitar que el cabo se afloje mientras esté en modo de rescate. También debe controlarse al individuo durante la recuperación para garantizar que no se quede atorado ni esté sujeto a una fuerza excesiva como resultado de la elevación continuada.

IMPORTANTE: *hacer funcionar el sistema de recuperación con cargas superiores a la capacidad especificada reduce el factor de seguridad general. Cualquier unidad que se haya usado por encima de la capacidad especificada debe retirarse del servicio y devolverse a Capital Safety para su inspección.*

- ◇ **Montaje de los modelos de recuperación:** Los modelos de recuperación SRL (como los que se muestran en las figuras 3 y 4) pueden usarse con un soporte opcional (modelo 3401025) para el montaje en el trípode, brazo pescante o mástil de escalera de Capital Safety. Siga los pasos que se indica a continuación para el montaje y uso de este soporte.

IMPORTANTE: *si el soporte de acoplamiento para la pata del trípode no está fijado, coloque la unidad de placa de sujeción en la ubicación deseada en la pata y apriete los pernos a 20 Nm. No apriete en exceso.*

- Paso 1.** Quite los tres tornillos empotrados que obstruyen los orificios del lateral del alojamiento del SRL. Consulte la figura 24.
- Paso 2.** Fije el soporte al SRL introduciendo los tres pernos a través de los orificios de la carcasa del SRL. Consulte la figura 25.
- Paso 3.** Una vez que el soporte esté asegurado al SRL, coloque la unidad de soporte del SRL en el soporte de acoplamiento del trípode, brazo pescante o mástil de escalera. La ranura en el extremo del soporte del SRL se desliza sobre el pasador extendiendo cada lado del soporte de acoplamiento de la pata del trípode, el brazo pescante o el mástil de escalera. Vuelva a colocar el soporte de la pata del trípode según sea necesario para obtener una altura de funcionamiento adecuada. Consulte la figura 26.

Paso 4. Con la unidad apoyada sobre el pasador, gire la parte superior del SRL hacia dentro para alinear los orificios. Pulse el botón del extremo del pasador de retención y deslice el pasador totalmente para fijar la unidad del SRL al trípode, brazo pescante o mástil de escalera. Consulte la figura 27.

Paso 5. Extienda el cable por encima de la estructura de soporte y sobre las poleas. Vuelva a colocar los pasadores de retención cerca de la polea para evitar que el cable se salga de las poleas. Consulte la figura 28.

7.0 INSPECCIÓN

La etiqueta RFID del i-Safe™ en los SRL (A) puede usarse junto con el dispositivo de lectura portátil i-Safe y el portal de Internet para simplificar la inspección y el control de inventario, así como para generar registros sobre su equipo de protección contra caídas. Consulte la figura 29.

- **FRECUENCIA:** antes de cada uso, inspeccione el SRL de acuerdo con los pasos de inspección que se ofrecen a continuación. El SRL debe ser inspeccionado por una persona cualificada, que no sea el usuario, por lo menos una vez al año. Si usted es un usuario primerizo, contacte con un representante del servicio de atención al cliente o si ya está registrado, vaya a: www.capitalsafety.com/isafe.html. Siga las instrucciones suministradas con su dispositivo de lectura portátil i-Safe o las que se encuentran en el portal de Internet para transferir los datos a su registro en Internet. Registre los resultados de cada inspección formal en el Historial de reparaciones e inspecciones periódicas de las IGUM (5902392) o utilice el portal de Internet de inspección i-Safe™ para mantener sus registros de inspección. Consulte la sección 4 de las IGUM.

Se puede encontrar un registro de las fechas de servicio técnico anual en las etiquetas del SRL.

- ◇ **Después de una detención de caída:** inspeccione el indicador de impacto de carga y todo el SRL.
- ◇ **Después del uso del modo recuperación:** después de una elevación o bajada, inspeccione el indicador de impacto de carga y todo el SRL. Las aplicaciones que requieran elevaciones y bajadas continuadas pueden requerir un aumento de la inspección y de la frecuencia del servicio de mantenimiento. Contacte con Capital Safety si tiene alguna pregunta respecto a la frecuencia de las inspecciones.

ADVERTENCIA: consulte la sección 1.2 de las IGUM si el SRL se ha sometido a una detención de caída o fuerzas de impacto.

IMPORTANTE: unas condiciones extremas de funcionamiento (condiciones difíciles en el entorno, uso prolongado) pueden requerir que las inspecciones sean más frecuentes.

- **PASOS DE INSPECCIÓN GENERALES:**

Paso 1. Inspeccione para confirmar si hay tornillos o pernos sueltos y partes dobladas o dañadas.

Paso 2. Inspeccione la carcasa para verificar si está deformada o presenta fracturas u otros daños.

Sólo modelos UltraLok: asegúrese de que el cáncamo giratorio no esté dañado ni deformado de algún modo. Asegúrese de que el cáncamo giratorio gire libremente.

Sólo serie SB: asegúrese de que el grillete se mueva libremente y no tenga ninguna pieza distorsionada, rajada, desgastada o con bordes irregulares. Asegúrese de que la tuerca esté totalmente apretada.

Paso 3. Inspeccione el indicador de impacto de carga. Esta inspección depende del tipo de SRL utilizado. Siga las instrucciones detalladas para su tipo de SRL:

- ◇ **SRL estilo cuerda y cable UltraLok:** consulte la figura 30. Inspeccione el indicador de impacto (A). En el "modo normal" (B) debería buscar una banda de color visible (C) en el gancho. Si el gancho está en el "modo indicado" (D), se ha producido una carga de impacto.
 - **Nota:** no trate de restablecer el indicador de impacto. La pieza giratoria no girará libremente en el "modo indicado".
- ◇ **SRL SB:** consulte la figura 31. Compruebe el botón indicador de impacto rojo (A), para comprobar que está al ras con la carcasa. Si el botón no está al ras con la carcasa, se ha utilizado el bloqueo.
- ◇ **SRL estilo tejido UltraLok:** consulte la figura 32. Estos SRL incorporan un indicador de impacto en el cabo salvavidas de tejido (A). El tejido próximo al extremo del gancho (B) del cabo salvavidas está plegado sobre sí mismo e hilvanado con hilo de color rojo, formando un pequeño lazo (C). El lazo se descoserá a aproximadamente 1,6 kN. Si la costura roja está intacta, el SRL no ha sufrido impacto. Si la costura roja se ha roto y el lazo se ha destrozado (D), el SRL ha sufrido el impacto de una carga.
- ◇ **SRL para salientes UltraLok:** consulte la figura 33. Los SRL para salientes 3504500 incorporan un componente de amortiguación integral. Inspeccione el amortiguador para determinar si ha sido activado. No debe haber evidencia de elongación (B). Asegúrese de que la cubierta del amortiguador (A) esté firme y no esté desgarrada ni dañada.

ADVERTENCIA: si la inspección revela una condición defectuosa, retire el SRL del servicio inmediatamente y contacte con un centro de servicio técnico autorizado.

Paso 4. El cabo salvavidas se debe extraer y retraer por completo sin dificultad y sin que el cabo quede flojo. El cabo salvavidas debe estar tenso. Asegúrese de que el dispositivo

se bloquea cuando se tira del cabo salvavidas de manera brusca. El bloqueo debe ser certero y sin deslizamiento.

Paso 5. Las etiquetas deben estar presentes y ser completamente legibles. Consulte el suplemento del modelo.

Paso 6. Revise si la unidad presenta señales de corrosión.

Paso 7. Inspeccione el cabo salvavidas.

◇ **Modelos de cable metálico:** consulte la figura 34. Inspeccione el cabo salvavidas en busca de cortes, dobleces (A), hilos rotos (B), arqueamiento (C), corrosión, salpicaduras de soldadura (D), áreas de contacto con productos químicos o áreas de abrasión grave. Deslice el tope del cable hacia arriba e inspeccione los casquillos para confirmar si presentan rajaduras o daños y examine el cable metálico para verificar si presenta señales de corrosión o tiene hilos rotos.

- **Nota:** sustituya la unidad del cable metálico si hay seis o más hilos rotos distribuidos aleatoriamente en un trenzado, o tres o más hilos rotos en una hebra de un trenzado. Un "trenzado" de un cable metálico es la longitud de cable necesaria para que una hebra (o grupos más grandes de hilos) complete una revolución o vuelta a lo largo del cable. Sustituya la unidad de cable metálico si hay hilos rotos a 25 mm de los casquillos.

◇ **Modelos de cabo sintético o de tejido:** consulte la figura 34. Inspeccione el cabo salvavidas en busca de cualquier zona en que se concentre desgaste, hebras deshilachadas (E), hilos rotos, quemaduras (F), cortes (G) y abrasiones. El cabo salvavidas debe estar libre de nudos en toda su extensión. Examine si está demasiado sucio (H), tiene pintura acumulada y manchas de óxido. Revise si sufrió daños ocasionados por sustancias químicas o calor, que se evidencian en zonas marrones, decoloradas o quebradizas. Examine si presenta daños por radiación ultravioleta, que pueden identificarse con decoloración y la presencia de astillas y esquirlas en la superficie del cabo salvavidas.

- **NOTA:** se sabe que todos los factores anteriores reducen la resistencia del cabo. La resistencia del cabo se reduce proporcionalmente al área interseccional del cabo dañado. Los cabos dañados o dudosos deben reemplazarse.

ADVERTENCIA: no ate ni anude el cabo salvavidas. Evite el contacto del cabo salvavidas con superficies cortantes o abrasivas. Inspeccione el cabo salvavidas con frecuencia para detectar cortes, deshilachados, quemaduras o signos de daño producidos por productos químicos. La suciedad, los contaminantes y el agua pueden reducir las propiedades dieléctricas del cabo salvavidas. Utilice con precaución cerca de líneas eléctricas.

Paso 8. Inspeccione los ganchos de conexión, si los hay, para confirmar si presentan señales de daño, corrosión y comprobar su estado de funcionamiento. La pieza giratoria debe girar libremente.

Paso 9. Inspeccione la salida del cabo salvavidas de reserva, si la hay, para comprobar los indicadores:

- ◇ **Modelos de cabo salvavidas de cable metálico (Excluida la serie SB):** consulte la figura 35: A-Guía del cable; B-Retén del cable; C-Manguito de la guía del cable; D-Tope. Consulte la figura 36: A-Banda roja del cabo salvavidas de reserva. Si se ha detenido una caída cuando la mayor parte del cabo salvavidas estaba fuera, es posible que se haya desplegado el cabo salvavidas de reserva. Para inspeccionar el despliegue del cabo salvavidas de reserva, extraiga el cabo salvavidas del SRL hasta que se detenga. Si el indicador de banda roja está visible, se ha desplegado el cabo salvavidas de reserva. Si el cabo salvavidas de reserva no se ha desplegado, esa parte es aceptable y puede continuar la inspección.
- ◇ **Modelos serie SB:** estos SRL no tienen un cabo salvavidas de reserva.
- ◇ **Modelos de cable salvavidas de tejido UltraLok:** inspeccione la salida del cabo salvavidas de reserva. Si se empleó la mayor parte del cabo salvavidas para detener una caída, puede haberse desplegado el cabo salvavidas de reserva. Extienda toda la unidad SRL hasta el tope. Si la etiqueta del cabo salvavidas de reserva (F) está visible, como muestra la figura 7, el cabo salvavidas de reserva está desplegado y la unidad debe recibir servicio de mantenimiento por parte de un centro de servicio técnico autorizado antes de volver a utilizarse. Si el cabo salvavidas de reserva no se desplegó, continúe con la inspección.
- ◇ **Modelos de cabo salvavidas de material sintético:** inspeccione la salida del cabo salvavidas de reserva. Si se ha detenido una caída, es posible que el cabo salvavidas de reserva se haya desplegado. Para inspeccionar el despliegue del cabo salvavidas de reserva, extraiga el cabo salvavidas del SRL hasta que se detenga. Si la etiqueta de advertencia del cabo salvavidas de reserva (A) está visible, el cabo salvavidas de reserva se ha desplegado. Consulte la figura 37. Si el cabo salvavidas de reserva no se ha desplegado (la etiqueta del cabo salvavidas de reserva no está visible), esa parte es aceptable y la inspección puede continuar.

IMPORTANTE: si los indicadores están visibles, la unidad debe recibir servicio de mantenimiento por un centro de servicio técnico autorizado antes de volver a utilizarse.

Paso 10. Inspeccione cada componente del sistema o cada sistema secundario según las instrucciones del fabricante.

- **PASOS DE LA INSPECCIÓN DE LOS COMPONENTES DE RECUPERACIÓN:** (MODELOS 3400101, 3400102, 3400301, 3400302, 3400501, 3400502) Consulte la figura 2.

Paso 11. Inspeccione el brazo de recuperación (A) para comprobar si está deformado o presenta algún otro daño. El mango de recuperación (B) debe acoplarse al brazo de recuperación

con facilidad y el botón de pulsación debe funcionar libremente.

Paso 12. La perilla de cambio (F) debe girar libremente cuando se acople/desacople. El anillo de tracción (D) en la perilla de cambio debe volver a su posición cuando se libere.

Paso 13. Inspeccione el funcionamiento del modo de recuperación. Para probarlo, eleve y baje un peso de prueba (saco de arena) de entre 34 kg y 141 kg. La operación de recuperación debe ser suave y uniforme. Cuando se libere el mango de recuperación (B), el peso no debería moverse y el mango de recuperación debería permanecer en su sitio (sin moverse). Debería escucharse un sonido de "chasquido" cuando se eleve la carga.

Paso 14. La cubierta del trinquete (H) (consulte la figura 3) debe estar bien ajustada y no tener deformaciones. La abrazadera de montaje opcional debe fijarse firmemente al SRL y estar libre de defectos. El pasador de retención debe funcionar libremente.

- **PASOS DE LA INSPECCIÓN DE LOS COMPONENTES DE RECUPERACIÓN:** (Modelos 340854 y 340855) Consulte la figura 4.

Paso 11. Inspeccione el brazo de recuperación (E) para comprobar si está deformado o presenta algún otro daño. Asegúrese de que el mango de recuperación (A) pueda girarse y ajustarse en la posición de manivela.

Paso 12. Asegúrese de que el tornillo de bloqueo (D) pueda apretarse por completo.

Paso 13. Asegúrese de que la perilla de cambio (C) pueda sacarse hasta la posición de desbloqueo y luego liberarse, bloqueando el brazo de manivela (E) en las posiciones acoplada y desacoplada.

Paso 14. Pruebe el funcionamiento adecuado del modo de recuperación elevando y bajando un peso de prueba de entre 34-141 kg (saco de arena). La operación de recuperación debe ser suave y uniforme. Cuando se libere el mango de recuperación (A), el peso no debería moverse y el mango de recuperación (A) debería permanecer en su sitio (sin moverse). Debería escucharse un sonido de "chasquido" cuando se eleve la carga.

- **PROCEDIMIENTO DE CONDICIÓN DEFECTUOSA:** consulte la sección 1.2 de las IGUM.

IMPORTANTE: sólo Capital Safety o las partes autorizadas por escrito pueden reparar este equipo.

8.0 VIDA ÚTIL DEL PRODUCTO

Siempre que el SRL pase la inspección realizada por una persona cualificada¹, podrá permanecer en servicio. Consulte la sección 4.2 y 1.16 de las IGUM para obtener información sobre la garantía.

9.0 MANTENIMIENTO, ALMACENAMIENTO, TRANSPORTE (Consulte la sección 3 de las IGUM)

• MANTENIMIENTO

- ◇ Coloque el SRL de modo que pueda escurrir el exceso de agua.
- ◇ Limpie las etiquetas cuando sea necesario.
- ◇ Siga las secciones 3.1 y 3.2 de las IGUM. La acumulación excesiva de suciedad, pintura, etc., podría impedir la retracción completa del cabo salvavidas dentro de la carcasa, causando un posible riesgo de caída libre. Sustituya el cabo salvavidas si hay presente suciedad excesiva.
- ◇ No lubrique ninguna pieza.

ADVERTENCIA: *si el cabo salvavidas entra en contacto con ácidos, retírelo del servicio y lávelo con agua y una solución jabonosa suave. Inspeccione la unidad antes de devolverla al servicio.*

- **ALMACENAMIENTO:** consulte la sección 3.3 de las IGUM. Inspeccione a fondo el SRL después de cualquier periodo de almacenamiento prolongado.
- **TRANSPORTE:** consulte la sección 3.4 de las IGUM.

10.0 SERVICIO TÉCNICO

El reemplazo del cabo salvavidas, así como el mantenimiento adicional y los procedimientos de servicio técnico, deben ser realizados por un centro de servicio técnico autorizado. Para ello, Capital Safety debe emitir una autorización y un número de devolución. No desarme el SRL. Consulte la sección 7.0 para conocer la frecuencia de las inspecciones.

11.0 ESPECIFICACIONES Y ETIQUETAS (CONSULTE EL SUPLEMENTO DEL MODELO)

12.0 TERMINOLOGÍA

RESPONSABLE DEL RESCATE: persona o personas, que no sean el sujeto a rescatar, que actúan para realizar un rescate asistido mediante la puesta en marcha de un sistema de rescate.

PERSONA CUALIFICADA: consulte la sección 16 de las IGUM.

¹ Persona cualificada: persona que conoce las recomendaciones y las instrucciones del fabricante, además del componente fabricado por éste, y que puede identificar riesgos existentes y previsibles en la selección, el uso y el mantenimiento adecuados de los sistemas de protección contra caídas.

INSTRUÇÕES ESPECÍFICAS—CORDAS DE SEGURANÇA AUTO-RETRÁCTEIS

Acabou de adquirir um EPP da marca Capital Safety para proporcionar protecção antiqueda a trabalhadores em altura. Gostaríamos de lhe agradecer pela confiança que deposita no nosso equipamento. Para apreciar a segurança e conforto que pretende, por favor guarde e siga todas as instruções. Todos os utilizadores e salvadores (consulte a secção 12 relativa à Terminologia) devem ler este manual antes de utilizarem o produto.

Consulte o 'Glossário' nas "Instruções gerais de utilização e manutenção" (IGUM) para ver a identificação dos elementos numerados numa caixa branca.

1.0 FINALIDADE/DESCRIÇÕES

As cordas de segurança auto-retrácteis (SRL) da Capital Safety são componentes de sistemas de protecção antiqueda pessoais (PFAS). Estes sistemas incluem, tipicamente, um arnês de corpo inteiro, um conector de ancoragem (por ex., o mosquetão) e a SRL. Para utilização em situações em que é necessária a mobilidade e protecção antiqueda do trabalhador (trabalhos de inspecção, construção geral, trabalhos de manutenção, produção petrolífera, espaços de trabalho confinados, etc.).

Certos modelos dispõem de uma opção de resgate*. Esses modelos estão equipados com capacidades padrão de protecção antiqueda, quando forem utilizados no seu modo de não-resgate. No modo de resgate, esses modelos podem ser utilizados para salvamentos de emergência (em subidas ou descidas) de trabalhadores, dentro do intervalo de capacidade abaixo indicado. Também é possível utilizar os modelos de resgate para erguer e descer materiais, dentro do intervalo de capacidade indicado.

- **SRLS ESTANQUES:** As SRLs estanques da Capital Safety incorporam uma tecnologia patenteada estanque mediante a qual todos os componentes dinâmicos estão separados de elementos externos, tais como lubrificante, humidade e sujidades, para um funcionamento seguro sob todas as condições de trabalho. Ver a figura 1: A-Pega da ancoragem, B-Etiqueta de instruções, C-Invólucro, D-Etiqueta indicadora de impacto, E-Etiqueta de identificação, F-Guia do cabo, G-Corda de segurança, H-Amortecedor, I-Braçadeira, J-Mosquetão de bloqueio automático.
- ♦ **SRLs estanques com funcionalidade de resgate:** Ver a figura 2: A-Braço de resgate, B-Pega de resgate, C-Gancho da pega de acondicionamento, D-Anilha, E-Etiqueta de funcionamento, F-Alavanca, G-Etiqueta de resgate, H-Cobertura das linguetas, I-Etiqueta do limitador de torque.
- **SRLS SEALED-BLOK™:** Incluem um invólucro de alumínio forjado e placas terminais em aço inoxidável ou alumínio de elevado calibre, travão anti-catraca, pega de transporte embutida (facilita o transporte e fornece um ponto de fixação secundário para a "protecção contra objectos em queda"), uma ampla pega de ancoragem pivotante e um mosquetão giratório de bloqueio automático com indicador de impacto. Ver Figure 3: A-Pega de ancoragem, B-Invólucro, C-Etiqueta de instruções, D-Guia do cabo, E-Etiqueta de identificação, F-Corda de segurança, G-Amortecedor, H-Etiqueta de RFID; I-Mosquetão de bloqueio automático.
- ♦ **SRLs Sealed-Blok™ com sistema de Resgate:** Ver a figura 4: A-Pega de resgate, B-Etiqueta de resgate, C-Alavanca, D-Parafuso de bloqueio, E-Braço de resgate (braço da manivela), F-Etiqueta de funcionamento do elemento elevatório, G-Etiqueta de RFID.

IMPORTANTE: *O equipamento de resgate poderá não ser adequado em aplicações que requeiram uma utilização frequente ou contínua enquanto elemento elevatório de materiais. Consulte a Capital Safety antes de usar este produto em tais aplicações. Os modelos de resgate não foram concebidos para serem utilizados em questões gerais de posicionamento de trabalho ou aplicações de deslocação individual.*

- **SRLS ULTRA-LOK® :** As SRLs Ultra-Lok® da Capital Safety estão equipadas com um invólucro de vidro em poliuretano de longa duração, cordas de segurança com cabo de arame ou cordame, e placas laterais em alumínio para uma duração máxima e peso mínimo. Os sistemas dispõem de sistema de travão com dois discos anti-catraca e um indicador sonoro para que saiba que está a funcionar correctamente.
- ◇ **SRLs ULTRA-LOK® COM CABO DE ARAME OU SINTÉTICO:**
Incluem um ponto de fixação e ancoragem com olhal giratório, um mosquetão giratório de bloqueio automático com indicador de impacto e uma gama à escolha de cordas de segurança com cabos de arame em aço galvanizado ou inoxidável, ou cabos sintéticos. As cordas de segurança com cabos de arame estão disponíveis nos seguintes comprimentos: 6,1, 9,1, 15,2 e 25,9 m. As cordas de segurança com cabos sintéticos estão disponíveis nos seguintes comprimentos: 6,1, 10,7 e 16,8 m. Ver Figura 5: A-Olhal giratório; B-Etiqueta de inspecção, C-Etiqueta de advertência, D-Etiqueta Ultra-Lok, E-Etiqueta de identificação, F-Etiqueta de ligações; G-Cabo de arame ou sintético; H-Amortecedor; I-Etiqueta de RFID; J-Etiqueta de RFID; K-Mosquetão de bloqueio automático.
- ◇ **SRLs LEADING EDGE:** Incluem um ponto de fixação e ancoragem com olhal giratório, um mosquetão giratório de bloqueio automático com indicador de impacto, um conjunto integral de protecção contra o choque e uma corda de segurança com cabo de arame de aço galvanizado de 9,1 m de comprimento. Ver Figura 6: A-Olhal giratório; B-Etiqueta de inspecção, C-Etiqueta de advertência, D-Etiqueta Ultra-Lok, E-Etiqueta de ligações F-Cabo de arame; G-Etiqueta de RFID; H-Amortecedor de choque; I-Mosquetão de bloqueio automático.
 - **Nota:** A SRL do modelo 3504500 da Capital Safety foi concebida para ser utilizada em aplicações cujas quedas possam ocorrer em extremidades, tais como telhados, construção de beirais, etc. Este modelo é particularmente adequado para utilização com um sistema antiqueda, utilizando os conectores de ancoragem da Capital Safety, concebidos para trabalhos em beirais. Recomendamos a amarração giratória de betão para telhados 2105503.
- ◇ **SRLs ULTRA-LOK® DO TIPO CORDAME:** Incluem um ponto de fixação e ancoragem com olhal giratório, um mosquetão de bloqueio automático e cordas de segurança do tipo cordame em nylon com 2,54 cm de diâmetro em tamanhos de 3,4 e 6,1 m. Ver Figura 7: A-Olhal giratório; Etiquetas: B-Advertência, C-Identificação, D-Indicador de impacto, E-Ligações F-Cordas de segurança inversas; G-Etiqueta de RFID; H-Cordas de segurança do tipo cordame; I-Bolsa de indicador; I-Gancho de ligação.
- **SRLS DE SÉRIE SB:** Incluem um invólucro em alumínio forjado com reforço, sistema de travões de disco anti-catraca, manilha de ancoragem em aço pivotante de elevada resistência, retenção da corda de segurança de reserva e um mosquetão giratório de bloqueio automático

com indicador de impacto. Ver Figura 8: A-Manilha; B-Indicador de impacto, C-Etiqueta SALA, D-Etiqueta do indicador de impacto, E-Etiqueta de advertência, F-Etiqueta de especificações, G-Etiqueta de instrução (lado esquerdo), H-Etiqueta de identificação Identificação, I-Etiqueta de instrução (lado direito); J-Cabo de arame; K-Etiqueta de RFID; L-Terminais de cabos em forma de lágrima; M-Mosquetão giratório de bloqueio automático; N-Opções do gancho.

IMPORTANTE: Consulte as secções 1.1 e 1.3 das IGUM antes de utilizar este equipamento.

IMPORTANTE: antes de usar este equipamento, registre a informação de identificação do produto constante na etiqueta de identificação (1), na folha de identificação do equipamento no final destas IGUM.

2.0 REQUISITOS: a instalação e utilização deste equipamento encontra-se restrita pelas seguintes limitações:

- **CAPACIDADE:** uma pessoa. Em nenhuma situação deverá estar amarrada mais de uma pessoa a uma única SRL em qualquer aplicação antiqueda. As aplicações de resgate podem diferir de modelo a modelo. Consulte suplemento do modelo para mais informações.
- **VELOCIDADE DE TRAVAGEM:** situações que não permitam um caminho de queda desobstruído deverão ser evitadas. Os exemplos incluem: trabalho em espaços confinados ou apertados, em materiais de deslocação lenta (tais como areia ou grãos) ou trabalho em telhados de reduzida inclinação, nos quais o trabalhador possa escorregar ao invés de cair. Estas situações poderão não permitir que o corpo alcance velocidade suficiente para provocar a travagem da SRL em caso de queda. Um caminho desimpedido é necessário para assegurar a travagem positiva da SRL.
- **RISCOS AMBIENTAIS E FÍSICOS:** a utilização deste equipamento em áreas onde existam riscos ambientais pode exigir precauções suplementares para reduzir a possibilidade de lesões para o utilizador ou de danos no equipamento. Os perigos podem incluir, mas não se encontram limitados a:
 - ◇ **Corrosão:** Não deixe este equipamento em ambientes nos quais possa ocorrer corrosão de peças metálicas, como resultado de vapores de materiais orgânicos. Devem ser tomadas precauções ao trabalhar-se em redor de esgotos ou adubos devido à sua elevada concentração de amónio, composto muito corrosivo. A utilização perto de água do mar ou outros ambientes corrosivos poderá requerer que se efectuem inspecções ou assistência com maior periodicidade, de forma a assegurar que os danos por corrosão não afectam o desempenho do produto.
 - ◇ **Químicos:** Soluções que contenham ácidos, alcalinos ou outros químicos cáusticos, em particular em temperaturas elevadas que possam causar danos nas SRLs DBISALA. Quando trabalhar na presença destes produtos químicos, deverá efectuar frequentemente uma inspecção de toda a SRL. Será difícil detectar danos causados por produtos químicos na corda de segurança, recomendando-se a sua substituição periódica para assegurar o nível de segurança. A corda de segurança só poderá ser substituída por um centro de assistência técnica autorizado.

- ◇ **Calor:** Este equipamento não foi concebido para ser utilizado em ambientes com temperaturas altas. Proteja este equipamento quando o utilizar perto de actividades de soldagem, corte de metal ou actividades semelhantes. Faíscas quentes podem queimar ou danificar este equipamento.
 - **Nota:** as cordas de segurança com cabo sintético não são resistentes às chamas e não devem ser expostas a calor extremo. Não as utilize em ambientes ou superfícies de contacto acima de temperaturas específicas dadas:
 - Corda de spectra até 60°C
 - Corda de vectran até 120°C
- ◇ **Electricidade:** Devido a possibilidade de a corrente eléctrica passar pela corda de segurança com cabo de arame, seja extremamente prudente ao trabalhar perto de linhas de alta tensão.

Contacte a Capital Safety se tiver perguntas sobre a utilização deste equipamento em situações nas quais existam riscos físicos ou ambientais.

IMPORTANTE: Consulte as normas aplicáveis deste equipamento para mais informações relativas a sistemas de protecção individual antiqueda ou sistemas de fixação e componentes do sistema associados

- **COMPATIBILIDADE DOS COMPONENTES:** este equipamento foi concebido para ser usado somente com componentes e subsistemas aprovados pela Capital Safety. Consulte ainda a secção 1.12 das IGUM.
- **COMPATIBILIDADE DOS CONECTORES E ESTABELECEER LIGAÇÕES:** Os conectores (ganchos, mosquetões, argolas em D) deverão ser capazes de suportar pelo menos 22 kN. Os conectores deverão ser compatíveis com a ancoragem e outros componentes do sistema e cumprir com as normas EN362. Ver a figura 9: A-Ancoragem; B-Conector; C-Conector de ancoragem, D-Gancho de montagem; E-Perna do tripé. Consulte ainda a Secção 5 das IGUM e as figuras para EN362.
- **FORÇA DE ANCORAGEM:** A força de ancoragem necessária depende do tipo de aplicação. Os dispositivos de ancoragem devem cumprir os requisitos da EN795. Consulte ainda a secção 12 das IGUM.
- **SISTEMA HORIZONTAL:** Em aplicações nas quais uma SRL seja utilizada conjuntamente com um sistema horizontal (por ex., barras em I horizontais e carrinhos), a SRL e os componentes do sistema horizontal devem ser compatíveis. Os sistemas horizontais deverão ser concebidos e instalados sob a supervisão de um engenheiro qualificado.
- **SISTEMA OPCIONAL DE RESGATE:** Quando utilizar uma SRL com um sistema opcional de resgate, assegure-se de que a estrutura do suporte (por ex., tripé, braço elevatório) é compatível com a ligação, funcionamento, estabilidade e força da SRL. Ver a figura 10-Montagem opcional para o Modelo 3400614: A-Porca de bloqueio hexagonal, M12 x 1,75, laminada zincada (ZP); B-Cabeça do parafuso hexagonal, M12 x 1,75 x 25 cm, Porca de classe métrica 8.8, ZP; C-Superfície de montagem; D-utilizar as anilhas conforme requerido; E-Anilha, 12 mm, ZP, 5 típico; F-Cabeça do parafuso hexagonal, M12 x 1,75 x 8 cm, Porca

de classe métrica 8.8, ZP.

3.0 FORMAÇÃO

É da responsabilidade dos utilizadores do equipamento compreenderem as presentes instruções e receberem formação a respeito da correcta instalação, uso e manutenção deste equipamento. Este manual de utilizador não é um substituto de um programa de formação.

IMPORTANTE: *Leia a Secção 1.1 das IGUM relativa à formação.*

4.0 PLANEAMENTO

ANTES DE CADA UTILIZAÇÃO: leia a secção 1.1 “Antes de cada utilização” das IGUM e inspecione cuidadosamente a SRL para se certificar de que se encontra na devida condição de trabalho, seguindo as etapas descritas na secção 7.0. Além disso, faça o seguinte:

- Certifique-se da presença e segurança de todos os parafusos.
- Puxe a corda na totalidade de forma a permitir uma retracção lenta. Se se verificar qualquer hesitação durante a retracção, a unidade deve ser devolvida à Capital Safety para fins de assistência.
- Verifique a acção de travagem, puxando bruscamente a corda.
- Não utilize o equipamento se a inspecção revelar uma condição insegura.

IMPORTANTE: *Leia as Secções 1.3, 1.4, 1.12 das IGUM ao planear o seu sistema.*

PLANEAR: Planeie o seu sistema antequeda antes de iniciar o trabalho. Considere os factores que possam afectar a sua segurança antes, durante e após uma queda. A lista que se segue enumera alguns pontos importantes que deverá considerar:

- **ANCORAGEM:** Selecciono um ponto de ancoragem rígido (ver a figura 9). Consulte mais informações relativas à força de ancoragem na Secção 2.0. Selecciono cuidadosamente a localização de ancoragem para reduzir riscos de quedas livres e de quedas por oscilação. A montagem opcional de sistemas de resgate é abordada na Secção 2.0.

IMPORTANTE: *Apenas as SRLs que possam ser utilizadas num modo horizontal (indicado na etiqueta), tais como a SRL Leading Edge, poderão ter amarrações ao nível dos pés ou superior. Ver a figura 12. Todas as demais SRLs deverão ser ancoradas acima da fixação do arnês de corpo inteiro (indicado na etiqueta). Ver a figura 11.*

- **QUEDAS POR OSCILAÇÃO:** As quedas por oscilação ocorrem quando o ponto de ancoragem não se encontra directamente acima do ponto no qual ocorre uma queda. Ver a figura 13. As forças de impacto num objecto durante uma queda por oscilação podem provocar lesões graves. Numa situação de queda por oscilação, a distância total vertical será superior à de uma queda directa abaixo do ponto de ancoragem, aumentando assim a distância total da queda e a distância necessária para travar a queda com segurança. A SRL será activada, independentemente da sua orientação relativamente ao utilizador. Reveja a aplicação específica para determinar qual seria a zona de trabalho adequada. As quedas por oscilação poderão ser minimizadas

se se trabalhar o mais directamente abaixo do ponto de ancoragem quanto possível. Não permita uma queda por oscilação se existir a possibilidade de ferimento. Se existir risco de queda por oscilação na sua aplicação, contacte a Capital Safety antes de avançar.

- **DISTÂNCIA DE DESIMPEDIMENTO:** Assegure-se de que existe um espaço adequado no seu caminho de queda para evitar o impacto com um objecto. O espaço mínimo é de 4,5 m entre o nível da argola dorsal em D e o nível seguinte de obstrução ou objecto. Ver a figura 14. Requer-se um espaço de desimpedimento adicional em caso de possibilidade de queda por oscilação.
- **BEIRAIS AFIADOS:** evite trabalhar em locais nos quais as cordas de segurança estejam em contacto com, ou sejam friccionadas contra, beirais afiados e não protegidos. Proteja as cordas de segurança sempre que possível. Pode por vezes acrescentar-se componentes de absorção de energia de forma alinhada para protecção adicional do trabalhador. A compatibilidade e questões relacionadas com a distância total da queda deverão ser consideradas, se for esta a escolha. Contacte a Capital Safety antes de utilizar um componente ou cabo de segurança com absorção de energia alinhado com uma SRL.

IMPORTANTE: Embora a SRL Leading Edge (Modelo 3504500) proporcione uma protecção adicional contra quedas em beirais, deve ser implementada uma protecção contra cortes quando se trabalhar perto de beirais extremamente afiados, tal como aço cortado por chama, enrolado a frio ou laminado. A protecção dos beirais não é necessária em beirais de aço enrolado a quente, coberturas de aço, betão ou madeira.

- **SALVAMENTO:** Em caso de queda, o empregador deverá dispor de um plano de salvamento e da capacidade de implementar um salvamento.
- **APÓS A QUEDA:** Se este equipamento tiver sido sujeito a forças de travagem de quedas, deverá ser retirado de serviço e submetido a inspecção. Consulte a secção 7.
- **OUTRAS CONSIDERAÇÕES:** evite trabalhar em locais nos quais a sua corda de segurança possa cruzar-se ou entrelaçar-se com a de outro trabalhador. Não permita que a corda de segurança passe sob os braços ou entre as pernas. Nunca prenda, ate ou de qualquer forma peça que a corda de segurança se retraia nem peça que fique esticada sob tensão. Evite folgas na corda. Não enrole a corda de segurança à volta de membros estruturais pequenos.

IMPORTANTE: Leia e siga as instruções do fabricante para o equipamento associado (i.e. arnês de corpo inteiro) utilizado no seu sistema de protecção antiqueda pessoal.

IMPORTANTE: Para versões especiais (personalizadas) deste produto, siga as instruções fornecidas neste manual. Consulte o suplemento, se incluído, para instruções adicionais ao utilizar um produto personalizado.

5.0 MONTAGEM E INSTALAÇÃO

- **APOIO CORPORAL:** Deve usar-se um arnês de corpo inteiro (EN361) ao utilizarem-se SRLs da Capital Safety. Para utilização genérica de

protecção antiqueda, efectue a amarração na argola em D localizada nas costas, entre os ombros.

- ♦ **Operações de resgate:** Recomenda-se a utilização de um arnês de corpo inteiro no resgate de um socorrido, se a sua condição médica o permitir. Os modelos estão disponíveis com conexões de resgate (argolas em D) nos ombros de modo a facilitar as operações de salvamento.

ADVERTÊNCIA: cintos corporais não são permitidos em situações de queda livre. Estes aumentam o risco de lesões durante a travagem da queda quando comparados com um arnês de corpo inteiro. O tempo de suspensão limitado e o potencial para que se use um cinto corporal de forma inadequada poderá resultar em perigo acrescido para a saúde do utilizador. Consultar também a Secção 2.0 das IGUM

- **ESTABELECEMOS LIGAÇÕES:** Ao utilizar um gancho ou mosquetão para estabelecer uma ligação, certifique-se de que não ocorra a possibilidade de deslize. Consulte a Secção 2.0, "Compatibilidade dos Conectores". Ver figura 15. Use um gancho ou mosquetão de bloqueio (A) que se feche completamente sobre a ancoragem (B) ou um conector de ancoragem (C). Recomenda-se que se ligue o Modelo 340614 a uma estrutura numa posição fixa (ao invés de suspensa) com o equipamento fornecido. A superfície de montagem deve cumprir os requisitos de resistência de ancoragem indicados na Secção 2.0, "Resistência de Ancoragem". Siga as instruções do fabricante fornecidas com cada componente de sistema.

6.0 UTILIZAÇÃO

Ver a figura 16. Ligue a SRL (A) a uma ancoragem adequada (B). Ligue o mosquetão de auto-bloqueio (C) à amarração antiqueda ou para subida de escadas (D) situada no arnês de corpo inteiro (E). Ver a figura 17. Certifique-se de que as conexões são compatíveis e de que o mosquetão está totalmente fechado e bloqueado. Logo que se encontre ancorado, o trabalhador é livre de se movimentar dentro da área de trabalho recomendada e à velocidade normal. A corda de segurança deve esticar-se sem solavancos e encolher sem hesitação. A corda de segurança deve permanecer sempre esticada durante uma utilização normal. Se a corda criar uma condição de folga durante a utilização normal, a unidade deverá ser devolvida à Capital Safety para manutenção. Em caso de queda, a SRL irá bloquear e travá-la.

AVISO: Após o salvamento não continue a utilizar a SRL. Consulte a Secção 2.0 das IGUM.

Inspeccione de acordo com o descrito na Secção 7.0, "Bloqueio Após Queda". Quando trabalhar com uma SRL, permita sempre que a corda de segurança seja recolhida pelo dispositivo sob controlo. Pode ser necessário um pequeno cabo de apoio para esticar ou recolher a corda durante a conexão ou desconexão. Permitir que a corda de segurança esteja totalmente esticada durante longos períodos de tempo pode causar o enfraquecimento prematuro da mola de retracção.

- **FUNIONAMENTO DO SISTEMA DE RESGATE (Modelos 3400101, 3400102, 3400301, 3400302, 3400501, 3400502):** A figura 17 mostra como activar o modo de resgate. Retire a pega de resgate da parte posterior da SRL empurrando o botão de soltar situado no topo da

pega e puxando-o para cima. Instale o pino no orifício situado na extremidade do braço de resgate. Rode a estrutura do braço para o lado de modo a aceder à alavanca levante a anilha (da alavanca) e rode-a 1/8 no sentido inverso ao dos ponteiros do relógio antes de a libertar. Rode o braço de resgate no sentido inverso ao dos ponteiros do relógio para ajudar a enganchar. **A alavanca deverá mover-se para dentro e rodar até encontrar uma posição de bloqueio, quando a unidade estiver totalmente engançada.**

- ◇ **Para Elevar:** Rode o braço de resgate no sentido inverso ao dos ponteiros do relógio.
- ◇ **Para Baixar:** Rode o braço de resgate no sentido dos ponteiros do relógio. Mantenha sempre a corda de segurança esticada sob tensão (mínimo 34 kg).

IMPORTANTE: *É necessária uma carga mínima de 34 kg para baixar ou para soltar a corda.*

IMPORTANTE: *Se acontecer uma queda no modo de protecção antiqueda e for necessário baixar o trabalhador em segurança, suba-o ligeiramente para libertar as linguetas de bloqueio e baixar o trabalhador.*

IMPORTANTE: *Não continue a rodar o braço de resgate na direcção descendente depois de o cabo estar totalmente esticado. Pode originar estragos na mola.*

- ◇ **Desenganchar o modo de resgate:** Retire a carga da corda de segurança. Rode a manivela 1/8 no sentido inverso ao dos ponteiros do relógio, puxe a anilha e rode a alavanca 1/8 no sentido dos ponteiros do relógio. Solte a anilha. Retire a pega de resgate do braço de recuperação e guarde-a no gancho de arrumação. Insira o pino da pega de resgate na mesma, de encontro ao gancho de arrumação.
- ◇ **Funcionalidade de resgate de sobrecarga:** As SRLs que incorporam a funcionalidade de resgate (como indicado na figura 17) são fornecidas com um engate de sobrecarga que protege as componentes da unidade e a pessoa elevada contra força excessiva. Esta funcionalidade proporciona a absorção de choque se ocorrer uma queda enquanto o modo de resgate está activado. O engate de sobrecarga está definido para descair aproximadamente aos 227 kg. de modo a permitir o salvamento de emergência quando for necessária uma capacidade de elevação adicional.

IMPORTANTE: A capacidade para operação de resgate é de 210 kg.

IMPORTANTE: *Operar o sistema de resgate com cargas superiores à capacidade especificada reduz o factor de segurança global. Qualquer unidade que tenha sido utilizada acima da capacidade especificada deverá ser retirada do serviço e devolvida à Capital Safety para inspecção.*

- ◇ **Montagem de modelos de resgate:** Os modelos de SRL para resgate indicados nas figuras 1 e 2 podem ser utilizados com ganchos opcionais (peças Capital Safety números 3401123 e 3401090) para montagem no tripé, braço elevatório ou poste de escada Capital Safety. Siga os passos abaixo indicados para montar e utilizar estes ganchos.

IMPORTANTE: *Se o gancho relativo à perna do tripé não estiver conectado, posicione a estrutura da placa de ligação no local desejado da perna e aperte os parafusos a 20 Nm. Não aperte em demasia.*

- Passo 1.** Encaixe o gancho na SRL inserindo os dois parafusos fornecidos nos orifícios do invólucro da SRL. Coloque e aperte as porcas. Ver a figura 18.
- Passo 2.** Depois de encaixar o gancho na SRL, posicione a estrutura de ganchos da SRL no respectivo gancho correspondente do tripé, braço elevatório ou poste de escada. A ranhura na extremidade do gancho da SRL desliza pelo pino, prolongando cada ponta do gancho correspondente. Reposicione o gancho da perna do tripé para obter a altura de funcionamento apropriada. Ver a figura 19.
- Passo 3.** Com a montagem assente no pino, gire o topo da SRL para dentro, de forma a alinhar os orifícios. Pressione o botão no extremo do pino detentor e deslize-o completamente de modo a fixar a montagem da SRL ao tripé, braço elevatório ou poste de escada. Ver a figura 20.
- Passo 4.** Estique o cabo pela estrutura de apoio e roldanas superiores. Reinstale os pinos detentores perto da roldana de modo a prevenir que o cabo deslize para fora das roldanas. Ver a figura 21. As figuras 22 e 23 mostram o encaixe completo.

- **FUNCIONAMENTO DO SISTEMA DE RESGATE** (*Modelos 340854 e 340855*) (*EN360:2002 e EN1496:2006 Classes A, B*): mudança 4 identifica os componentes principais do sistema de resgate. Para activar o modo de resgate, rode o parafuso de bloqueio (D) para baixo na totalidade, de modo a libertar o braço da manivela (E). Gire a pega (A) de forma a retirá-la da posição de arrumação. Para encaixar o guincho, puxe e mantenha a alavanca (C) na posição desbloqueada. Empurre o braço da manivela (E) para a posição de encaixe e liberte a alavanca (C). Se necessário, rode o braço da manivela no sentido dos ponteiros do relógio (ao baixar) para facilitar o encaixe da mudança.
 - ◇ **Para Elevar:** Rode o braço da manivela no sentido inverso ao dos ponteiros do relógio. O dispositivo de elevação de salvamento será apenas utilizado se for possível um processo de elevação sem obstáculos e não será utilizado se existirem obstáculos que apresentem perigo.
 - ◇ **Para Baixar:** Primeiro, gire o braço da manivela no sentido inverso ao dos ponteiros do relógio para soltar o travão antiqueda, e em seguida, gire-o no sentido dos ponteiros do relógio. A função de descer visa apenas descer uma pessoa pela distância máxima de 2m.

IMPORTANTE: É necessária uma carga mínima de 34 kg para baixar ou para soltar a corda. A carga máxima para este dispositivo é de 141KG. É necessária uma força de até 13 kg na pega de resgate para fazer funcionar o guincho quando estiver a suportar a capacidade máxima. Além disso, deve haver sempre contacto visual directo ou indirecto ou qualquer outro modo de comunicação com o socorrido durante o processo de salvamento.

CUIDADO: Pare de girar quando a corda estiver totalmente esticada ou encolhida. Continuar a girar poderá danificar os componentes.

- ◇ **Desenganchar o modo de resgate:** Retire a carga da corda de segurança. Puxe e mantenha a alavanca na posição desbloqueada. Puxe o braço da manivela para a posição de desenganche e liberte a alavanca. Fixe o braço da manivela com o parafuso de bloqueio. Puxe a pega de resgate e rode-a para a posição de arrumação.
- ◇ **Funcionalidade de recuperação de sobrecarga:** Os guinchos nos modelos SRL (como indicado na figura 4) não incorporam um engate de sobrecarga que limite a força aplicada aos componentes da unidade e à pessoa elevada. Devem ser tomadas precauções de modo a evitar a folga na corda quando em modo de salvamento. Além disso, o indivíduo deve ser controlado durante a recuperação para garantir que não fica preso e sujeito a força excessiva devido à elevação continuada.

IMPORTANTE: Operar o sistema de recuperação com cargas superiores à capacidade especificada reduz o factor de segurança. Qualquer unidade que tenha sido utilizada acima da capacidade especificada deverá ser retirada do serviço e devolvida à Capital Safety para inspecção.

- ◇ **Montagem de modelos de resgate:** Os modelos de resgate de SRL (como os indicados nas figuras 3 e 4) podem ser utilizados com um gancho opcional (Modelo 3401025) para montagem no tripé, braço elevatório ou poste de escada Capital Safety. Siga os passos abaixo para montar e utilizar estes ganchos.

IMPORTANTE: Se o gancho relativo à perna do tripé não estiver associado, posicione a montagem de base no local desejado da perna e aperte os parafusos a 20 Nm. Não aperte demasiado.

- Passo 1.** Retire os três parafusos de fixação que tapam os orifícios laterais do invólucro da SRL. Ver a figura 24
- Passo 2.** Encaixe o gancho na SRL inserindo os três parafusos nos orifícios do invólucro da SRL. Ver a figura 25
- Passo 3.** Depois de encaixar o gancho na SRL, posicione a estrutura de ganchos da SRL no respectivo gancho correspondente do tripé, braço elevatório ou poste de escada. A ranhura na extremidade do gancho da SRL desliza de encontro ao pino, prolongando cada ponta do poste de escada, braço elevatório ou gancho da perna do tripé correspondentes. Reposicione o gancho da perna do tripé para obter a altura de funcionamento apropriada. Ver a figura 26.

Passo 4. Com a montagem assente no pino, gire o topo da SRL para dentro, de forma a alinhar os orifícios. Pressione o botão no extremo do pino detentor e deslize-o completamente de modo a fixar a montagem da SRL ao tripé, braço elevatório ou poste de escada. Ver a figura 27.

Passo 5. Estique o cabo pela estrutura de apoio e roldanas superiores. Reinstale os pinos detentores perto da roldana de modo a prevenir que o cabo deslize para fora das roldanas. Ver a figura 28.

7.0 INSPECÇÃO

A etiqueta RFID i-Safe™ pode ser utilizada conjuntamente com o dispositivo de leitura portátil i-Safe e o portal da web de forma a simplificar a inspecção e controlo do inventário e fornecer registos para o seu equipamento de protecção pessoal. Ver a figura 29.

- **FREQUÊNCIA:** Antes de cada utilização, inspecione a SRL de acordo com os passos abaixo indicados. As SRLs devem ser inspeccionadas por um técnico especializado (que não o utilizador) pelo menos uma vez por ano. Se for a sua primeira utilização, contacte um representante do serviço de assistência ao cliente ou, se já estiver registado, dirija-se a: www.capitalsafety.com/isafe.html. Siga as instruções incluídas com o seu leitor portátil i-Safe ou indicadas no portal da internet sobre como transferir os seus dados para o seu historial na internet. Guarde os resultados de cada inspecção formal no historial de exames periódicos e reparações das IGUM (5902392) ou utilize o portal da internet de inspecção i-Safe™ para arquivar os seus registos de inspecção. Ver secção 4 das IGUM.

Pode encontrar um registo das datas das manutenções anuais nas etiquetas da SRL.

◇ **Após uma travagem antiqueda:** Inspeccione o indicador de impacto de carga e a totalidade da SRL.

◇ **Após uso em modo de resgate:** Depois de uma elevação ou descida, inspeccione o indicador de impacto de carga e a totalidade da SRL. As aplicações que exigem elevações ou descidas contínuas podem requerer inspecções e manutenção mais frequentes. Contacte a Capital Safety se tiver quaisquer dúvidas relacionadas com a frequência de inspecção.

AVISO: Consulte a secção 1.2 das IGUM se a SRL tiver sido sujeita a forças de travagem antiqueda ou de impacto.

IMPORTANTE: Condições de funcionamento extremas (ambiente agreste, utilização prolongada) podem exigir um aumento na frequência das inspecções.

• PASSOS DE INSPECÇÃO GERAIS:

Passo 1. Tome atenção a parafusos e porcas soltos ou peças dobradas ou danificadas.

Passo 2. Inspeccione o invólucro quanto a deformações, fendas ou outros danos.

Apenas modelos UltraLok: Certifique-se de que o olhal giratório não se encontra danificado ou de modo algum deformado. Certifique-se de que o olhal giratório se encontra desobstruído.

Apenas série SB: Certifique-se de que o engate está desobstruído e livre de deformações, fendas, pontas mal acabadas e peças gastas. Certifique-se de que a porca está totalmente apertada.

Passo 3. Inspeccione o indicador de impacto de carga. Esta inspecção depende do tipo de SRL utilizada. Siga as instruções especificadas para o seu tipo de SRL:

- ◇ **SRLs UltraLok do tipo cabo e corda:** Ver a figura 30. Inspeccione o indicador de impacto de carga (A). No “modo normal” (B), deverá procurar uma faixa de cor exposta (C) no gancho. Se o gancho estiver no “modo indicado” (D), ocorreu uma carga de impacto.
 - **Nota:** Não tente reiniciar o indicador de impacto. A cabeça giratória não girará livremente no “modo indicado.”
- ◇ **SRLs SB:** Ver a figura 31. Verifique o botão indicador de impacto vermelho (A) para se certificar de que está envolvido pelo invólucro. Se o botão não estiver envolvido pelo invólucro, o bloco foi activado.
- ◇ **SRLs UltraLok do tipo cordame:** Ver a figura 32. Estas SRLs incorporam um indicador de impacto na corda de segurança de cordame (A). O cordame perto da extremidade do gancho (B) da corda de segurança encontra-se dobrado sobre si mesmo e cosido com fio vermelho, formando um pequeno laço (C). O laço cosido solta-se a cerca de 1,6 kN. Se a costura vermelha estiver intacta, a SRL não sofreu impacto. Se a costura vermelha estiver rota e o anel desfeito (D), a SRL sofreu carga de impacto.
- ◇ **SRLs UltraLok do tipo Leading Edge:** Ver a figura 33. As SRLs de tipo leading edge, modelo 3504500, incorporam um componente de absorção da energia integral. Inspeccione o dispositivo de absorção de energia para determinar se foi activado. Não deverá haver vestígios de ter sido esticada (B). Certifique-se de que a cobertura do dispositivo de absorção de energia (A) se encontra presa e não rasgada ou danificada.

ADVERTÊNCIA: Se a inspecção revelar uma condição defeituosa, retire a SRL imediatamente de serviço e contacte um centro de assistência autorizado.

Passo 4. A corda de segurança deverá poder esticar e encolher totalmente sem hesitações nem criação de condições de folga. A corda de segurança deverá encontrar-se esticada (sob tensão). Certifique-se de que o dispositivo trava quando a corda de segurança é puxada bruscamente. A travagem deve ser positiva e sem deslizos.

Passo 5. As etiquetas devem estar presentes e completamente legíveis. Ver suplemento do modelo.

Passo 6. Procure sinais de corrosão em toda a unidade.

Passo 7. Inspeccione a corda de segurança.

- ◇ **Modelos de corda de arame:** Ver a figura 34. Inspeccione a corda procurando cortes, dobras (A), arames partidos (B) e desfiados (C), corrosão, resíduos de soldagem (D), áreas com contacto químico ou gravemente deterioradas. Deslize o amortecedor do cabo e inspeccione procurando fendas ou danos nas braçadeiras e corrosão e arames partidos na corda de arame.
 - **Nota:** Substitua a estrutura da corda de arame se apresentar seis ou mais arames partidos aleatoriamente distribuídos numa camada, ou três ou mais arames partidos na mesma faixa de uma camada. Uma “camada” de corda de arame é o comprimento de corda necessário a uma faixa (o grupo alargado de arames) para completar uma volta ou revolução ao longo da corda. Substitua a estrutura da corda de arame se apresentar arames partidos a menos de 25 mm das virolas.
- ◇ **Modelos de cabo tipo cordame ou sintético:** Ver a figura 34. Inspeccione a corda de segurança quanto a sinais de desgaste concentrado, feixes desentrançados (E), fios partidos, queimaduras (F), cortes (G) e abrasões. A corda de segurança deve estar isenta de nós a todo o comprimento. Inspeccione sinais de sujidade excessiva (H), acumulação de tinta e manchas de ferrugem. Certifique-se de que não há danos causados por produtos químicos ou pelo calor, indicados por zonas castanhas, descoloradas ou desfiadas. Certifique-se de que não há danos causados por raios ultravioleta, indicados por descoloração e pela presença de borbotos ou fibras soltas na superfície da corda.
 - **NOTA:** Todos estes factores são conhecidos por reduzir a resistência da corda. A resistência da corda é menor consoante a área danificada em longitude. As cordas danificadas ou em estado duvidoso devem ser substituídas.

AVISO: Não ate nem dê nós na corda de segurança. Evite que a corda de segurança entre em contacto com superfícies cortantes ou abrasivas. Inspeccione frequentemente a corda de segurança procurando cortes, fios soltos, queimaduras ou sinais de danos químicos. Sujidade, contaminantes e água podem reduzir as propriedades dieléctricas da corda de segurança. Use de precaução junto a cabos de alta tensão.

Passo 8. Inspeccione os ganchos de ligação, se for caso disso, procurando sinais de danos, corrosão e desgaste. O elemento giratório deve poder rodar livremente.

Passo 9. Inspeccione a extensão de saída da corda de segurança de reserva, se for caso disso, verificando os indicadores:

- ◇ **Modelos de cordas de segurança com cabo de arame (à excepção dos produtos da Série SB):** Ver a figura 35: A-Guia do Cabo; B-Bloqueio do Cabo; C-Manga do Guia do Cabo; D-Amortecedor. Ver a Figura 36: A-Banda Vermelha da Corda de Segurança de Reserva. Figura caso de travagem de queda em que a corda de segurança já se encontrasse exposta em quase toda a sua extensão, é possível que tenha sido utilizada a corda de segurança de reserva. Para inspeccionar o desenrolamento da corda de segurança de reserva, puxe a corda de segurança da SRL até esta parar. Se a

banda vermelha indicadora estiver visível, significa que a corda de segurança de reserva foi utilizada. Caso a corda de segurança de reserva não se tenha desenrolado, significa que essa porção é aceitável e que se pode prosseguir com a inspeção.

- ◇ **Modelos da série SB:** Estas SRLs não possuem a funcionalidade de corda de segurança de reserva.
- ◇ **Modelos de cordas de segurança UltraLok do tipo cordame:** Inspeccione a saída da corda de segurança de reserva. Em caso de travagem de queda em que a corda de segurança já se encontrasse exposta em quase toda a sua extensão, é possível que tenha sido utilizada a corda de segurança de reserva. Puxe a corda de segurança da SRL até esta parar. Se a etiqueta da corda de segurança de reserva (F) estiver visível, conforme apresentado na figura 7, significa que a corda de segurança de reserva está desenrolada, obrigando a que a unidade seja sujeita a um serviço de manutenção por parte de um centro de assistência técnica autorizado antes de poder ser reutilizada. Caso a corda de segurança de reserva não se tenha desenrolado, prossiga com a inspeção.
- ◇ **Modelos de cordas de segurança com cabo sintético:** Inspeccione a saída da corda de segurança de reserva. Em caso de travagem de queda em que a corda de segurança já se encontrasse exposta em quase toda a sua extensão, é possível que tenha sido utilizada a corda de segurança de reserva. Para inspeccionar o desenrolamento da corda de segurança de reserva, puxe a corda de segurança da SRL até esta parar. Se a etiqueta de aviso da corda de segurança de reserva (A) estiver visível, significa que a corda de segurança de reserva se desenrolou. Ver a figura 37. Caso a corda de segurança de reserva não se tenha desenrolado (a etiqueta da corda de segurança de reserva não está visível), significa que essa porção é aceitável e que se pode prosseguir com a inspeção.

IMPORTANTE: *Se os indicadores estiverem visíveis, significa que a unidade deverá ser submetida a manutenção por parte de um centro de assistência técnica autorizado antes de poder ser reutilizada.*

Passo 10. Inspeccione todos os componentes do sistema ou do subsistema de acordo com as instruções do fabricante.

- **PASSOS A SEGUIR PARA A INSPECÇÃO DE COMPONENTES DE RESGATE:** (MODELOS 3400101, 3400102, 3400301, 3400302, 3400501, 3400502)

Passo 11. Inspeccione o braço de resgate (A) para prevenir distorções ou outros danos. A pega de resgate (B) deve encaixar facilmente no braço de resgate e o botão de pressão deve funcionar sem impedimentos.

Passo 12. A alavanca (F) deve rodar livremente aquando do engate/desengate. A anilha (D) situada no botão de deslocação deve regressar à sua posição inicial quando solta.

Passo 13. Inspeccione o funcionamento do modo de resgate. Testar, levantar e baixar um peso-teste (saco de areia) com peso entre 34 kg e 141 kg. A operação de resgate deve

ser suave e constante. Quando a pega de resgate (B) é solta, o peso não deve mover-se e a pega deve manter-se em posição (sem qualquer movimento). Deve ouvir-se distintamente um som de “cliques” aquando da elevação da carga.

Passo 14. A cobertura da lingueta (H) (ver a figura 3) deverá encontrar-se segura e não apresentar qualquer deformação. Os ganchos de montagem opcionais deverão estar ligados à SRL de forma segura e livres de quaisquer defeitos. O pino detentor deverá funcionar sem impedimentos.

- **PASSOS A SEGUIR PARA A INSPECÇÃO DE COMPONENTES DE RESGATE:** (MODELOS 340854 E 340855) Ver a figura 4

Passo 11. Inspeccione o braço de resgate (E) para prevenir distorções ou outros danos. Certifique-se de que a pega de resgate (A) pode ser rodada e fixada na posição de accionamento.

Passo 12. Certifique-se de que o parafuso de bloqueio (D) pode ser totalmente apertado.

Passo 13. Certifique-se de que é possível puxar a alavanca (C) para a posição de desbloqueio e, em seguida, soltá-la, bloqueando o braço da manivela (E) em ambas as posições de engate e de desengate.

Passo 14. Teste o modo de resgate para garantir um funcionamento adequado, levantando e baixando um peso-teste com peso entre 34 e 141 kg (saco de areia). A operação de resgate deve ser suave e constante. Quando a pega de resgate (A) é solta, o peso não deve mover-se e a pega (A) deve manter-se em posição (sem qualquer movimento). Deve ouvir-se distintamente um som de “cliques” aquando da elevação da carga.

- **PROCEDIMENTO A SEGUIR QUANDO O EQUIPAMENTO NÃO SE ENCONTRA EM BOAS CONDIÇÕES:** consulte a secção 1.2 das IGUM

IMPORTANTE: apenas a Capital Safety ou terceiros com autorização escrita podem efectuar reparações neste equipamento.

8.0 VIDA ÚTIL DO PRODUTO

Enquanto a SRL passar a inspecção por uma pessoa competente¹, poderá continuar a ser usada. Consulte as IGUM 4.2 e a secção 1.16 para informações sobre a garantia.

9.0 MANUTENÇÃO, ARMAZENAMENTO, TRANSPORTE (Consultar a secção 3 das IGUM)

- **MANUTENÇÃO**

◇ Posicione a SRL de tal forma que o excesso de água possa ser

¹ Pessoa competente: um indivíduo que tenha o devido conhecimento das recomendações e instruções do fabricante e do componente fabricado e que seja capaz de identificar perigos existentes e previsíveis na selecção, utilização e manutenção apropriadas da protecção contra quedas.

drenado.

- ◇ Limpe as etiquetas conforme seja necessário.
- ◇ Siga as secções 3.1 e 3.2 das IGUM. Uma acumulação excessiva de sujidade, tinta, etc. poderá impedir a retracção total da corda de segurança no invólucro, causando um risco potencial de queda. Proceda à substituição da corda de segurança caso verifique a presença de uma acumulação excessiva.
- ◇ Não lubrifique quaisquer peças.

ADVERTÊNCIA: *Se a corda de segurança entrar em contacto com ácidos, retire a unidade em funcionamento e lave-a com água e uma solução de sabão suave. Inspeccione a unidade antes de voltar a colocá-la em funcionamento.*

- **ARMAZENAMENTO:** Ver secção 3.3 das IGUM. Inspeccione minuciosamente a SRL após qualquer armazenamento prolongado.
- **TRANSPORTE:** Ver a secção 3.4 das IGUM.

10.0 ASSISTÊNCIA TÉCNICA.

A substituição da corda de segurança, bem como todos e quaisquer procedimentos adicionais de manutenção e assistência técnica deverão ser efectuados por um centro de assistência técnica autorizado. A Capital Safety deverá emitir uma autorização e um número de devolução. Não desmonte a SRL. Para obter mais informações acerca da frequência com que a unidade deve ser inspeccionada, consulte a secção 7.0.

11.0 ESPECIFICAÇÕES E ETIQUETAS (VER O SUPLEMENTO DO MODELO)

12.0 TERMINOLOGIA

Salvador: Pessoa ou pessoas, que não a pessoa a ser socorrida, que procede(m) a uma acção de salvamento assistido mediante a utilização de um sistema de salvamento.

Pessoa competente: Ver a secção 16 das IGUM.

Du har lige købt et personligt beskyttelsesudstyr (PPE) af mærket Capital Safety, som yder faldsikring for personer, der har højdearbejde. Vi vil gerne takke dig for din tillid til vores udstyr. For at få den sikkerhed og komfort, du forventer, behold og følg alle anvisninger. Alle brugere og reddere (se afsnit 12 Terminologi) skal læse denne vejledning inden brug.

Se 'Leksikon' under "Generel vejledning til brug og vedligeholdelse" (GIUM) til identifikation af tal i en hvid kasse.

1.0 FORMÅL/BESKRIVELSER

Capital Safety selvoprullende livlinier (SRL) er komponenter af personlige faldsikringssystemer (PFA'er). Disse systemer inkluderer typisk en helkrops faldsele, en forankringskonnektor (dvs. karabinhage) og SRL'en (den selvoprullende livline). Brug i situationer hvor der er behov for mobilitet og faldsikring af arbejderen (inspektionsarbejde, alment konstruktionsarbejde, vedligeholdelsesarbejde, olieproduktion, arbejde i indsnævrede rum etc.).

Visse modeller har en hentningsfunktion*. Disse modeller har standard faldsikringskapacitet, når de anvendes i modusen uden hentningsfunktion. Ved brug af hentningsfunktionen kan disse modeller anvendes til nødredning (hævning eller nedsænkning) af personale inden for kapacitetsområdet angivet nedenfor. Det er også tilladt at anvende hentningsmodeller til at hæve eller sænke materialer inden for det angivne kapacitetsområde.

- **FORSEGLEDE SRL'ER (SELVOPRULLENDE LIVLINER):** Capital Safety forseglede SRL'er (selvoprullende livlinier) inkorporerer en patenteret forseglingssteknologi, som adskiller alle dynamiske komponenter fra fremmedelementer, såsom smørelse, fugt og snavs, for at opnå sikker funktion under alle arbejdsforhold. Se Figur 1: A-Forankringshåndtag, B-Vejledningsmærkat, C-Hus, D-Belastningsindikatormærkat, E-ID-mærkat, F-Kabelføring, G-Livline, H-Fanger, I-Ferrul, J-Selvlåsende snapkrog.
 - ◇ **Forseglede SRL'er (selvoprullende livlinier) med hentningsfunktion:** Se Figur 2: A-Hentningsarm, B-Hentningshåndtag, C-Beslag til stuvning af håndtag, D-Pull Ring, E-Betjeningsmærkat, F-Skifteknuglegreb, G-Hentningsmærkat, H-Paldæksel, I-Momentbegrænser-mærkat.
- **SEALED-BLOK™ SRL'ER (SELVOPRULLENDE LIVLINER):** Inkluderer hus af støbealuminium og tykke endeplader af rustfrit stål eller aluminium, anti-ratcheting bremsesystem, indbygget bærehåndtag (gør transport nem og giver et sekundært forankringspunkt til "beskyttelse mod tabte genstande"), stort drejeligt forankringshåndtag og selvlåsende svirvelkrog med belastningsindikator. Se Figur 3: A-Forankringshåndtag, B-Hus, C-Instruktionsmærkat, D-Kabelføring, E-ID-mærkat, F-Livline, G-Fanger, H-RFID-mærkat; I-Selvlåsende snapkrog.

- ◇ **Sealed-Blok™ SRL'er (selvoprullende livliner) med henting (hejs):** Se Figur 4: A-Hentningshåndtag, B-Hentningsmærkat, C-Skifteknuglegreb, D-Låseskrue, E-Hentningsarm (krumtaparm), F-Betjeningsmærkat til spil, G-RFID-mærkat.

VIGTIGT: Hentningsudstyr vil muligvis ikke være egnet til anvendelser, som kræver hyppig og vedvarende brug som en materialehejs. Rådfør dig med Capital Safety inden brug af produktet til sådanne anvendelser. Hentningsmodellerne er ikke beregnet til almen brug til anvendelser som f. eks. arbejdspositionering eller personhejsning.

- **ULTRA-LOK® SRL'ER (selvoprullende livliner):** Capital Safety Ultra-Lok® SRL'er (selvoprullende livliner) leveres med et holdbart glasfyldt hus af polyurethan, livline af stålkabel eller remtøj, og sideplader af aluminium for maksimal holdbarhed og minimal vægt. Systemerne har et anti-racheting bremsesystem med to skiver og en lydindikator, som fortæller dig, at det fungerer korrekt.
- ◇ **Ultra-Lok® SRL'er (selvoprullende livliner) af stålkabel og syntetisk reb:** Inkluderer drejeligt forankringsøje, selvlåsende drejelig snapkrog med belastningsindikator, og valg af livliner af galvaniseret stålkabel eller rustfrit stålkabel, eller syntetisk reb. Følgende livlinelængder fås i stålkabel: 6,1, 9,1, 15,2 og 25,9 m. Følgende livlinelængder fås i syntetisk reb: 6,1, 10,7, og 16,8 m. Se Figur 5: A-Drejeligt forankringsøje; B-Mærkat med inspektionsnotater, C-Advarselsmærkat, D-Ultra-Lok mærkat, E-ID-mærkat, F-Forbindelsesmærkat; G-Stålkabel eller syntetisk reb; H-Fanger; I-RFID-mærkat; J-RFID-mærkat; K-Selvlåsende krog.
- ◇ **Leading Edge SRL'er (selvoprullende livliner):** Inkluderer drejeligt forankringsøje, selvlåsende drejelig snapkrog med belastningsindikator, integral faldpakke og 9,1 m lang livlinekabel i galvaniseret stål. Se Figur 6: A-Forankringsøje; B-Mærkat med inspektionsnotater, C-Advarselsmærkat, D-Ultra-Lok-mærkat, E-Forbindelsesmærkat; F-Stålkabel; GRFID-mærkat; H-Fald-dæmper; I-Selvlåsende snapkrog.
 - **Bemærk:** Capital Safety SRL model 3504500 er beregnet til brug i anvendelser, hvor der kan forekomme fald over en kant, såsom ved tagdækning, forkantskonstruktion, etc. Denne model er særligt egnet til brug med et faldsikringssystem, som anvender Capital Safety forankringskonnektorer beregnet til forkantsarbejde. Vi anbefaler 2105503 Svinganker til betontag.
- ◇ **ULTRA-LOK® SRL'er (selvoprullende livliner) AF REMTØJ:** Inkluderer drejeligt forankringsøje, selvlåsende snapkrog og 2,54 cm bred livline i nylon remtøj i længderne 3,4 m og 6,1 m. Se Figur 7: A-Forankringsøje; mærkater: B-Advarsel, C-ID, D-Belastningsindikator, E-Forbindelser, F-Reserve livline; G-RFID-mærkat; H-Remtøjlivline; I-Indikatorfold; I-Tilkoblingskrog.

- **SB SERIE SRL'ER (selvoprullende livliner):** Inkluderer hus i ekstra kraftig støbealuminium, anti-racheting skivebremse-system, svingbar forankringslænke i stål med høj styrke, retention af reserve livline, og selvlåsende drejelig snapkrog med belastnings-indikator. Se Figur 8: A-Lænke; B-Belastningsindikator, C-SALA-mærkat, D-Belastningsmærkat, E-Advarselsmærkat, F-Specifikationsmærkat, G-Vejledningmærkat (venstre side), H-ID-mærkat, I-Vejledningmærkat (højre side); J-Stålkabel; K-RFID-mærkat; L-Dråbeformet kovs; M-Selvlåsende drejelig snapkrog; N-Krogvalgmuligheder.

VIGTIGT: Se GIUM afsnit 1.1 og 1.3 før brug af dette udstyr.

VIGTIGT: Inden udstyret tages i brug, noter produktidentifikations-informationen fra ID-mærkat (1) på arket for udstyrsidentifikation bagest i vejledningen (GIUM).

2.0 KRAV: Installation og brug af udstyret er indskrænket af følgende begrænsninger:

- **KAPACITET:** En person. Der må aldrig forbindes mere end én person til en enkelt SRL (selvoprullende livline) ved anvendelse til faldsikring. Hentningsanvendelser kan være forskellige for hver model. Se supplement til modellen for mere information.
- **LÅSNINGSHASTIGHED:** Situationer, som ikke muliggør en uhindret faldvej, bør undgås. Eksempler inkluderer: Arbejde i snævre eller trange områder, på langsomt rykkende materiale (såsom sand eller korn) eller på et lavt skråtag, hvor en arbejder eventuelt glider i stedet for at falde. Disse situationer vil muligvis ikke lade kroppen nå en tilstrækkelig hastighed til, at SRL'en (den selvoprullende livline) låser i tilfælde af et fald. En uhindret vej er påkrævet for at sikre garanteret låsning af SRL'en (den selvoprullende livline).
- **MILJØMÆSSIGE FARER:** Når dette udstyr anvendes i miljøfarlige områder, kan det være nødvendigt at træffe yderligere forholdsregler for at undgå, at brugeren kan komme til skade, eller at udstyret beskadiges. Faremomenter kan omfatte, men er ikke begrænset til:
 - ◇ **Korrosion:** Efterlad ikke udstyret i længere tid i miljøer, hvor der kan forekomme korrosion af metaldele som resultat af dampe fra organiske materialer. Vær forsigtig ved arbejde nær spildevand eller gødningsstof pga. den høje koncentration af ammoniak, som er yderst korroderende. Anvendelse i nærheden af saltvand eller andre korrosive miljøer kan kræve hyppigere inspektioner eller serviceeftersyn for at sikre, at korrosionsbeskadigelse ikke påvirker produktets virkemåde.
 - ◇ **Kemikalier:** Opløsninger, som indeholder syrer, alkali eller andre ætsende kemikalier kan beskadige DBI SALA SRL'er (selvop-

rullende livliner), især ved høje temperaturer. Ved arbejde med sådanne kemikalier skal der foretages hyppigere inspektioner af hele SRL'en (den selvoprullende livline). Kemikalieskader på livlinen er vanskelige at opfange. Det anbefales for at garantere sikkerhed derfor, at livlinen udskiftes regelmæssigt. Livlinen må kun udskiftes af et autoriseret servicecenter.

- ◇ **Varme:** Dette udstyr er ikke beregnet til anvendelse i miljøer med høje temperaturer. Sørg for at udstyret beskyttes ved anvendelse nær svejsning, metalskæring, eller lignende aktiviteter. Varme gnister kan brænde eller beskadige udstyret.
 - **Bemærk:** Livliner af syntetisk reb er ikke flammesikre og må ikke udsættes for meget høje temperaturer. Anvend ikke følgende i miljøer eller på kontaktoverflader med højere temperaturer end som specifikt angivet:
 - *Spectra-reb til 60° C*
 - *Vectran-reb til 120° C*
- ◇ **Elektrisk:** Pga. risikoen for at der ledes elektrisk strøm gennem livlinen af stålkabel, skal der udvises ekstrem forsigtighed ved arbejde nær højspændingsledninger.

Kontakt Capital Safety, hvis du har spørgsmål til, hvordan dette udstyr anvendes på steder, hvor der er miljømæssige eller fysiske farer.

VIGTIGT: Der henvises til gældende standarder, der gælder for dette udstyr for mere information om personlig faldsikrings- eller fastspændingssystemer og tilhørende systemkomponenter

- **KOMPONENTERNES KOMPATIBILITET:** Dette udstyr er kun designet til brug sammen med Capital Safety-godkendte komponenter og delsystemer. Se også GIUM afsnit 1.12.
- **KONNEKTORERNES KOMPATIBILITET OG OPRETTELSE AF FORBINDELSER:** Konnektorer (kroge, karabinhager, D-ringe) skal kunne modstå mindst 22 kN (2267 kg). Konnektorer skal være kompatible med forankringen og andre systemkomponenter og opfylde EN362 standarder. Se Figur 9: A-Forankring; B-Konnektor; C-Forankringskonnektor, D-Monteringsbeslag; E-Trefods ben. Se også GIUM afsnit 5 og Figurer for EN362.
- **FORANKRINGSSTYRKE:** Den påkrævede forankringsstyrke afhænger af anvendelsestypen. Ankre skal opfylde kravene i EN795. Se også GIUM afsnit 12.
- **HORISONTALT SYSTEM:** Ved anvendelser, hvor en SRL (selvoprullende livline) anvendes sammen med et horisontalt system (dvs. horisontale I-bjælker og trolley), skal SRL'en (den selvoprul-

lende livline) og horisontale systemkomponenter være kompatible. Horisontale systemer skal være konstrueret til og installeret under opsyn af en kvalificeret ingeniør.

- **VALGFRIT HENTNINGSSYSTEM:** Ved anvendelse af en SRL (selvoprullende livline) med et valgfrit hentningssystem skal det sikres, at den understøttende struktur (dvs. trefod, davit-arm) er kompatibel med SRL'ens (den selvoprullende livlines) forbindelse, funktion, stabilitet og styrke. Se Figur 10-Valgfri montering til model 3400614: A-Hex-låsemøtrik, M12 x 1,75, zinkbeklædt (ZP); B-Hex-hovedbolt, M12 x 1,75 x 25 cm, Metrisk møtrikklasse 8.8, ZP; C-Monteringsoverflade; D-brug spændeskiver efter behov; E-Spændeskive, 12 mm, ZP, 5 typisk; F-Hex-hovedbolt, M12 x 1,75 x 8 cm, Metrisk møtrikklasse 8.8, ZP.

3.0 UDDANNELSE

Brugerne af dette udstyr er ansvarlige for, at disse anvisninger er forstået, og at de er uddannet i korrekt installation, brug og vedligeholdelse af dette udstyr. Denne brugsvejledning kan ikke bruges i stedet for et uddannelsesprogram.

VIGTIGT: Læs GIUM afsnit 1.1 angående uddannelse.

4.0 PLANLÆGNING

FØR HVER BRUG: Læs GIUM afsnit 1.1 "Før hver brug" og efterse grundigt SRL'en (den selvoprullende livline) for at sikre, at den er i god funktionsstand ved at følge trinene i afsnit 7.0. Gør derudover følgende:

- Sørg for at alle bolte er tilstede og er sikre.
- Træk linen ud og lad den langsomt rulle tilbage. Hvis der er nogen tøven ved tilbagetrækning, skal enheden returneres til Capital Safety for et serviceeftersyn.
- Kontroller låsemekanismen ved at trække hårdt i linen.
- Må ikke bruges, hvis inspektionen afslører en farlig tilstand.

VIGTIGT: Læs GIUM afsnit 1.3, 1.4, 1.12, når du planlægger dit system.

PLANLÆGNING: Planlæg dit faldsikringsystem, inden du starter dit arbejde. Overvej faktorer, der påvirker din sikkerhed, inden, under og efter et fald. Følgende liste indeholder nogle vigtige punkter, som skal overvejes:

- **FORANKRING:** Vælg et fast forankringspunkt (se Figur 9). Se mere om forankringsstyrke i afsnit 2.0. Vælg omhyggeligt forankringsstedet for at reducere farerne ved frie fald og svingfald. Valgfri montering til hentningssystemer omhandles i afsnit 2.0.

VIGTIGT: Kun SRL'er (selvoprullende livliner), som kan anvendes horisontalt (angivet ved mærkning), såsom Leading Edge SRL'en (selvoprullende livline), kan forankres på fodniveau eller derover. Se Figur 12. Alle andre SRL'er (selvoprullende livliner) skal forankres over helkrops faldselefastgørelsen (angivet ved mærkning). Se Figur 11.

- **SVINGFALD:** Svingfald sker, når forankringspunktet ikke befinder sig umiddelbart over det punkt, hvor faldet sker. Se Figur 13. Den kraft, der udøves når et emne rammes i et svingfald, kan forårsage alvorlig personskade. I en svingfaldssituation vil brugerens samlede lodrette faldafstand være større, end hvis brugeren var faldet lodret ned lige under forankringspunktet. Den samlede frie faldafstand og afstanden, som er nødvendig for sikkert at kunne stoppe brugerens fald øges derfor. SRL'en (den selvoprullende livline) aktiveres uanset dens position relativ til brugeren. Gennemgå din specifikke anvendelse for at bestemme, hvad den passende arbejdszone skal være. Svingfald kan minimeres ved så vidt muligt at arbejde lige under forankringspunktet. Tillad aldrig muligheden for svingfald, hvis det kan medføre tilskadekomst. Kontakt Capital Safety, inden du fortsætter, hvis der er en svingfaldssituation involveret ved din anvendelse.
- **FALDAFSTAND:** Sørg for at der er tilstrækkelig fri afstand om faldvejen for at undgå at ramme en genstand. Den minimale fri afstand er 4,5 m mellem den dorsale D-ring og den næste hindring eller genstand. Se Figur 14. Yderligere afstand kræves, hvis der er mulighed for svingfald.
- **SKARPE KANTER:** Undgå at arbejde, hvor livlinen vil komme i kontakt med eller skrabe mod ubeskyttede skarpe kanter. Sørg når muligt for beskyttelse af livlinen. En energiabsorberende komponent kan undertiden tilføjes på linen for yderligere at beskytte arbejderen. Der skal tages hensyn til kompatibilitet og samlet faldafstand, hvis dette gøres. Kontakt Capital Safety inden brug af en energiabsorberende komponent eller taljereb med en SRL (selvoprullende livline).

VIGTIGT: Selvom Leading Edge SRL'en (Model 3504500) (selvoprullende livline) yder yderligere beskyttelse mod fald over kanter, skal der desuden ydes beskyttelse mod skæring, når der arbejdes nær meget skarpe kanter, såsom stanset, koldvalset, eller flammeskåret stål. Kantbeskyttelse er ikke nødvendig over kanter som varmvalset stål, stålbelægning, beton eller træ.

- **REDNING:** Hvis et fald skulle forekomme, skal arbejdsgiveren have en redningsplan og evnen til at gennemføre en redning.
- **EFTER ET FALD:** Udstyr, som er blevet udsat for kraftpåvirkninger som fra standsning af fald, skal tages ud af service til inspektion. Se afsnit 7.

- **ANDRE HENSYN:** Undgå at arbejde på steder, hvor din livline kan krydse eller sammenfiltres med en anden arbejders line. Lad ikke livlinen gå under armene eller mellem benene. Livlinen må aldrig fastgøres, bindes eller på anden måde forhindres i at trække sig tilbage eller være stram. Undgå en slap line. Vikl ikke livlinen rundt om små strukturelle dele.

VIGTIGT: Læs og overhold fabrikantens instruktioner for tilknyttet udstyr (dvs. helkrops faldsele), som anvendes i dit personlige faldsikringssystem.

VIGTIGT: For særlige (brugertilpassede) versioner af produktet, skal du følge instruktionerne fremsat i vejledningen. Se supplementet, hvis inkluderet, for yderligere instruktioner, når du anvender et brugertilpasset produkt.

5.0 SAMLING OG INSTALLATION

- **KROPSSELE:** Når der anvendes en Capital Safety SRL (selvoprulende livline), skal du anvende en helkrops faldsele (EN361). Ved brug til generel faldsikring forbindes den til D-ringen bagpå (dorsale ring) mellem skuldrene.

◇ **Hentningsfunktioner:** Det anbefales, at en helkrops faldsele anvendes til at hente offeret, idet det antages at dennes helbredstilstand tillader sådan hentning. Modeller fås med forbindelser til hentning (skulder D-ringe) på skuldrene for at lette redningsoperationer.

ADVARSEL: Kropsbælter er ikke tilladte i situationer, hvor der er risiko for frit fald. De øger skadesrisikoen under faldsikring sammenlignet med komplette kropsseler. Begrænset ophængningstid og muligheden for forkert brug af et kropsbælte kan medføre øget fare for brugerens helbred. Se også GIUM afsnit 2.0.

- **FORBINDELSER:** Sørg ved brug af en krog eller karabinhage for at lave en forbindelse, således at linen ikke kan rulle ud. Se afsnit 2.0, "Konnektorenes kompatibilitet." Se Figur 15. Brug en låsende snapkrog eller karabinhage (A), som vil lukke helt omkring forankringen (B) eller forankringskonnektoren (C). Det anbefales, at Model 340614 fastgøres på en struktur i en fikseret position (vs. at hænge) med det leverede hardware. Monteringsoverfladen bør opfylde kravene til forankringsstyrke fremsat i afsnit 2.0, "Forankringsstyrke." Følg instruktionerne, som fabrikanten har leveret med hver systemkomponent.

6.0 BRUG

Se Figur 16. Forbind SRL'en (den selvoprulende livline) (A) til en egnet forankring (B). Forbind den selvåbende snapkrog (C) med faldsikringens eller stigans klatrefastgørelseselement (D) på

helkrops faldselen (E). Se Figur 17. Sørg for at alle forbindelserne er kompatible, og at krogerne er helt lukket og låst. Når først arbejderne er fastgjort, kan denne frit bevæge sig omkring inden for det anbefalede arbejdsområde ved normal hastighed. Livlinen skal kunne trækkes ud og trækkes tilbage uden tøven. Livlinen skal altid forblive stram under normal brug. Hvis en situation opstår, hvor linen bliver slap under normal brug, skal enheden returneres til Capital Safety for service. Hvis der skulle forekomme et fald, vil SRL'en (den selvoprullende livline) låse og stoppe faldet.

WARNING: Efter redning skal SRL'en (den selvoprullende livline) tages ud af brug. Se også GIUM afsnit 1.2.

Efterse som beskrevet i afsnit 7.0, "Efter en faldstandsning." Lad under arbejde med en SRL (selvoprullende livline) altid livlinen rulle tilbage i anordningen under kontrol. Det kan være nødvendigt med en kort holde-wire for at kunne trække livlinen ud eller trække den tilbage under forbindelse og frakobling. Hvis livlinen får lov til at være helt udtrukket gennem længere tid, kan det forårsage for tidlig svækkelse af hentningsfjederen.

- **BETJENING AF HENTNINGSSYSTEMET** (Modeller 3400101, 3400102, 3400301, 3400302, 3400501, 3400502): Figur 17 viser hvordan hentningsmodus aktiveres. Fjern hentningshåndtaget på bagsiden af SRL'en (den selvoprullende livline) ved at trykke på udløsningsknappen øverst på håndtaget og trække opad. Sæt stiftet i hullet i enden af hentningsarmen. Drej armmonteringen til siden for at få adgang til skifteknuglegrebet. Løft pull ringen (på skifteknuglegrebet) og drej den 1/8 omdrejning mod uret og slip. Drej hentningsarmen med uret for at lette tilkobling. **Skifteknuglegrebet skal bevæge sig indad og dreje til en låst position, når drevet er helt tilkoblet.**

◇ **For at hæve:** Drej hentningsarmen mod uret.

◇ **For at sænke:** Drej hentningsarmen med uret. Hold altid livlinen spændt (34 kg minimum).

VIGTIGT: En minimum belastning på 34 kg er nødvendig for at sænke eller slække linen.

VIGTIGT: Hvis der skulle forekomme et fald i faldsikringsmodus, og arbejderne skal sænkes til sikkerhed, skal arbejderne hæves en smule for at frigøre spærpalerne og sænke arbejderne.

VIGTIGT: Fortsæt ikke med at dreje hentningsarmen i den sænkende retning, efter kablet er helt udtrukket. Fjederen kan blive beskadiget.

- ◇ **Deaktivering af hentningsmodus:** Fjern belastningen fra livlinen. Drej skifteknuglegrebet 1/8 omdrejning mod uret, træk ringen ud, drej skifteknuglegrebet 1/8 omdrejning med uret. Slip pull ringen. Fjern hentningshåndtaget fra hentningsarmen og sæt i opbevaringsbeslaget. Indsæt hentningshåndtagets stift gennem håndtaget og ind i opbevaringsbeslaget.
- ◇ **Overbelastningsfunktion ved hentning:** SRL'er (selvopru llende livliner) med hentningsfunktion (hejs) (som vist på figur 17) er udstyret med en momentbegrænser, som beskytter drivkomponenterne og personen, som hæves, mod for stor stødbelastning. Den samme funktion yder støddæmpning til brugeren ved fald, mens hentningsmodusen er aktiveret. Momentbegrænseren er indstillet til at give efter ved cirka 227 kg for at muliggøre anvendelse i nødr edningsssituationer, hvor der er behov for yderligere løftekapacitet.

VIGTIGT: Kapaciteten for anvendelse til hentning er 210 kg.

VIGTIGT: *Betjening af hentningssystemet ved belastninger, som er højere end mærkekapaciteten reducerer den overordnede sikkerhedsfaktor. Enhver enhed, som er blevet anvendt over mærkekapaciteten, skal tages ud af service og returneres til Capital Safety til eftersyn.*

- ◇ **Montering af hentningsmodeller:** SRL (selvopru llende livline) modellerne med hentningsfunktion kan, som vist på figur 1 og 2, anvendes med valgfrie beslag (Capital Safety reservedelsnumre 3401123 og 3401090) til montering på Capital Safety trefoden, davit-armen eller stigestolpen. Følg nedenstående trin for montering og brug af disse beslag.

VIGTIGT: *Hvis der ikke er fastgjort et tilsvarende beslag på trefoden, skal fastspændingspladens samling anbringes på det ønskede sted på benet og boltene strammes til 20 Nm. Stram ikke for meget.*

- Trin 1.** Fastgør beslaget på SRL'en (den selvopru llende livline) ved at indsætte de to medfølgende bolte gennem hullerne i huset på SRL'en (den selvopru llende livline). Fastgør møtrikker og stram. Se Figur 18.
- Trin 2.** Efter fastgørelse af beslaget på SRL'en (den selvopru llende livline), skal beslagsamlingen på SRL'en (den selvopru llende livline) anbringes på det tilsvarende beslag på trefoden, davit-armen eller stigestolpen. Spalten i enden af SRL- (den selvopru llende livline) beslaget svarer til stift en, som stikker ud på hver side af det tilsvarende beslag. Flyt beslaget på trefodens ben efter behov, så det sidder i den korrekte betjeningshøjde. Se Figur 19.

Trin 3. Mens samlingen hviler på stiften, skal du dreje toppen af SRL'en (den selvopruddende livline) indad for at bringe hullerne på linje. Tryk på knappen i enden af sikringsstiften og skub stiften helt ind for helt at fastgøre SRL- (den selvopruddende livlines) samlingen på trefoden, davit-armen eller stigestolpen. Se Figur 20.

Trin 4. Træk kablet op over støttestrukturen og over taljeblokkene. Sæt sikkerhedsstifterne i igen nær taljeblokkene for at forhindre kablet i at glide af taljeblokkene. Se Figur 21. Figur 22 og 23 viser en færdig fastgørelse.

- **BETJENING AF HENTNINGSSYSTEMET (MODELLER 340854 OG 340855) (EN360:2002 OG EN1496:2006 KLASSER A, B):** Figur 4 identificerer hentningsystemets hovedkomponenter. Aktiver hentningsmodus ved at skruе låseskruen (D) helt ned for at frigøre krumtaparmen (E). Drej håndtaget (A) ud fra dets opbevaringsposition. Aktiver spillet ved at trække og fastholde skifteknuglegrebet (C) i den ulåste position. Skub krumtaparmen (E) til den aktive-rede position og slip skifteknuglegrebet (C). Drej om nødvendigt krumtaparmen med uret (sænker) for at lette aktivering af spillet.
 - ◇ **For at hæve:** Drej krumtaparmen mod uret. Løfteanordningen til redningsopgaver må kun anvendes, hvis løfteprocessen kan foregå uhindret. Den må ikke anvendes, hvis forhindringer udgør en fare.
 - ◇ **For at sænke:** Drej først krumtaparmen mod uret for at frigøre faldbremsen og drej den derefter med uret. Sænkefunktionen er kun beregnet til at sænke en person højst 2 meter.

VIGTIGT: En minimum belastning på 34 kg er nødvendig for at sænke eller slække linen. Den maksimale belastning for denne anordning er 141 kg. Der kræves en kraft på hentningshåndtaget på op til 13 kg for at betjene spillet ved fuld belastning. Endvidere skal der under hele redningsprocessen altid være direkte eller indirekte visuel kontakt eller en anden form for kommunikation med personen, som reddes.

FORSIGTIG: Hold op med at dreje armen, når linen er helt udtrukket eller tilbagetrukket. Fortsat omdrejning kan beskadige komponenter.

- ◇ **Deaktivering af hentningsmodus:** Fjern eventuel belastning fra livlinen. Træk i og hold skifteknuglegrebet i den ulåste position. Træk krumtaparmen ud til den deaktiverede position og slip skifteknuglegrebet. Fastgør krumtaparmen med låseskruen. Træk hentningshåndtaget ud og drej håndtaget til dets opbevaringsposition.

- ◇ **Overbelastningsfunktion ved hentning:** Spil på SRL (selvopruellende livline) modeller (som vist på Figur 4) er ikke udstyret med en momentbegrænser til at begrænse kraften, som udøves på drevkomponenterne og personen, som hæves. Der skal udvises forsigtighed for at undgå en slap line i redningsmodus. Personen skal desuden overvåges under hentning for at undgå, at han/hun sidder fast og udsættes for overdreven belastning ved fortsat løftning.

VIGTIGT: *Betjening af hentningssystemet ved belastninger, som er højere end mærkekapaciteten, reducerer den overordnede sikkerhedsfaktor. Enhver enhed, som er blevet anvendt over mærkekapaciteten, skal tages ud af service og returneres til Capital Safety til eftersyn.*

- ◇ **Montering af hentningsmodeller:** SRL (selvopruellende livline) modeller med hentning (som vist på Figur 3 og 4) kan anvendes med det valgfrie beslag (model 3401025) til montering på Capital Safety trefoden, davit-armen eller stigestolpen. Følg nedenstående trin for montering og brug af dette beslag.

VIGTIGT: *Hvis der ikke er fastgjort et tilsvarende beslag på trefoden, skal fastspændingspladen anbringes på det ønskede sted på benet og boltene strammes til 20 Nm. Stram ikke for meget.*

- Trin 1.** Fjern de tre sæt skruer, som sidder i hullerne på siden af SRL'ens (den selvopruellende livlines) hus. Se Figur 24.
- Trin 2.** Fastgør beslaget på SRL'en (den selvopruellende livline) ved at indsætte de tre bolte gennem hullerne i SRL'ens (den selvopruellende livline) hus. Se Figur 25.
- Trin 3.** Efter fastgørelse af beslaget på SRL'en (den selvopruellende livline), skal beslagsamlingen på SRL'en (den selvopruellende livline) anbringes på det tilsvarende beslag på trefoden, davit-armen eller stigestolpen. Spalten i enden af SRL- (den selvopruellende livline) beslaget passer til stiftens, som stikker ud på hver side af det tilsvarende beslag på stigestolpen, davit-armen eller trefodens ben. Flyt beslaget på trefodens ben efter behov, så det sidder i den korrekte betjeningshøjde. Se Figur 26.
- Trin 4.** Mens samlingen hviler på stiftens, skal du dreje toppen af SRL'en (den selvopruellende livline) indad for at bringe hullerne på linje. Tryk på knappen i enden af sikringsstiftens og skub stiftens helt ind for helt at fastgøre SRL- (den selvopruellende livlines) samlingen på trefoden, davit-armen eller stigestolpen. Se Figur 27.

- Trin 5.** Træk kablet op over støttestrukturen og over taljeblokkene. Sæt sikkerhedsstifterne i igen nær taljeblokken for at forhindre kablet i at glide af taljeblokkene. Se Figur 28.

7.0 INSPEKTION

Denne i-Safe™ RFID-mærkat på SRL'en (A) kan bruges sammen med det håndholdte i-Safe aflæsningsapparat og en web-baseret portal til at gøre eftersyn og lagerstyring nemmere, og give relevant dokumentation for faldsikringsudstyret. Se Figur 29.

- **HYPPIGHED:** Efterse altid SRL'en (den selvoprullende livline) før brug i henhold til inspektionstrinene nedenfor. SRL'er (selvoprullende livliner) skal efterses af en kompetent person, som er forskellig fra brugeren, mindst en gang om året. Hvis du er førstegangsbruger, skal du kontakte en kundeservicerepræsentant, eller hvis du allerede er registreret, gå til: www.capitalsafety.com/isafe.html. Følg de anvisninger, som fulgte med din i-Safe håndholdte aflæser eller som er at finde på webportalen for at overføre dine data til din web log. Registrer resultaterne af hver inspektion i feltet Periodisk undersøgelses- og reparationshistorik i GIUM'en (5902392) eller brug i-Safe™ inspektionswebportalen til at vedligeholde dine inspektionsoptegnelser. Se også GIUM afsnit 4.

En optegnelse over årlige datoer for serviceeftersyn findes på SRL-mærkaterne (den selvoprullende livlines mærkater).

- ◇ **Efter faldstandsning:** Efterse belastningsindikatoren og hele SRL'en (den selvoprullende livline).
- ◇ **Efter brug af hentningsmodus:** Efter brug af anordningen til at løfte eller sænke, skal du efterse belastningsindikatoren og hele SRL'en (den selvoprullende livline). Anvendelser som kræver vedvarende hævnings og sænkning vil muligvis kræve øget inspektion og hyppigere serviceeftersyn. Kontakt Capital Safety hvis du har spørgsmål om inspektionshyppigheden.

ADVARSEL: Se GIUM 1.2, hvis SRL'en (den selvoprullende livline) er blevet anvendt til faldstandsning eller er blevet udsat for kraftpåvirkninger som f. eks. standsning af et fald.

VIGTIGT: Ekstreme arbejdsforhold (barsk miljø, langvarig brug) kan gøre det nødvendigt at øge inspektionshyppigheden.

• GENERELLE INSPEKTIONSTRIN:

- Trin 1.** Efterse anordningen for løse skruer, bolte og bøjede eller beskadigede dele.

Trin 2. Efterse anordningens hus for forvriddning, revner eller anden beskadigelse.

Kun UltraLok modeller: Sørg for at forankringsøjet ikke er beskadiget eller forvredet på nogen måde. Sørg for at forankringsøjet drejer frit.

Kun SB Serie: Sørg for at lænken bevæger sig frit og er fri for forvriddning, revner, grater og slidte dele. Sørg for at møtrikken er strammet helt.

Trin 3. Efterse belastningsindikatoren. Denne inspektion afhænger af typen af SRL (selvoprullende livline), som anvendes. Følg de detaljerede instruktioner for din SRL-type (selvoprullende livline-type):

- ◇ **UltraLok SRL'er (selvoprullende livliner) i stålkabel eller reb:** Se Figur 30. Efterse belastningsindikatoren (A). I "normal modus" (B), skal du kigge efter et blottet farvebånd (C) på kroge. Hvis kroge er i "indikeret modus" (D), har anordningen været udsat for fuld belastning.
 - **Bemærk:** Forsøg ikke at nulstille belastningsindikatoren. Drejeleddet vil ikke dreje frit i "indikeret modus."
- ◇ **SB SRL'er (selvoprullende livliner):** Se Figur 31. Kontroller den røde belastningsindikatoreknap (A), for at sikre dig, at den flugter med huset. Hvis knappen ikke flugter med huset, er blokken blevet udløst.
- ◇ **UltraLok SRL (selvoprullende livline) af remtøj:** Se Figur 32. Disse SRL'er (selvoprullende livliner) inkorporerer en belastningsindikator i livlinen af remtøj (A). Remtøjet nær enden af livlinen med kroge (B) er foldet tilbage og syet sammen med rød tråd, hvorved en lille løkke (C) dannes. Den syede løkke trækkes ud ved cirka 1,6 kN. Hvis den røde syning er intakt, er SRL'en (den selvoprullende livline) ikke blevet udsat for høj belastning. Hvis den røde syning er ødelagt og løkken revet over (D), har SRL'en (den selvoprullende livline) været udsat for høj belastning.
- ◇ **UltraLok Leading Edge SRL'er (selvoprullende livline):** Se Figur 33. 3504500 leading edge SRL'er (selvoprullende livliner) inkorporerer en integral energiabsorberende komponent. Efterse den energiabsorberende komponent for at bestemme, om den er blevet aktiveret. Der må ikke være tegn på strækning (B). Sørg for at dækslet på den energiabsorberende komponent (A) sidder fast og ikke er revet i stykker eller beskadiget.

ADVARSEL: Hvis inspektionen afslører en farlig defekt tilstand, skal SRL'en (den selvoprullende livline) øjeblikkeligt tages ud af service og et autoriseret servicecenter kontaktes.

Trin 4. Livlinen skal kunne trækkes helt ud og trækkes helt tilbage uden tøven, og uden at linen bliver slap. Livlinen skal være stram (under spænding). Sørg for at anordningen låser, når der pludseligt trækkes hårdt i livlinen. Låsning skal være fast uden slip.

Trin 5. Mærkaterne skal være til stede og helt læselige. Se supplementet til modellen.

Trin 6. Efterse hele enheden for tegn på korrosion.

Trin 7. Efterse livline.

◇ **Modeller med stålkabel:** Se Figur 34. Efterse livline for snit, kinker (A), brudte kabler (B), sammenpressede ydre kabellag (såkaldt fuglebur) (C), korrosion, svejseprøjt (D), områder med kemikaliekontakt eller alvorligt slidte områder. Skub kabelfangeren op og efterse ferruler for revner og beskadigelse, og efterse stålkablet for korrosion og ødelagte tråde.

- **Bemærk:** Udskift stålkabelsamlingen, hvis der er seks eller flere tilfældigt fordelte ødelagte tråde i et lag, eller tre eller flere ødelagte tråde i en streng i et lag. Et "lag" stålkabel er den længde stålkabel, der skal til for at en streng (de større grupper af tråde) kan nå en omgang eller snoning langs rebet. Udskift stålkabelsamlingen, hvis der er nogen ødelagte tråde inden for 25 mm af ferrulerne.

◇ **Modeller i remtøj eller syntetisk reb:** Se Figur 34. Efterse livline for koncentreret slid, trævlede strenge (E), ødelagt tråd, forbrænding (F), snit (G), og abrasion. Livlinen skal være fri for knuder i hele dens længde. Efterse for kraftig tilsmudsning (H), ansamlinger af maling og rustpletter. Se efter kemikalie- eller varmeskader i form af brune, misfarvede eller skrøbelige områder. Se efter skade fra ultraviolet lys i form af misfarvning og tilstedeværelse af splinter og fliser på livlinens overflade.

- Bemærk: Alle ovennævnte forhold vides at svække rebets styrke. Rebstyrke reduceres proportionalt med det tværsnitsomåde af rebet, som er beskadiget. Beskadigede reb eller reb af tvivlsom kvalitet skal udskiftes.

ADVARSEL: Undgå at binde livlinen sammen eller at binde knuder på den. Undgå at livlinen får kontakt med skarpe eller slibende overflader. Efterse hyppigt livlinen for snit, flossede kanter, forbrænding, eller tegn på kemikaliebeskadigelse. Snavs, urenheder og vand kan reducere livlinens dielektriske egenskaber. Udvis forsigtighed nær højspændingsledninger.

Trin 8. Efterse tilkoblingskroge, hvis relevant, for tegn på beskadigelse, korrosion og funktionstilstand. Drejeledet skal dreje frit.

Trin 9. Efterse reserve livlinens udrulning, hvis relevant, ved at kontrollere indikatorerne:

- ◇ **Livline modeller med stålkabel (undtagen SB serie):** Se Figur 35: A-Kabelføring; B-Kabelstop; C-Kabelføringsmuffe; D-Fanger. Se Figur 36: A-Reserve livline rødt bånd. Hvis et fald er blevet standset, mens det meste af livlinen var udtrukket, er det muligt, at reserve livlinen er blevet udløst. For at efterse for udløsning af reserve livlinen, træk livlinen ud af SRL'en (den selvoprullende livline), indtil den stopper. Hvis indikatoren med det røde bånd er synlig, er reserve livlinen blevet udløst. Hvis reserve livlinen ikke er blevet udløst, er den del acceptabel, og inspektionen kan fortsætte.
- ◇ **SB serie modeller:** Disse SRL'er (selvoprullende livliner) er ikke udstyret med en reserve livline.
- ◇ **UltraLok Web livlinemodeller:** Efterse udrulning af reserve livlinen. Hvis et fald er blevet standset med det meste af livlinen udrullet, er det muligt, at reserve livlinen er blevet udløst. Træk livlinen ud af SRL'en (den selvoprullende livline), indtil den stopper. Hvis reserve livlinens mærkat (F) kan ses, som vist på Figur 7, er reserve livlinen blevet udløst, og der skal foretages service på enheden af et autoriseret servicecenter inden genbrug. Hvis reserve livlinen ikke er blevet udløst, fortsæt med inspektionen.
- ◇ **Livlinemodeller af syntetisk reb:** Efterse udrulning af reserve livlinen. Hvis et fald er blevet standset, er det muligt, at reserve livlinen er blevet udløst. For at efterse for udløsning af reserve livlinen, træk livlinen ud af SRL'en (den selvoprullende livline), indtil den stopper. Hvis advarselmærkaten på reserve livlinen (A) er synlig, er reserve livlinen blevet udløst. Se Figur 37. Hvis reserve livlinen ikke er blevet udløst (reserve livlinens kabel ikke er synlig), er den del acceptabel, og inspektionen kan fortsætte.

VIGTIGT: Hvis indikatorer er synlige, skal der foretages service på enheden af et autoriseret servicecenter inden genbrug.

Trin 10. Efterse alle systemkomponenter og delsystemer i overensstemmelse med fabrikantens anvisninger.

- **INSPEKTIONSTRIN FOR HENTNINGSKOMPONENTER:**
(MODELLER 3400101, 3400102, 3400301, 3400302, 3400501, 3400502) Se Figur 2

Trin 11. Efterse hentningsarmen (A) for forvridning eller anden beskadigelse. Hentningshåndtag (B) skal let kunne sættes i indgreb i hentningsarmen, og trykknappen skal fungere frit.

Trin 12. Skifte­kug­le­greb (F) skal dreje frit ved aktivering/de­aktivering. Pull ringen (D) på skifte­kug­le­grebet skal springe tilbage, når den slippes.

Trin 13. Kontroller funktionen af hentningsmodus. Den testes ved at hæve og sænke en testvægt (sandpose) på mellem 34 kg og 141 kg. Hentningsfunktionen skal være rolig og jævn. Når hentningshåndtaget (B) slippes, skal vægten ikke flytte sig, og hentningshåndtaget skal blive i sin position (ingen bevægelse). Der skal tydeligt høres en "klikkende" lyd, når et læs løftes.

Trin 14. Paldækslet (H) (se Figur 3) skal sidde sikkert fast og være uden misdannelser. Det valgfrie monteringsbeslag skal sidde sikkert fast på SRL'en (den selvopruhlende livline) og være uden defekter. Sikringsstiften skal fungere korrekt.

- **INSPEKTIONSTRIN FOR HENTNINGSKOMPONENTER:**
(MODELLER 340854 OG 340855) Se Figur 4

Trin 11. Efterse hentningsarmen (E) for forvriddning eller anden beskadigelse. Sørg for at hentningshåndtaget (A) kan drejes ud og fastgøres i håndsvingspositionen.

Trin 12. Sørg for at låseskruen (D) kan strammes helt.

Trin 13. Sørg for at skifte­kug­le­grebet (C) kan trækkes ud til den ulåste position og derefter slippes, så krumtapparmen låses (E) i både den aktiverede og deaktiverede position.

Trin 14. Test hentningsmodusen for korrekt funktion ved at hæve og sænke en testvægt på mellem 34-141 kg (sandpose). Hentningsfunktionen skal være rolig og jævn. Når hentningshåndtaget (A) slippes, skal vægten ikke flytte sig, og hentningshåndtaget (A) skal blive i sin position (ingen bevægelse). Der skal tydeligt høres en "klikkende" lyd, når læsset løftes.

- **PROCEDURE FOR DEFEKT TILSTAND:** Se GIUM afsnit 1.2.

VIGTIGT: Kun Capital Safety eller parter, der har skriftlig autorisation, må reparere dette udstyr.

8.0 PRODUKTETS LEVETID

Så længe SLR'en godkendes ved inspektionen, der foretages af en kvalificeret person¹, må den fortsat bruges. Se GIUM 4.2 og afsnit 1.16 for garantiinformationer.

¹ Kvalificeret person: En person, som har viden om en fabrikants anbefalinger, anvisninger og fabrikerede komponenter, som er i stand til at identificere eksisterende eller forudsigelige faremomenter ved korrekt valg, anvendelse og vedligeholdelse af faldsikringsudstyr.

9.0 VEDLIGEHOJDELSE, OPBEVARING, TRANSPORT (Se GIUM afsnit 3)

• **VEDLIGEHOJDELSE**

- ◇ Placer SRL'en (den selvoprullende livline), så overskydende vand kan løbe ud.
- ◇ Rengør mærkaterne efter behov.
- ◇ Følg GIUM afsnit 3.1 og 3.2. Overdreven ophobning af snavs, maling etc. kan forhindre livlinen i at trække sig helt tilbage i huset, hvilket muligvis kan udgøre en risiko ved frit fald. Udskift livlinen, hvis der er forekommet overdreven sådan ophobning.
- ◇ Smør ikke delene.

ADVARSEL: Hvis livlinen kommer i kontakt med syrer, skal enheden tages ud af service og vaskes med vand og en mild sæbeopløsning. Efterse enheden inden den tages i brug igen.

- **OPBEVARING:** Se GIUM afsnit 3.3. Efterse altid SRL'en (den selvoprullende livline) grundigt efter længere opbevaring.
- **TRANSPORT:** Se GIUM afsnit 3.4.

10.0 SERVICE

Udskiftning af livlinen, såvel som yderligere vedligeholdelses- og serviceprocedurer skal foretages af et autoriseret servicecenter. Capital Safety skal have udstedt et autorisations- og returneringsnummer. SRL'en (den selvoprullende livline) må ikke skilles ad. Se afsnit 7.0 for inspektionshyppigheden.

11.0 SPECIFIKATIONER OG MÆRKATER (SE SUPPLEMENT TIL MODEL)

12.0 TERMINOLOGI

REDDER: Person eller personer andet end den person, der reddes, som handler for at foretage assisteret undsætning ved brug af et redningssystem.

KOMPETENT PERSON: Se GIUM afsnit 16.

NO SPESIFIKKE INSTRUKSJONER - SELVINTREKKENDE LIVLINER

Du har nettopp kjøpt en personlig verneutstyr (PVU)-enhet fra Capital Safety som sørger for fallsikring av personer som arbeider i høyden. Takk for at du setter din lit til utstyret vårt. For å oppnå sikkerheten og komforten du forventer bør du ta vare på og følg alle instruksjoner. Alle brukere og redningsarbeidere (se del 12 terminologi) må lese denne manualen før bruk.

Se "ordliste" i Generelle instruksjoner for bruk og vedlikehold (GIBV) for identifisering av nummererte deler i en hvit boks.

1.0 FORMÅL/BESKRIVELSER

Capital Safety selvinntrekkende livliner (Self Retracting Lifelines (SRL)) er komponenter i personlige fallstoppsystemer (personal fall arrest systems (PFAS)). Disse systemene inkluderer typisk en full kroppssele, forankringskobling (dvs. karabin) og SRL. Bruk i situasjoner hvor arbeidermobilitet og fallbeskyttelse er påkrevd (inspeksjonsarbeid, generell konstruksjon, vedlikeholdsarbeid, oljeproduksjon, arbeid i plassbegrensede områder osv.).

Noen modeller har et tilbaketrekkingsvalg*. Disse modellene har standard fallstoppevner når brukt i deres ikke-tilbaketrekkingsmodus. I tilbaketrekkingsmodus kan disse modellene brukes for nødberging (heving eller senking) av personell innen kapasitetsområdet oppgitt nedenfor. Det er også tillatt å bruke tilbaketrekkingsmodeller for heving og senking av materialer innen det oppgitte kapasitetsområdet.

- **FORSEGLEDE SRLer:** Capital Safety forseglede SRLer bruker en patentert forseglingsteknologi som skiller alle dynamiske komponenter fra fremmede elementer som smurning, fuktighet og smuss for trygg drift under alle arbeidsforhold. Se figur 1: A-forankringshåndtak, B-instruksjonsmerke, C-hylse, D-støtindikatormerke, E-ID-merke, F-kabelfører, G-livline, H-støtdemper, I-beslag, J-selvlåsende karabinkrok.
 - ◇ **Forseglede SRLer med tilbaketrekkingsfunksjon:** Se figur 2: A-tilbaketrekkingsarm, B-tilbaketrekkingshåndtak, C-håndtaks-pakkingsbrakett, D-åpningsring, E-driftsmerke, F-skifteknapp, G-tilbaketrekkingsmerke, H-sperredeksel, I-momentbegrensningsmerke.
- **SEALED-BLOK™ SRLer :** Inkluderer støpt aluminiumshylse og grove endeplater av rustfritt stål eller aluminium, anti-sperrebremse, innebygd bærehåndtak (forenkler transport og gir et sekundært "mistede objekter-beskyttelse" festepunkt), stort dreibart forankringshåndtak og selvlåsende sivelkrok med støtindikator. Se figur 3: A-forankringshåndtak, B-hylse, C-instruksjonsmerke, D-kabelfører, E-ID-merke, F-livline, G-støtdemper, H-RFID-etikett; I-selvlåsende karabinkrok.
 - ◇ **Sealed-Blok™ SRLer med tilbaketrekking:** Se figur 4:

A-tilbaketrekkingshåndtak, B-tilbaketrekkingsmerke, C-skiftknapp, D-låseskrue, E-tilbaketrekkingsarm (sveiv), F-vinsj bruksmerke, G-RFID-merke.

VIKTIG: Tilbaketrekkingsutstyr er kanskje ikke passende for bruksområder som krever at det ofte eller kontinuerlig brukes som materiellvinsj. Rådspør Capital Safety før produktet brukes til dette. Tilbaketrekkingsmodellene er ikke designet for å brukes til universell arbeidsplassering eller personalfraktende anvendelsesområder.

- **ULTRA-LOK® SRLer:** Capital Safety Ultra-Lok® SRLer leveres med en holdbar glass-fylt polyuretan-hylse, stålkabel eller ribbet livline og aluminium sideplater for maksimal holdbarhet og minimal vekt. Systemene har et antisperre dobbelskivebremsesystem med en lydindikator for å la deg vite at den fungerer korrekt.
- ◇ **ULTRA-LOK® KABEL- & SYNTETISK TAU-TYPE SRLer:** Inkluderer forankringspunkt med dreibart øye, selvlåsende dreibar karabinkrok med støtindikator, og valg mellom livliner i galvanisert eller rustfri stålkabel, eller syntetisk tau. Stålkabel livlinelengder er tilgjengelige i 6,1, 9,1, 15,2 og 25,9 m. Syntetisk tau livlinelengder er tilgjengelige i 6,1, 10,7 og 16,8 m. Se figur 5: A-dreibart øye; B-inspeksjonsmerknadsmerke, C-advarselsmerke, D-Ultra-Lok-merke, E-ID-merke, F-koblingsmerke, G-kabel eller syntetisk rep; H-støtdemper; I-RFID-etikett; J-RFID-etikett; K-selvlåsende krok.
- ◇ **FORKANT-SRLer:** Inkluderer forankringspunkt med dreibart øye, selvlåsende dreibar karabinkrok med støtindikator, integrert støtpakke, og 9,1 m galvanisert stålkabel livlinje. Se figur 6: A-dreibart øye; B-inspeksjonsmerknadsmerke, C-advarselsmerke, D-Ultra-Lok-merke, E-koblingsmerke; F-stålkabel; G-RFID-etikett; H-støtdemper; I-selvlåsende karabinkrok.
 - **Merk:** Capital Safety SRL modell 3504500 er laget for bruk i områder hvor fall kan skje over en kant, som tak, forkantkonstruksjon, osv. Denne modellen er spesielt passende for bruk med et fallstoppsystem med Capital Safety forankringskoblinger tiltenkt for forkantarbeide. Vi anbefaler 2105503 dreibart betongtakanker.
- ◇ **ULTRA-LOK® RIBBET STIL SRLer:** Inkluderer forankringspunkt med dreibart øye, selvlåsende karabinkrok og 2,54 cm bredt nylonribbet livline i lengder på 3,4 m og 6,1 m. Se figur 7: A-dreibart øye; Merker: B-advarsel, C-ID, D-støtindikator, E-koblinger, F-revers livline; G-RFID-etikett; H-ribbet livline; I-indikatorfals; I-koblingskrok.
- **SB-SERIE SRLer:** Inkluderer grov støpt aluminiumhylse, antisperre skivebremsesystem, dreibar stålførankringskjetting av høy styrke, reservelivlineretensjon og selvlåsende dreibar

karabinkrok med støtindikator. Se figur 8: A-kjetting; B-støtindikator, C-SALA-merke, D-støtindikatormerke, E-advarselsmerke, F-spesifikasjonsmerke, G-instruksjonsmerke (venstre side), H-ID-merke, I-instruksjonsmerke (høyre side); J-stålkabel; K-RFID-etikett; L-tåreformet bøssing; M-selvlåsende dreibar karabinkrok; N-krokvalg.

VIKTIG: Se GIBV del 1.1 og 1.3 før bruk av dette utstyret.

VIKTIG: Registrer produktidentitetsinformasjonen fra ID-merket (1) på produktidentitetsarket i slutten av denne bruksanvisningen før utstyret tas i bruk.

2.0 KRAV: Montering og bruk av dette utstyret er innskrenket av følgende begrensninger:

- **KAPASITET:** En person. For fallstoppbruk må aldri mer enn én person være koblet til en enkelt SRL. Tilbaketrekkingsbruk kan variere mellom hver modell. Se modelltillegg for mer informasjon.
- **LÅSEHASTIGHET:** Situasjoner som ikke muliggjør en fallbane uten hindringer bør unngås. Eksempler inkluderer: jobbing i begrensede eller trange områder, på materiale som glir sakte (som sand eller korn) eller på et lavthellende tak hvor en arbeider kan skli av i stedet for å falle. Disse situasjonene kan muligens føre til at kroppen ikke oppnår tilstrekkelig hastighet til at SRLen låses dersom et fall skjer. For at SRL skal låses sikkert, trengs det en åpen bane for fallet.
- **MILJØRELATERTE OG FYSISKE FARER:** Bruk av dette utstyret i områder med miljørelaterte farer kan kreve ekstra forholdsregler for å redusere muligheten for skade på brukeren eller utstyret. Farer kan inkludere, men er ikke begrenset til:
 - ◇ **Korrosjon:** Ikke etterlat dette utstyret for lengre perioder i miljøer hvor korrosjon av metalldele kan oppstå som et resultat av damper fra organiske materialer. Utvis forsiktighet når det arbeides rundt kloakk eller gjødsel pga. deres høye konsentrasjon av ammoniakk, som er svært korroderende. Bruk i nærheten av sjøvann eller andre tærende miljøer kan gjøre det nødvendig med hyppigere inspeksjoner eller service for å sikre at produktets drift ikke påvirkes av korrosjonsskader.
 - ◇ **Kjemisk:** Løsninger som inneholder syrer, alkali eller andre kaustiske kjemikalier kan, spesielt ved høyere temperaturer, skade DBISALA SRLer. Ved arbeid med slike kjemikalier må inspeksjon av hele SRLen utføres ofte. Kjemisk skade på livlinen er vanskelig å oppdage og det anbefales at livlinen periodisk blir byttet ut for å sørge for sikkerhet. Livlinen skal kun byttes ut av et autorisert servicesenter.

- ◇ **Varme:** Dette utstyret er ikke designet for bruk i miljøer med høye temperaturer. Sørg for beskyttelse for dette utstyret når det brukes nær sveising, metallkutting eller lignende aktiviteter. Varme gnister kan brenne eller skade utstyret.
 - **Merk:** Livliner av syntetisk tau er ikke flammesikre og må ikke utsettes for ekstrem varme. Ikke bruk følgende i miljøer eller kontaktoverflater over den spesifikke temperaturen gitt:
 - *Spectra-tau til 60° C*
 - *Vectran-tau til 120° C*
- ◇ **Elektrisk:** Pga. muligheten for at elektrisitet kan strømme gjennom stålkabel-livlinen, må ekstrem forsiktighet utvises når det arbeides nær høyspenningslinjer.

Ta kontakt med Capital Safety hvis du har spørsmål om bruk av utstyret på steder med miljørelaterte eller fysiske farer.

VIKTIG: Se gjeldende standarder angående dette utstyret for mer informasjon om personlig fallstopp- eller dempersystemer og tilknyttede systemkomponenter.

- **KOMPONENTENES KOMPATIBILITET:** Dette utstyret er konstruert kun for bruk med Capital Safety-godkjente komponenter eller undersystemer. Se også GIBV del 1.12.
- **KOMPATIBILITET FOR KOBLINGER OG FESTING:** Koblinger (kroker, karabinkroker, D-ringer) må kunne bære minst 22 kN. Koblingene må være kompatible med forankringen og andre systemkomponenter og oppfylle EN362-standardene. Se figur 9: A-forankring; B-kobling; C-forankringskobling, D-monteringsbrakett; E-tripod-ben. Se også GIBV del 5 og figurer for EN362.
- **FORANKRINGSSTYRKE:** Påkrevd forankringsstyrke er avhengig av bruksområdet. Ankre må oppfylle kravene for EN795. Se også GIBV del 1.12.
- **HORISONTALT SYSTEM:** Ved bruksområder hvor SRL brukes i forbindelse med et horisontalt system (dvs. horisontale I-bjelke og tralle), må SRL og horisontale systemkomponenter være kompatible. Horisontale systemer må designes og installeres under overvåking av en kvalifisert ingeniør.
- **VALGFRITT TILBAKETREKKINGSSYSTEM:** Ved bruk av SRL med et valgfritt tilbaketrekkingsystem, sikre at støttestrukturen (dvs. tripod, davitarm) er kompatibel med koblingen, driften, stabiliteten og styrken for SRL. Se figur 10-valgfri modell 3400614: A-sekskantet låsemutter, M12 x 1,75, forsinket; B-sekskantbolt, M12 x 1,75 x 25 cm, metrisk mutter klasse 8.8, forsinket; C-monteringsoverflate; D-bruk pakninger som påkrevd;

E-pakning, 12 mm, forsinket, 5 typisk; F-sekskantbolt, M12 x 1,75 x 8 cm, metrisk mutter klasse 8.8, forsinket.

3.0 OPPLÆRING

Det er brukerens ansvar å forstå denne veiledningen og å være opplært i riktig montering, bruk og vedlikehold av dette utstyret. Denne brukerveiledninger er ikke en erstatning for et opplæringsprogram.

VIKTIG: Les GIBV del 1.1 om opplæring.

4.0 PLANLEGGING

FØR HVER BRUK: Les GIBV del 1.1 "Før hver bruk" og kontroller SRLen nøye for å sikre at den er i god stand ved å følge trinnene i del 7.0. Gjør i tillegg følgende:

- Sikre at alle boltene er tilstede og sikre.
- Dra ut linjen og la den trekkes sakte inn. Dersom det er noen nøling i inntrekkingen, bør enheten returneres til Capital Safety for service.
- Sjekk låsehandlingen ved å dra hardt i linjen.
- Det skal ikke brukes hvis en inspeksjon avslører utrygge forhold.

VIKTIG: Les GIBV del 1.3, 1.4, 1.12 når du planlegger systemet ditt.

PLANLEGGING: Planlegg fallsikringssystemet før du begynner å arbeide. Vurder faktorer som kan påvirke sikkerheten din før, under og etter et fall. Den følgende listen gir noen viktige punkter å vurdere:

- **FORANKRING:** Velg et fast forankringspunkt (se figur 9). Se mer om forankringsstyrke i del 2.0. Velg forankringsstedet nøye for å minske frittfall- og svingfallfarer. Valgfri montering for tilbaketrekkingssystemer dekkes i del 2.0.

VIKTIG: Kun SRLer som kan brukes i en horisontal modus (indikert med merker), slik som forkant-SRL, kan forankres ved fotnivå eller høyere. Se figur 12. Alle andre SRLer må forankres over fullstendig kroppsselefestet (indikert med merker). Se figur 11

- **SVINGFALL:** Svingfall oppstår når forankringspunktet ikke er rett over stedet der fallet finner sted. Se figur 13. Kraften ved sammenstøt med en gjenstand i et svingfall kan medføre alvorlig skade eller død. I et svingfall vil den totale vertikale fallavstanden være større enn om brukeren hadde falt direkte under forankringspunktet, noe som øker den totale frittfall-avstanden og avstanden påkrevd for å trygt stoppe brukeren. SRLen vil aktivere uansett dens orientering i forhold til brukeren. Gå gjennom

ditt spesifikke bruksområde for å avgjøre hva den passende arbeidssonen bør være. Minimer svingfall ved å arbeide så direkte nedenfor forankringspunktet som mulig. Ikke gjør svingfall mulig hvis skade kan oppstå. Hvis dine formål innebærer en fare for svingfall, bør du ta kontakt med Capital Safety før du begynner.

- **FALLKLARERING:** Sørg for at tilstrekkelig klarering finnes i fallbanen din for å unngå å treffe et objekt. Minimumsklareringen er 4,5 m fra bakre D-ringnivå til neste forhindreingsnivå eller objekt. Se figur 14. Ytterligere klarering kreves dersom potensielt svingfall er tilstede.
- **SKARPE KANTER:** Unngå arbeid hvor livlinen vil være i kontakt med eller skrape mot ubeskyttede skarpe kanter. Sørg for beskyttelse for livlinen når mulig. En energi-absorberende komponent kan noen ganger legges til in-line for å ytterligere beskytte arbeideren. Hvis dette gjøres bør man først ta kompatibilitet og fallets totale distanse i betraktning. Kontakt Capital Safety før bruk av en in-line energi-absorberende komponent eller taljerep med en SRL.

VIKTIG: *Selv om Forkant-SRL (modell 3504500) gir ytterligere beskyttelse ved fall over kanter, må beskyttelse mot kutting sørges for ved arbeid nært ekstremt skarpe kanter som klippet, kaldvalset eller flammekuttet stål. Kantbeskyttelse er ikke påkrevd over kanter som varmvalset stål, stållag, betong eller tre.*

- **REDNING:** Dersom et fall oppstår, må arbeidsgiveren ha en redningsplan og muligheten til å gjennomføre en redning.
- **ETTER ET FALL:** Utstyr som har vært utsatt for fallstoppkrefter må tas ut av service for inspeksjon. Se del 7.
- **ANDRE HENSYN:** Unngå å arbeide på steder hvor linen kan krysse eller floke seg med andre liner eller objekter. Ikke la linjen gå under armer eller mellom ben. Livlinen må aldri klemmes, knytes eller på noen annen måte hindres i å trekkes inn eller spennes. Unngå slakk linje. Ikke vikle forbindelseslinjen rundt små strukturelle ledd.

VIKTIG: *Les og forstå produsentens instruksjoner for tilknyttet utstyr (som full kroppssele) brukt i ditt personlige fallstoppssystem.*

VIKTIG: *For spesielle (spesiallagde) versjoner av dette produktet, følg instruksjonene gitt i denne manualen. Se bilag, hvis inkludert, for ytterligere instruksjoner ved bruk av et spesiallaget produkt.*

5.0 MONTERING OG INSTALLASJON

- **KROPPSSTØTTE:** Ved bruk av Capital Safety SRLer må en full kroppssele (EN361) bæres. Ved generell bruk for fallbeskyttelse,

koble den bakre D-ringen mellom skuldrene.

- ♦ **Tilbaketrekkingsoperasjoner:** Det anbefales at en full kroppssele brukes for å berge offeret, forutsatt at deres medisinske tilstand tillater en slik berging. Modeller er tilgjengelige med tilbaketrekkingskoblinger (skulder-D-ringer) på toppen av skuldrene for å hjelpe til ved bergingsoperasjoner.

ADVARSEL: Støttebelter er ikke tillatt for frittfallsituasjoner. De øker risikoen for personskader ved stopping av fall i forhold til en helkroppssele. Støttebelter gir begrenset tid som man kan henge og muligheten for å bruke dem feil kan føre til større fare for brukerens helse. Se også GIBV del 2.0

- **GJØRE KOBLINGER:** Ved bruk av en krok eller karabiner for å lage en kobling, sikre at utrulling ikke kan forekomme. Se del 2.0, "Koblingskompatibilitet." Se figur 15. Bruk en låsbar karabinkrok (A) som vil lukke fullstendig over forankringen (B) eller forankringskoblingen (C). Det anbefales at modell 340614 festes til en struktur i en fast posisjon (i motsetning til hengende) med den leverte jernvaren. Monteringsoverflaten bør møte forankringsstyrke-kravene i del 2.0, "Forankringsstyrke". Følg produsentens instruksjoner levert med hver system komponent.

6.0 BRUK

Se figur 16. Koble SRL (A) til en passende forankring (B). Koble den selvlåsende karabinkroken (C) til fallstoppen eller stigeplatrefestet (D) på den fulle kroppsselen (E). Se figur 17. Sørg for at koblingene er kompatible og at kroken er fullstendig lukket og låst. Når festet er sikret, er arbeideren fri til å bevege seg innen det anbefalte arbeidsområdet i normale hastigheter. Livlinen bør trekkes mykt ut og trekkes inn uten nøling. Livlinen bør forbli stram til enhver tid under normal bruk. Dersom slakk linjetilstand oppstår under normal bruk, bør enheten returneres til Capital Safety for service. Dersom et fall oppstår, vil SRLen låse og stoppe fallet.

ADVARSEL: Ta SRLen ut av bruk ved redninger. Se GIBV del 1.2.

Kontroller som beskrevet i del 7.0, "Etter fallstopp." Ved arbeid med en SRL, la alltid livlinen trekkes tilbake i apparatet under kontroll. En kort tagline kan være påkrevd for å dra ut eller trekke inn livlinen under tilkobling og frakobling. Å la livlinen være fullstendig dratt ut for lengre tidsperioder kan føre til for tidlig svekking av tilbaketrekkingsfjæren.

- **DRIFT AV TILBAKETREKKINGSSYSTEM (MODELLENE 3400101, 3400102, 3400301, 3400302, 3400501, 3400502)**
Figur 17 viser hvordan tilbaketrekkingsmodus aktiveres. Fjern tilbaketrekkingshåndtaket på baksiden av SRLen ved å trykke utløsningsknappen på toppen av håndtaket og dra oppover.

Sett pinnen inn i hullet på enden av tilbaketrekkingsarmen. Roter armmonteringen til siden for å få adgang til skiftknappen. Løft draringen (på skiftknappen) og roter den mot klokken 1/8 omdreining og slipp. Roter tilbaketrekkingsarm med klokken for å hjelpe innkoplingen. **Skiftknappen bør bevege seg innover og rotere til en låst posisjon når drivverket er fullt innkoplet.**

- ◇ **For å heve:** Roter tilbaketrekkingsarmen mot klokken.
- ◇ **For å senke:** Roter tilbaketrekkingsarmen med klokken. Hold livlinen stram til enhver tid (34 kg minimum).

VIKTIG: En minimumsbelastning på 34 kg er påkrevd for å senke eller for å fire ut linjen.

VIKTIG: Dersom et fall inntreffer i fallstopmodus og arbeideren må senkes til sikkerhet, hev arbeideren litt for å løse ut låsesperrehakene og senk arbeideren.

VIKTIG: Ikke fortsett å rotere tilbaketrekkingsarmen i senketretningen etter at kabela er strukket helt ut. Fjærskade kan oppstå.

- ◇ **Deaktivering av tilbaketrekkingsmodus:** Fjern belastning fra livlinen. Roter skiftknappen mot klokken 1/8 omdreining, dra ringen ut, roter skiftknappen med klokken 1/8 omdreining. Slipp draringen. Fjern tilbaketrekkingshåndtak fra tilbaketrekkingsarm og lagre den i lagringsbraketten. Sett inn tilbaketrekkingshåndtakets pinne gjennom håndtaket og inn i lagringsbraketten.
- ◇ **Tilbaketrekking overbelastningsfunksjon:** SRLer med tilbaketrekkingsfunksjonen (som vist i figur 17) er utstyrt med en overbelastningclutch som beskytter drivverkskomponentene og personen som heves fra overdreven kraft. Denne samme funksjonen yter støtdemping for brukeren dersom et fall inntreffer mens tilbaketrekkingsmodus er aktivert. Overbelastningsclutchen er satt til å slippe på omtrent 227 kg for å gi rom for nødbergingsbruk hvor ytterligere løftekapasitet er påkrevd.

VIKTIG: Kapasitet for tilbaketrekkingsdrift er 210 kg.

VIKTIG: Bruk av tilbaketrekkingssystemet ved belastninger over klassifisert kapasitet reduserer den samlede sikkerhetsfaktoren. Enhver enhet som har vært brukt over klassifisert kapasitet må tas ut av bruk og returneres til Capital Safety for inspeksjon.

- ◇ **Montering av tilbaketrekkingsmodeller:** SRL tilbaketrekkingsmodeller som vist i figur 1 og 2 kan brukes med valgfrie

braketter (Capital Safety delenumre 3401123 og 3401090) for montering til Capital Safety tripod, davitarm, eller stigemast. Følg trinnene nedenfor for montering og bruk av disse brakettene.

VIKTIG: Dersom motsvarende brakett for tripodben ikke er festet, plasser spennplatemontering på ønsket sted på benet og stram boltene til 20 Nm. Ikke stram for mye.

- Trinn 1.** Fest braketten til SRLen ved å sette de to leverte boltene gjennom hullene i SRL-hylsen. Fest mutre og sikre. Se figur 18.
- Trinn 2.** Etter at braketten er sikret til SRLen, plasser SRL brakettmontering motsvarende brakett på tripod, davitarm eller stigemast. Sporet på enden av SRL-braketten glir på pinnen som stikker ut på hver side av den motsvarende braketten. Plasser tripodbenbraketten som påkrevd for korrekt driftshøyde. Se figur 19.
- Trinn 3.** Med monteringen hvilende på pinnen, drei toppen av SRLen innover for å rette inn hullene. Trykk inn knappen på enden av stoppehakepinne og trykk pinnen helt inn for å sikre SRL-monteringen til tripod, davitarm eller stigemast. Se figur 20.
- Trinn 4.** Dra kablet ut og opp støttestruktur og over trinser. Sett tilbake sperrehakepinne nær trinsen for å hindre kablet fra å gli av trinsene. Se figur 21. Figurene 22 og 23 viser et fullført feste.
- **BRUK AV TILBAKETREKKINGSSYSTEM (MODELL 340854 OG 340855) (EN360:2002 OG EN1496:2006 KLASSE A, B):** Figur 4 identifiserer nøkkelkomponenter i tilbaketrekkingsystemet. For å aktivere tilbaketrekkingsmodus, roter låseskruen (D) fullstendig ned for å frigjøre sveivearmen (E). Drei håndtaket (A) ut fra lagringsposisjon. For å aktivere vinsjen, dra og hold skiftknappen (C) i ulåst posisjon. Dytt sveivearmen (E) inn til aktivert posisjon og slipp skiftknappen (C). Dersom det er nødvendig, roter sveivearmen med klokken (senking) for å hjelpe med aktivering av tannhjul.
 - ◇ **For å heve:** Roter sveivearmen mot klokken. Bergingsløfteapparatet skal kun brukes dersom en uhindret løfteprosess er mulig og det skal ikke brukes dersom hindringer representerer en fare.
 - ◇ **For å senke:** Sveiv først sveivearmen mot klokken for å få fallstoppbremsen til å slippe og sveiv deretter med klokken. Senkefunksjonen er kun tiltenkt for å senke en person over en maksimal avstand på 2 m.

VIKTIG: En minimumsbelastning på 34 kg er påkrevd for å senke eller for å fire ut linjen. En maksimal belastning for dette apparatet er 141 kg. En kraft på opptil 13 kg kreves på tilbaketrekkingshåndtaket for å bruke vinsjen når lastet til kapasitet. I tillegg bør det alltid være direkte eller indirekte visuell kontakt eller noen annen form for kommunikasjon med den bergede til enhver tid under bergingsprosessen.

FORSIKTIG: Stopp sveiving når linjen er fullt firet ut eller trukket tilbake. Fortsatt sveiving kan skade komponenter.

- ◇ **Deaktivering av tilbaketrekkingsmodus:** Fjern belastning fra livlinen. Dra og hold skiftknappen i ulåst posisjon. Dra sveivearmen ut til deaktivert posisjon og slipp skiftknappen. Sikre sveivearmen med låseskruen. Dra ut tilbaketrekkingshåndtaket og roter håndtaket til lagret posisjon.
- ◇ **Tilbaketrekking overbelastningsfunksjon:** Vinsjer på SRL-modellene (som vist i figur 4) har ikke en overbelastningsclutch for å begrense kraften rettet mot drivverkskomponentene og personen som heves. Forsiktighet må utvises for å unngå slakk line i bergingsmodus. I tillegg må individet overvåkes under tilbaketrekking for å sikre at de ikke setter seg fast og utsettes for overdreven kraft fra fortsatt løfting.

VIKTIG: Bruk av tilbaketrekkingsystemet ved belastninger over klassifisert kapasitet reduserer den samlede sikkerhetsfaktoren. Enhver enhet som har vært brukt over klassifisert kapasitet må tas ut av bruk og returneres til Capital Safety for inspeksjon.

- ◇ **Montering av tilbaketrekkingsmodeller:** SRL tilbaketrekkingsmodeller (som vist i figurene 3 og 4) kan brukes med en valgfri brakett (modell 3401025) for montering til Capital Safety tripod, davitarm eller stigemast. Følg trinnene nedenfor for montering og bruk av disse brakettene.

VIKTIG: Dersom motsvarende brakett for tripodben ikke er festet, plasser spennplatemontering på ønsket sted på benet og stram boltene til 20 Nm. Ikke stram for mye.

- Trinn 1.** Fjern de tre sett skruene som tetter igjen hullene på siden av SRL-hylsen. Se figur 24.
- Trinn 2.** Fest braketten til SRLen ved å sette de tre boltene gjennom hullene i SRL-hylsen. Se figur 25.
- Trinn 3.** Etter at braketten er sikret til SRLen, plasser SRL brakettmontering motsvarende brakett på tripod, davitarm eller stigemast. Sporet på enden av SRL-braketten glir på pinnen som stikker ut på hver side av motsvarende stigemast-, davitarm- eller

tripodbenbrakett. Plasser tripodbenbraketten som påkrevd for korrekt driftshøyde. Se figur 26.

Trinn 4. Med monteringen hvilende på pinnen, drei toppen av SRLen innover for å rette inn hullene. Trykk inn knappen på enden av stoppehakepinne og trykk pinnen helt inn for å sikre SRL-monteringen til tripod, davitarm eller stigemast. Se figur 27.

Trinn 5. Dra kabela ut og opp støttestruktur og over trinser. Sett tilbake sperrehakepinne nær trinsen for å hindre kabela fra å gli av trinsene. Se figur 28.

7.0 INSPEKSJON

i-Safe™ RFID-etiketten på SRLene (A) kan brukes sammen med den håndholdte i-Safe-avleseren og den nettbaserte portalen for å forenkle inspeksjon og lagerstyring og for å gjøre registreringer for fallsikringsutstyret. Se figur 29.

- **FREKVENNS:** Inspiser SRLen i henhold til inspeksjonstrinnene nedenfor før hver bruk. SRLer må inspiseres av en kompetent person, annen enn brukeren, minst en gang årlig. Kontakt en kundeservicerepresentant dersom du er en førstegangsbruker eller, dersom du allerede har registrert, gå til: www.capitalsafety.com/isafe.html. Følg instruksjonene som kom med i-Safe håndholdt leser eller på nettportalen til å overføre data til nettløgen din. Skriv ned resultatene for hver formelle inspeksjon i Periodisk undersøkelse og reparasjonshistorikk i GIBV (5902392) eller bruk i-Safe™ inspeksjonswebportal for å ivareta dine inspeksjonsopptegnelser. Se GIBV del 4.

En fortegnelse over årlige servicedatoer finnes på SRL-merkelappene.

◇ **Etter fallstopp:** Undersøk laststøtindikator og hele SRL.

◇ **Etter bruk av tilbaketrekkingsmodus:** Etter heving eller senking, undersøk laststøtindikator og hele SRL. Bruksområder som krever kontinuerlig heving og senking kan gjøre det nødvendig å foreta inspeksjon og service oftere. Kontakt Capital Safety dersom du har noen spørsmål angående inspeksjonsfrekvens.

ADVARSEL: Se GIBV 1.2 dersom SRLen har vært utsatt for fallstopp eller støtkraft.

VIKTIG: Ekstreme arbeidsforhold (barskt miljø, langvarig bruk) kan gjøre det nødvendig å foreta inspeksjoner oftere.

- **GENERELLE INSPEKSJONSTRINN:**

- Trinn 1.** Kontroller for løse skruer, bolter og bøyde eller skadde deler.
- Trinn 2.** Kontroller hylsen for fordreininger, sprekker eller andre skader.

Kun Ultra Lok-modeller: Sjekk at det dreibare øyet ikke er skadet eller fordreid på noen måte. Sikre at det dreibare øyet dreier fritt.

Kun SB-serien: Sikre at kjettingen beveger seg fritt og ikke har noen fordreininger, skader, knuter og slitte deler. Sikre at mutteren er tilstrekkelig stram.

- Trinn 3.** Inspiser laststøtindikatoren. Denne inspeksjonen er avhengig av typen SRL brukt. Følg de detaljerte instruksjonene for din SRL-type:

- ◇ **Ultra Lok kabel og tau-stil SRLer:** Se figur 30. Inspiser støtindikatoren (A). I "normal modus" (B) bør du se etter det avdekkede fargebåndet (C) på kroken. Dersom kroken er i "indikert modus" (D) har en støtbelastning funnet sted.
 - **Merk:** Ikke forsøk å nullstille støtindikatoren. Svivel vil ikke dreie fritt i "indikert modus".
- ◇ **SB SRLer:** Se figur 31. Sjekk den røde støtindikatorknappen (A) for å sikre at den er jevn med hylsen. Dersom knappen ikke er jevn med hylsen har blokken vært tatt i bruk.
- ◇ **Ultra Lok ribbet stil SRLer:** Se figur 32. Disse SRLene har en støtindikator på den ribbede livlinen (A). Ribben nær krokenden (B) på livlinen er brettet over seg selv og heftet med rød tråd, og former en liten løkke (C). Den heftede løkken vil dras ut ved omtrent 1,6 kN. Dersom den røde heftingen er intakt har SRLen ikke vært utsatt for støt. Dersom den røde heftingen har blitt brutt og løkken dratt i stykker (D) har SRLen vært utsatt for støtbelastning.
- ◇ **Ultra Lok forkants-stil SRLer:** Se figur 33. 3504500 forkants-stil SRLer har en integrert energiabsorberende komponent. Inspiser energiabsorbatoren for å avgjøre om den har vært aktivert. Det bør ikke være noe bevis på strekking (B). Sikre at energiabsorbatordekslet (A) er sikkert og ikke istykkerrevet eller skadet.

ADVARSEL: Dersom inspeksjon avslører en defekt tilstand, ta SRL umiddelbart ut av tjeneste og kontakt et autorisert servicesenter.

- Trinn 4.** Livlinen bør fire ut og trekkes inn uten nøling eller slakket. Livlinen må være stram (under spenning). Sikre at apparatet låser når det blir rykket kraftig i livlinen. Låsing bør være positiv uten gliding.

Trinn 5. Merkene må være tilstede og fullt lesbare. Se modellbilag.

Trinn 6. Se etter tegn på korrosjon på hele enheten.

Trinn 7. Inspiser livline.

◇ **Stålkabelmodeller:** Se figur 34. Inspiser livlinen for kutt, bukter (A), brutte tråder (B), strengåpning (C), korrosjon, sveisesøl (D), kjemiske kontaktområder eller alvorlig slitte områder. Dra opp kabelstøtdemperen og inspiser beslagene for sprekker eller skader og inspiser stålkabel for korrosjon og brutte tråder.

- **Merk:** Erstatt stålkabelmonteringen dersom det er seks eller flere tilfeldig distribuerte brutte tråder i en tvinning, eller tre eller flere brutte tråder i en kordel i en tvinning. En tvinning i en stålkabel er den lengden med stålkabel det tar for en kordel (den større gruppen med tråder) å fullføre en omdreining eller vridning langs kabelen. Bytt ut stålkabelmonteringen dersom det er noen brutte tråder innen 25 mm nær beslagene.

◇ **Ribbet eller syntetisk tau-modeller:** Se figur 34. Inspiser livlinen for konsentrert slitasje, frynsete kordeler (E), ødelagt garn, brannskader (F), kutt (G) og avsliping. Livlinen må være fri for knuter langs hele lengden. Inspiser for overdreven tilsmussing (H), malingsoppbygging og rustflekker. Kontroller om det finnes kjemisk skade eller varmeskade som vises ved brune, misfargede eller skjøre områder. Kontroller om det finnes ultrafiolett skade som vises ved misfarging og splinter eller fliser på livlinens overflate.

- **MERK:** Alle forholdene nevnt ovenfor er kjent for å redusere repstyrke. Repstyrke reduseres proporsjonalt til tverrprofilområdet for det skadde repet. Skadde eller tvilsomme rep må byttes ut.

ADVARSEL: Ikke lag knuter på livlinen. Unngå at livlinen kommer i kontakt med skarpe eller slitende overflater. Inspiser livlinen ofte for kutt, frynsing, brannskader eller tegn på kjemisk skade. Smuss, kontaminanter og vann kan senke livlinens dielektriske egenskaper. Utvis forsiktighet nær strømledninger.

Trinn 8. Inspiser koblingskroker, hvis tilstede, for tegn på skade, korrosjon og arbeidsegnethet. Svivel bør rotere fritt.

Trinn 9. Inspiser utføring av reservelivline, hvis tilstede, ved å sjekke indikatorer:

◇ **Stålkabel livlinemodeller (SB-serien ekskludert):** Se figur 35: A-kabelfører; B-kabelstopp; C-kabelførerbøsning; D-støtdemper. Se figur 36: A-Reservelivline rødt bånd. Dersom

et fall har blitt stoppet mens mesteparten av livlinen var ute, er det mulig at reservelivlinen har blitt brukt. For å sjekke for bruk av reservelivline, dra livlinen ut av SRLen til det stopper. Dersom den røde båndindikatoren vises, har reservelivlinen vært brukt. Dersom reservelivlinen ikke har vært brukt, er den delen akseptabel og inspeksjonen kan fortsette.

- ◇ **SB-seriemodeller:** Disse SRLene har ikke reservelivlinefunksjonen.
- ◇ **UltraLok ribbet livline-modeller:** Inspiser utfiring av reservelivlinen. Dersom et fall har blitt stoppet med mesteparten av livlinen ute, har reservelivlinen vært brukt. Dra livlinen ut av SRLen til det stopper. Dersom reservelivlinemerket (F) er synlig, som vist i figur 7, har reservelivlinen vært brukt og enheten må ha service ved et autorisert servicesenter før den kan tas i bruk igjen. Dersom reservelivlinen ikke har vært brukt, kan inspeksjonen fortsette.
- ◇ **UltraLok ribbet livline-modeller:** Inspiser utfiring av reservelivlinen. Dersom et fall har blitt stoppet, er det mulig at reservelivlinen har vært brukt. For å sjekke for bruk av reservelivline, dra livlinen ut av SRLen til det stopper. Dersom reservelivlinens advarselsmerke (A) er synlig, har reservelivlinen vært brukt. Se figur 37. Dersom reservelivlinen ikke har vært brukt (reservelivlinemerket er ikke synlig) er den delen akseptabel og inspeksjonen kan fortsette.

VIKTIG: Dersom indikatorer er synlig, må enheten ha service ved et autorisert servicesenter før den kan brukes igjen.

- Trinn 10.** Kontroller alle systemkomponenter eller undersystemer i henhold til produsentens instruksjer.
- **INSPEKSJONSTRINN FOR TILBAKETREKKINGSKOMPONENTER:** (MODELLENE 3400101, 3400102, 3400301, 3400302, 3400501, 3400502) Se figur 2
 - Trinn 11.** Inspiser tilbaketrekkingsarm (A) for fordreining eller annen skade. Tilbaketrekkingshåndtak (B) bør aktivere enkelt til tilbaketrekkingsarm og trykknapp bør virke fritt.
 - Trinn 12.** Skiftknapp (F) bør rotere fritt ved aktivering/deaktivering. Draring (D) på skiftknappen bør sprette tilbake når den slippes.
 - Trinn 13.** Inspiser tilbaketrekkingmodus for drift. For å teste, hev og senk en testvekt (sandsekk) på mellom 34 kg og 141 kg. Tilbaketrekkingsdrift bør være jevn og glatt. Når tilbaketrekkingshåndtaket (B) slippes bør vekten ikke bevege seg og tilbaketrekkingshåndtaket bør stå i ro (ingen bevegelse). En "klikkende" lyd bør

høres når last heves.

Trinn 14. Sperrehakedekslet (H) (se figur 3) må være sikkert og uten deformasjon. Valgfri monteringsbrakett må være sikkert festet til SRL og fri for defekter. Sikringspinne må bevege seg fritt.

- **INSPEKSJONSTRINN FOR TILBAKETREKKINGSKOMPONENTER:** (MODELL 340854 og 340855) Se figur 4

Trinn 11. Inspiser tilbaketrekkingsarm (E) for fordreining eller annen skade. Sikre at tilbaketrekkingshåndtaket (A) kan roteres ut og sikres i sveiveposisjonen.

Trinn 12. Sikre at låseskruen (D) kan strammes fullstendig.

Trinn 13. Sikre at skiftknappen (C) kan dras ut til ulåst plassering og deretter slippes, og låse sveivearmen (E) i både aktivert og deaktivert posisjon.

Trinn 14. Test tilbaketrekkingsmodus for korrekt drift ved å heve og senke en testvekt på mellom 34-141 kg (sandsekk). Tilbaketrekkingsdrift bør være jevn og glatt. Når tilbaketrekkingshåndtaket (A) slippes bør vekten ikke bevege seg og tilbaketrekkingshåndtaket bør stå i ro (ingen bevegelse). En "klikkende" lyd bør høres når last heves.

- **PROSEDYRE FOR DEFEKT TILSTAND:** Se GIBV del 1.2.

<p>VIKTIG: Kun Capital Safety eller parter som har skriftlig autorisasjon kan reparere utstyret.</p>

8.0 PRODUKTETS LEVETID

Så lenge SRLen består inspeksjon av en kompetent person¹, kan den fremdeles holdes i tjeneste. Se GIBV 4.2 og del 1.16 for garanti-informasjon.

9.0 VEDLIKEHOLD, LAGRING, TRANSPORT (Se GIBV del 3)

- **VEDLIKEHOLD**

- ◇ Plasser SRLen slik at overskytende vann kan renne ut.

- ◇ Rengjør merkene etter behov.

- ◇ Følg GIBV del 3.1 og 3.2. En overdreven opphoping av smuss, maling osv. kan forhindre at livlinen trekkes helt tilbake i huset og kan føre til en potensiell fare for fritt fall. Bytt ut livlinen

¹ Kompetent person: En person som har kjennskap til produsentens anbefalinger, instruksjoner og produserte deler, som er i stand til å gjenkjenne eksisterende og forutsigbare farer ved riktig valg, bruk og vedlikehold av fallsikring.

dersom overdreven opphoping er tilstede.

◇ Ikke smør noen deler.

ADVARSEL: Dersom livlinen kommer i kontakt med syrer, ta enheten ut av tjeneste og vask med vann og mild såpeløsning. Inspiser enheten før den returneres til tjeneste.

- **LAGRING:** Se GIBV del 3.3. Inspiser SRLen nøye etter en lengre lagringsperiode.
- **TRANSPORT:** Se GIBV del 3.4

10.0 SERVICE

Bytting av livline og ytterligere vedlikeholds- og serviceprosedyrer, må utføres av et autorisert servicesenter. Capital Safety skal utstede et autorisasjons- og returnummer. SRLen må ikke demonteres. Se del 7.0 for inspeksjonsfrekvens.

11.0 SPESIFIKASJONER OG MERKING (SE MODELLBILAG)

12.0 TERMINOLOGI

BERGINGSARBEIDER: Person annen enn, eller personer andre enn, den bergede som utfører en assistert bergingsoperasjon ved bruk av et bergingssystem.

KOMPETENT PERSON: Se GIBV del 16.

Olet juuri ostanut Capital Safetyn henkilökohtaisen suojalaitteen korkeissa paikoissa työskentelevien turvaksi. Kiitos luottamuksestasi laitteistoomme. Turvallisuuden ja mukavuuden ylläpitämiseksi kehotamme sinua säilyttämään nämä ohjeet ja noudattamaan niitä. Kaikkien käyttäjien ja pelastushenkilöstön (ks. osaa 12 Terminologia) tulee lukea tämä opas ennen käyttöä.

Katso 'Sanasto' (osa' Yleisohjeet käytöstä ja kunnossapidosta', jossa on valkoisessa ruudussa olevien numeroitujen kohtien nimet.

1.0 TARKOITUS / KUVAUKSET

Capital Safetyn takaisinkelautuvat turvataljat (SRL) ovat henkilökohtaisten putoamisenestolaitteiden (PFAS) komponentteja. Nämä järjestelmät sisältävät yleensä kokovartalovaljaat, kiinnityspisteen liittimen (karbiinin) ja turvataljan. Niitä käytetään tilanteissa, joissa työntekijän liikkuvuus ja putoamisenesto on tarpeen (tarkastukset, yleinen rakennustyö, kunnossapito, öljyntuotanto, ahtaat tilat jne.).

Joissakin malleissa on nostotoiminto*. Näissä malleissa on vakio-ominaisuutena putoamisenesto, kun laitteita käytetään ei-nostotilassa. Nostotilassa näitä malleja voidaan käyttää henkilöiden pelastamiseen (nostoon tai laskuun) seuraavassa ilmoitetuissa rajoissa. Nostomalleja voidaan myös käyttää materiaalin nostamiseen ja laskemiseen ilmoitetuissa kapasiteettirajoissa.

- **SULJETUT TURVATALJAT:** Capital Safetyn suljetuissa turvataljoissa käytetään patentoitua tiivistystekniikkaa, joka eristää kaikki dynaamiset komponentit ulkoisilta elementeilä, kuten rasvalta, kosteudelta ja lialta, mikä mahdollistaa turvallisen toiminnan kaikissa olosuhteissa. Ks. kuvaa 1: A-Ankkurikahva, B-Ohjetarra, C-Kotelo, D-Iskuvoimanilmaisintarra, E-Tunnustarra, F-Kaapelinohjain, G-Turvavaijeri, H-Puskuri, I-Holkki, J-Itselukittuva karbiinihaka.
 - ◇ **Nostotoiminnolla varustetut umpinaiset turvataljat:** Ks. kuvaa 2: A-Nostovarsi, B-Nostokahva, C-Kahvateline, D-Vetorengas, E-Toimintatarra, F-Nostonuppi, G-Nostotarra, H-Säpin kansi, I-Ylikuormitustarra.
- **SEALED-BLOK™-TURVATALJAT:** Käsittää valetun alumiinikotelon ja vahvasta ruostumattomasta teräksestä tai alumiinista valmistetut päätylevyt, ei-hammastetun jarrun, yhdysrakenteisen kantokahvan (helpottaa kuljetusta ja vähentää pudottamisvaaraa), suuren kääntyvän ankkurointikahvan ja itselukkiutuvan leikarikoukun, jossa on iskuvoiman ilmaisim. Ks. kuvaa 3: A-Ankkurikahva, B-Kotelo, C-Ohjetarra, D-Kaapelinohjain, E-Tunnustarra, F-Turvavaijeri, G-Puskuri, H-RFID-tarra; I-Itselukittuva karbiinihaka.
 - ◇ **Sealed-Blok™-turvataljat nostotoiminnolla:** Ks. kuvaa 4: A-Nostokahva, B-Nostotarra, C-Nostonuppi, D-Lukkoruuvi, E-Nostovarsi (kammen varsi), F-Vintturin käyttötarra, G-RFID-tarra.

TÄRKEÄÄ: Nostolaite ei ehkä sovi käytettäväksi työssä, jossa vaaditaan toistuvaa tai jatkuvaa materiaalin nostamista. Ota yhteyttä Capital Safetyyn ennen tämän tuotteen käyttöä tällaiseen tarkoitukseen. Nostomalleja ei ole suunniteltu käytettäväksi yleiseen työasemointiin tai henkilöstön siirtoihin.

- **ULTRA-LOK®-TURVATALJAT:** Capital Safetyn Ultra-Lok®-turvataljat on varustettu kestävällä lasitetytteisellä polyuretaanikotelolla, vaijerilla tai kuituköydellä ja alumiinisilla sivulevyillä, minkä ansiosta ne ovat erittäin kestäviä mutta samalla keveitä. Järjestelmässä on ei-hammastettu kaksoislevyjarru, jonka äänimerkki ilmaisee käyttäjälle, milloin laite toimii oikein.
- ◇ **ULTRA-LOK®-VAIJERILLA TAI SYNTEETTISELLÄ KÖYDELLÄ VARUSTETUT TURVATALJAT:** Sisältävät leikarilla varustetun kiinnityspisteen, itselukkiutuvan iskuvoiman ilmaisimella varustetun karbiinihaan sekä turvaköyden tai -vaijerin, joka voi olla galvanioituva tai ruostumatonta terästä tai synteettistä kuitua. Saatavilla olevat vaijeripituudet ovat 6,1 m, 9,1 m, 15,2 m ja 25,9 m. Saatavilla olevat synteettisten köysien pituudet ovat 6,1 m, 10,7 m, ja 16,8 m. Ks. kuvaa 5: A-Leikari; B-Tarkastusilmoitustarra, C-Varoitustarra, D-Ultra-Lok-tarra, E-Tunnustarra, F-Liitäntätarra; G-Vaijeri tai synteettinen köysi; H-Puskuri; I-RFID-tarra; J-RFID-tarra; K-Itselukkiutuva haka.
- ◇ **ETUREUNAN turvataljat:** Sisältävät leikarilla varustetun kiinnityspisteen, itselukkiutuvan iskuvoiman ilmaisimella varustetun karbiinihaan, yhdysrakenteisen nykyksenvaimentimen ja 9,1 m galvanoidun turvavaijerin. Ks. kuvaa 6: A-Leikari; B-Tarkastusilmoitustarra, C-Varoitustarra, D-Ultra-Lok-tarra, E-Liitäntätarra; F-Vaijeri; G-RFID-tarra; H-Nykyksenvaimennin; I-Itselukittuva karbiinihaka.
 - **Huomautus:** Capital Safetyn turvataljamalli 3504500 on suunniteltu käytettäväksi töissä, joissa putoaminen reunan ylitse on mahdollista, esimerkiksi katoilla, rakennelmien reunoilla jne. Tämä malli sopii erityisen hyvin käytettäväksi putoamisenestojärjestelmän ja Capital Safetyn ankkuriliittimien kanssa, jotka on tarkoitettu reunojen lähellä työskentelemiseen. Suosittelemme leikarimallista betonikaton ankkuria 2105503.
- ◇ **PUNOTUT ULTRA-LOK®-TURVATALJAT:** Sisältävät leikarilla varustetun kiinnityspisteen, itselukkiutuvan karbiinihaan ja 2,54 cm leveän nailonkudoksisen köyden 3,4 m:n ja 6,1 m:n pituuksilla. Ks. kuvaa 7: A-Leikari; Tarrat: B-Varoitus, C-Tunnus, D-Iskuvoiman ilmaisin, E-Liitännät, F-Palautuva turvaköysi; G-RFID-tarra; H-Kuituköysi; I-Merkkitaitte; I-Liitinkoukku.
- **SB-SARJAN TURVATALJAT:** Käsittävät tukevan alumiinivalukotelon, ei-hammastetun levyjarrujärjestelmän, vahvan teräksisen ankkurisakkelin, turvavaijerin palautuksen ja itselukkiutuvan karbiinihaan varustettuna iskuvoiman ilmaisimella. Ks. kuvaa 8: A-Sakkeli; B-Iskuvoiman ilmaisin, C-SALA-tarra, D-Iskuvoiman ilmaisimen

tarra, E-Varoitustarra, F-Määrittystarra, G-Ohjetarra (vasen puoli), H-Tunnus Tarra, I-Ohjetarra (oikea puoli); J-Vaijeri; K-RFID-tarra; L-Pisarakaussi; M-Itselukkiutuva karbiinihaka; N-Koukkuvalinnat.

TÄRKEÄÄ: Katso yleisohjeiden osia 1.1 ja 1.3 ennen tämän laitteen käyttöä.

TÄRKEÄÄ: Ennen tämän laitteen käyttöä kirjaa tuotetunnistetarran (1) tiedot laitetunnistussivulle, joka löytyy näiden yleisohjeiden lopusta.

2.0 VAATIMUKSET: Tämän laitteen asennukselle ja käytölle on asetettu seuraavat rajoitukset:

- **KAPASITEETTI:** Yksi henkilö. Yhteen turvataljaan ei koskaan saa liittää enempää kuin yhden henkilön putoamisenestotarkoituksessa. Nostokäyttö voi vaihdella mallikohtaisesti. Katso lisätietoja mallin liitteestä.
- **LUKITUSNOPEUS:** Vältä tilanteita, joissa esteetön putoaminen ei ole mahdollista. Esimerkiksi: Työskentely ahtaissa paikoissa, hitaasti siirtyvällä pohjalla (esim. hiekka tai vilja) tai loivalla katolla, jolla työntekijä voi liukua eikä pudota. Näissä tilanteissa henkilö ei ehkä saavuta riittävää nopeutta turvataljan lukkiutumiseksi putoamistapauksessa. Itselukkiutuvat turvataljat vaativat lukkiutuakseen esteettömän väylän.
- **YMPÄRISTÖVAARAT JA FYYSISET VAARAT:** Tämän laitteiston käyttö ympäristöltään vaarallisilla alueilla voi edellyttää muita varotoimia, joilla vähennetään käyttäjien loukkaantumiseriskiä tai laitevahinkojen vaaraa. Jotkin riskit on mainittu tässä asiakirjassa, mutta ne eivät rajoitu seuraaviin:
 - ◇ **Korroosio:** Näitä laitteita ei saa jättää pitkäksi aikaa ympäristöön, jossa metalliosat voivat päästä syöpymään orgaanisista materiaaleista erittyvien höyryjen vuoksi. Jäteveden tai lannoitusaineiden läheisyydessä on noudatettava varovaisuutta, koska ne sisältävät suuria pitoisuuksia erittäin syövyttävää ammoniakkia. Varusteen käyttö lähellä merivettä tai muuta korroosiota aiheuttavaa paikkaa voi tihentää tarkastus- tai huoltotarvetta, jotta voidaan olla varmoja siitä, ettei korroosio haittaa tuotteen tehoa.
 - ◇ **Kemikaalit:** Happoja, emäksiä tai muita kaustisia kemikaaleja sisältävät liuokset voivat vahingoittaa DBISALA-turvataljoja etenkin korkeissa lämpötiloissa. Tällaisten kemikaalien läheisyydessä työskennellessä koko turvatalja tulee tarkastaa säännöllisin väliajoin. Turvavaijerin kemialliset vauriot ovat vaikeita huomata, minkä vuoksi vaijeri on syytä vaihtaa aika ajoin turvallisuuden takaamiseksi. Turvavaijerin saa vaihtaa ainoastaan valtuutettu huoltopiste.
 - ◇ **Kuumuus:** Tätä laitteistoa ei ole suunniteltu käytettäväksi äärimmäisen kuumissa olosuhteissa. Suojaa laitteisto, kun sitä käytetään lähellä hitsaustyötä, metallin leikkausta tai muuta

vastaavaa toimintaa. Kipinät voivat polttaa tai vahingoittaa näitä laitteita.

- **Huomautus:** Synteettiset turvaköydet eivät ole tulenkestäviä eikä niitä saa altistaa äärimmäiselle kuumuudelle. Seuraavia ei saa käyttää ympäristöissä eikä kosketuspinoilla, jotka ylittävät määritetyt lämpötilat:
 - *Spectra-köysi 60 celsiusasteeseen saakka*
 - *Vectran-köysi 120 celsiusasteeseen saakka*
- ◇ **Sähkövirta:** Koska turvavaijeri voi johtaa sähköä, on noudatettava äärimmäistä varovaisuutta työskennellessä voimalinjojen läheisyydessä.

Ota yhteys Capital Safetyn edustajaan, jos sinulla on kysyttävää tämän laitteen käytöstä vaarallisilla alueilla.

TÄRKEÄÄ: Katso näitä laitteita koskevia standardeja halutessasi lisätietoja henkilökohtaisista putoamisenesto- tai suojajärjestelmistä ja niiden komponenteista.

- **OSIEN YHTEENSOPIVUUS:** Varuste on suunniteltu käytettäväksi ainoastaan Capital Safetyn hyväksymien osien ja alijärjestelmien kanssa. Ks. myös yleisohjeiden osaa 1.12.
- **KIINNITYSOSIEN YHTEENSOPIVUUS JA LIITÄNNÄT:** Kiinnitysosien (koukkujen, karbiinilukkojen, D-renkaiden) on kestettävä vähintään 22 kN:n vetovoimaa. Kiinnitysosien on sovitettava yhteen kiinnityskohdan ja muiden järjestelmänosien kanssa sekä täytettävä EN362-standardissa asetetut vaatimukset. Ks. kuvaa 9: A-Ankkuri; B-Liitin; C-Ankkuriliitin, D-Asennusteline; E-Kolmijalka. Ks. myös yleisohjeiden osaa 5 ja osan EN362 kuvia.
- **ANKKURIN LUJUUS:** Vaadittu ankkurin lujuus riippuu käyttötarkoituksesta. Ankkurien tulee täyttää EN795-normin vaatimukset. Ks. myös yleisohjeiden osaa 12.
- **VAAKASUUNTAINEN JÄRJESTELMÄ:** Kun turvataljaa käytetään yhdessä vaakasuuntaisen järjestelmän kanssa (esim. vaakasuuntaiset I-palkit ja tangot), turvataljan ja vaakasuuntaisen järjestelmän osien tulee olla yhteensopivia. Vaakasuuntaiset järjestelmät tulee suunnitella ja asentaa teknisen asiantuntijan valvonnassa.
- **VALINNAINEN NOSTOJÄRJESTELMÄ:** Käytettäessä turvataljaa valinnaisen nostojärjestelmän kanssa tulee varmistaa, että tukirakennelma (esim. kolmijalka, taavetin varsi) on yhteensopiva turvataljan liitännän, toiminnan, vakauden ja lujuuden kanssa. Ks. kuvaa 10 – Valinnainen asennus mallille 3400614: A-Kuusiokantamutteri, M12 x 1,75, sinkitetty (ZP); B-Kuusiokantapultti, M12 x 1,75 x 25 cm, metrinen mutteriluokka 8.8, ZP; C-Asennuspinta; D-Tarvittava määrä välilevyjä; E-Välilevy, 12 mm, ZP, 5 tyypillinen; F-Kuusiokantapultti, M12 x 1,75 x 8 cm, metrinen mutteriluokka 8.8, ZP.

3.0 KOULUTUS

Varusteen käyttäjien vastuulla on ymmärtää nämä ohjeet ja perehtyä varusteen oikeaan asennukseen, käyttöön ja kunnossapitoon. Tämä käyttöopas ei korvaa koulutusohjelmaa.

TÄRKEÄÄ: Lue yleisohjeiden koulutusta koskeva osa 1.1.

4.0 SUUNNITTELU

ENNEN KUTAKIN KÄYTTÖÄ: Lue yleisohjeiden osa 1.1 "Ennen kutakin käyttöä" ja tarkasta turvatalja huolellisesti varmistaaksesi, että se on hyvässä käyttökunnossa, noudattamalla osassa 7.0 esitettyjä työvaiheita. Suorita lisäksi seuraavat toimenpiteet:

- Varmista, että kaikki pultit ovat paikoillaan ja tiukasti kiinni.
- Vedä vaijeria ulos ja anna sen palautua hitaasti. Jos palautuminen takeltelee, laite tulee palauttaa Capital Safetyille huollettavaksi.
- Tarkasta lukitustoiminto nykäisemällä nopeasti vaijerista.
- Varustetta ei saa käyttää, jos tarkastuksessa havaitaan turvallisuutta heikentävä seikka.

TÄRKEÄÄ: Lue yleisohjeiden osat 1.3, 1.4 ja 1.12 suunnitellessasi järjestelmää.

SUUNNITTELU: Suunnittele putoamisenestojärjestelmääsi koskevat näkökohdat ennen kuin ryhdyt työhön. Ota huomioon tekijät, jotka voivat vaikuttaa turvallisuuteen ennen putoamista, sen aikana ja sen jälkeen. Seuraavassa luetellaan joitakin tärkeitä näkökohtia:

- **ANKKURI:** Valitse jäykkä kiinnityskohta (ks. kuvaa 9). Katso kiinnityspisteiden lujuustietoja osasta 2.0. Valitse kiinnityskohta huolellisesti vähentääksesi vapaan putoamisen ja heilahtavan putoamisen vaaraa. Valinnaisia nostojärjestelmän asennusvaihtoehtoja käsitellään osassa 2.0.

TÄRKEÄÄ: Vain vaakasuuntaisesti käyttökelpoisia turvataljoja (ks. merkintää), kuten reunusturvatalja, voidaan asentaa jalkatasolle tai sen yläpuolelle. Ks. kuvaa 12. Kaikki muut turvataljat tulee ankkuroida kokovartalovaljaiden kiinnityspisteiden yläpuolelle (ks. merkintää). Ks. kuvaa 11.

- **HEILAHTAVAT PUTOAMISET:** Heilahtava putoaminen tapahtuu, kun kiinnityspiste ei ole suoraan putoamiskohdan yläpuolella. Ks. kuvaa 13. Iskeytyminen esteeseen heilahtavassa putoamisessa voi aiheuttaa vakavan vamman. Heilahtavassa putoamisessa putoamisetäisyys on suurempi kuin putoamisessa suoraan kiinnityspisteiden alapuolella, minkä vuoksi vapaa putoamismatka ja käyttäjän turvalliseen pysäyttämiseen vaadittava matka pitenee. Turvatalja aktivoituu riippumatta sen suunnasta käyttäjään nähden. Arvioi kyseessä oleva työkohte asianmukaisen työvyöhykkeen määrittämiseksi. Minimoi heilahtavan putoamisen mahdollisuus työskentelemällä

niin lähellä ankkuripistettä kuin mahdollista. Älä salli heilahtavaa putoamista, jos se voi aiheuttaa vamman. Jos työpisteessäsi vallitsee heilahdusputoamisen riski, ota yhteys Capital Safetyyn ennen töiden aloittamista.

- **PUTOAMISVARA:** Varmista, että putoamisreitillä on riittävä esteetön putoamisvara. Minimaalinen putoamisvara on 4,5 m mitattuna selkäpuolen D-renkaasta seuraavaan esteeseen tai esineeseen. Ks. kuvaa 14. Lisävara on tarpeen, jos olemassa on heilahtavan putoamisen mahdollisuus.
- **TERÄVÄT REUNAT:** Vältä tämän laitteen käyttöä paikoissa, joissa ne voivat päästä kosketuksiin suojaamattomien terävien reunojen kanssa tai hangata niitä vasten. Suojaa turvaköysi tai -vaijeri mahdollisuuksien mukaan. Köyteen tai vaijeriin voidaan joskus asentaa nykäystä vaimentava osa työntekijän lisäsuojaksi. Tällöin tulee ottaa huomioon varusteiden yhteensopivuus ja putoamisen kokonaisuus. Ota yhteyttä Capital Safetyyn ennen nykäystä vaimentavan komponentin tai taljaköyden lisäämistä.

TÄRKEÄÄ: *Vaikka reunusturvatalja (malli 3504500) tarjoaa lisäsuojan reunan ylitse putoamiselta, sitä täytyy varjella leikkautumiselta teräviä reunoja vasten työskenneltäessä lähellä erittäin teräviä reunoja, kuten leikattuja, kylmävalssattuja tai hitsaamalla leikattuja teräslevyjen reunoja. Reunoilta suojaamista ei tarvita, kun kysymyksessä on kuumavalssattu teräs, teräskatteet, betoni tai puu.*

- **PELASTAMINEN:** Putoamistapauksen varalta työnantajalla tulee olla pelastussuunnitelma ja kyky ryhtyä pelastustoimiin.
- **PUTOAMISEN JÄLKEEN:** Jos laite on altistunut putoamisen pysäyttämisoimelle, se tulee poistaa käytöstä tarkastusta varten. Ks. osaa 7.
- **MUITA NÄKÖKOHTIA:** Vältä työskentelyä paikoissa, joissa köysi voi mennä ristiin toisen työntekijän varusteiden kanssa. Turvaköysi ei saa kulkea käsivarsien alta tai jalkojen välistä. Turvaköyttä ei saa puristaa, solmia, estää palautumasta tai kiristymästä, eikä sitä saa päästää liian löysälle. Vältä köyden löystymistä. Älä kierrä turvaköyttä rakenteiden ympärille, joiden läpimitta on pieni.

TÄRKEÄÄ: *Lue ja noudata valmistajan ohjeet oheislaitteista (esim. kokovartalovaljaat), joita käytetään henkilökohtaisessa putoamisenestojärjestelmässä.*

TÄRKEÄÄ: *Noudata tässä oppaassa olevia ohjeita tämän tuotteen erityisversioita (räätälöityjä) käyttäessäsi. Katso lisäohjeita räätälöidyn tuotteen mukana toimitetusta käyttöohjeesta.*

5.0 KOKOONPANO JA ASENNUS

- **VARTALOTUKI:** Capital Safetyyn turvataljojen kanssa tulee aina

käyttää kokovartalovaljaita (EN361). Varuste kiinnitetään yleisessä putoamisenestotarkoituksessa hartioiden välissä olevaan selän D-renkaaseen.

- ◇ **Nostotoimet:** On suositeltavaa käyttää kokovartalovaljaita onnettomuusuhriin nostamisessa, mikäli hänen terveydentilansa sen sallii. Nostotoimia varten on saatavana malleja, jotka on varustettu olkapään yläpuolisilla liittimillä (olkapään D-renkaat).

VAROITUS: Vartalovyöt eivät ole sallittuja vapaan putoamisen varalle. Vartalovyöt lisäävät loukkaantumisen vaaraa putoamisen pysäyttämisessä kokovartalovaljaisiin verrattuina. Rajoitettu riippumisaika ja mahdollisuus, että vartalovyö on väärin asennettu, voivat aiheuttaa lisävaaran käyttäjän terveydelle. Ks. myös yleisohjeiden osaa 2.0.

- **LIITÄNTÖJEN TEKO:** Koukkuja tai karbiinihakaa käytettäessä tulee varmistaa, ettei se pääse avautumaan. Ks. osaa 2.0, "Liittimien yhteensopivuus". Ks. kuvaa 15. Käytä lukkiutuvaa koukkuja tai karbiinihakaa (A), joka sulkeutuu täysin ankkurin (B) tai ankkuriliittimen (C) ympärille. On suositeltavaa kiinnittää malli 340614 rakenteeseen kiinteään asentoon (ei riippuvaan) mukana toimitetuilla kiinnikkeillä. Asennuspinnan tulee täyttää ankkurin lujuusvaatimukset, jotka on ilmoitettu osassa 2.0, "Ankkurin lujuus". Noudata kunkin järjestelmänosan mukana toimitettuja valmistajan ohjeita.

6.0 KÄYTTÖ

Ks. kuvaa 16. Yhdistä turvatalja (A) sopivaan ankkuriin (B). Yhdistä itselukittuva karbiinihaka (C) putoamisenestolaitteen tai tikkaan kiipeämiskiinnikkeeseen (D), joka on kokovartalovaljaissa (E). Ks. kuvaa 17. Varmista, että liitännät ovat yhteensopivia ja että koukku on lukittu kiinni. Kun työntekijä on kiinni varusteissa, hän voi liikkua vapaasti työalueella. Turvaköyden tulee liikkua pehmeästi ja takeltelematta ulos ja sisään. Turvaköyden tulee pysyä tiukalla kaiken aikaa normaalikäytössä. Jos turvaköysi on normaalikäytössä löysällä, laite tulee palauttaa Capital Safetyille huollettavaksi. Putoamistapauksessa turvatalja lukittuu ja pysäyttää putoamisen.

VAROITUS: Pelastustoimen jälkeen turvatalja tulee poistaa käytöstä. Ks. yleisohjeiden osaa 1.2.

Tarkasta laitteisto osassa 7.0, "Putoamisen pysäyttämisen jälkeen", kuvatulla tavalla. Turvataljaa käytettäessä turvaköyden tulee aina antaa palata laitteeseen hallitusti. Lyhyt naru voi olla tarpeen turvaköyden vetämiseksi ulos tai palauttamiseksi liitännän ja irrottamisen aikana. Jos turvaköyttä pidetään täysin ulosvedettynä pitkiä aikoja, se voi heikentää palautusjousta ennenaikaisesti.

- **NOSTOJÄRJESTELMÄN TOIMINTA (MALLIT 3400101, 3400102, 3400301, 3400302, 3400501, 3400502):** Kuvassa 17 näkyy nostotilan aktivoiminen. Poista nostokahva turvataljan taustapuolelta painamalla vapautuspainiketta kahvan päästä ja vetämällä kahvaa

ylöspäin. Asenna tappi nostovarren päässä olevaan reikään. Käännä varsikokoonpanoa sivulle päästäksesi käsiksi nostonuppiin. Nosta vetorengasta (nostonupissa) ja käännä sitä vastapäivään 1/8 kierrosta ja vapauta se. Käännä nostovartta myötäpäivään kytkemisen auttamiseksi. **Nostonupin tulee liikkua sisään ja kääntyä lukitusasentoon, kun veto on täysin kytkeytynyt.**

- ◇ **Nosto:** Käännä nostovartta vastapäivään.
- ◇ **Lasku:** Käännä nostovartta myötäpäivään. Pidä turvaköysi jännitettynä kaiken aikaa (vähintään 34 kg).
- ◇ **Nostotilan irtikytkentä:** Vapauta turvaköyden kuormitus. Käännä nostonuppia vastapäivään 1/8 kierrosta, vedä rengas ulos ja käännä nostonuppia myötäpäivään 1/8 kierrosta. Vapauta vetorengas. Poista nostokahva nostovarresta ja aseta se säilytystelineeseen. Aseta nostokahvan tappi kahvan lävitse säilytystelineeseen.
- ◇ **Noston ylikuormitustoiminto:** Nostotoiminnolla varustetut turvataljat (kuten kuvassa 17) sisältävät ylikuormituskytkimen, joka suojelee vetokomponentteja ja nostettavaa henkilöä liialliselta voimalta. Tämä sama toiminto toimii käyttäjää suojaavana iskunvaimentajana putoamistapauksessa, kun nostotila on kytketty. Ylikuormituskytkin on asetettu luistamaan noin 227 kg:n painosta alkaen. Sen tarkoitus on sallia pelastustoimet hätätilassa, kun nostokyvyn lisäkapasiteetti on tarpeen.

TÄRKEÄÄ: Nostotoimen kapasiteetti on 210 kg.

- ◇ **Nostomallien asennus:** Turvataljan nostomalleja, jotka näkyvät kuvissa 1 ja 2, voidaan käyttää valinnaisten telineiden kanssa (Capital Safetyn osanumerot 3401123 ja 3401090) asennukseen Capital Safetyn kolmijalkaan, taavettivarteen tai tikasmastoon. Noudata seuraavia ohjeita näiden telineiden asennuksessa ja käytössä.
- Vaihe 1.** Kiinnitä teline turvataljaan asettamalla kaksi mukana toimitettua pulttia turvataljan kotelon reikien lävitse. Kierrä mutterit kiinni ja kiristä. Ks. kuvaa 18.
- Vaihe 2.** Kun teline on kiinnitetty turvataljaan, se kohdistetaan kolmijalan vastaavaan telineeseen, taavetin varteen tai tikasmastoon. Turvataljan telineen päässä oleva kolo liukuu tappiin, joka pistää esiin yhdystelineen kummaltakin puolelta. Säädä kolmijalan jalkateline tarvittavalle toimintakorkeudelle. Ks. kuvaa 19.
- Vaihe 3.** Kun kokoonpano on tapin varassa, käännä turvataljan yläosaa sisäänpäin, niin että reiät tulevat kohdakkain. Paina lukitustapin päässä olevaa painiketta ja liu'uta tappi sisään, niin että turvataljakokoonpano kiinnittyy tukevasti kolmijalkaan, taavetin varteen tai tikasmastoon. Ks. kuvaa 20.

Vaihe 4. Vedä vaijeria ylös tukirakenteen ja pylpyröiden päälle. Asenna lukitustapit takaisin pylpyrän lähelle estämään vaijerin liukuminen pois pylpyröistä. Ks. kuvaa 21. Kuvissa 22 ja 23 näkyy valmis kiinnitys.

- (MALLIT 340854 JA 340855) (EN360:2002 JA EN1496:2006 LUOKAT A, B): Kuvasta 4 selviää nostojärjestelmän tärkeimmät osat. Aktivoi nostotila kääntämällä lukitusruuvi (D) täysin alas, niin että kammen varsi (E) vapautuu. Käännä kahva (A) ulos säilytysasennosta. Kytke vinssi vetämällä ja pitämällä nostonuppi (C) lukitsemattomassa asennossa. Paina kammen varsi (E) kytkentäasentoon ja vapauta nostonuppi (C). Käännä kammen vartta tarvittaessa myötäpäivään (alas) auttamaan vaihteen kytkeytymistä päälle.
 - ◇ **Nosto:** Käännä kammen vartta vastapäivään. Pelastusnostolaitetta tulee käyttää vain esteettömän noston ollessa mahdollista, eikä sitä pidä käyttää, jos esteet ovat vaaraksi.
 - ◇ **Lasku:** Käännä kammen vartta ensin vastapäivään putoamiseksi nostojarrun vapauttamiseksi, ja käännä vartta sitten myötäpäivään. Laskutoiminto on tarkoitettu henkilön laskemiseksi alas enintään 2 metriä.

TÄRKEÄÄ: Laskutoimintoa tai vaijerin ulos vetämisestä varten vaaditaan vähintään 34 kg:n kuormitus. Tämän laitteen maksimikuorma on 141 kg. Vinssin nostokahvan käyttöön vaaditaan 13 kg:n voima, kun vinssissä on maksimikuormitus. Pelastustoimen aikana tulee aina olla suora näköyhteys pelastettavaan tai hänen kanssaan on pystyttävä kommunikoidaan muulla tavoin.

HUOMIO: Lopeta kampeaminen, kun vaijeri tai köysi on täysin ulkona tai sisällä. Jatkuva kampeaminen voi vahingoittaa laitteen osia.

- ◇ **Nostotilan poiskytkentä:** Poista kuormitus turvaköydestä. Vedä nostonuppi ulos lukkiutumattomaan asentoon. Vedä kammen varsi ulos kytkeytymättömään asentoon ja vapauta nostonuppi. Kiinnitä kammen varsi lukitusruuvilla. Vedä nostokahva ulos ja käännä kahva säilytysasentoon.
- ◇ **Noston ylikuormitustoiminto:** Turvataljamallien vinssit (kuvassa 4) eivät sisällä ylikuormituskytkintä, joka rajoittaa veto-osiin ja nostettavaan henkilöön kohdistuvaa voimaa. Pelastustilaa käytettäessä on varottava päästämästä turvaköyttä löystymään. Pelastettavaa henkilöä tulee myös tarkkailla noston aikana, jotta varmistettaisiin ettei hän tartu mihinkään kiinni ja altistu liialliselle voimalle jatkuvan noston aikana.

TÄRKEÄÄ: Nostojärjestelmän käyttö kapasiteetin ylittävillä kuormilla alentaa yleistä varmuuskerronta. Jos laitetta on käytetty nimelliskapasiteetin yläpuolella, se täytyy poistaa käytöstä ja palauttaa Capital Safetylle tarkastettavaksi.

- ◇ **Nostomallien asennus:** Turvataljan nostomalleja (kuvissa 3 ja

4) voidaan käyttää valinnaisen telineen kanssa (malli 3401025) turvataljojen asentamiseksi Capital Safetyn kolmijalkaan, taavetin varteen tai tikasmastoon. Noudata seuraavia ohjeita tämän telineen asentamisessa ja käytössä.

- Vaihe 1.** Poista kolme asetusruuvia, joilla turvataljan kotelon kyljessä olevat reiät on peitetty. Ks. kuvaa 24.
- Vaihe 2.** Kiinnitä teline turvataljaan asettamalla kolme pulttia turvataljan kotelon reikien lävitse. Ks. kuvaa 25.
- Vaihe 3.** Kun teline on kiinnitetty turvataljaan, se kohdistetaan kolmijalan vastaavaan telineeseen, taavetin varteen tai tikasmastoon. Turvataljan telineen päässä oleva kolo liukuu tappiin, joka pistää esiin tikasmaston, taavetin varren tai kolmijalan vastaavan telineen kummaltakin puolelta. Kohdista kolmijalan teline vaaditulle käyttökorkeudelle. Ks. kuvaa 26.
- Vaihe 4.** Kun kokoonpano on tapin varassa, käännä turvataljan yläosaa sisäänpäin, niin että reiät tulevat kohdakkain. Paina lukitustapin päässä olevaa painiketta ja liu'uta tappi sisään, niin että turvataljakokoonpano kiinnittyy tukevasti kolmijalkaan, taavetin varteen tai tikasmastoon. Ks. kuvaa 27.
- Vaihe 5.** Vedä vaijeria ylös tukirakenteen ja pylpyröiden päälle. Asenna lukitustapit takaisin pylpyrän lähelle estämään vaijerin liukuminen pois pylpyröistä. Ks. kuvaa 28.

7.0 TARKASTUKSET

Turvataljojen (A) i-Safe™-RFID-tarraa voidaan käyttää yhdessä käsikäyttöisen i-Safe-lukulaitteen ja verkkoportaalin kanssa yksinkertaistamaan tarkastusta, varastokirjanpitoa sekä yrityksen putoamisenestolaitteita koskevaa kirjanpitoa. Ks. kuvaa 29.

- **TAAJUUS:** Ennen kutakin käyttöä tarkasta turvatalja seuraavien tarkastusvaiheiden mukaan. Pätevän henkilön (muun kuin käyttäjän) on tarkastettava turvataljat vähintään kerran vuodessa. Jos käytät ohjelmaa ensimmäistä kertaa, ota yhteys asiakaspalveluun, tai jos olet jo rekisteröitynyt, siirry osoitteeseen www.capitalsafety.com/isafe.html. Siirrä tiedot verkkolokiin noudattamalla i-Safe-oppaan paperiversiota tai verkkoportaalin ohjeita. Kirjaa tulokset Määräaikainen tarkastus- ja korjauskertomus -lokiin, joka sisältyy yleisohjeisiin käytöstä ja kunnossapidosta (5902392) tai käytä i-Safe™-tarkastuksen verkkoportaalia tarkastuspäiväkirjan ylläpitoon. Katso yleisohjeiden kohta 4.

Vuosittaiset huoltopäivämäärät löytyvät turvataljan tarroista.

- ◇ **Putoamisen pysäyttämisen jälkeen:** Tarkasta iskuvoiman ilmaisin ja koko turvatalja.
- ◇ **Nostotilan käytön jälkeen:** Noston tai laskun jälkeen tarkasta iskuvoiman ilmaisin ja koko turvatalja. Jos laitetta käytetään

jatkuvasti nostamiseen ja laskemiseen, tarkastus- ja huoltotajuutta tarvitsee ehkä lisätä. Ota yhteyttä Capital Safetyyn, jos sinulla on kysyttävää tarkastustasaajuudesta.

• YLEISET TARKASTUSVAIHEET:

Vaihe 1. Tarkasta, ettei laitteessa ole löysiä ruuveja, pultteja tai taipuneita tai vaurioituneita osia.

Vaihe 2. Tarkasta, ettei laitteen kotelossa ole vääntymiä, rakoja tai muita vaurioita.

Vain Ultra-Lok-mallit: Varmista, ettei leikari ole vahingoittunut tai vääntynyt millään tavalla. Varmista, että leikari kääntyy vapaasti.

Vain SB-sarja: Varmista, että sakkeli liikkuu vapaasti ja ettei siinä ole vääntymiä, halkeamia, särmiä tai kuluneita osia. Varmista, että mutteri on kireällä.

Vaihe 3. Tarkasta iskuvoiman ilmaisin. Tämä tarkastus on riippuvainen käytetystä turvataljatyypistä. Noudata turvataljatyypin koskevia yksityiskohtaisia ohjeita:

- ◇ **Ultra-Lok-vaijeri- ja köysityypiset turvataljat:** Ks. kuvaa 30. Tarkasta iskuvoiman ilmaisin (A). "Normaalitilassa" (B) tulee katsoa, onko koukun värinauha (C) näkyvässä. Jos koukku on "osoitetussa tilassa" (D), iskuuormitus on tapahtunut.
 - **Huomautus:** Älä yritä nollata iskuvoiman ilmaisinta. Leikari ei käännä vapaasti "osoitetussa tilassa".
- ◇ **SB-turvataljat:** Ks. kuvaa 31. Tarkista, että punainen iskuvoiman ilmaisinnappi (A) on tasan kotelon kanssa. Jos nappi ei ole tasan kotelon kanssa, lohko on lauennut.
- ◇ **Punotut Ultra-Lok-turvataljat:** Ks. kuvaa 32. Nämä turvataljat on varustettu kudostetussa (A) olevalla iskuvoiman ilmaisimella. Koukun pään (B) viereinen kudos on laskostettu ja ommeltu punaisella langalla muodostamaan pienen silmukan (C). Neulottu silmukka vetäytyy ulos noin 1,6 kN:n voimasta. Jos punainen ommel on ehjä, turvatalja ei ole altistunut iskuvoimalle. Jos punainen ommel on rikkoutunut ja silmukka repeytynyt (D), turvatalja on altistunut iskuvoimalle.
- ◇ **Ultra-Lok-reunusturvataljat:** Ks. kuvaa 33. Reunusturvataljat 3504500 on varustettu yhdysrakenteisella nykyksenvaimentimella. Tarkasta nykyksenvaimennin nähdäksesi, onko se aktivoitunut. Siinä ei pitäisi näkyä merkkejä venymisestä (B). Varmista, että nykyksenvaimentimen kansi (A) on kiinni ja ettei se ole repeytynyt tai vahingoittunut.

VAROITUS: Jos tarkastuksessa huomataan vika, poista turvatalja käytöstä ja ota yhteys valtuutettuun huoltopisteeseen.

- Vaihe 4.** Turvavaijerin tulee liikkua täysin esteettä tai löystymättä ulos ja sisään. Turvaköyden tulee olla kireällä (pingottunut). Varmista, että laite lukkiutuu, kun köydestä nykäistään nopeasti. Lukitus ei saa luistaa.
- Vaihe 5.** Tarrojen tulee olla kiinnitetty hyvin ja täysin luettavissa. Ks. mallin liitettä.
- Vaihe 6.** Tarkasta koko laite syöpymisen varalta.
- Vaihe 7.** Tarkasta turvaköysi.
- ◇ **Vaijerimallit:** Ks. kuvaa 34. Tarkasta turvavaijeri viiltojen, kiertymien (A), katkenneiden säikeiden (B), sykkyröiden (C), syöpymisen, hitsausroiskeiden (D), kemikaalivahinkojen tai vakavien hankaumien varalta. Liu'uta vaijerin puskuri ylös ja tarkasta holkit halkeamien tai vaurioiden varalta ja tarkasta, ettei köydessä näy syöpymistä tai katkenneita säikeitä.
- **Huomautus:** Vaihda köysi, jos sen yhdessäkään punoskierroksessa on vähintään kuusi satunnaisesti katkennutta lankaa tai vähintään kolme katkennutta lankaa yhdessä punoksessa. Vaijerin "punoskiertos" on vaijerin punoksen täysi kierros tai palmikointi läpimitan ympäri. Vaihda vaijeri uuteen, jos siinä on katkenneita lankoja 25 mm:n sisällä holkeista.
- ◇ **Synteettisestä materiaalista valmistetut nauha- tai köysimallit:** Ks. kuvaa 34. Tarkasta turvaköysi kulumisen, rispaantumisen (E), katkenneiden lankojen, palovahinkojen (F), viiltojen (G) ja hankaumien varalta. Turvaköydessä ei saa olla solmuja missään kohdassa. Tarkasta liiallisen likaantumisen (H), maalikertymien ja ruostetahrojen varalta. Tarkasta, ettei materiaalissa näy kemikaalien tai kuumuuden aiheuttamia vaurioita, jotka ilmenevät ruskeina, värjäytyneinä tai hauraina alueina. Tarkasta, ettei materiaalin pinnassa ole ultraviolettisäteiden aiheuttamia vaurioita, tikkuja eikä lastuja.
- **HUOMAUTUS:** Kaikki edellä mainitut tekijät heikentävät tunnetusti punosten vahvuutta. Köyden vahvuus heikkenee suhteessa vahingoittuneeseen poikkipinta-alaan. Vahingoittuneet tai kyseenalaiset köydet tulee korvata uusilla.
- Vaihe 8.** Tarkasta, että liitäntäkoukut toimivat kunnolla ja ettei niissä ole vaurioita tai syöpyneitä kohtia. Leikarin tulee pyöriä vapaasti.
- Vaihe 9.** Tarkasta varaturvaköyden liike tarkastamalla vastaava osoitin:
- ◇ **Turvavaijerimallit (paitsi SB-sarja):** Ks. kuvaa 35: A-Kaapelinohjain; B-Kaapelinpysäytin; C-Kaapelinohjaimen holkki; D-Puskuri. Ks. kuvaa 36: A-Varaturvavaijerin punainen nauha. Jos putoaminen pysäytettiin, kun suurin osa turvavaijerista oli ulkona, varavaijeria on mahdollisesti myös tarvittu. Vedä turvavaijeri kokonaan ulos taljasta nähdäksesi, onko varavaijeria tarvittu. Jos punainen nauhaosoitin näkyy, varavaijeria on tarvittu. Jos varavaijeria ei ole

tarvittu, se osa on kunnossa ja tarkastusta voidaan jatkaa.

- ◇ **SB-sarjan mallit:** Näissä turvataljoissa ei ole varavaijeria.
- ◇ **Punotut Ultra-Lok-turvaköydet:** Tarkasta varaköyden ulostulo. Jos putoaminen pysäytettiin, kun suurin osa turvaköydestä oli ulkona, varaköyttä on mahdollisesti myös tarvittu. Vedä turvaköysi kokonaan ulos taljasta. Jos varaköyden tarra (F) on näkyvässä kuten kuvassa 7, varaköyttä on tarvittu, ja laite tulee huollattaa valtuutetussa huoltopisteessä ennen seuraavaa käyttöä. Jos varaköyttä ei ole tarvittu, tarkastusta voidaan jatkaa.
- ◇ **Synteettiset turvaköysimallit:** Tarkasta turvaköyden ulostulo. Jos putoaminen on pysäytetty, varaköyttä on ehkä tarvittu. Vedä turvaköysi kokonaan ulos taljasta nähdäksesi, onko varaköyttä tarvittu. Jos varaköyden varoitustarra (A) on näkyvässä, varaköyttä on tarvittu. Ks. kuvaa 37. Jos varaköyttä ei ole tarvittu (tarra ei ole näkyvässä), tämä osa on kunnossa ja tarkastusta voidaan jatkaa.

TÄRKEÄÄ: Jos osoitin on näkyvässä, laite tulee huollattaa valtuutetussa huoltopisteessä ennen seuraavaa käyttöä.

Vaihe 10.Tarkasta jokainen järjestelmäkomponentti ja alijärjestelmä valmistajan ohjeiden mukaisesti.

- **NOSTOKOMPONENTTIEN TARKASTUSVAIHEET:** (MALLIT 3400101, 3400102, 3400301, 3400302, 3400501, 3400502). Ks. kuvaa 2.

Vaihe 11.Tarkasta nostovarsi (A) vääntymisen tai muun vahingon varalta. Nostokahvan (B) tulee kiinnittyä nostovarteeseen helposti ja painonapin tulee toimia vapaasti.

Vaihe 12.Nostonupin (F) tulee kääntyä vapaasti kiinnitettäessä ja vapautettaessa. Nostonupin vetorenkkaan (D) tulee vetäytyä takaisin vapautettaessa.

Vaihe 13.Tarkasta nostotilan toiminta. Testaa laite nostamalla ja laskemalla testipainoa (hiekkapussia), jonka paino on 34–141 kg. Noston tulee tapahtua pehmeästi ja tasaisesti. Kun nostokahva (B) vapautetaan, paino ei saa liikkua, ja nostokahvan tulee pysyä paikallaan (ei liikettä). Noston aikana pitäisi kuulua naksahduksia.

Vaihe 14.Säpen kannen (H) (ks. kuvaa 3) tulee olla kunnolla paikallaan eikä siinä saa olla vääntymiä. Valinnaisen asennustelineen tulee olla hyvin kiinni turvataljassa ja ehjä. Lukitustapin tulee toimia vapaasti.

- **NOSTOKOMPONENTTIEN TARKASTUSVAIHEET:** (MALLIT 340854 JA 340855). Ks. kuvaa 4.

Vaihe 11.Tarkasta, ettei nostovarsi (E) ole vääntynyt tai vaurioitunut. Varmista, että nostokahva (A) voidaan kääntää ulos ja kiinnittää kampeamisasentoon.

Vaihe 12.Varmista, että lukitusruuvi (D) voidaan kiristää kunnolla.

Vaihe 13. Varmista, että nostonuppi (C) voidaan vetää ulos lukitsemattomaan asentoon ja sitten vapauttaa lukitsemaan kammien varsi (E) in sekä kytketyssä että kytkemättömässä asennossa.

Vaihe 14. Testaa nostotilan kunnollinen toiminta nostamalla ja laskemalla 34–141 kg:n testipainoa (hiekkapussi). Noston tulee tapahtua pehmeästi ja tasaisesti. Kun nostokahva (A) vapautetaan, paino ei saa liikkua, ja nostokahvan (A) tulee pysyä paikallaan (ei liikettä). Kuormaa nostettaessa tulee kuulua naksahduksia.

- **TOIMINTA VIKATAPAUKSESSA:** Ks. yleisohjeiden osaa 1.2.

TÄRKEÄÄ: *Vain Capital Safety tai sen kirjallisesti valtuuttama osapuoli saa korjata tätä varustetta.*

8.0 TUOTTEEN KÄYTTÖIKÄ

Turvataljaa voidaan käyttää niin kauan kuin se läpäisee pätevän henkilön¹ suorittaman tarkastuksen. Ks. takuutiedot yleisohjeiden osista 4.2 ja 1.16.

9.0 KUNNOSSAPITO, SÄILYTYKSEN, KULJETUS (ks. yleisohjeiden osaa 3)

• **KUNNOSSAPITO**

- ◇ Aseta turvatalja niin, että liika vesi valuu siitä pois.
- ◇ Puhdista merkintätarrat tarpeen mukaan.
- ◇ Noudata yleisohjeiden osissa 3.1 ja 3.2 mainittuja ohjeita. Liiallinen lika- ja maalikeräytymä yms. voi estää pelastusköyden vetäytymisen takaisin koteloon, mikä voi aiheuttaa vapaan putoamisen riskin. Vaihda turvaköysi uuteen, jos siinä on liiallista keräytymää.
- ◇ Älä voitele mitään osia.

VAROITUS: *Jos turvaköysi joutuu kosketuksiin happojen kanssa, se tulee ottaa pois käytöstä ja pestä vedellä ja miedolla saippualliuoksella. Tarkasta laite ennen sen ottamista uudelleen käyttöön.*

- **SÄILYTYKSEN:** Ks. yleisohjeiden osaa 3.3. Tarkasta turvatalja huolellisesti pitkällisen säilytysajan jälkeen.
- **KULJETUS:** Ks. yleisohjeiden osaa 3.4.

10.0 HUOLTO

Turvaköyden vaihto ja muut kunnossapito- ja huoltotoimenpiteet tulee antaa valtuutetun huoltopisteen suoritettaviksi. Valtuutuksen ja

¹ Pätevä henkilö: Henkilö, joka on perehtynyt valmistajan suosituksiin, ohjeisiin ja valmistettuun osaan ja joka pystyy tunnistamaan olemassa olevat ja odotettavissa olevat vaarat, jotka liittyvät putoamisenestolaiteiston valintaan, käyttöön ja kunnossapitoon.

palautusnumeron on oltava Capital Safety -yhtiön myöntämiä. Älä pura turvataljaa osiin. Ks. tarkastustaaajuutta koskevat määritelmät osasta 7.0.

11.0 TEKNISET TIEDOT JA TARRAT (KS. MALLIN LIITETTÄ)

12.0 TERMINOLOGIA

PELASTAJA: Muu kuin pelastettava henkilö tai henkilöt, jotka avustavat pelastustyössä käyttäen pelastusjärjestelmää.

PÄTEVÄ HENKILÖ: Ks. yleisohjeiden osaa 16.

Du har nyligen köpt en personskyddsutrustning (PPE) från Capital Safety som arbetar på hög höjd. Vi vill tacka dig för att du har förtroende för vår utrustning. För att kunna åtnjuta den säkerhet och komfort du förväntar dig, måste vi be dig att behålla och följa alla instruktioner. Alla användare och räddningsarbetare (se del 12 terminologi) måste läsa denna handbok innan användning.

Se ordlista i "Allmänna Instruktioner för användning och underhåll" för identifiering av nummerade föremål i en vit ruta.

1.0 ÄNDAMÅL/BESKRIVNINGAR

Capital Safety självindragande livlinor (SRL) är komponenter i personliga fallskyddssystem (PFAS). Dessa system omfattar vanligen en helkroppsele, förankringsanslutningar (dvs. karbiner) och SRL. Använd i situationer där arbetsrörlighet och fallskydd erfordras (inspektionsarbete, allmän konstruktion, underhållsarbete, oljeproduktion, arbete i trånga utrymmen, osv.).

Vissa modeller inkluderar ett räddningsalternativ*. Dessa modeller har standard fallskyddsfunktioner när de används i deras icke-räddningsläge. I räddningsläget kan dessa modeller användas för nödfallsräddningar (upp- eller nerfirning) av personal inom det kapacitetsomfång som anges nedan. Det är också tillåtet att använda räddningsmodellerna för att fira material upp eller ner inom det angivna kapacitetsomfånget.

- **IMPREGNERADE SRLS:** Capital Safety impregnerade SRLs inkorporerar en patentbelagd impregneringsteknologi som separerar alla dynamiska komponenter från främmande föremål som fett, fuktighet och smuts för driftsäkerhet under alla arbetsförhållanden. Se figur 1: A-Förankringshandtag, B-Instruktionsetikett, C-Kåpa, D-Belastningsindikatoretikett, E-ID-etikett, F-Kabelledning, G-Livlina, H-Stötfångare, I-Ferrul, J-Självlåsande snäppkrok.
 - ◇ **Impregnerade SRLs med räddningsfunktion:** Se figur 2: A-Räddningssarm, B-Räddningshandtag, C-Förvaringsram för handtag, D-Dragrिंग, E-Driftsetikett, F-Växlingsknopp, G-Räddningsetikett, H-Spärrohakehölje, I-Etikett för vridmomentsbegränsare.
- **SEALED-BLOK™ SRLS MED RÄDDNING:** Inkluderar gjuten kåpa i aluminium och grovdimensionerade ändplattor i rostfritt stål eller aluminium, antispärrbroms, inbyggt bärhandtag (förenklar transport och tillhandahåller en sekundär fästpunkt för "skydd för tappade föremål"), ett stor pivoterande förankringshandtag och en självlåsande svivelkrok med anslagskraftindikator. Se figur 3: A-Förankringshandtag, B-Kåpa, konstruktionsetikett, D-Kabelguide, E-ID-etikett, F-Livlina, G-Stötfångare, H-RFID-märke; I-Självlåsande snäppkrok.
 - ◇ **Sealed-Blok™ SRLs med räddning:** Se figur 4: A-Räddningshandtag, B-Räddningsetikett, C-Växlingsknopp, D-Låsskruv,

E-Räddningsarm (vevarm), F-Operationsetikett för vinsch,
G-RFID-etikett.

VIKTIGT: Räddningsutrustning behöver inte vara lämplig för användning som erfordrar frekvent eller ständig användning som lyftanordning för material. Rådgör med Capital Safety innan ni använder denna produkt för sådana användningsområden. Räddningsmodellerna är inte utformade för att användas för allmänna arbetspositionerings- eller personalförflyttningsändamål.

- **ULTRA-LOK® SRLs:** Capital Safety Ultra-Lok® SRLs levereras med hållbara glasfyllda polyuretankåpor, vajer- eller nätlivlina och aluminium ändplattor för maximal hållbarhet och lägsta möjliga vikt. Dessa system har en antispärr- dubbeldiskbroms med en ljudindikator för att låta dig veta att den fungerar korrekt.
- ◊ **ULTRA-LOK® VAJER- OCH SYNTETREPS-SRLs:** Inkluderar en svivelöga-förankringsfästpunkt, självlåsand svivelsnäppkrok med belastningsindikator, och ett urval av livlinor av syntetrep eller vajerar i galvaniserat eller rostfritt stål. Vajerlivlina finns tillgängliga i längderna 6,1, 9,1, 15,2 och 25,9 m. Syntetrep-livlinorna finns tillgängliga i längderna 6,1, 10,7 och 16,8 m. Se figur 5: A-Svivelöga; B-Inspektionsanteckningsetikett, C-Varningsetikett, D-Ultra-Lok-etikett, E-ID-etikett, F-Anslutningsetikett; G-Vajer eller syntetrep; H-Stötfångare; I-RFID-märke; J-RFID-märke; K-Sjävlåsand krok.
- ◊ **Framkants-SRLs:** Inkluderar svivelöga-förankringsfästpunkt, självlåsand svivelsnäppkrok med anslagskraftindikator, integral chockpaket, och 9,1 m galvaniserad vajerlivlina. Se figur 6: A-Svivelöga; B-Inspektionsanteckningsetikett, C-Varningsetikett, D-Ultra-Lok-etikett, E-Anslutningsetikett; F-Vajer; G-RFID-märke; H-Stötdämpare; I-Sjävlåsand snäppkrok.
 - **Anmärkning:** Capital Safety SRL modell 3504500 är utformad för användning i applikationer där fall över en kant kan förekomma, som vid takarbeten, framkantskonstruktion, osv. Denna modell är speciellt lämplig för bruk med ett fallskyddssystem som använder Capital Safety förankringsanslutningar avsedda för framkantsarbete. Vi rekommenderar 2105503 Svängbar betongtaksförankring.
- ◊ **ULTRA-LOK® WEB STYLE SRLs:** Inkluderar svivelöga-förankringsfästpunkt, självlåsand snäppkrok, och en 2,54 cm bred nylon nätlivlina i längderna 3,4 m och 6,1 m. Se figur 7: A-Svivelöga; Etiketter: B-Varning, C-ID, D-Belastningsindikator, E-Anslutningar, F-Motsatt livlina; G-RFID-märke; H-Nätlivlina; I-Indikatorslinga; I-Kopplingskrok.
- **SB SERIES SRLs:** Inkluderar slitstark kåpa av gjuten aluminium, antispärrdiskbromssystem, motståndskraftig förankringsbygel av stål, reservfasthållning av livlina, och självlåsand svivelsnäppkrok med belastningsindikator. Se figur 8: A-Bygel; B-Belastningsindika-

tor, C-SALA-etikett, D-Belastningsindikator-etikett, E-Varnings-etikett, F-Specifikationsetikett, G-Instruktionsetikett (vänster sida), H-ID Etikett, I-Instruktionsetikett (höger sida); J-Vajer; K-RFID-märke; L-Droppformad hylsa; M-Självlåsande svivelsnäppkrok; N-Krokalternativ.

VIKTIGT: Se delar 1.1 och 1.3 i denna handbok innan ni använder denna utrustning.

VIKTIGT: Före användning av denna utrustning, anteckna produktidentifieringsinformation från ID-etikett (1) i utrustningsidentifieringsbladet i slutet av denna handbok.

2.0 KRAV: Installation och användning av denna utrustning är begränsad av följande inskränkningar:

- **KAPACITET:** En person. Det får aldrig vara mer än person kopplad till en enda SRL för fallstoppsapplikationer. Räddningsapplikationer kan variera för varje modell. Se Modellbilaga för mer information.
- **LÅSHASTIGHET:** Situationer som inte tillåter en obehindrad fallväg måste undvikas. Exempel inkluderar: att arbeta i ett begränsat, trångt utrymme, på material som rör sig långsamt (som sand eller sädeskorn) eller på ett svagt sluttande tak där en arbetare kan glida istället för att falla. Dessa situationer kanske inte tillåter kroppen att nå en tillräckligt hög hastighet för att SRLn att låsa sig om ett fall inträffar. En fri väg är nödvändig för att säkerställa säker låsning av SRL.
- **FYSISKA RISKER OCH MILJÖRISKER:** När denna utrustning används i miljöfarliga områden kan det vara nödvändigt att sätta in ytterligare försiktighetsåtgärder för att minska skaderisken för användaren eller skador på utrustningen. Faror kan omfatta, men är inte begränsade till:
 - ◇ **Korrosion:** Lämna inte denna utrustning för långa tidsperioder i miljöer där korrosion av metalleder skulle kunna inträffa som ett resultat av ångor från organiska material. Iakttta försiktighet vid arbete kring avloppsvatten eller gödselämnen på grund av deras höga koncentrationer av ammoniak, som är mycket frätande. Vid användning nära havsvatten eller andra frätande miljöer kan mer frekventa kontroller eller service (utbyten) krävas för att säkerställa att korrosionskada inte påverkar produktens funktion.
 - ◇ **Kemisk:** Lösningar som innehåller syror, alkali eller andra frätande kemikalier, speciellt vid förhöjda temperaturer, kan skada DBI-SALA SRLs. Vid arbete med sådana kemikalier, måste frekventa inspektioner av hela SRLn genomföras. Kemisk skada på livlina är svår att upptäcka och det rekommenderas att livlinan ersätts med jämna mellanrum för att garantera säkerheten. Livlinan får endast ersättas av ett auktoriserat servicecenter.

- ◇ **Värme:** Denna utrustning är inte utformad för användning i miljöer med höga temperaturer. Tillhandahåll skydd för denna utrustning när den används nära svetsning, metallskärning, eller liknande aktiviteter. Heta gnistor kan bränna eller skada denna utrustning.
 - **Anmärkning:** Syntetrepplivlinor är inte brandsäkra och får inte utsättas för höga temperaturer. Använd inte i de följande miljöerna eller kontaktytorna över de angivna specifika temperaturerna:
 - Spectrarep till 60° C
 - Vectranrep till 120° C
- ◇ **Elektricitet:** På grund av möjligheten av en elektrisk ström genom vajerlivlinan, iaktta extrem försiktighet vid arbete nära högspänningslinor.

Kontakta Capital Safety om du har några frågor om användningen av denna utrustning där fysiska risker eller miljörisker förekommer.

VIKTIGT: Referera till tillämpliga normer för denna utrustning för mer information om personlig fallstopp- eller dämpningssystem och förknippade systemkomponenter.

- **KOMPONENTERNAS KOMPABILITET:** Utrustningen är endast konstruerad för användning med Capital Safetys godkända komponenter och undersystem. Se också del 1.12 i denna handbok.
- **ANSLUTNINGARNAS KOMPABILITET OCH ATT GÖRA ANSLUTNINGAR:** Anslutningar (krokar, karbiner, D-ringar) måste kunna motstå åtminstone 22 kN. Anslutningarna måste vara kompatibla med förankringen och andra systemkomponenter och uppfylla EN362 normerna. Se figur 9: A-Förankring; B-Anslutning; C-Förankringsanslutning, D-Monteringsram; E-Trefotsben. Se även del 5 och figurer för EN362.
- **FÖRANKRINGSSTYRKA:** Den erforderade förankringsstyrkan beror på typen av applikation. Förankringar måste uppfylla kraven i EN795. Se också del 12 i denna handbok.
- **HORISONTELLA SYSTEM:** I applikationer där en SRL används tillsammans med ett horisontellt system (dvs. horisontella I-bjälkar och rullvagnar), så måste SRLn och komponenterna i det horisontella systemet vara kompatibla. Horisontella system måste utformas och installeras under övervakning av en kvalificerad ingenjör.
- **ALTERNATIVT RÄDDNINGSSYSTEM:** När en SRL används med ett alternativt räddningssystem, säkerställ att stödstrukturen (dvs. trefot, däckarm) är kompatibel med SRLs anslutning, drift, stabilitet och styrka. Se figur 10-Alternativ montering för modell 3400614: A-Hex låsmutter, M12 x 1,75, zinkbeklädd (ZP); B-Hex huvudbult, M12 x 1,75 x 25 cm, metersystem mutter klass 8,8, ZP;

C-Monteringsyta; D-Använd bricker såsom erfordras; E-bricka, 12 mm, ZP, 5 typisk; F-Hex huvudbult, M12 x 1,75 x 8 cm, metersystem mutter klass 8,8, ZP.

3.0 UTBILDNING

Användarna av denna utrustning ansvarar för att de förstår dessa instruktioner, och att vara utbildade i riktig installation, användning och underhåll av denna utrustning. Denna bruksanvisning är ingen ersättning för ett utbildningsprogram.

VIKTIGT: Läs del 1.1 i denna handbok angående träning.

4.0 PLANERING

FÖRE VARJE ANVÄNDNING: Läs del 1.1 "Före varje användning" i denna handbok och inspektera SRLn noggrant för att säkerställa att den är i gott arbetsskick genom att följa stegen i del 7.0. Gör dessutom det följande:

- Säkerställ att alla bultar finns på plats och är säkrade.
- Dra ut linan och tillåt den att långsamt dras in. Om det finns någon tvekan under indragningen, skall enheten återsändas till Capital Safety för service.
- Kontrollera låsfunktionen genom att dra hårt i linan.
- Använd inte utrustningen om kontrollen visar osäkra förhållanden.

VIKTIGT: Läs delar 1.3, 1.4, 1.12 i denna handbok när du planerar ditt system.

PLANERING: Planera ditt fallskyddssystem innan ni påbörjar något arbete. Beakta faktorer som kan påverka din säkerhet före, under och efter ett fall. Den följande listan innehåller några viktiga saker att tänka på:

- **FÖRANKRING:** Välj en rigid förankringspunkt (se figur 9). Se mer om förankringsstyrka i del 2.0. Välj omsorgsfullt förankringsplatsen för att reducera risken av fria fall och svängfall. Alternativ montering för räddningssystem behandlas i del 2.0.

VIKTIGT: Endast SRLs som kan användas i ett horisontellt läge (indikeras på etiketten), såsom framkants-SRLn, får förankras i nivå med fötterna eller ovan. Se figur 12. Alla andra SRLs måste förankras ovanför helkroppselens fäste (indikeras på etiketten).
Se figur 11

- **SVÄNGFALL:** Svängfall förekommer när förankringspunkten inte befinner sig rakt ovanför den punkt där ett fall uppstår. Se figur 13. Kraften med vilken ett föremål träffas under ett svängfall kan orsaka allvarlig personskada. Under ett svängfall så kommer det totala vertikala fallavståndet att vara längre än om användaren hade fallit

rakt nedanför förankringspunkten, vilket därigenom förlänger det totala avståndet av det fria fallet och distansen som erfordras för att stoppa användaren säkert. SRLn aktiveras oavsett dess position i förhållande till användaren. Granska din specifika applikation för att fastställa hur stor arbetszonen lämpligen bör vara. Minimera risken för svängfall genom att arbeta så direkt nedanför förankringspunkten som möjligt. Tillåt aldrig ett svängfall om det kan orsaka personskada. Om det finns risk för svängfall i er applikation, kontaktar ni Capital Safety innan ni fortsätter.

- **FALLRUM:** Säkerställ att det finns ett adekvat fallrum i din fallbana för att förhindra att ett föremål träffas. Den minsta möjliga säkerhetsmarginalen är 4,5 m från den dorsala (ryggsidan) D-ringsnivån till nästa nivå av hinder eller föremål. Se figur 14. Ytterligare fallrum erfordras om det finns risk för ett svängfall.
- **SKARPA KANTER:** Undvik att arbeta där livlinan kommer att vara i kontakt med eller gnidas mot oskyddade skarpa kanter. Tillhandahåll skydd för livlinan när detta är möjligt. En energiabsorberande komponent kan ibland tillfogas in-line för att skydda arbetaren ytterligare. Kompatibilitet och totalt fallavstånd måste beaktas om detta har gjorts. Kontakta Capital Safety innan ni använder en in-line energiabsorberande komponent eller taljerep med en SRL.

VIKTIGT: Även om Framkants-SRLn (modell 3504500) tillhandahåller ytterligare skydd från fall som sker över kanter, måste skydd mot skärsår tillhandahållas vid arbete nära mycket vassa kanter, såsom klippt, kallbräckt eller svetsskuren stål. Kantskydd erfordras inte för kanter av varmbräckt stål, ståldäck, betong eller trä.

- **RÄDDNING:** Om ett fall inträffar, måste arbetsledaren ha en räddningsplan och kapacitet att utföra en räddningsinsats.
- **EFTER ETT FALL:** Utrustning som har varit utsatt för fallstoppskrafter måste tas ur bruk och inspekteras. Se del 7.
- **ANDRA HÄNSYNSTAGANDEN:** Undvik arbete där din lina kan korsa eller tvinna sig med annan arbetares lina, eller med annat föremål. Tillåt inte livlinan att passera under armar eller mellan ben. Du får aldrig klämma, knyta eller på annat sätt förhindra livlinan från att kunna dras in eller vara spänd. Undvik slak lina. Vira inte livlinan runt små strukturella element.

VIKTIGT: Läs och följ tillverkarens instruktioner för åtföljande utrustning (dvs. helkroppsele) som används i ditt personliga fallstoppsystem.

VIKTIGT: För speciella (skräddarsydda) versioner av denna produkt, följ instruktionerna som tillhandahålls i denna handbok. Se bilaga, om sådan inkluderats, för ytterligare instruktioner vid användning av en skräddarsydd produkt.

5.0 HOPSÄTTNING OCH INSTALLATION

- **KROPPSSTÖD:** Vid användning av Capital Safety SRLs så måste en helkroppsele (EN361) användas. För allmänt fallskydd, anslut till den dorsala (ryggsidan) D-ringen mellan skuldrorna.
 - ◇ **Räddningsoperationer:** Användning av en helkroppsele rekommenderas för att rädda offret, under förutsättning att deras medicinska tillstånd tillåter en sådan räddning. Modeller finns tillgängliga med räddningsanslutningar (axel D-ringar) uppe på axlarna för att hjälpa till under räddningsoperationer.

VARNING: Kroppsbälten är inte tillåtna vid situationer med fria fall. Kroppsbälten ökar risken för skador under fallstopp jämfört med en helkroppsele. Begränsad upphängningstid och risk för felaktig användning av kroppsbältet kan resultera i ökad fara för användarens hälsa. Se även del 2.0 i denna handbok.

- **ATT GÖRA ANSLUTNINGAR:** När en krok eller karbin används för att göra en anslutning, säkerställ att en öppning av dessa inte kan ske. Se del 2.0, "Kompatibilitet av anslutningar". Se figur 15. Använd en låsande snäppkrok eller karbin (A) som helt sluter över förankringen (B) eller förankringsanslutningen (C). Det rekommenderas att modell 340614 fästs vid en struktur i en fixerad position (istället för hängande) med den levererade hårdvaran. Monteringsytan skall uppfylla de krav på förankringsstyrka som finns i del 2.0, "Förankringsstyrka". Följ de instruktioner från tillverkaren som tillhandahålls med varje systemkomponent.

6.0 ANVÄNDNING

Se figur 16. Anslut SRLn (A) till en lämplig förankring (B). Anslut den självlåsande snäppkroken (C) till fallstoppet eller steglättringstillsetsen (D) på helkroppsele (E). Se figur 17. Säkerställ att anslutningarna är kompatibla och att kroken är helt stängd och låst. När arbetaren är fastsatt, är denne fri att röra sig inom det rekommenderade arbetsområdet med normal fart. Livlinan skall utsträckas jämnt och dras in utan tvekan. Livlinan måste vara alltid spänd då den används. Om en situation med slak lina uppkommer under användning, skall enheten återsändas till Capital Safety för service. Om ett fall inträffar, kommer SRLn att låsa sig och stoppa fallet.

VARNING: Efter räddning, ta SRLn ur bruk. Se del 12 i denna handbok.

Inspektera enligt beskrivningen i del 7.0, "Efter ett fallstopp". Vid arbete med en SRL, låt alltid livlinan dras in i anordningen på ett kontrollerat sätt. En kort tamplina kan erfordras för att sträcka ut eller dra in livlinan under anslutning och bortkoppling. Att låta livlinan vara fullt utsträckt under långa perioder kan orsaka en förtidig försvagning av indragningsfjädern.

- **RÄDDNINGSSYSTEMSDRIFT** (MODELLERNA 3400101, 3400102, 3400301, 3400302, 3400501, 3400502): Figur 17 visar hur räddningsläget aktiveras. Ta bort räddningshandtaget på baksidan av SRLn genom att trycka på toppen av handtaget och dra uppåt. Installera pinnen i hålet i änden på räddningsarmen. Roter armanordningen till sidan för att komma åt växlingsknoppen. Lyft dragringen (på växlingsknoppen), rotera den motsols 1/8-del, och släpp. Roter räddningsarmen medsols för att hjälpa inkopplingen. **Växlingsknoppen skall röra sig inåt och rotera till en helt låst position när drivverket är helt inkopplat.**

◇ **Att fira upp:** Roter räddningsarmen motsols.

◇ **Att fira ner:** Roter räddningsarmen medsols. Håll alltid livlinan spänd (34 kg minimum).

VIKTIGT: En lägsta belastning på 34 kg erfordras för att fira ner eller mata ut linan.

VIKTIGT: Om ett fall inträffar i fallstoppsläget och arbetaren måste firas ner till säkerhet, fira upp arbetaren något för att frigöra låsspärrhakarna och fira sedan ner arbetaren.

VIKTIGT: Fortsätt inte att rotera räddningsarmen neråt efter kabeln är helt utsträckt. Skador på fjädern kan uppstå.

◇ **Urkoppling av räddningsläget:** Avlägsna belastningen från livlinan. Roter växlingsknoppen motsols 1/8-del, dra ut ringen, och rotera växlingsknoppen medsols 1/8-del. Släpp dragringen. Avlägsna räddningshandtaget från räddningsarmen och placera i förvaringsramen. Sätt in räddningshandtagets pinne genom handtaget och in i förvaringsramen.

◇ **Räddningsöverbelastningsfunktion:** SRLs som inorporerar räddningsfunktionen (såsom visad i figur 17) är utrustade med en överbelastningskoppling som skyddar drivkomponenterna och personen som firas upp från alltför starka krafter. Samma funktion tillhandahåller stötdämpning för användaren om ett fall inträffar när räddningsläget är inkopplat. Överbelastningskopplingen är inställd till att släppa vid ungefär 227 kg för att tillåta applikationer av räddningar i nödfall där ytterligare lyftkapacitet erfordras.

VIKTIGT: Kapaciteten för räddningsoperationer är 210 kg.

VIKTIGT: Att använda räddningssystemet vid belastningar som är större än den fastställda kapaciteten reducerar den totala säkerhetsgraden. Alla enheter som har använts över den fastställda kapaciteten måste tas ur bruk och återsändas till Capital Safety för inspektion.

- ◇ **Montering av räddningsmodeller:** SRL-räddningsmodellerna som visas i figur 1 och 2 kan användas med alternativa fästånordningar (Capital Safety del nummer 3401123 and 3401090) för montering på Capital Safety-trefoten, dävertarmen eller stegmasten. Följ stegen nedan för montering och användning av dessa fästånordningar.

VIKTIGT: Om fästånordningen för trefotbenet inte är fastsatt, positionera tvingplattan i den önskade positionen på benet och skruva åt bultarna till 20 Nm. Skruva inte för hårt.

- Steg 1.** Fäst fästånordningen på SRL genom att sätta in de två bultarna genom hålen i SRL-kåpan. Fäst bultarna och säkra. Se figur 18.
 - Steg 2.** Efter fästånordningen säkrats vid SRLn, positionera SRL-fästånordningen på trefotens, dävertarmens eller stegmastens fästånordning. Öppningen i änden på SRL-fästånordningen glider på pinnen som sticker ut på vardera sida av fästånordningen. Positionera om trefotsbenfästet såsom erfordras för lämplig driftshöjd. Se figur 19.
 - Steg 3.** När anordningen vilar på pinnen, sväng toppen på SRL inåt för att rikta hålen. Tryck in knappen på änden av spärrhakepinnen, och låt pinnen glida in fullständigt för att säkra SRL-anordningen till trefoten, dävertarmen eller stegmasten. Se figur 20.
 - Steg 4.** Sträck ut kabel upp på stödstrukturen och över hissblocken. Återinstallera spärrhakepinnarna nära hissblocket för att förhindra att kabeln glider av hissblocken. Se figur 21. Figurer 22 och 23 visar en färdigställd förbindelse.
- **RÄDDNINGSSYSTEMSOPERATION (MODELLERNA 340854 OCH 340855) (EN360:2002 OCH EN1496:2006 KLASSERNA A, B):** Figur 4 identifierar nyckelkomponenter i räddningssystemet. För att aktivera räddningssystemet, rotera låsningsskruven (D) neråt fullständigt för att frigöra vevarmen (E). Sväng ut handtaget (A) från förvaringspositionen. För att koppla in vinschen, dra och håll växlingsknappen (C) i den olåsta positionen. Tryck in vevarmen (E) i den inkopplade positionen och frigör växlingsknappen (C). Om så erfordras, rotera vevarmen medsols (sänkande) för att hjälpa till med växelns inkoppling.

- ◇ **Fira upp:** Röttera vevaxeln motsols. Räddningsanordningen för uppfinning skall endast användas om en obehindrad lyftprocess är möjlig och skall inte användas om hinder utgör en risk.
- ◇ **Fira ner:** Veva först vevaxeln motsols att frigöra fallstoppsbromsen, veva sedan medsols. Funktionen för nerfinning är endast avsedd för att fira ner en person ett maximalt avstånd av 2 m.

VIKTIGT: En lägsta belastning på 34 kg erfordras för att sänka eller mata ut linan. Den maximala belastningen för denna anordning är 141 kg. En kraft av upp till 13 kg på räddningshandtaget erfordras för att använda vinschen när den är belastad till sin kapacitet. Dessutom skall de alltid finnas direkt eller indirekt visuell kontakt eller något annat sätt att kommunicera med den ska räddas under räddningsprocessen.

VARNING: Sluta att veva när linan är helt utsträckt eller indragen. Fortsatt vevande kan skada komponenterna.

- ◇ **Urkoppling av räddningsläget:** Avlägsna alla belastningar från livlinan. Dra och håll växlingsknoppen i den olåsta positionen. Dra ut vevarmen till den lösgjorda positionen och frigör växlingsknoppen. Säkra vevarmen med låsningsskruven. Dra ut räddningshandtaget och rotera handtaget till förvaringspositionen.
- ◇ **Räddningsöverbelastningsfunktion:** Vinscher på SRL modeller-na (såsom visas i figur 4) inorporerar inte en överbelastningskoppling för att begränsa kraften som anbringas på drivkomponenterna och person som firas upp. Försiktighet måste iaktas för att undvika en slak lina när räddningsläget är i funktion. Dessutom måste individen övervakas under räddningen för att säkerställa att denne inte fastnar och utsätts för alltför starka krafter från den pågående uppfinningen.

VIKTIGT: Att använda räddningssystemet vid belastningar som är större än den fastställda kapaciteten reducerar den totala säkerhetsgraden. Alla enheter som har använts över den fastställda kapaciteten måste tas ur bruk och återsändas till Capital Safety för inspektion.

- ◇ **Montering av räddningsmodeller:** SRL-räddningsmodeller (som sji-wm i figurerna 3 och 4) kan användas med ett alternativt fäste (modell 3401025) för montering på Capital Safetys trefot, dävartarm eller stegmast. Följ stegen nedan för montering och användning av detta fäste.

VIKTIGT: Om fästeanordningen för trefotbenet inte är fastsatt, positionera tvingplattan i den önskade positionen på benet och skruva åt bultarna till 20 Nm. Skruva inte för hårt.

Steg 1. Avlägsna de tre fastsatta skruvarna som täpper hålen i

sidan på SRL-kåpan. Se figur 24.

- Steg 2.** Fäst fästnanordningen på SRL genom att sätta in de tre bultarna genom hålen i SRL-kåpan. Se figur 25.
- Steg 3.** Efter fästnanordningen säkrats vid SRLn, positionera SRL-fästnanordningen på trefotens, dävertarmens eller stegmastens fästnanordning. Öppningen i änden på SRL-fästnanordningen sticker ut på vardera sida av den motsvarande stegmasten, dävertarmen eller trefotsbenfästet. Positionera om trefotsbenfästet såsom erfordras för lämplig driftshöjd. Se figur 26.
- Steg 4.** När anordningen vilar på pinnen, sväng toppen på SRL inåt för att rikta hålen. Tryck in knappen på änden av spärrhakepinnen, och låt pinnen glida in fullständigt för att säkra SRL-anordningen till trefoten, dävertarmen eller stegmasten. Se figur 27.
- Steg 5.** Sträck ut kabel upp på stödstrukturen och över hissblocken. Återinstallera spärrhakepinnarna nära hissblocket för att förhindra att kabeln glider av hissblocken. Se figur 28.

7.0 INSPEKTION

Det är möjligt att använda i-Safe™ RFID-märket tillsammans med den bärbara i-Safe-avläsningseenheten och webbportalen för att underlätta inspektion och inventariekontroll och tillhandahålla resultat för din fallskyddsutrustning. Se figur 29.

- **FREKVENNS:** Inspektera SRL före varje användning enligt inspektionsstegen nedan. SRL måste inspekteras av en kompetent person annan än användaren minst en gång om året. Om du är en förstagångsanvändare, kontakta en representant för kundservice, eller, om du redan har registrerat dig, gå till: www.capitalsafety.com/isafe.html. Följ instruktionerna som tillhandahålls i er i-Safe handhållna läsare eller på webbportalen för att överföra data till er webblogg. Registrera resultaten av varje formell inspektion i handbokens Regelbundna undersökningar och Reparationshistorik (5902392) eller använd i-Safe™ webbportalen för inspektioner för att upprätthålla dina inspektionsregister. Se del 4 i denna handbok.

Ett register med årliga servicedatum kan återfinnas på SRL-etiketterna.

- ◇ **Efter fallstopp:** Inspektera belastningskraftindikatorn och hela SRLn.
- ◇ **Efter användning av räddningsläge:** Efter upp- eller nerfirning, inspektera belastningsindikatorn och hela SRL. Applikationer som erfordrar kontinuerlig upp- och nerfirning kan erfordra flera inspektioner och servicetillfällen. Kontakta Capital Safety om du har några frågor om inspektionsfrekvens.

VARNING: Se del 1.2 i denna handbok om SRLn har utsatts för fallstopp eller belastning.

VIKTIGT: Extrema arbetssituationer (hård miljö, lång användning osv.) kan erfordra att inspektion görs oftare.

• **ALLMÄNNA INSPEKTIONSSTEG:**

Steg 1. Kontrollera att det inte finns lösa skruvar, böjda eller skadade delar.

Steg 2. Kontrollera att kåpan inte är skev, sprucken eller skadad på annat sätt.

Endast UltraLok-modeller: Säkerställ att svivelögat inte är skadat eller skevt på något sätt. Säkerställ att svivelögat svänger fritt.

Endast SB-serien: Säkerställ att bygelns rör sig fritt och är fri från skevheter, sprickor, missformningar och slitna delar. Säkerställ att bulten är fullständigt fastskruvad.

Steg 3. Inspektera belastningsindikatorn. Denna inspektion beror på vilken typ av SRL som används. Följ de detaljerade instruktionerna för din SRL-typ:

◇ **UltraLok kabel- och reptyps-SRLs:** Se figur 30. Inspektera belastningsindikatorn (A). I "normalläge" (B) ska du titta efter exponerad färgband (C) på kroken. Om kroken är i "indikeringsläge" (D), så har en belastning inträffat.

• **Anmärkning:** Försök inte att återställa belastningsindikatorn. Sviveln svänger inte fritt i "indikeringsläge".

◇ **SB SRLs:** Se figur 31. Kontrollera den röda belastningsindikatorknappen (A), för att säkerställa att den är jämn med kåpan. Om knappen inte är jämn med kåpan, så har blocket använts.

◇ **UltraLok SRLs av nättyp:** Se figur 32. Dessa SRLs inkorporerar en belastningsindikator i nätlivlinan (A). Nätet nära krokänden (B) på livlinan viks på sig själv och stickas med röd tråd, för att forma en liten ögla (C). Den stickade ögla drar ut med ungefär 1,6 kN. Om den röda sytråden är intakt, så SRLn inte utsatts för belastning. Om den röda sytråden har brutits och ögla rivits sönder (D), så har SRLn utsatts för anslag.

◇ **UltraLok SRLs av framkantstyp:** Se figur 33. 3504500 SRLs av framkantstyp inkorporerar en integrerad energiabsorberande komponent. Inspektera energiabsorberaren för att fastställa om den har aktiverats. Det skall inte finnas några tecken på förlängning (B). Säkerställ att energiabsorberarens hölje (A) är säker och inte riven eller skadad.

WARNING: Om en defekt upptäcks vid inspektion, undandra SRLn från användning omedelbart och kontakta ett auktoriserat servicecenter.

Steg 4. Livlinan skall dras ut och dras in utan att tveka eller skapa en slak lina. Livlinan måste vara spänd (utsatt för spänning). Säkerställ att anordningen låser sig när man drar i livlinan hårt. Upplåsningen ska ske smidigt, utan slirande.

Steg 5. Etiketterna måste sitta på plats och vara fullt läsliga. Se modellbilaga.

Steg 6. Titta efter tecken på korrosion på hela enheten.

Steg 7. Inspektera livlinan.

◇ **Vajerrepmodeller:** Se figur 34. Inspektera livlinan för brott, knutar (A), brustna vajersträngar (B), bird-caging (C), korrosion, svetsstänk (D), kemiska kontaktytor eller svårt slitna områden. För upp kabelstötfångaren och inspektera ferrulerna för sprickor eller skador och inspektera vajern för korrosion och brustna vajersträngar.

- **Anmärkning:** Byt ut vajerrepanordningen om det finns mer än sex slumpmässigt distribuerade brustna vajersträngar i en "vridning". En "vridning" i vajerrepet är den längd på vajerrepet som det krävs för en fiber (den större gruppen av vajersträngar) att vrida sig ett helt varv längs repet. Byt ut vajerrepanordningen om det finns några brustna vajersträngar inom 25 mm från ferrulerna.

◇ **Nät- eller syntetrepsmodeller:** Se figur 34. Inspektera livlinan för koncentrerat slitage, fransiga trådar (E), brustet garn, brännskador (F), brott (G), och avskavningar. Hela livlinan måste vara fri från knutar. Inspektera för kraftig nedsmutsning (H), färgansamling, och rostfläckar. Kontrollera med avseende på kemiska skador eller vämeskador som visas av bruna, missfärgade eller sköra områden. Kontrollera med avseende på ultravioletta skador som visas genom missfärgning och förekomsten av stickor och flisor på livlinans yta.

- ANMÄRKNING: Alla ovanstående faktorer reducerar repstyrka. Repstyrka reduceras i proportion till den tvärsnittsytan av repet som är skadat. Skadade eller ifrågasatta rep måste bytas ut.

WARNING: Bind eller knyt inte livlinan. Undvik kontakt mellan livlinan och vassa, skavande ytor. Inspektera livlinan ofta för brott, fransar, brännskador eller tecken på kemisk skada. Smuts, föroreningar och vatten kan reducera livlinans dielektriska egenskaper. Iaktta försiktighet nära elledning.

Steg 8. Inspektera anslutningskrokar, om dessa finns, för tecken på skada, korrosion och arbetsskick. Sviveln skall svänga fritt.

Steg 9. Inspektera utmatningen av reservlivlinan, om denna finns,

genom att kontrollera indikatorer:

- ◇ **Livlinamodeller av vajerrep (förutom SB-serien):** Se figur 35: A-Kabelledare; B-Kabelstopp; C-Kabelledarefodral; D-Stötdämpare. Se figur 36: A-Rött band för reservlivlina. Om ett fall har stoppats när största delen av livlinan var utdragen, så är det möjligt att reservlivlinan har använts. För att inspektera användning av reservlivlinan, dra livlinan ut ur SRLn tills den stannar. Om rödbandsindikatorn är synlig, så har reservlivlinan använts. Om reservlivlinan inte har använts, så är denna del acceptabel och inspektionen kan fortsätta.
- ◇ **Modeller av SB-serien:** Dessa SRLs har inte en reservlivlinafunktion.
- ◇ **UltraLok nätlivlinamodeller:** Inspektera utmatningen av reservlivlinan. Om ett fall har stoppats när största delen av livlinan var utdragen, så är det möjligt att reservlivlinan har använts. Dra livlinan ut ur SRLn till den stoppar. Om reservlivlinans etikett (F) är synlig, såsom visas i figur 7, så har reservlivlinan använts och enheten måste in på service hos ett auktoriserat servicecenter innan den kan återanvändas. Om reservlivlinan inte har använts, fortsätt inspektionen.
- ◇ **Livlinamodeller av syntetrep:** Inspektera utmatningen av reservlivlinan. Om ett fall har stoppats, så är det möjligt att reservlivlinan har använts. För att inspektera användning av reservlivlinan, dra livlinan ut ur SRLn tills den stannar. Om reservlivlinans varningsetikett (A) är synlig, så har reservlivlinan använts. Se figur 37. Om reservlivlinan inte har använts (reservlivlinans etikett är inte synlig) så är den delen acceptabel och inspektionen kan fortsätta.

VIKTIGT: Om indikatorer är synliga, så måste enheten in på service hos ett auktoriserat servicecenter innan återanvändning.

Steg 10. Kontrollera varje systemkomponent och undersystem enligt tillverkarens instruktioner.

- **INSPEKTIONSSTEG FÖR RÄDDNINGSKOMPONENTER:** (MODELLER 3400101, 3400102, 3400301, 3400302, 3400501, 3400502) Se figur 2

Steg 11. Inspektera räddningsarm (A) för skevhet eller annan skada. Räddningshandtag (B) skall inkopplas med räddningsarm enkelt och tryckknappen skall fungera obehindrat.

Steg 12. Växlingsknopp (F) skall rotera fritt när den förbinder/lösgör. Dra ring (D) på växlingsknoppen, som bör fjädra tillbaka när den släpps.

Steg 13. Inspektera räddningsläge för operation. För att testa, fira en testvikt (sandsäck) mellan 34 och 141 kg upp och ner. Räddningsoperationen skall vara ledig och jämn. När räddningshandtaget (B) släpps, skall vikten inte flytta på

sig och handtaget skall förbli i sin position (ingen rörelse). Ett "klickande" ljud skall höras när en belastning firas upp.

Steg 14. Spärrhakehöljet (H) (se figur 3) måste vara säkrad och utan deformationer. Alternativa monteringsfästen måste vara säkert fästa vid SRLn och fria från defekter. Spärrhakepinnen måste kunna röra sig fritt.

• **INSPEKTIONSSTEG FÖR RÄDDNINGSKOMPONENTER:**
(MODELLER 340854 and 340855) Se figur 4

Steg 11. Inspektera räddningsarm (E) för skevhet eller annan skada. Säkerställ att räddningshandtaget (A) kan svänga ut och säkras i vevpositionen.

Steg 12. Säkerställ att låsningsskruv (D) kan skruvas åt fullständigt.

Steg 13. Säkerställ att växlingsknoppen (C) kan dras ut till den olåsta positionen och sedan frigöras, så att den låser vevarmen (E) i både den förbundna och lös gjorda positionen.

Steg 14. Testa räddningsläget för korrekt operation genom att fira en testvikt på mellan 34 och 141 kg (sandsäck) upp och ner. Räddningsoperationen skall vara ledig och jämn. När räddningshandtaget (A) släpps, skall vikten inte flytta på sig och räddningshandtaget (A) skall förbli i sin position (ingen rörelse). Ett "klickande" ljud skall höras när en belastning firas upp.

• **PROCEDUR FÖR DEFEKT TILLSTÅND:** Se del 1.2 i denna handbok.

VIKTIGT: Endast Capital Safety eller annan skriftligen auktoriserad part får utföra reparationer på denna utrustning.

8.0 PRODUKTENS LIVSLÄNGD

Så länge SRLn godkänns vid inspektion av en kompetent person¹, så får den användas. Se del 4.2 och del 1.16 i denna handbok för information om garantin.

9.0 UNDERHÅLL, FÖRVARING, TRANSPORT (Se del 3 i denna handbok)

• **UNDERHÅLL:**

- ◇ Placera SRLn så att överskottsvatten kan rinna av.
- ◇ Rengör etiketter efter behov.
- ◇ Följ delar 3.1 och 3.2 i denna handbok. Stor ackumulering av smuts, färg, osv. kan hindra livlinan från dras tillbaka in i kåpan fullständigt och därmed förorsaka en potentiell fara för fritt fall. Byt ut livlinan om stor ackumulering skett.

¹ Kompetent person: en person som känner till tillverkarens rekommendationer, instruktioner och tillverkningskomponenter och som kan identifiera rådande faror och förutsägbara faror vid lämpligt val, användning och underhåll av fallskydd.

◇ Smörj inga delar.

VARNING: Om livlinan kommer i kontakt med syror, ta enheten ur bruk och tvätta med vatten och en mild tvållösning. Inspektera enheten innan den används igen.

- **FÖRVARING:** Se del 3.3 i denna handbok. Inspektera SRLn noggrant efter en längre period av förvaring.
- **TRANSPORT:** Se del 3.4 i denna handbok.

10.0 SERVICE

Ersättning av livlina, så väl som ytterligare underhåll och serviceprocedurer, måste utföras av ett auktoriserat servicecenter. Ett auktoriserings- och ett returnnummer måste utfärdas av Capital Safety. Montera inte isär SRL. Se del 7.0 för inspektionsfrekvens.

11.0 SPECIFIKATIONER OCH ETIKETTER (SE MODELLBILAGA)

12.0 TERMINOLOGI

RÄDDNINGSPERSON: Person eller personer utom personen som ska räddas som agerar för att utföra en assisterad räddning genom operationen av ett räddningssystem.

KOMPETENT PERSON: Se del 16 i denna handbok.

3000057	3400101	3400519	3504400	3504440
3000058	3400102	3400614	3504422	3504443
3000059	3400102/A	3400803	3504424	3504444
3000070	3400201	3400803/A	3504425	3504445
3000071	3400202	3400804	3504426	3504446
3000072	3400202/A	3400804/A	3504427	3504447
3000075	3400212	3400805	3504428	3504448
3000076	3400213	3400806	3504429	3504449
3000077	3400215	3400828	3504430	3504451/A
3000150	3400220	3400829	3504431	3504465
3000151	3400301	3400830	3504431/A	3504466
3000152	3400302	3400830/A	3504432	3504467
3103116	3400302/A	3400831	3504433	3504480
3103116/A	3400319	3400832	3504433/A	3504481
3103137	3400321	3400837	3504434	3504486/A
3103229	3400401	3400839	3504434/A	3504489
3103229/A	3400402	3400854	3504436	3504490
3103239	3400402/A	3400855	3504437	3504491
3400001	3400502	3400856	3504438	3504503
3400002	3400518	3400869	3504439	3504601



The Ultimate in Fall Protection

CSG USA & Latin America

3833 SALA Way
 Red Wing, MN 55066-5005
 Toll Free: 800.328.6146
 Phone: 651.388.8282
 Fax: 651.388.5065
solutions@capitalsafety.com

CSG EMEA

(Europe, Middle East, Africa)

Le Broc Center
 Z.I. 1ère Avenue
 5600 M.B.P. 15 06511
 Carros
 Le Broc Cedex
 France
 Phone: +33 4 97 10 00 10
 Fax: +33 4 93 08 79 70
information@capitalsafety.com

CSG Canada

260 Export Boulevard
 Mississauga, ON L5S 1Y9
 Phone: 905.795.9333
 Toll-Free: 800.387.7484
 Fax: 888.387.7484
info.ca@capitalsafety.com

CSG Australia & New Zealand

95 Derby Street
 Silverwater
 Sydney NSW 2128
 AUSTRALIA
 Phone: +(61) 2 8753 7600
 Toll-Free : 1 800 245 002 (AUS)
 Toll-Free : 0800 212 505 (NZ)
 Fax: +(61) 2 87853 7603
sales@capitalsafety.com.au

CSG Northern Europe

5a Merse Road
 North Moons, Moat
 Reditch, Worcestershire, UK
 B98 9HL
 Phone: +44 (0)1527 548 000
 Fax: +44 (0)1527 591 000
csgne@capitalsafety.com

CSG Asia

Singapore:
 16S, Enterprise Road
 Singapore 627666
 Phone: +65 - 65587758
 Fax: +65 - 65587058
inquiry@capitalsafety.com

Shanghai:

Rm 1406, China Venturetech Plaza
 819 Nan Jing Xi Rd,
 Shanghai 200041, P R China
 Phone: +86 21 62539050
 Fax: +86 21 62539060