

Subject Dropped Object Protection

Region:	USA	Language:	EN	Number :	TB0031	Revision :	B
Total Page:	3	Page n°:	1	First Issue:	10/2014	Rev. Date:	10/08/2014

Some users of fall protection equipment require overhead mounted devices to have a form of secondary retention to prevent the devices dropping and injuring personnel or materials if the primary anchorage point fails. Many industries, including the oil and gas industry, have dropped objects protection policies in place.

Capital Safety supports dropped objects protection efforts. Some of Capital Safety's DBI-SALA and Protecta brand self retracting devices (SRD's) have features that facilitate dropped objects protection. Typically the attachment point on the SRD for dropped objects protection is independent of the primary anchor point used for the fall arrest device, but it is not a requirement by Capital Safety that these points be independent.

Examples of such dropped objects protection features include those shown on the following page.

KEY – reference figure on following page:

A= personal fall arrest device anchor point

B= dropped objects / secondary anchor point

C= connector for personal fall arrest device anchor point

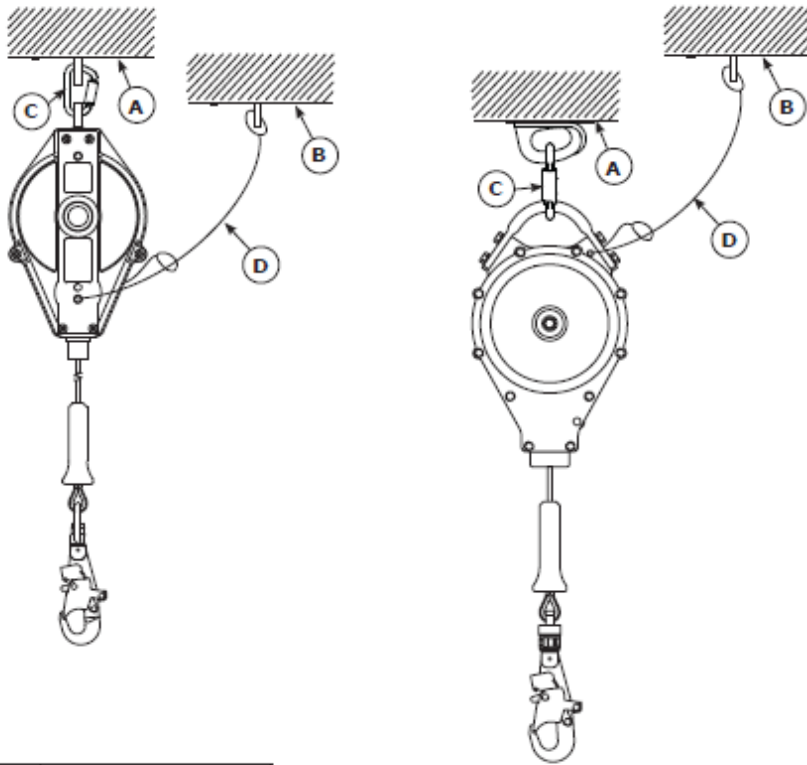
D= cable assembly or similar device for connecting SRD to dropped objects / secondary retention anchor point

If you have any queries of how this will affect you directly please contact our Technical Services Department for assistance: website@capitalsafety.com

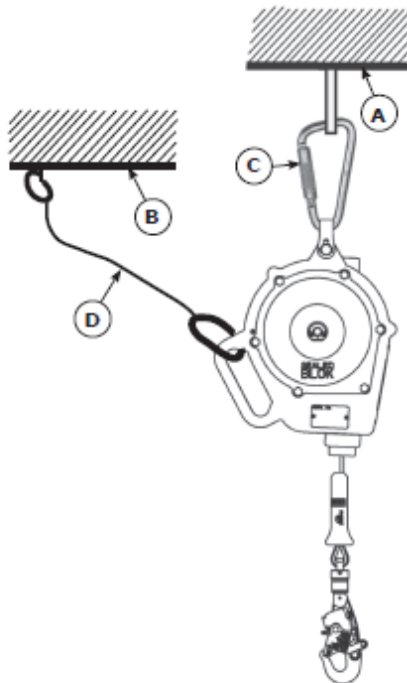


Capital Safety U.S.A
3833 SALA Way
Red Wing, MN 55066-5005
T: +1 (0) 651.388.8282 F: +1 (0)651.388.5065

www.capitalsafety.com



A	Anchorage
B	Secondary Anchor
C	Connector
D	Cable Assembly



If you have any queries of how this will affect you directly please contact our Technical Services Department for assistance: website@capitalsafety.com



Capital Safety U.S.A
3833 SALA Way
Red Wing, MN 55066-5005
T: +1 (0) 651.388.8282 F: +1 (0)651.388.5065

www.capitalsafety.com

Guidelines:

- 1) The dropped objects protection system must be rigged by a competent person.
- 2) The secondary anchor point for the cable or similar connecting device must be secure and comply with any guidelines determined by the user. There are no load or strength requirements for such secondary retention anchor points called out in any personal fall arrest system standards including OSHA, ANSI, CE, AU/NZ or CSA.
- 3) It is recommended that the attachment of the dropped objects protection system (secondary retention) to the SRD be independent of the primary fall protection system attachment point on the SRD.
- 4) The connecting line from the secondary anchor point to the SRD must be as short as possible to limit the fall distance of the SRD and reduce the load on the anchor point.
- 5) The SRD must be properly anchored to the fall arrest system anchor point in accordance with the supplied instructions and applicable standards.
- 6) Use the designated fall protection anchor point location on the SRD to anchor the fall arrest device. See SRD user instruction manual for information on proper anchoring.
- 7) Read and follow all applicable user instructions supplied with the SRD. Contact Capital Safety with any questions about dropped objects protection.

If you have any queries of how this will affect you directly please contact our Technical Services Department for assistance: website@capitalsafety.com



Capital Safety U.S.A
3833 SALA Way
Red Wing, MN 55066-5005
T: +1 (0) 651.388.8282 F: +1 (0)651.388.5065

www.capitalsafety.com