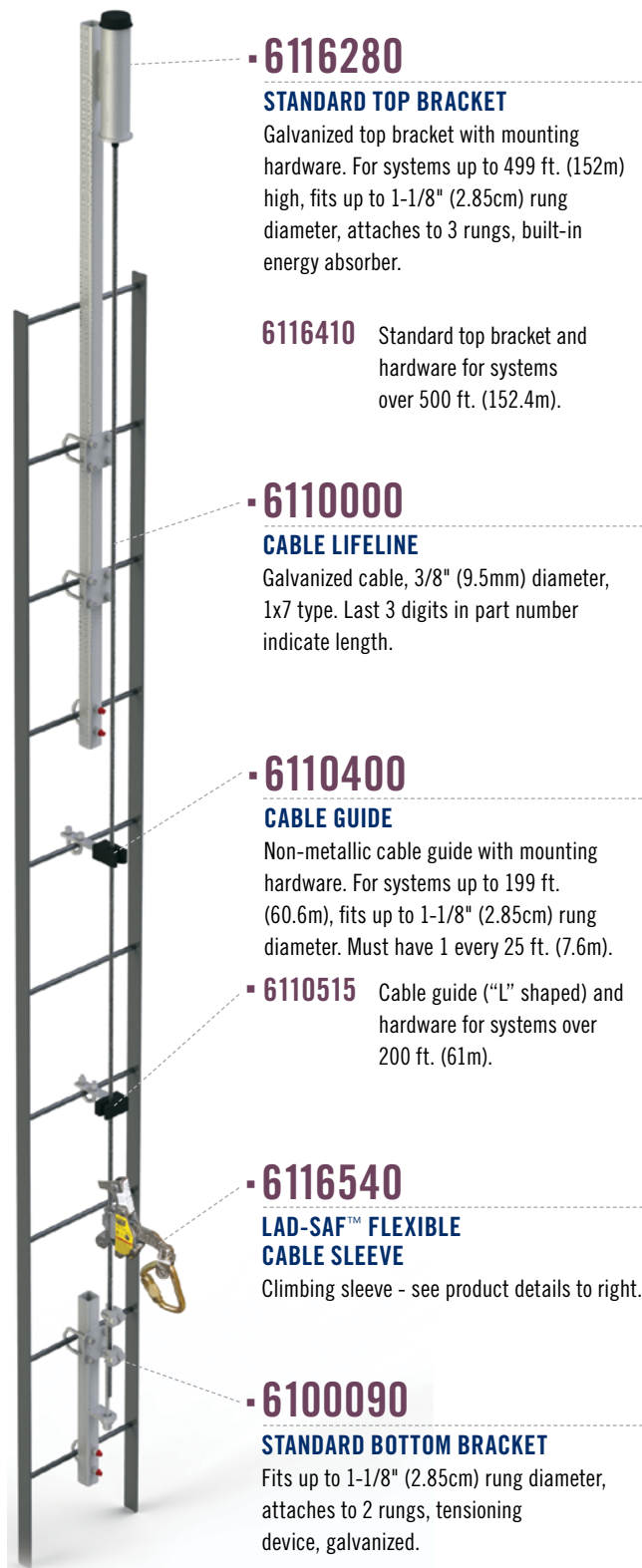




Lad-Saf™ Specification

Standard System
6116280, 6110000,
6100400, 6116540,
6100090



6116280

STANDARD TOP BRACKET

Galvanized top bracket with mounting hardware. For systems up to 499 ft. (152m) high, fits up to 1-1/8" (2.85cm) rung diameter, attaches to 3 rungs, built-in energy absorber.

6116410 Standard top bracket and hardware for systems over 500 ft. (152.4m).

6110000

CABLE LIFELINE

Galvanized cable, 3/8" (9.5mm) diameter, 1x7 type. Last 3 digits in part number indicate length.

6110400

CABLE GUIDE

Non-metallic cable guide with mounting hardware. For systems up to 199 ft. (60.6m), fits up to 1-1/8" (2.85cm) rung diameter. Must have 1 every 25 ft. (7.6m).

6110515 Cable guide ("L" shaped) and hardware for systems over 200 ft. (61m).

6116540

LAD-SAF™ FLEXIBLE CABLE SLEEVE

Climbing sleeve - see product details to right.

6100090

STANDARD BOTTOM BRACKET

Fits up to 1-1/8" (2.85cm) rung diameter, attaches to 2 rungs, tensioning device, galvanized.

Lad-Saf™ Flexible Cable Ladder Safety System

Description:

The Lad-Saf™ flexible cable system consists of a top and bottom bracket that act as anchors for a steel cable that runs the length of the climbing area. A Lad-Saf™ sleeve connects the worker to the system, automatically follows the user during the climb and locks onto the cable in the event of a fall, allowing the user to regain their footing. Designed for ease of use, economy and versatility, optional brackets/designs are available for bolting or welding the system, choose rung clamp sizes/styles, choose systems for straight or curved ladders and for connection to wood, concrete or steel structures.

Features and Benefits:

• **HANDS-FREE CLIMBING AND PROTECTION**

The Lad-Saf™ sleeve automatically follows the user, can be attached anywhere along the cable and locks in the event of a fall.

• **TENSION INDICATOR**

Integrated tension indicating bottom bracket takes the guesswork out of installation.

• **CUSTOMIZABLE**

Hundreds of different brackets, styles and configurations for any application.

• **CORROSION RESISTANT CONSTRUCTION**

Galvanized and stainless steel construction stands up to harsh environments for maintenance free longevity.

• **SHOCK ABSORBING DESIGN**

Integrated shock absorbing top bracket reduces forces imposed on ladder structure during a fall.

• **INTERMEDIATE CABLE GUIDES**

Non-metallic cable guides prevent cable wear against the ladder and permits the climber to bypass without disconnecting.

• **MEETS GLOBAL STANDARDS**

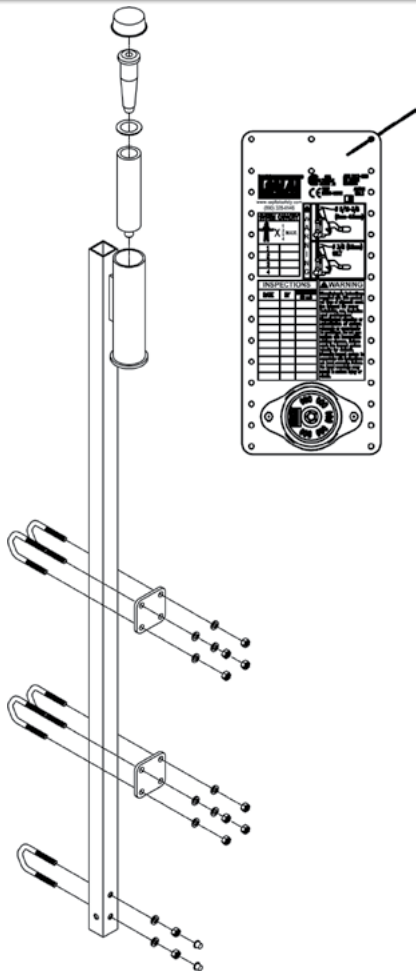
Compliant with OSHA, ANSI A14.3, CSA Z259.1.1. CE EN 353-1:2002 and AS/NZS 1891.3:1997 compliant models also available.

Capital Safety

USA : 800 328 6146 • Canada : 800 387 7484 • Latin America: +1 651 385 4301 • Asia : +65 6558 7758 Australia: 1800 245 002 • New Zealand: 0800 212 505 • Europe, Middle East, Africa : +33 (0)4 97 10 00 10 Northern Europe : +44 (0) 1527 548000 • Germany: +49 (0)30 92 03 83 87 00
www.capitalsafety.com • info@capitalsafety.com

**ISO 9001
REGISTERED**

©2013, Capital Safety



Model: 6116280 Lad-Saf™ Top Bracket

Description:

Standard galvanized top bracket with mounting hardware. For systems up to 499 ft. (152m) high, fits up to 1-1/8" (2.85cm) rung diameter, attaches to 3 rungs, built-in energy absorber.

Features and Benefits:

- **CORROSION RESISTANT CONSTRUCTION**

Galvanized construction stands up to harsh environments for maintenance free longevity.

- **SHOCK ABSORBING DESIGN**

Integrated shock absorbing top bracket reduces forces imposed on ladder structure during a fall. Bracket distributes load over several rungs of ladder.

- **EASY TO INSTALL**

Standard tools installs bracket to ladder. No swaging necessary, system carrier clamp (strandwise) provides easy top bracket cable termination with no tools.

- **I-SAFE™ EQUIPED**

Includes an i-Safe™ radio frequency identification (RFID) to simplify inspection and inventory control and provide records for your fall protection equipment

General Specifications:

- Load Requirements; the top bracket is supplied with three rung connections, the load required for each run for a single user system is 1,125 lbs. (5.0 kN) per rung (3,375 lbs. {15.0 kN}/3) - see details below
- Capacity = 1 to 4 user(s) at 310 lbs. (140.6 kg) each.
- Ladder rung strength requirements for;
 - One user on system; *3,375 lbs. (15.0 kN)
 - Two users on system; *4,350 lbs. (19.3 kN)
 - Three users on system; *5,325 lbs. (23.7 kN)
 - Four users on system; *6,300 lbs. (28.0 kN)
 *includes safety factor
- Size = 1-1/2 inch (3.81 cm) x 62 inches (157.48 cm)
- Weight = 23 lbs. (10.43 kg)
- Standards = Complete system is compliant with OSHA, ANSI A14.3, CSA Z259.1.1. CE EN 353-1:2002 and AS/NZS 1891.3:1997 compliant models also available.

Materials and Construction:

- Galvanized 1-1/2" (3.81 cm) square 11 gauge hot rolled ASTM-A-500 Grade B tube
- Galvanized 2" SCH. 40 pipe
- SAE Grade 2, U-bolt galvanized per ASTM-A-153
- Elastomeric impact attenuator
- Carrier clamp (cable grip strandwise)
- Stainless steel system label with i-Safe™ RFID tag

Associated Products:

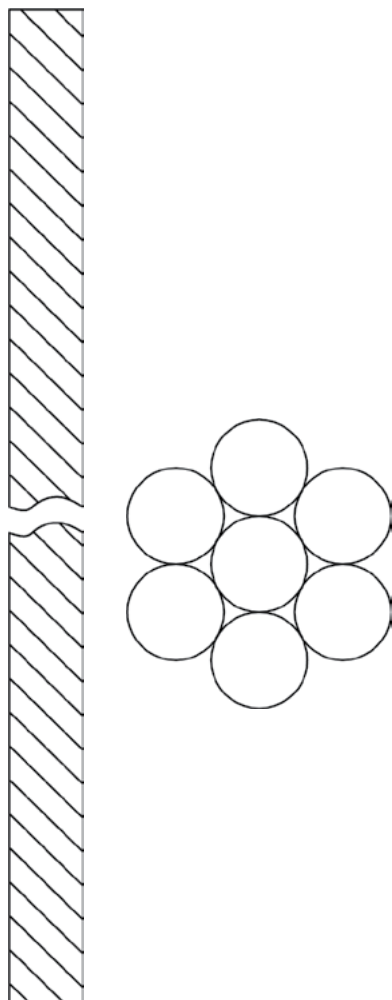
- Must use as part of a complete Lad-Saf™, the following is a list of standard components;
 - 6116280 Top Bracket, 6110000 Cable Lifeline, 6100400 Cable Guide, 6116540 Lad-Saf™ Flexible Cable Sleeve, 6100090 Bottom Bracket

Capital Safety

USA : 800 328 6146 • Canada : 800 387 7484 • Latin America: +1 651 385 4301 • Asia : +65 6558 7758 Australia: 1800 245 002 • New Zealand: 0800 212 505 • Europe, Middle East, Africa : +33 (0)4 97 10 00 10 Northern Europe : +44 (0) 1527 548000 • Germany: +49 (0)30 92 03 83 87 00
www.capitalsafety.com • info@capitalsafety.com

**ISO 9001
REGISTERED**

©2013, Capital Safety



Model: 6110000 Lad-Saf™ Cable Lifeline

Description:

3/8" (9.5 mm) diameter 1x7 strand (standard) type, extra high strength solid core cable lifeline. NOTE: When ordering, the last three digits in the part number detail length (ex. 6110100 is a 100 ft {30.5 m} length).

Features and Benefits:

- **DURABLE HIGH STRENGTH STEEL CONSTRUCTION**

High strength 15,400 lb. (68.5 kN) solid core steel construction for maximum durability, longevity and added safety.

- **1 X 7 STRAND TYPE**

Larger strands are less susceptible to damage, wear and tear providing added longevity - also incorporate a thicker layer of galvanizing for added corrosion resistance.

- **CORROSION RESISTANT CONSTRUCTION**

Galvanized construction stands up to harsh environments for maintenance free longevity.

General Specifications:

- Cable Size: 3/8" (9.5 mm) diameter 1x7 strand
- Cable Grade: Extra high strength solid core
- Length: Per customer requirements
- Weight = 0.27 lbs. per foot (0.12 kg/ft)
- Standards = Complete system is compliant with OSHA, ANSI A14.3, CSA Z259.1.1. CE EN 353-1:2002 and AS/NZS 1891.3:1997 compliant models also available.

Materials and Construction:

- Galvanized 3/8" diameter (9.5mm) 1x7 strand
- Preformed, left regular lay, in accordance with wire rope and strand ASTM A475
- Lubrication: Dry
- Breaking Strength: 15,400 lbs. minimum (68.5 kN)

Associated Products:

- Must use as part of a complete Lad-Saf™, the following is a list of standard components;
 - 6116280 Top Bracket, 6110000 Cable Lifeline, 6100400 Cable Guide, 6116540 Lad-Saf™ Flexible Cable Sleeve, 6100090 Bottom Bracket

Capital Safety

USA : 800 328 6146 • Canada : 800 387 7484 • Latin America: +1 651 385 4301 • Asia : +65 6558 7758 Australia: 1800 245 002 • New Zealand: 0800 212 505 • Europe, Middle East, Africa : +33 (0)4 97 10 00 10 Northern Europe : +44 (0) 1527 548000 • Germany: +49 (0)30 92 03 83 87 00
www.capitalsafety.com • info@capitalsafety.com

**ISO 9001
REGISTERED**

©2013, Capital Safety

Model: 6100400
Lad-Saf™ Cable Guide

Description:

Non-metallic cable guide with mounting hardware. For systems up to 199 ft. (60.6m), fits up to 1-1/8" (2.85cm) rung diameter. Must have 1 every 25 ft. (7.6m).

Features and Benefits:

• **INTERMEDIATE CABLE GUIDE**

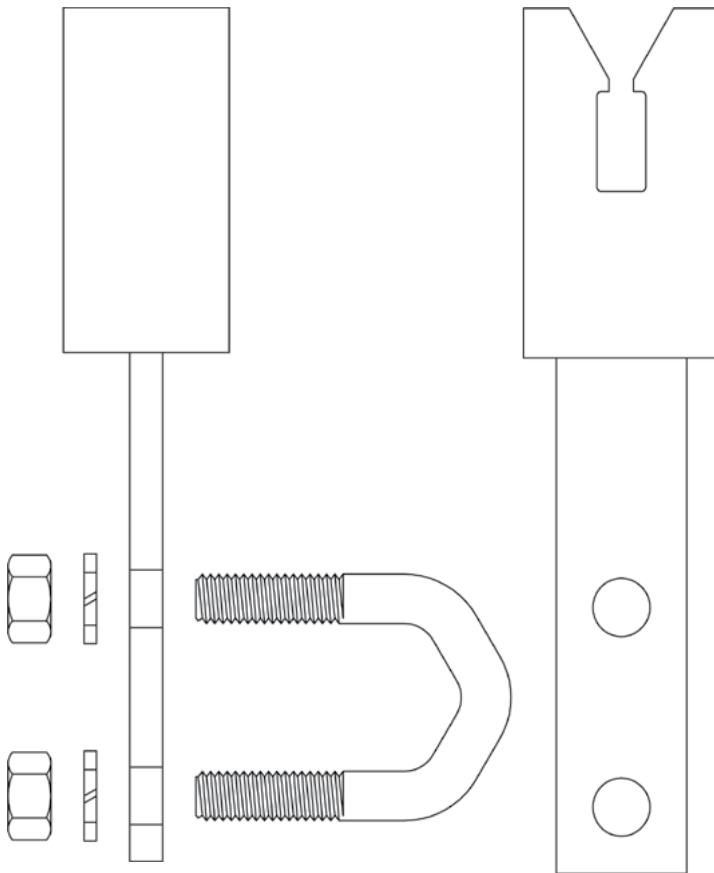
Prevents cable wear against the ladder and permits the climber to bypass without disconnecting.

• **NON-METALIC DESIGN**

Prevents metal-to-metal contact and abrasion, cable rests in guide slot and does not rub on abrasive objects.

• **EASY TO INSTALL**

Standard tools installs bracket to ladder. Complete with necessary fastening hardware.



General Specifications:

- Molded polyurethane elastomer guide with steel fastening hardware
- Protects cable from rubbing on abrasive objects
- Slight body pressure releases cable from guide and allows climber to pass by
- One cable guide is positioned approximately every 25 feet of length of system (7.6 m)
- Size = 6.875 inches (17.5 cm) x 1.25" (3.17 cm)
- Weight = 0.70 lbs. (0.32 kg)
- Standards = Complete system is compliant with OSHA, ANSI A14.3, CSA Z259.1.1. CE EN 353-1:2002 and AS/NZS 1891.3:1997 compliant models also available.

Materials and Construction:

- Guide Material: Urethane - TU 901 or equivalent
- Bar Material: 1/4 inch x 1 inch (0.635 cm x 2.54 cm) HR steel
- Galvanized bar per ASTM A123/A123M or A153/A153M

Associated Products:

- Must use as part of a complete Lad-Saf™, the following is a list of standard components;
 - 6116280 Top Bracket, 6110000 Cable Lifeline, 6100400 Cable Guide, 6116540 Lad-Saf™ Flexible Cable Sleeve, 6100090 Bottom Bracket

Capital Safety

USA : 800 328 6146 • Canada : 800 387 7484 • Latin America: +1 651 385 4301 • Asia : +65 6558 7758 Australia: 1800 245 002 • New Zealand: 0800 212 505 • Europe, Middle East, Africa : +33 (0)4 97 10 00 10 Northern Europe : +44 (0) 1527 548000 • Germany: +49 (0)30 92 03 83 87 00
www.capitalsafety.com • info@capitalsafety.com

ISO 9001
REGISTERED

©2013, Capital Safety



Model: 6116540 Lad-Saf™ Flexible Cable Sleeve

Description:

The Lad-Saf™ sleeve (fall arrester) is designed to be used as part of a complete personal fall arrest ladder safety system. It provides a portable connection point to a ladder safety system. The sleeve is easily attached or removed anywhere along the cable and automatically follows you as you climb or descend. In the event of a fall, the device locks onto the cable lifeline allowing you to regain your footing and continue to climb.

Features and Benefits:

- **HANDS-FREE CLIMBING**

The Lad-Saf™ sleeve automatically follows the user during ascent or descent.

- **EASY TO INSTALL AND DETACHABLE**

One-handed attachment/removal from cable for fast, easy and safe connections. The sleeve can be attached anywhere along the cable for added versatility.

- **LOCKING SYSTEM**

Cam locking system locks within inches in the event of a fall, and a built-in gravity lock prevents unintentional installation upside down for added safety.

- **COMPACT AND CORROSION RESISTANT**

Compact and lightweight design has a stainless steel construction for added durability and longevity.

General Specifications:

- For use with 3/8 inch (9.5 mm) or 5/16 inch (8 mm) diameter 1x7 or 7x19 solid core cable
- Capacity = 1 user of 310 lbs. (140.6 kg)
- Cam locking system with gravity latch
- Size = 5-1/2 inches (14 cm) x 5-1/2 inches (14 cm)
- Weight = 2.2 lbs. (1.0 kg)
- Standards = Complete system is compliant with OSHA, ANSI A14.3, CSA Z259.1.1. CE EN 353-1:2002 and AS/NZS 1891.3:1997 compliant models also available.

Materials and Construction:

- Body: Type 17-4 PH stainless steel, heat treated
- Rivets: Type 430 stainless steel
- Shaft and Brake Shoe: Type 17-4 PH stainless steel
- Bushing: Bronze
- Springs: Stainless steel
- Side Plates and Ext. Pieces: Type 304 stainless steel
- Construction: Riveted assembly

Associated Products:

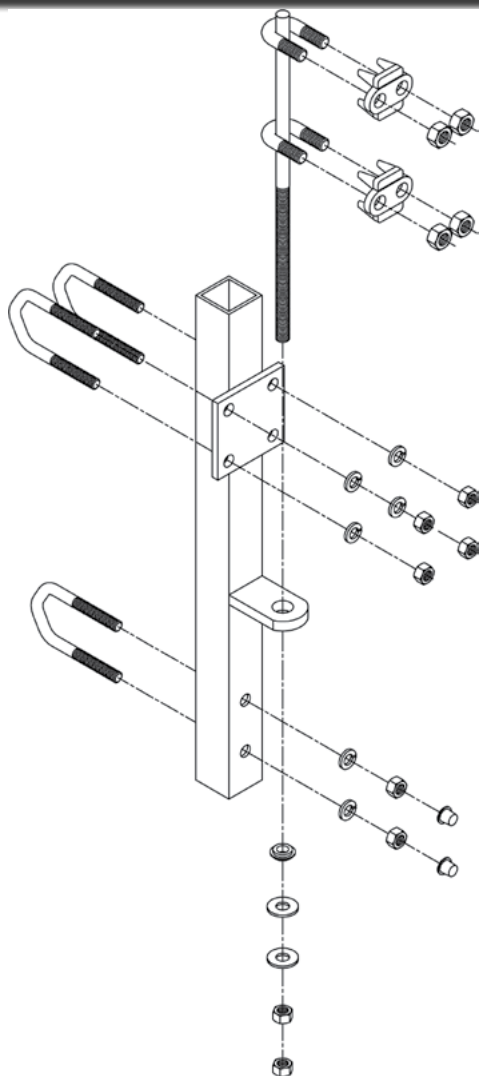
- Must use as part of a complete Lad-Saf™, the following is a list of standard components;
 - 6116280 Top Bracket, 6110000 Cable Lifeline, 6100400 Cable Guide, 6116540 Lad-Saf™ Flexible Cable Sleeve, 6100090 Bottom Bracket

Capital Safety

USA : 800 328 6146 • Canada : 800 387 7484 • Latin America: +1 651 385 4301 • Asia : +65 6558 7758 Australia: 1800 245 002 • New Zealand: 0800 212 505 • Europe, Middle East, Africa : +33 (0)4 97 10 00 10 Northern Europe : +44 (0) 1527 548000 • Germany: +49 (0)30 92 03 83 87 00
www.capitalsafety.com • info@capitalsafety.com

**ISO 9001
REGISTERED**

©2013, Capital Safety



Model: 6100090 Lad-Saf™ Bottom Bracket

Description:

Standard galvanized bottom bracket with mounting hardware. Fits up to 1-1/8" (2.85cm) rung diameter, attaches to 2 rungs, built-in tensioning device.

Features and Benefits:

- **CORROSION RESISTANT CONSTRUCTION**

Galvanized construction stands up to harsh environments for maintenance free longevity.

- **INTEGRATED CABLE TENSION SYSTEM**

Integrated cable lifeline adjustment system provides a fast, easy and visual indication of a properly tensioned system.

- **EASY TO INSTALL**

Standard tools installs bracket to ladder. No swaging necessary, carrier cable tensioner and saddle clips provide easy bottom bracket cable termination.

General Specifications:

- Simple bolt and clamp plate fasteners install bracket to 2 rungs of ladder
- Bottom bracket should be positioned to allow user(s) safe access when connecting/disconnecting from the system
- Bottom bracket must be mounted in-line (vertically) with the top bracket (6116280)
- Size = 1-1/2 inch (3.81 cm) x 19 inches (48.26 cm)
- Weight = 8 lbs. (3.63 kg)
- Standards = Complete system is compliant with OSHA, ANSI A14.3, CSA Z259.1.1. CE EN 353-1:2002 and AS/NZS 1891.3:1997 compliant models also available.

Materials and Construction:

- Galvanized 1-1/2" (3.81 cm) square 11 gauge hot rolled ASTM-A-500 Grade B tube
- Fasteners: U-bolts, nuts and washers are galvanized per ASTM-A-153

Associated Products:

- Must use as part of a complete Lad-Saf™, the following is a list of standard components;
 - 6116280 Top Bracket, 6110000 Cable Lifeline, 6100400 Cable Guide, 6116540 Lad-Saf™ Flexible Cable Sleeve, 6100090 Bottom Bracket

Capital Safety

USA : 800 328 6146 • Canada : 800 387 7484 • Latin America: +1 651 385 4301 • Asia : +65 6558 7758 Australia: 1800 245 002 • New Zealand: 0800 212 505 • Europe, Middle East, Africa : +33 (0)4 97 10 00 10 Northern Europe : +44 (0) 1527 548000 • Germany: +49 (0)30 92 03 83 87 00
www.capitalsafety.com • info@capitalsafety.com

**ISO 9001
REGISTERED**

©2013, Capital Safety